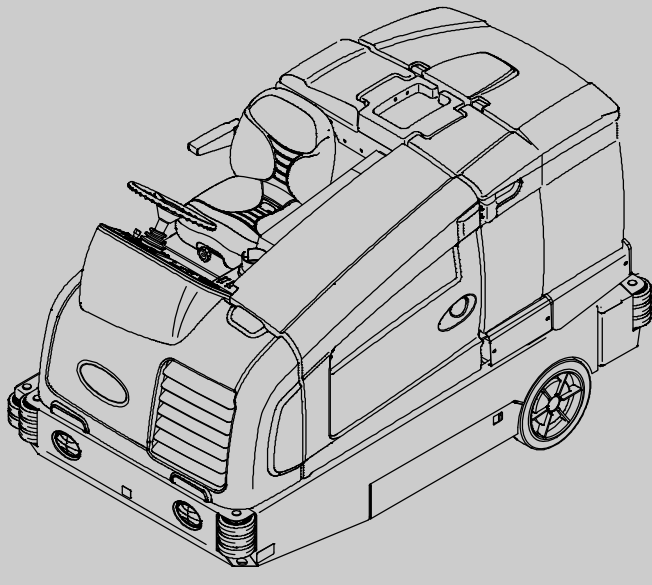




T20

(Gas/LPG)

Rider Scrubber Parts Manual



The Safe Scrubbing Alternative[®]

ES[®] Extended Scrub System

TennantTrue[®] Parts

Hygenic[®] Fully Cleanable Tanks

FloorSmart[®] Integrated Cleaning System

IRIS[®] a Tennant Technology



North America / International



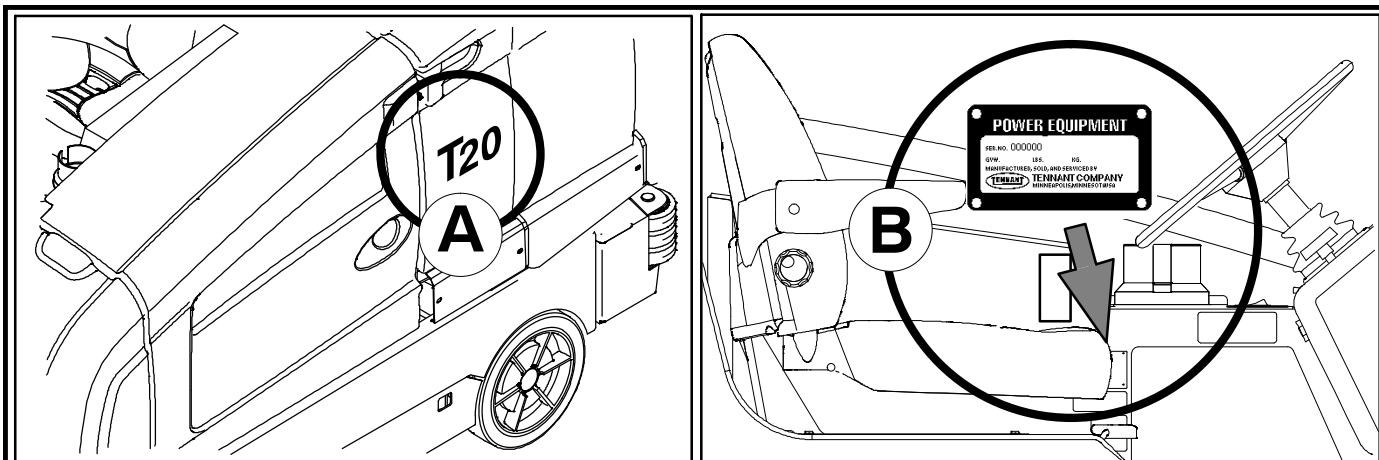
For the latest Parts manuals and other
language Operator manuals, visit:

www.tennantco.com/manuals

331471

Rev. 18 (5-2016)





Ref	Part No.	Serial Number	Description	Qty.
1	82681	(000000—)	Bracket Wldt, Lpg Mount	1
2	63810	(000000—)	Latch Assy, Lpg Tank Mtg, W/Nut	4
3	51839	(000000—)	Nut Adjustable, Lpg Tank Mtg	2
4	49263	(000000—)	Tie, Cable	3
5	82556	(000000—001039)	Bracket, Vaporizer	1
6	54930	(000000—)	Vaporizer, LPG	1

HOW TO ORDER PARTS – See diagram above

Only use TENNANT Company supplied or equivalent parts. Parts and supplies may be ordered online, by phone, by fax or by mail.

Follow the steps below to ensure prompt delivery.

1. **(A)** Identify the machine model.
2. **(B)** Identify the machine serial number from the data plate.
3. **(C)** Ensure the proper serial number is used from the parts list.
4. Identify the part number and quantity. Do not order by page or reference numbers.
5. Provide your name, company name, customer ID number, billing and shipping address, phone number and purchase order number.
6. Provide detail shipping instructions.

(D) ▽ – Identifies an assembly
 ▲ – Identifies parts included in assembly

Please fill out at time of installation for future reference.

Model No. – _____

Serial No. – _____

Machine Options – _____

Sales Rep. – _____

Sales Rep. phone no. – _____

Customer ID Number – _____

Installation Date – _____

Tennant Company
 PO Box 1452
 Minneapolis, MN 55440
 Phone: (800) 553-8033 or (763) 513-2850
 www.tennantco.com

Thermo-Sentry, Touch-N-Go, 1-STEP, Clean-Wedge, Variable Drain Valve, EasyOpen, Grip-N-Go, MaxPro2, Dura-Track, SmartRelease, InstantAccess, Duramer, FaST-PAK, ErgoSpace and Lower Total Cost of Ownership are trademarks of Tennant Company.

Specifications and parts are subject to change without notice.

Original Information, copyright © 2006 – 2016 TENNANT Company, Printed in U.S.A.

CN	<p>如何订购部件 - 参见下表</p> <p>仅使用 TENNANT 公司提供的或同等部件。部件和供应可以在线订购，通过电话、传真或邮件订购。请遵循下面的步骤确保及时交付。</p> <ol style="list-style-type: none"> 1. (A) 确定机器型号。 2. (B) 从数据标签确定机器序列号。 3. (C) 确保使用部件列表中的正确序列号。 4. 确定部件号和数量。 不要按页面或参考编号订购。 5. 提供您的姓名、公司名称、客户 ID 号、付帐和送货地址、电话号码和采购单编号。 6. 提供详细的送货说明。 <hr/> <p>(D) ▽ - 确定组件 ▲ - 确定组件中包含的组件</p>	<p>请在安装时填写供未来参考。</p> <p>型号 - _____</p> <p>序列号 - _____</p> <p>机器选项 - _____</p> <p>销售代表 - _____</p> <p>销售代表电话号码 - _____</p> <p>客户 ID 编号 - _____</p> <p>安装日期 - _____</p>
-----------	--	--

ES	<p>CÓMO SOLICITAR PIEZAS - Consulte el diagrama anterior.</p> <p>Utilice sólo las piezas suministradas por TENNANT Company o piezas equivalentes. Puede solicitar las piezas a través de internet, por teléfono, por fax o por correo.</p> <p>Siga los siguientes pasos para que la entrega sea rápida.</p> <ol style="list-style-type: none"> 1. (A) Indique el modelo de máquina. 2. (B) Indique el número de serie de la etiqueta de datos. 3. (C) Asegúrese de que indica el número de serie correcto de la lista de piezas. 4. Indique la cantidad y el número de la pieza. No realice el pedido indicando el número de página o el de referencia. 5. Incluya su nombre, el nombre de la empresa, el ID de cliente, las direcciones de envío y facturación, el número de teléfono y el número del pedido de compra. 6. Facilite instrucciones de envío. <hr/> <p>(D) ▽ - identifica un conjunto ▲ - identifica piezas de un conjunto</p>	<p>Rellene estos datos cuando realice la instalación para utilizarlos como referencia en el futuro.</p> <p>Nº modelo - _____</p> <p>Nº serie - _____</p> <p>Opciones de la máquina - _____</p> <p>Vendedor - _____</p> <p>Nº teléfono vendedor - _____</p> <p>Nº cliente - _____</p> <p>Fecha de instalación - _____</p>
-----------	--	---

FR	<p>COMMENT COMMANDER DES PIÈCES DÉTACHÉES - Voir le schéma ci-dessus.</p> <p>Utilisez uniquement des pièces fournies par la société TENNANT ou équivalentes. Les pièces et fournitures peuvent être commandées en ligne, par téléphone, fax, ou par courrier.</p> <p>Suivez les étapes ci-dessous pour assurer une livraison rapide.</p> <ol style="list-style-type: none"> 1. (A) Identifiez le modèle de la machine. 2. (B) Identifiez le numéro de série de la machine, à partir de l'étiquette signalétique. 3. (C) Assurez-vous que le numéro de série correct est utilisé à partir de la liste de pièces détachées. 4. Identifiez le numéro de pièce et la quantité. Ne commandez pas par page ou numéros de référence. 5. Fournissez votre nom, le nom de votre société, votre numéro d'identification de client, l'adresse de facturation et d'expédition, le numéro de téléphone et le numéro du bon de commande. 6. Fournissez des instructions d'expédition détaillées. <hr/> <p>(D) ▽ - identifie un assemblage ▲ - identifie les pièces composant l'assemblage</p>	<p>A remplir au moment de l'installation à titre de référence.</p> <p>Nº du modèle - _____</p> <p>Nº de série - _____</p> <p>Options de la machine - _____</p> <p>Agent commercial - _____</p> <p>Nº tél. de l'agent commercial - _____</p> <p>Numéro d'identification client - _____</p> <p>Date d'installation - _____</p>
-----------	--	---

JP	<p>パーツの発注方法 ? 上記の図を参照してください</p> <p>TENNANT社製のパーツまたは同等品のみをお使いください。パーツやサプライ品のご注文は、オンライン、電話、FAX、または手紙でお願いいたします。確実にお届けできるように、以下の情報お知らせください。</p> <ol style="list-style-type: none"> 1. (A) 製品のモデル名をお知らせください。 2. (B) 製品のデータラベルに印刷されているシリアル番号をお知らせください。 3. (C) パーツリストを参照して、シリアル番号が正しいかご確認ください。 4. パーツ番号と数量をお知らせください。マニュアル/カタログのページ番号や参照番号でのご注文はご遠慮ください。 5. お客様のお名前、会社名、顧客ID番号、請求/発送先住所、電話番号、注文書番号をお知らせください。 6. 発送に関するご希望があれば、明記してください。 <hr/> <p>(D) ▽ - アセンブリを示します ▲ - アセンブリに含まれるパーツを示します</p>	<p>後日確認できるように、設置時に記入してください。</p> <p>モデルNo. - _____</p> <p>シリアルNo. - _____</p> <p>製品のオプション - _____</p> <p>販売代理店 - _____</p> <p>販売代理店の電話番号 - _____</p> <p>顧客ID番号 - _____</p> <p>設置日 - _____</p>
-----------	---	---

GENERAL RECOMMENDED MAINTENANCE

General Recommended Maintenance Items

Ref.	Part No.	Serial Number	Description	Qty.
▽	9002553	(000000- 004999)	Maint Kit, Gas, 400hr[M20/T20]	1
▲	372575	(000000- 004999)	Sparkplug [Gm]	4
▲	369746	(000000- 004999)	Element, Fltr, Air [Dn]	1
▲	372440	(000000- 004999)	Filter, Fuel [Gm 1.6l/3.0l]	1
▽	9002554	(000000- 002140)	Maint Kit, Lpg, 400hr[M20/T20]	1
▲	372575	(000000- 002140)	Sparkplug [Gm]	4
▲	369746	(000000- 002140)	Element, Fltr, Air [Dn]	1
▲	372615	(000000- 002140)	Filter Kit, Fuelock, Lpg	1
▽	9007382	(002141- 004999)	Maint Kit, 400hr [M20/T20/M30 Lpg 2010]	1
▲	372575	(002141- 004999)	Sparkplug [Gm, 1pick=1plug]	4
▲	369746	(002141- 004999)	Element, Fltr, Air [Dn]	1
▲	9007380	(002141- 004999)	Filter Kit, Fuelock, Lpg	1
▽	9002555	(000000-)	Maint Kit, Gas, 800hr[M20/T20]	1
▲	31613	(000000-)	Strainer, Hyd, 25 Gpm 100 Mesh	1
▲	25122	(000000-)	Cap, Breather, Hyd, 2.4 Ds	1
▲	1021579	(000000-)	Filter Assy, Hyd, 10mic	1
▲	372440	(000000-)	Filter, Fuel [Gm 1.6l/3.0l]	1
▽	9002613	(000000- 002140)	Maint Kit, Lpg, 800hr[M20/T20]	1
▲	31613	(000000- 002140)	Strainer, Hyd, 25 Gpm 100 Mesh	1
▲	25122	(000000- 002140)	Cap, Breather, Hyd, 2.4 Ds	1
▲	1021579	(000000- 002140)	Filter Assy, Hyd, 10mic	1
▲	372615	(000000- 002140)	Filter Kit, Fuelock, Lpg	1
▽	9007381	(002141-)	Maint Kit, 800hr [M20/T20/M30 Lpg 2010]	1
▲	31613	(002141-)	Strainer, Hyd, 025gpm 100mesh 03psi	1
▲	25122	(002141-)	Cap, Breather, Hyd, 2.4 Ds	1
▲	1021579	(002141-)	Filter Assy, Hyd, 10mic	1
▲	9007380	(002141-)	Filter Kit, Fuelock, Lpg	1
	371972	(000000- 004999)	Element, Fltr, Oil, Eng, Spin- On (GM)	1
	393982	(005000-)	Element, Fltr, Oil, Spin- On (Mits)	1
	1027290	(000000-)	Filter, Soltn, 20mesh, Pm12 3.1d 02.6l	1
	87866	(000000-)	Key, Ignition [Set Of 2]	1
	10137	(000000-)	Battery, Wet, 12vdc 0475cca	1
	20833	(000000-)	Wheel, 3.0d 1.38w 0.50b	2
	1033644	(000000-)	Belt, Ribbed, 38.5l	1
	1024586	(000000-)	Skirt, Neo, .06, 06.85w 27.95l, 08 Hole	2
	1019295	(000000-)	Skirt, Neo, .18, 10.37w 27.95l, 12 H&S	2
	1020166	(000000-)	Skirt, Neo, .06, 12.00w 45.88l, 07 Hole	1
	1028433	(000000-)	Skirt, Front, Disk Head	1
	1017868	(000000-)	Blade, Sqge, Front [Linard]	1
	1031331	(000000-)	Blade, Sqge, Rear, Linatex	1
	83874	(000000-)	Gasket, Sqge	2
	1031011	(000000-)	Blade, Sqge, 37.08l Linatex	2
	1027719	(000000-)	Blade, Sqge, Front, 49.59l Pyu	1
	1031945	(000000-)	Blade, Sqge, Rear, 53.78L Pyu	1
	1031823	(000000-)	Blade, Sqge, .38 3.55w 038.3l, Ure	2
	9010622	(005000- 006168)	Plug, Spark	4
	9014160	(006169-)	Plug, Spark	4

GENERAL RECOMMENDED MAINTENANCE

NA

General Recommended Maintenance Items

Ref.	Part No.	Serial Number	Description	Qty.
	1027716	(000000-002115)	Squeegee Assy, Sba, Ure	1
	1059091	(002116-) Blade, Sqge, Side Brush, Urethane	1
	1059092	(002116-) Blade, Sqge, Side Brush, Urethane	1
	1025005	(000000-002115)	Squeegee Assy, Sba, Linatex	1
	1046980	(002116-) Blade, Sqge, Side Brush, Linatex	1
	1047238	(002116-) Blade, Sqge, Side Brush, Linatex	1
	84597	(000000-) Tire Assy, Solid, 18.0x6.0 4.5bc/5bolt	1
	16411	(000000-) Paint, Airdry, Off-White, 12oz	1
	16412	(000000-) Paint, Airdry, Teal, 12oz, Solid	1
	377540	(000000-) Paint, Airdry, Blk, 12oz	1
	377538	(000000-) Paint, Airdry, Gray, 12oz [Enamel]	1
	377537	(000000-) Paint, Airdry, Iron Gray,12oz[Pwdr Coat]	1
	1057710	(000000-) Oil, Hyd [El, Iso 100, 01gal]	1
	1057711	(000000-) Oil, Hyd [El, Iso 100, 05gal]	1
	1069019	(000000-) Oil, Hyd [El, Iso 68, 01gal]	1
	1069020	(000000-) Oil, Hyd [El, Iso 68, 05gal]	1
	1057707	(000000-) Oil, Hyd [El, Iso 32, 01gal]	1
	1057708	(000000-) Oil, Hyd [El, Iso 32, 05gal]	1

SECTION 2

Contents	Page
Fig. 1 – Brushes, Replacement, Scrub Head	2-4
Fig. 2 – Brushes, Replacement, Side Brush	2-7
Fig. 3 – Main Frame Group	2-10
Fig. 4 – Operator Station Group	2-12
Fig. 5 – Operator Station Insulation Group	2-14
Fig. 6 – Instrument Panel Group	2-16
Fig. 7 – Seat Group	2-18
Fig. 8 – Steering Group	2-20
Fig. 9 – Front Cover Group	2-22
Fig. 10 – Engine Cover Group	2-24
GM Engine	Page
Fig. 11 – GM Engine and Mount Group (000000–004999)	2-26
Fig. 12 – GM Engine EFI Group, Gasoline (000000–001499)	2-28
Fig. 13 – GM Engine EFI Group, Gasoline (001500–002140)	2-30
Fig. 14 – GM Engine EFI Group, Gasoline (002141–004999)	2-32
Fig. 15 – GM Engine EFI Group, LPG (000000–001499)	2-34
Fig. 16 – GM Engine EFI Group, LPG (001500–004999)	2-38
Fig. 17 – GM Engine Vaporizer Group, LPG (001500–002140)	2-40
Fig. 18 – GM Engine Vaporizer Group, LPG (002141–004999)	2-42
Fig. 19 – GM Engine Air Cleaner Group, Gasoline (000000–001499)	2-44
Fig. 20 – GM Engine Air Cleaner Group, Gasoline (001500–004999)	2-46
Fig. 21 – GM Engine Air Cleaner Group, LPG (000000–001499)	2-48
Fig. 22 – GM Engine Air Cleaner Group, LPG (001500–004999)	2-50
Fig. 23 – GM Engine Alternator and Fan Group (000000–004999)	2-52
Fig. 24 – GM Engine Muffler Group (000000–001499)	2-54
Fig. 25 – GM Engine Muffler Group (001500–004999)	2-56
Fig. 26 – GM Engine Radiator Group (000000–002092)	2-58
Fig. 27 – GM Engine Radiator and Mount Group (002093–004999)	2-62
Fig. 28 – GM Engine Radiator Hose Group (002093–004999)	2-64
Mitsubishi Engine	Page
Fig. 29 – Mitsubishi Engine and Mount Group, Gas (005000–)	2-66
Fig. 30 – Mitsubishi Engine and Mount Group, LPG (005000–)	2-68

Mitsubishi Engine	Page
Fig. 31 – Mitsubishi Engine EFI Group, Gasoline (005000–)	2-70
Fig. 32 – Mitsubishi Engine EFI Group, LPG (005000–)	2-72
Fig. 33 – Mitsubishi Engine Air Cleaner Group, Gasoline (005000–)	2-74
Fig. 34 – Mitsubishi Engine Air Cleaner Group, LPG (005000–)	2-76
Fig. 35 – Mitsubishi Engine Alternator and Fan Group (005000–)	2-78
Fig. 36 – Mitsubishi Engine Muffler Group (005000–)	2-80
Fig. 37 – Mitsubishi Engine Radiator and Mount Group (005000–)	2-82
Fig. 38 – Mitsubishi Engine Radiator Hose Group (005000–)	2-84
Contents	Page
Fig. 39 – Engine Fuel Tank Group, Gasoline (000000–001499)	2-86
Fig. 40 – Engine Fuel Tank Group, Gasoline (001500–)	2-88
Fig. 41 – Engine Fuel Tank Group, LPG	2-90
Fig. 42 – Battery and Electrical Group	2-92
Fig. 43 – Wheel Group, Front Drive	2-94
Fig. 44 – Wheel Group, Rear	2-96
Fig. 45 – Brake Pedal Linkage Group	2-98
Fig. 46 – Directional Pedal Group	2-100
Fig. 47 – Hydraulic Pump Linkage Group	2-102
Fig. 48 – Cylindrical Scrub Brush Drive Group, Left Side	2-104
Fig. 49 – Cylindrical Scrub Brush Drive Group, Right Side	2-106
Fig. 50 – Cylindrical Scrub Brush Head Lift Group	2-108
Fig. 51 – Cylindrical Brush Head Skirt Group	2-110
Fig. 52 – Disk Scrub Head Drive Motor Group	2-112
Fig. 53 – Disk Scrub Head Lift Group	2-114
Fig. 54 – Rear Squeegee Lift Group	2-116
Fig. 55 – Squeegee Group, Rear	2-118
Fig. 56 – Cylindrical Scrub Head Debris Tray Mount Group	2-120
Fig. 57 – Cylindrical Scrub Head Debris Tray Group	2-122
Fig. 58 – Squeegee Linkage Group, Rear	2-124
Fig. 59 – Cylindrical Scrub Head Squeegee Group, Right Side	2-126
Fig. 60 – Squeegee Lift Group, Right Side	2-128
Fig. 61 – Cylindrical Scrub Head Squeegee Group, Left Side	2-130
Fig. 62 – Squeegee Lift Group, Left Side	2-132
Fig. 63 – Solution Tank Group	2-134
Fig. 64 – Solution Tank Drain Group	2-138

STANDARD PARTS

Contents	Page
Fig. 65 – Solution Control Group, Cylindrical Scrub Head	2-140
Fig. 66 – Solution Control Group, Disk Scrub Head	2-142
Fig. 67 – Recovery Tank Group	2-144
Fig. 68 – Recovery Tank Drain Group	2-146
Fig. 69 – Vacuum Fan Group, Scrubbing (000000–005892)	2-148
Fig. 70 – Vacuum Fan Group, Scrubbing (005893–)	2-150
Fig. 71 – Hydraulic Schematic (000000–001503)	2-152
Fig. 72 – Hydraulic Schematic (001504–002282)	2-154
Fig. 73 – Hydraulic Schematic (002283–)	2-156
Fig. 74 – Hydraulic Hose Group, Steering and Propel	2-158
Fig. 75 – Hydraulic Hose Group, Pump and Vacuum Fan	2-160
Fig. 76 – Hydraulic Hose Group, Cylindrical Brush	2-162
Fig. 77 – Hydraulic Hose Group, Disk Brush	2-164
Fig. 78 – Hydraulic Hose Group, Squeegee Lift	2-166
Fig. 79 – Hydraulic Pumps Group	2-168
Fig. 80 – Hydraulic Cooler and Tubes Group	2-170
Fig. 81 – Hydraulic Reservoir Group	2-172
Fig. 82 – Hydraulic Valve Group	2-174
GM Engine	Page

Fig. 83 – GM Electrical Schematic (000000–001499)	2-176
Fig. 84 – GM Electrical Schematic (001500–001742)	2-180
Fig. 85 – GM Electrical Schematic (001743–004999)	2-184
Fig. 86 – GM Electrical Schematic, Gasoline/LPG Engine Harness (000000–001499)	2-190
Fig. 87 – GM Electrical Schematic, Gas Engine Harness (001500–002140)	2-192
Fig. 88 – GM Electrical Schematic, Gas Engine Harness (002141–004999)	2-194
Fig. 90 – GM Electrical Schematic, LPG Engine Harness (002141–004999)	2-198

Mitsubishi Engine	Page
Fig. 91 – Mitsubishi Electrical Schematic (005000–)	2-200
Fig. 92 – Mitsubishi Electrical Schematic, Gas Engine Harness (005000–)	2-208
Fig. 93 – Mitsubishi Electrical Schematic, LPG Engine Harness (005000–)	2-210

Contents	Page
Fig. 94 – Electrical Wire Harness Group, Main	2-212
Fig. 95 – Electrical Wire Harness Group, Headlight	2-220
Fig. 96 – Electrical Wire Harness Group, Gasoline/LPG Engine	2-221
Fig. 97 – Electrical Wire Harness Group, Gasoline/LPG Engine Adapter Harness without Telemetry	2-226
Fig. 98 – Label Group	2-227

Fig. 1 – Brushes, Replacement, Scrub Head

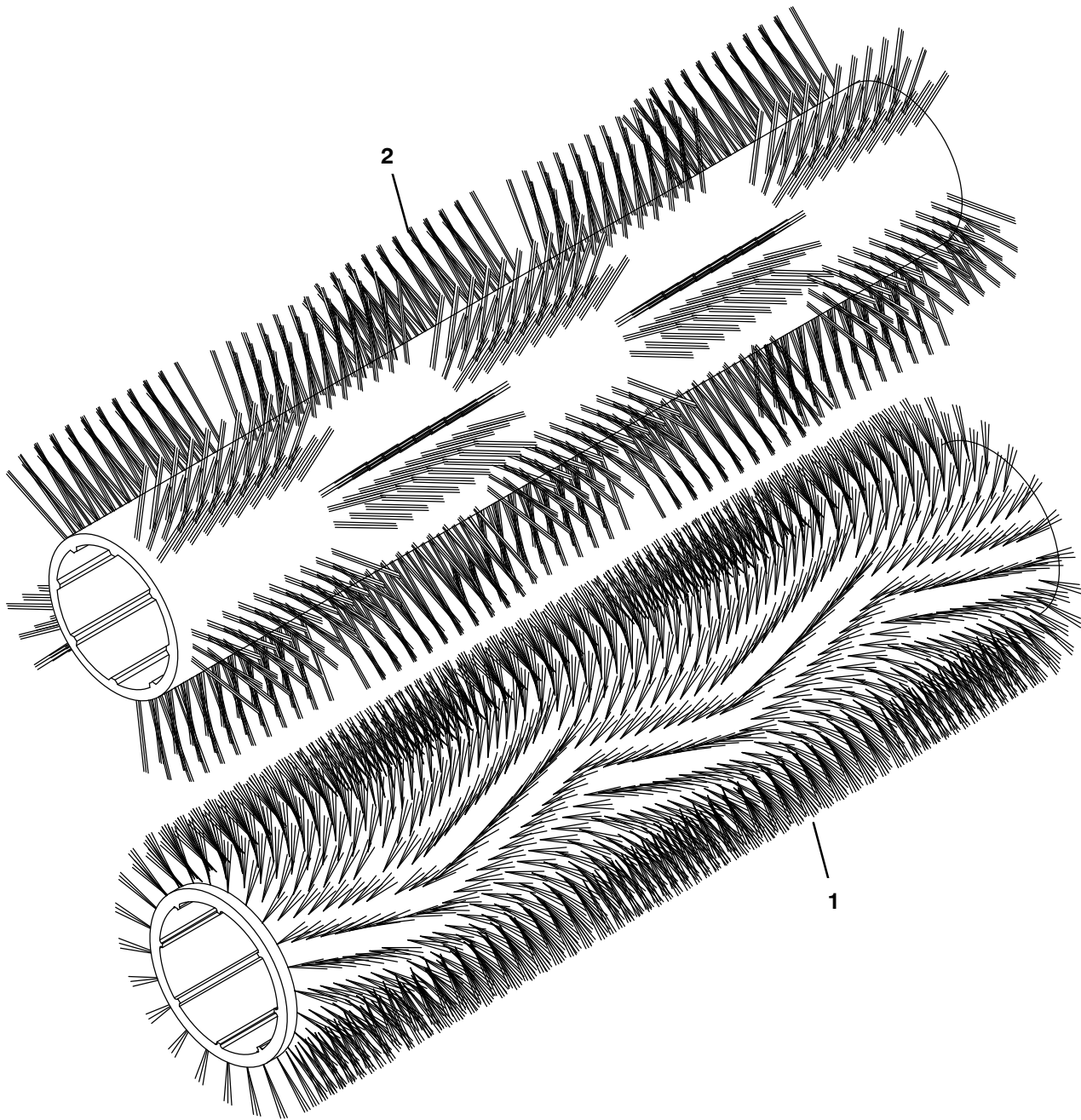
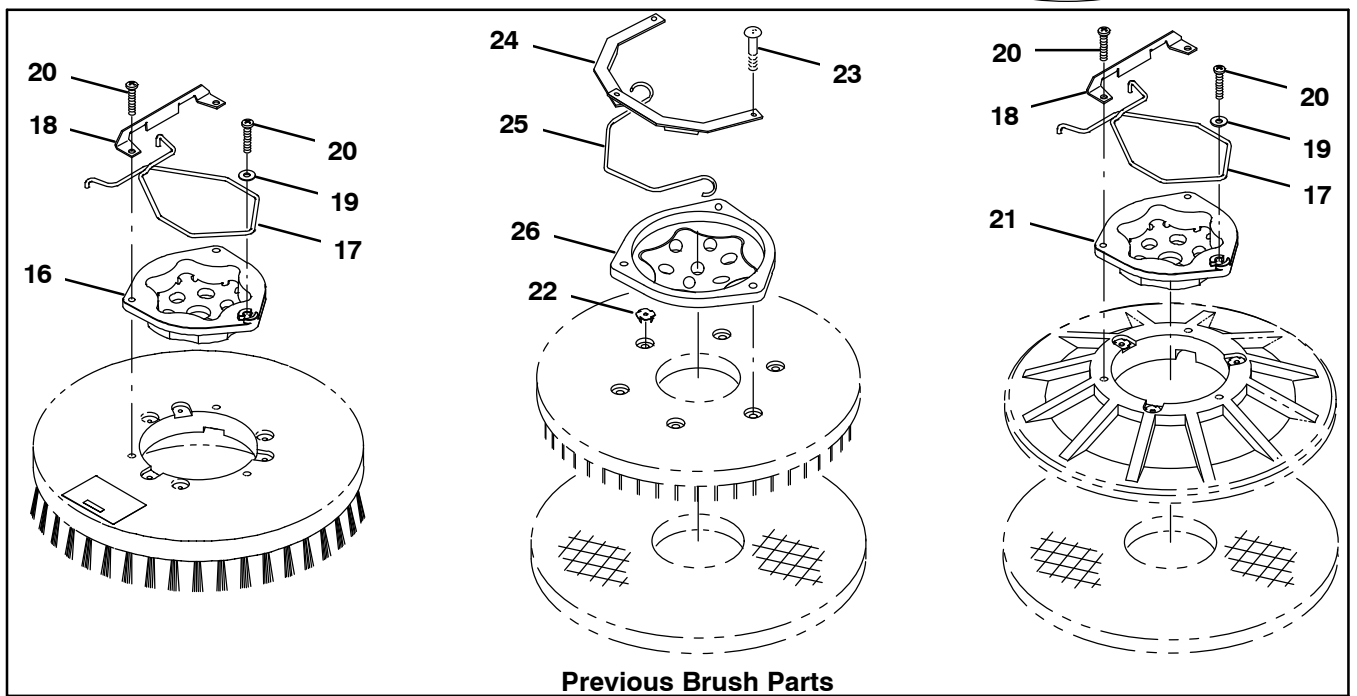
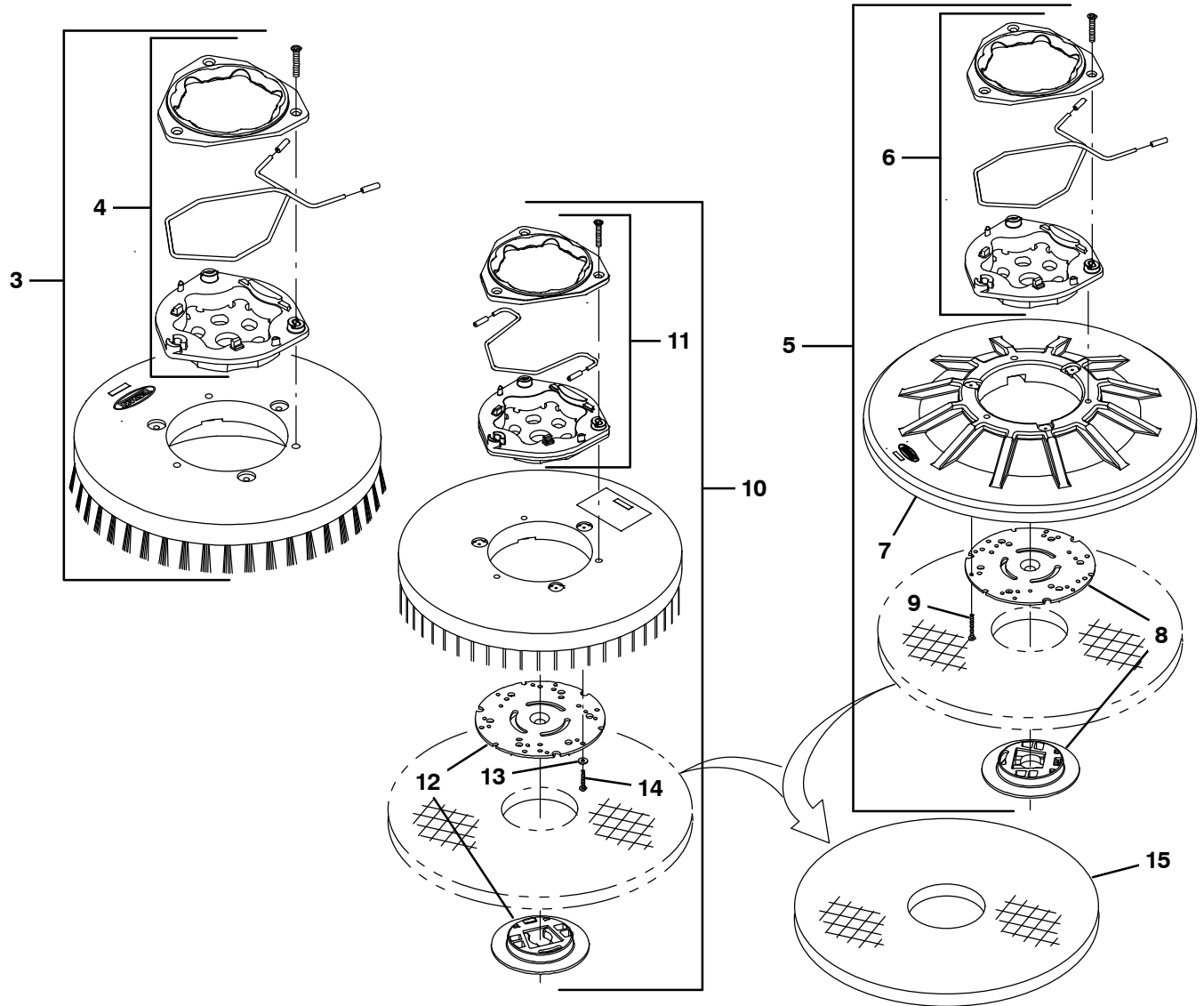


Fig. 1 – Brushes, Replacement, Scrub Head

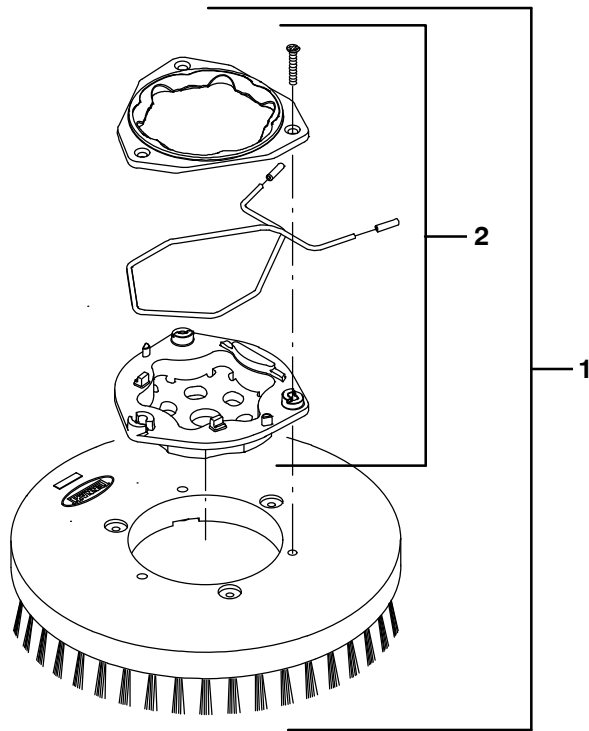


Previous Brush Parts

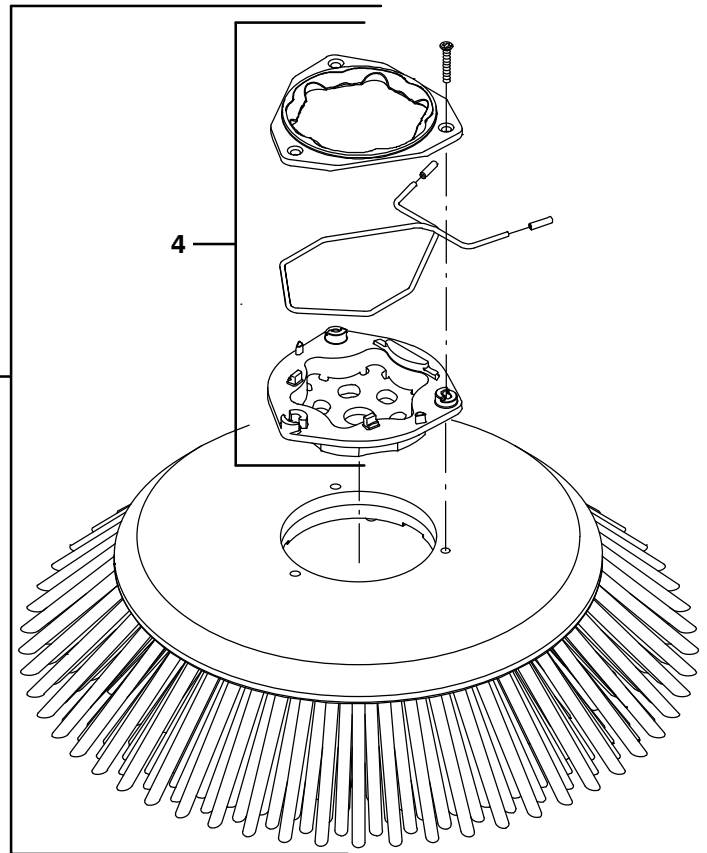
Fig. 1 – Brushes, Replacement, Scrub Head

Ref.	Part No.	Serial Number	Description	Qty.
1	1026223	(000000–)) Brush, Sweep / Scrub, 40L, Polypropylene	2
1	1026222	(000000–)) Brush, Sweep / Scrub, 40L, Super Abrasive	2
1	1027697	(000000–)) Brush, Sweep / Scrub, 40L, Polyester	2
1	1030969	(000000–)) Brush, Sweep / Scrub, 40L, Heavy Duty Polypropylene	2
2	1040524	(000000–)) Brush, Sweep / Scrub, 40L, Heavy Duty Polypropylene	2
2	1059640	(000000–)) Brush, Sweep / Scrub, 40L, Wndw, Super Abrasive	1
▽	3	1220237	(000000–)) Brush Assy, Disk, Scb, 14.0d, Polypropylene	3
▲	4	9014662	(000000–)) Brush Kit, Hub Assy, Drive, Ci [Hdpe In]	1
▽	3	1220238	(000000–)) Brush Assy, Disk, Scb, 14.0d, Nylon	3
▲	4	9014662	(000000–)) Brush Kit, Hub Assy, Drive, Ci [Hdpe In]	1
▽	3	1220239	(000000–)) Brush Assy, Disk, Scb, 14.0d, Super Abrasive	3
▲	4	9014662	(000000–)) Brush Kit, Hub Assy, Drive, Ci [Hdpe In]	1
▽	5	1220198	(000000–)) Brush Assy, Disk, Scb, 14.0d, Super Abrasive	3
▲	6	9014666	(000000–)) Brush Kit, Hub Assy, Drive, Ci [Uhmw]	1
▲	7	397974	(000000–)) Disk, Driver, Pad, W/ Face, 14.0d	1
▲	8	370095	(000000–)) Device, Centering, Clip On, TI [Gf Pp]	1
▲	9	09198	(000000–)) Screw, Pan, M4 X 0.7 X 35, Ss	3
▽	10	1220221	(000000–)) Driver Assy, Pad, 14.0d, Brush	3
▲	11	9014667	(000000–)) Brush Kit, Hub Assy, Drive, Ci [Comm]	1
▲	12	370095	(000000–)) Device, Centering, Clip On, TI [Gf Pp]	1
▲	13	41579	(000000–)) Washer, Flat, #08, Ss	3
▲	14	04403	(000000–)) Screw, Pan, M4 X 0.7 X 25, Ss, NI	3
	15	222324	(000000–)) Pad, Polish, 14.0d, White [1pad=1pc]	3
	15	222325	(000000–)) Pad, Buff, 14.0d, Red	3
	15	222326	(000000–)) Pad, Scb, 14.0d, Blu [1pad=1pc]	3
	15	222327	(000000–)) Pad, Stripping, 14.0d, Brown [1pad=1pc]	3
	15	1051026	(000000–)) Pad, Surf Prep, 14.0D Maroon, [1PICK=1PAD]	3
	15	370091	(000000–)) Pad, High Productivity Stripping, 14.0d, Blk	3
Previous Brush Parts				
	16	1017368	(000000–)) Hub, Drive, Brush, Disk, 3Hole 5.8Bc	1
	17	14838	(000000–)) Spring, Wir, 0.16d, Brush Retaining	1
	18	24299	(000000–)) Bracket, Retainer, Spring	1
	19	01684	(000000–)) Washer, Flat 0.25, Ss	1
	20	32746	(000000–)) Screw, Pan, M6 X 1.0 X 35, Ss	3
	21	15539	(000000–)) Hub, Drive, Brush, Disk, 3hole 5.8bc[6t]	1
	22	10908	(000000–)) Nut, T, M4 X 0.70	3
	23	32747	(000000–)) Screw, Pan, M6 X 1.0 X 40, Ss	3
	24	21852	(000000–)) Bracket, Retainer, Spring	2
	25	1028905	(000000–)) Spring, Wir, 0.16d, Brush Retaining [T5]	1
	26	1017112	(000000–)) Hub, Drive, Brush, Disk, 3hole 5.8bc	1
		222320	(000000–)) Brush Assy, Disk, Scrub, 14.0 D, Polypropylene (Replaced by 1220237)	3
		222321	(000000–)) Brush Assy, Disk, Scrub, 14.0 D, Soft Nylon (Replaced by 1220238)	3
		222322	(000000–)) Brush Assy, Disk, Scrub, 14.0 D, Super Abrasive (Replaced by 1220239)	3
		397914	(000000–)) Driver Assy, Pad 14.0 D (Replaced by 1220198)	3
		399249	(000000–)) Driver Assy, Pad 14.0 D (Replaced by 1220221)	3

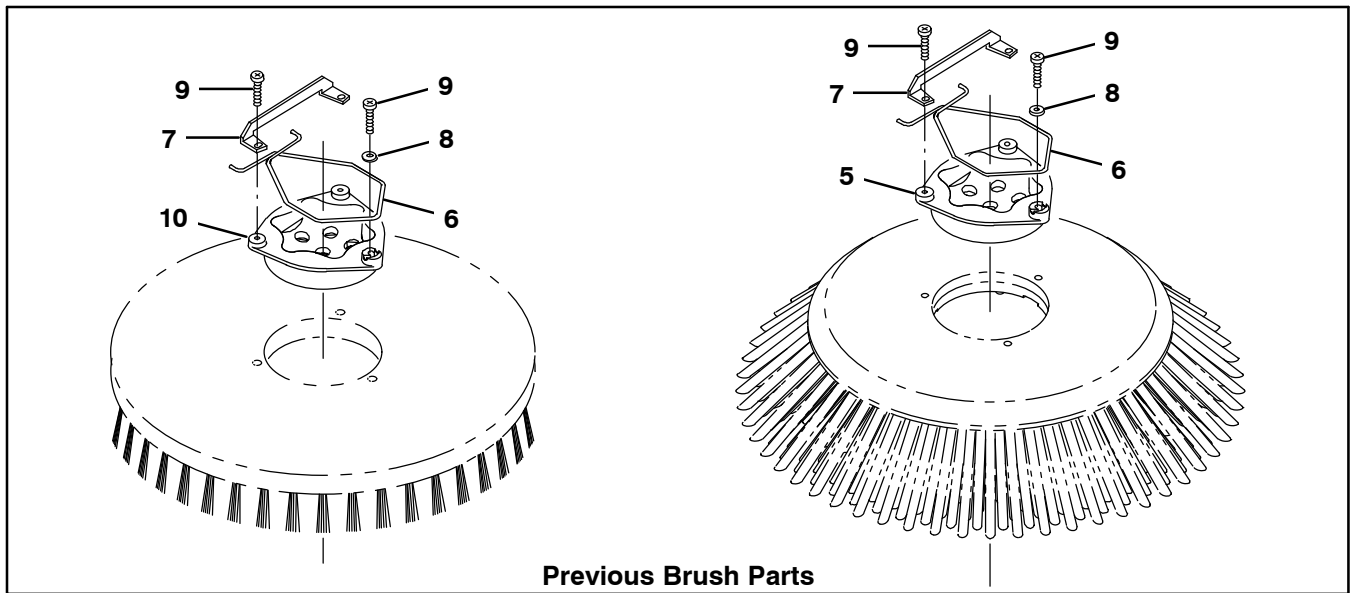
Fig. 2 – Brushes, Replacement, Side Brush



**SCRUBBING
SIDE BRUSH**



**SWEEPING
SIDE BRUSH**



Previous Brush Parts

Fig. 2 – Brushes, Replacement, Side Brush

Ref.	Part No.	Serial Number	Description	Qty.
▽	1	1220235	(000000–) Brush Assy, Disk, Scb, 16.0d, Nylon	1
▲	2	9014662	(000000–) Brush Kit, Hub Assy, Drive, Ci [Hdpe In]	1
▽	1	1220236	(000000–) Brush Assy, Disk, Scb, 16.0d, Heavy Duty Polypropylene	1
▲	2	9014662	(000000–) Brush Kit, Hub Assy, Drive, Ci [Hdpe In]	1
▽	1	1221543	(000000–) Brush Assy, Disk, Scb, 16.0d, Super Abrasive	1
▲	2	9014662	(000000–) Brush Kit, Hub Assy, Drive, Ci [Hdpe In]	1
▽	3	1220185	(000000–) Brush Assy, Disk, Swp, 24.0d, Polypropylene	1
▲	4	9014666	(000000–) Brush Kit, Hub Assy, Drive, Ci [Uhmw]	1

Previous Brush Parts

5	1017368	(000000–)	Hub, Drive, Brush, Disk, 3hole 5.8bc	1
6	14838	(000000–)	Spring, Wir, 0.16d, Brush Retaining	1
7	24299	(000000–)	Bracket, Retainer, Spring	1
8	01684	(000000–)	Washer, Flat, 0.27b 0.69d .05, Ss	1
9	32746	(000000–)	Screw, Pan, Phl, M6 X 1.00 X 35, Ss	3
10	15539	(000000–)	Hub, Drive, Brush, Disk, 3hole 5.8bc[6t]	1
	1042500	(000000–)	Brush Assy, Disk, Scrub, 16.0 D, Heavy Duty Polypropylene (Replaced by 1220236)	1
	1042504	(000000–)	Brush Assy, Disk, Scrub, 16.0 D, Super Abrasive (Replaced by 1221543)	1
	1042499	(000000–)	Brush Assy, Disk, Scrub, 16.0D, Nylon (Replaced by 1220235)	1
	1027688	(000000–)	Brush Assy, Disk, Sweep, 24.oD, Polypropylene (Replaced by 1220185)	1

Fig. 3 – Main Frame Group

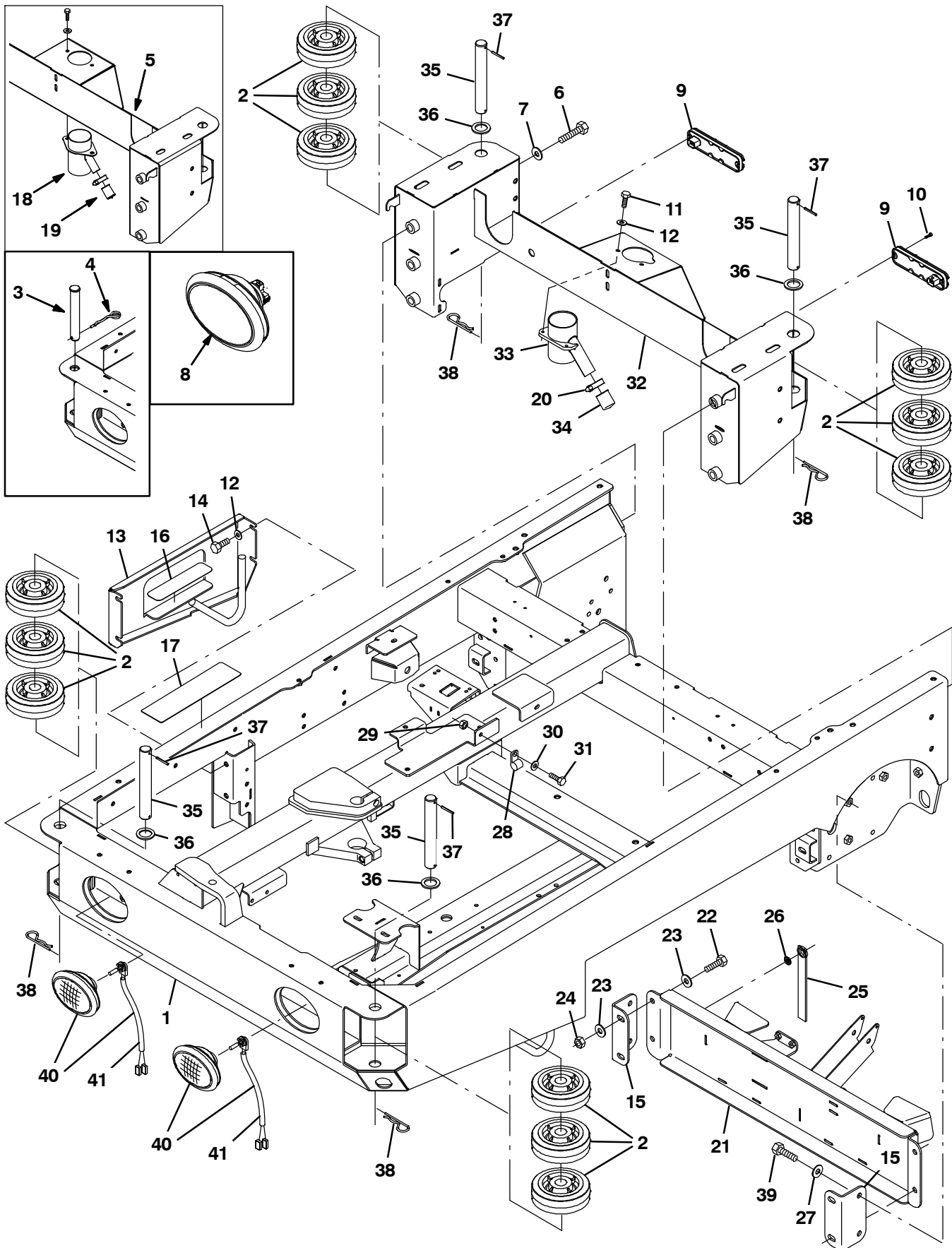


Fig. 3 – Main Frame Group

Ref.	Part No.	Serial Number	Description	Qty.	
1	9002401	(000000–)	Frame Wldt, Main, Replmt [M20 & T20]	1	
2	1060130	(000000–)	Wheel, 06.0D 2.00W 1.19B, Gray Rbr	6	
3	9006334	(000000–002102)	Pin Kit, Wheel, Ci [M20/T20/M30]	4	
4	761490	(000000–002102)	Pin, Cotter, Hair, Dbl	4	
5	9003679	(000000–001720)	Bumper Kit, Rear [T20]	1	
6	06971	(000000–)	Screw, Hex, M12 X 1.75 X 50, 8.8	6	
7	32493	(000000–)	Washer, Flat, 0.50, Std	6	
▽	8	1019225	(000000–002352)	Headlight, 12vdc, 27watt, 2.1a, Oval (Rpl by 1060942)	2
▲		1031826	(000000–002352)	Lamp, 12vdc [Speaker]	1
▲		1031827	(000000–002352)	Receptacle, Lamp [Speaker]	1
9	1018208	(000000–)	Light, Tail, 12vdc	2	
10	06928	(000000–)	Screw, Pan, M4 X 0.70 X 20, 4.8	4	
11	09740	(000000–)	Screw, Hex, M8 X 1.25 X 20, Ss	2	
12	01686	(000000–)	Washer, Flat, 0.44b 1.00d .08, Ss	6	
13	1027916	(000000–)	Panel Wldt, Filler	1	
14	12317	(000000–)	Screw, Hex, M10 X 1.5 X 30, Ss	4	
15	1025254	(000000–)	Bracket, Mtg, Sqge, Disk Head (Disk Scrub Head)	2	
16	363458	(000000–)	Tread, Non–Skid, 01.9w 08.0l	1	
17	58819	(000000–)	Tread, Non–Skid, 03.0w 11.6l	1	
18	1027347	(000000–001720)	Coupling, Hose	1	
19	1028253	(000000–001720)	Grip, Handle, 1.0d 1.5l Blk (Disk Scrub Head)	1	
20	11399	(000000–)	Clamp, Hose, Wormdrive, 0.81–1.50d, .50w (Disk Scrub Head)	1	
21	1027269	(000000–)	Crossmember Wldt, Sqge (Disk Scrub Head)	1	
22	77347	(000000–)	Screw, Hex, M10 X 1.5 X 35, Ss (Disk Scrub Head)	4	
23	32492	(000000–)	Washer, Flat, 0.38, Std (Disk Scrub Head)	8	
24	08714	(000000–)	Nut, Hex, Lock, M10 X 1.5, NI, Ss (Disk Scrub Head)	4	
25	71579	(000000–)	Strap, Static, W/Grommet, .19 1.1w 25.0l (Disk Scrub Head)	1	
26	41141	(000000–)	Washer, Lock, Int–Ext, 0.31 (Disk Scrub Head)	1	
27	32493	(000000–)	Washer, Flat, 0.50, Std (Disk Scrub Head)	4	
28	53466	(001036–)	Clamp, Cable, Stl, 1.50d X 1.00w, 1hole	1	
29	08709	(001036–)	Nut, Hex, Lock, M8 X 1.25, NI	1	
30	32491	(001036–)	Washer, Flat, 0.31, Std	1	
31	39277	(001036–)	Screw, Hex, M8 X 1.25 X 25, 8.8	1	
32	1039091	(001721–)	Bumper Wldt, Rear	1	
33	1036240	(001721–)	Tube, Vacuum	1	
34	1038498	(001721–)	Grip, Handle, 1.25D 1.50L Blk	1	
35	23146	(002103–)	Pin, Roll, .187d X 1.62l, .187/.192	4	
36	1062566	(002103–)	Washer, Flat, 1.26B 1.88D .13, Stl, PI	4	
37	1053838	(002103–)	Pin, 30mmd X 215mml	4	
38	34411	(002103–)	Pin, Cotter, Hair, 1.00d .178 Wir	4	
39	12309	(000000–)	Screw, Hex, M12 X 1.75 X 30, Ss	4	
▽	40	1060942	(002353–)	Headlight, 12Vdc, Oval, Halogen	2
▲	41	9007513	(002353–)	Lamp, Halogen [Speaker]	1

Fig. 4 - Operator Station Group

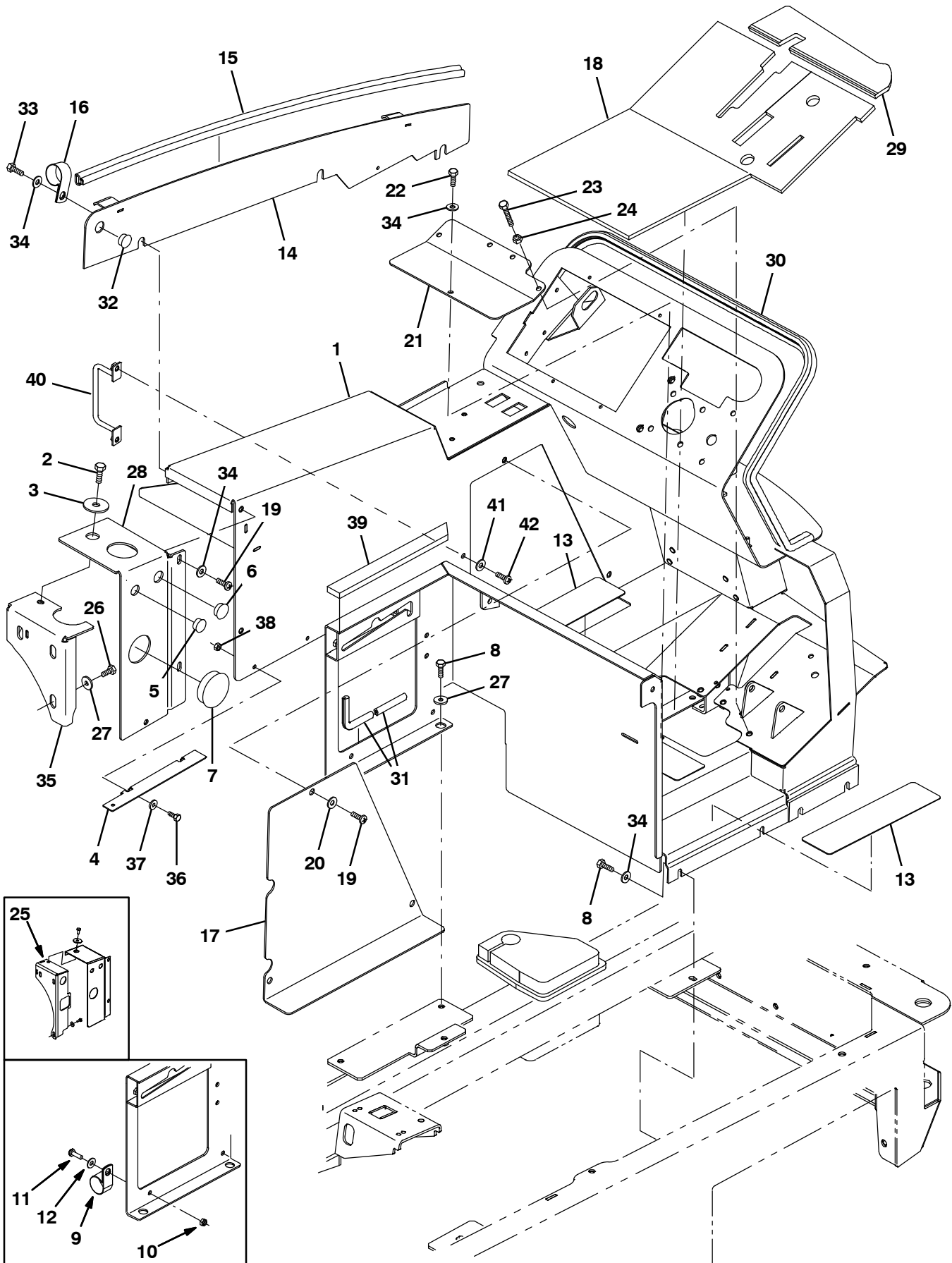


Fig. 4 - Operator Station Group

Ref.	Part No.	Serial Number	Description	Qty.
1	9002409	(000000-) Panel Wldt, Gas, Replmt	1
1	9002380	(000000-) Panel Wldt, Gas, Replmt [W/Fast]	1
1	9002381	(000000-) Panel Wldt, Gas, W/ Es, Replmt	1
1	9003422	(000000-) Panel Wldt, Gas, Replmt, TJ (Japan only)	1
1	9003425	(000000-) Panel Wldt, Gas, Replmt, TJ [W/Fast] (Japan only)	1
1	9003428	(000000-) Panel Wldt, Gas, Replmt, TJ, W/Es (Japan only)	1
1	9003431	(000000-) Panel Wldt, LPG, Replmt	1
1	9003432	(000000-) Panel Wldt, LPG, Replmt [W/Fast]	1
1	9003433	(000000-) Panel Wldt, LPG, Replmt, W/Es	1
1	9003423	(000000-) Panel Wldt, LPG, Replmt, TJ (Japan only)	1
1	9003426	(000000-) Panel Wldt, LPG, Replmt, TJ [W/Fast] (Japan only)	1
1	9003429	(000000-) Panel Wldt, LPG, Replmt, TJ, W/Es (Japan only)	1
2	39283	(000000-) Screw, Hex, M10 X 1.5 X 25, 8.8	1
3	04414	(000000-) Washer, Flat, 0.53b 1.88d .12, Stl, PI	1
4	1047169	(000000-) Bracket, Mtg, Insulation	2
5	82727	(000000-) Plug, Hole, Rnd, 0.88h .03-.12, Blk Nyl	1
6	01493	(000000-) Plug, Hole, Rnd, 1.00h .03-.12, Blk Nyl	1
7	1030017	(000000-) Plug, Hole, Rnd, 2.50h .03-.25, Blk Nyl	1
8	16931	(000000-) Screw, Hex, M8 X 1.25 X 20, 8.8	8
9	70157	(000000-001035)) Clamp, Cable, Ss, 2.50d X 1.00w, 1h	1
10	08709	(000000-001035)) Nut, Hex, Lock, M8 X 1.25, NI	2
11	39277	(000000-001035)) Screw, Hex, M8 X 1.25 X 25, 8.8	7
12	32491	(000000-001035)) Washer, Flat, 0.31, Std	18
13	58819	(000000-) Tread, Non-Skid, 03.0w 11.6l	4
14	1025435	(000000-001499)) Panel Wldt, Adj	1
14	1035832	(001500-) Panel Wldt, Adj [2007]	1
15	1030593	(000000-) Seal, Afmkt, Bulb, 90, 0.75d F/11ga 08ft	1
16	53466	(000000-) Clamp, Cable, Stl, 1.50d X 1.00w, 1h	5
17	1021834	(000000-) Panel, Access, Door	1
18	1027218	(000000-) Mat, Floor	1
19	1031665	(000000-) Screw, Pan, M8 X 1.25 X 25, Blk	4
20	39349	(000000-) Washer, Flat, 0.31 Sae	3
21	1022699	(000000-) Panel, Access, Floor	1
22	16931	(000000-) Screw, Hex, M8 X 1.25 X 20, 8.8	4
23	363976	(000000-) Screw, Hex, M8 X 1.25 X 60, 8.8, FI	1
24	39311	(000000-) Nut, Hex, Std, M8 X 1.25	1
25	1020540	(000000-001683)) Bracket Wldt, Mtg, Tank	1
26	09740	(000000-) Screw, Hex, M8 X 1.25 X 20, Ss	3
27	1017218	(000000-) Washer, Flat, 0.32b 1.00d .12, Ss	5
28	1033975	(000000-) Bracket, Mtg	1
29	1027267	(000000-) Mat, Floor	1
30	1020904	(000000-) Seal, Panl, Instmt	1
31	1020168	(000000-) Molding, Afmkt, Trim, Pvc, .08 .11, 1ft	1
32	80288	(001500-) Plug, Hole, Rnd, 0.81h, Blk	1
33	39277	(000000-) Screw, Hex, M8 X 1.25 X 25, 8.8	6
34	32491	(000000-) Washer, Flat, 0.31, Std	17
35	1035997	(001684-) Bracket Wldt, Mtg, Tank	1
36	06942	(000000-) Screw, Hex, M6 X 1.00 X 16, 8.8	2
37	32490	(000000-) Washer, Flat, 0.25, Std	2
38	08708	(000000-) Nut, Hex, Lock, M6 X 1.00, NI	2
39	1047295	(000000-) Seal, Foam, 0.50	1
40	1071616	(005000-) Bracket Wldt, Mtg, Hose	1
41	1031665	(005000-) Screw, Pan, M8 X 1.25 X 25, Blk	2
42	39349	(005000-) Washer, Flat, 0.31 Sae	2

Fig. 5 – Operator Station Insulation Group

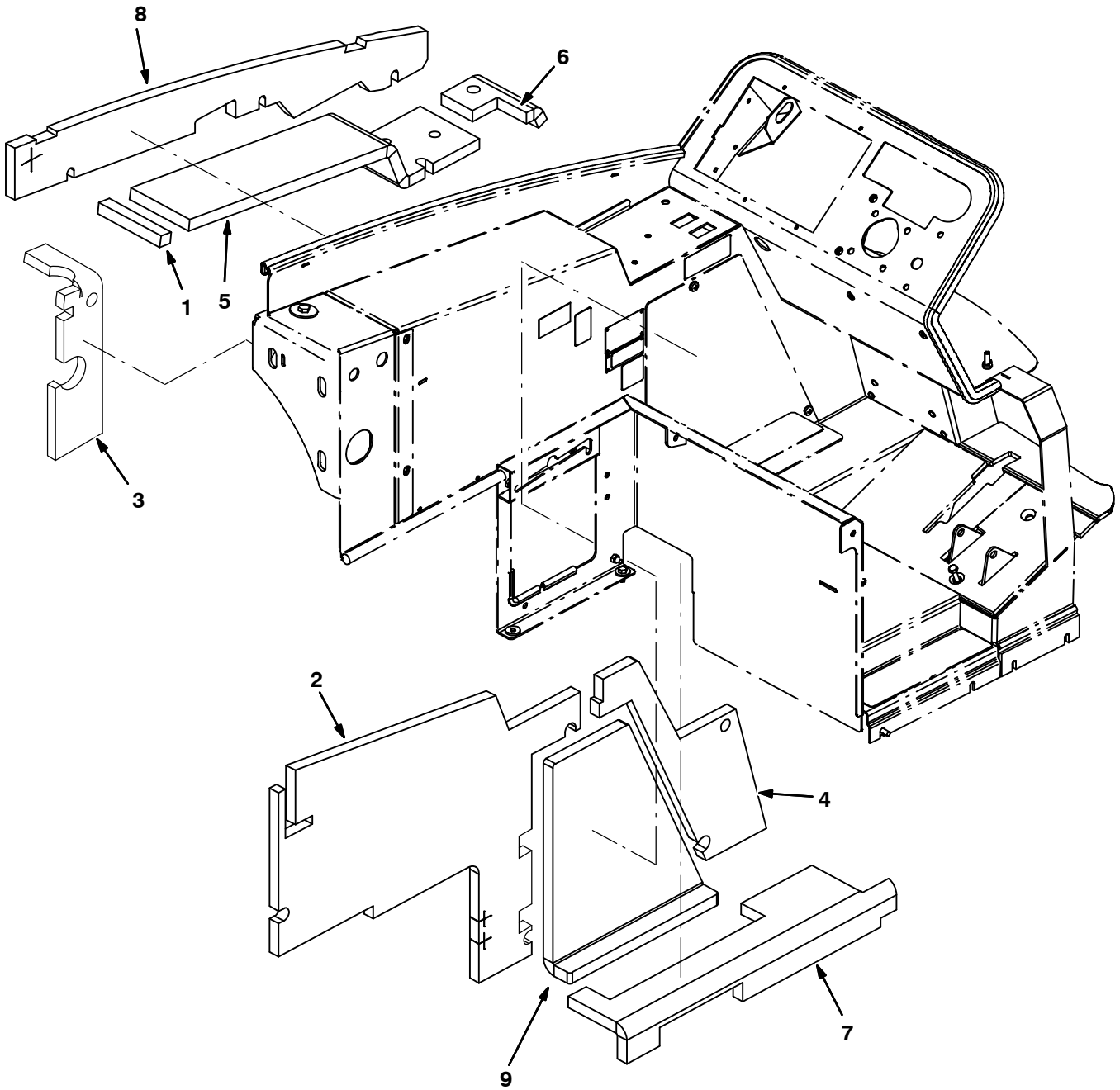


Fig. 5 – Operator Station Insulation Group

Ref.	Part No.	Serial Number	Description	Qty.
1	1034769	(000000–) Insulation, Flame-retardant, 0.75–0.88	1
2	1034765	(000000–) Insulation, Flame-retardant, 0.75–0.88	1
3	1040841	(000000–) Insulation, Flame-Retardant, 0.75–0.88	1
4	1023464	(000000–) Insulation, Flame-Retardant, 0.75–0.88	1
5	1034764	(000000–) Insulation, Flame-retardant, 0.75–0.88	1
6	1034766	(000000–) Insulation, Flame-retardant, 0.75–0.88	1
7	1034768	(000000–) Insulation, Flame-retardant, 0.75–0.88	1
8	1034770	(000000–) Insulation, Flame-retardant, 0.75–0.88	1
9	1023569	(000000–) Insulation, Flame-Retardant, 0.75–0.88	1

Fig. 6 - Instrument Panel Group

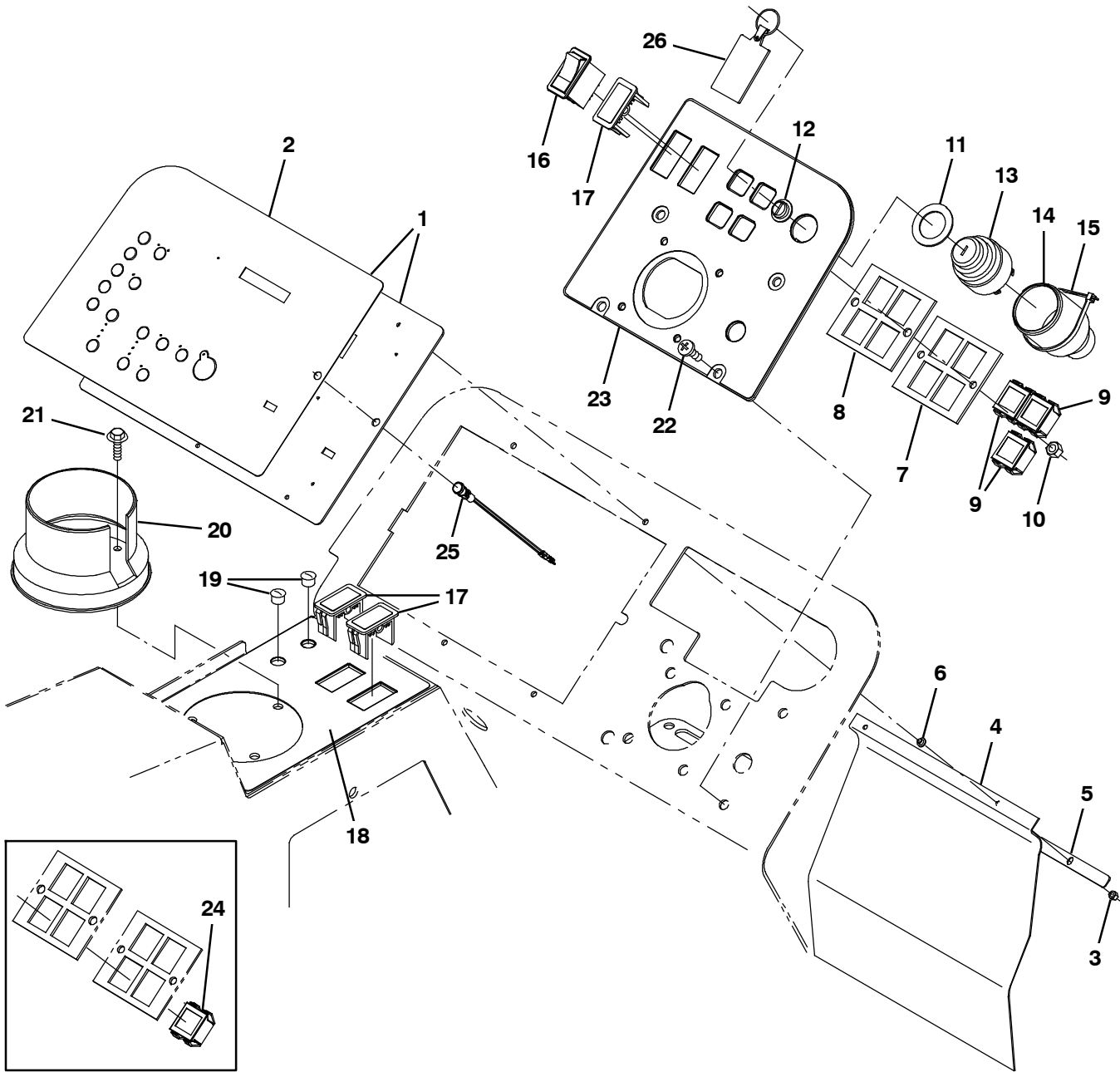


Fig. 6 – Instrument Panel Group

	Ref.	Part No.	Serial Number	Description	Qty.
▽	1	9002436	(000000–) Panel Kit, Instmt, Replmt [T20]	1
▲	2	9002437	(000000–) Label Kit, Panel, Replmt [T20]	1
▽	1	9007914	(000000–) Panel Kit, Instmt, Replmt [T20 ec–H20 only]	1
▲	2	9007915	(000000–) Label Kit, Panel, Replmt [T20 ec–H20 only]	1
	3	16968	(000000–) Nut, Hex, Lock, #08–32, NI	4
	4	1028769	(000000–) Flap, Battery	1
	5	1028772	(000000–) Bar, Flat, Ss, .06 X .50 X 10.0l 2/.19sl	1
	6	1029362	(000000–) Washer, Shld, Nyl [8–32]	4
	7	361071	(000000–) Plate, Mtg, Light	1
	8	361073	(000000–) Seal, Rbr, Clsd, 0.13, Instmt Panl	1
	9	361075	(000000–) Light, Panl, 14vdc, , 1.1 X 1.0	3
	10	08712	(000000–) Nut, Hex, Lock, M6 X 1.0, Ss, NI	2
	11	73736	(000000–) Washer, Flat, 1.15b 1.75d .08, Stl	1
	12	382516	(000000–) Boot, .63id .29l .90w	1
▽	13	87536	(000000–) Switch, Ignition [Ku]	1
▲		87866	(000000–) Key, Ignition [Set Of 2]	1
	14	383165	(000000–) Boot, Switch, Ignition	1
	15	49266	(000000–) Tie, Cable, Nyl, 07.3l .19w 1.8 Max D	2
	16	392171	(000000–) Switch, Rocker, Dpdt On/Off/On	1
	17	398501	(000000–) Plug, Hole, Rt, Rocker Switch, .87 X 1.7	3
	18	1027284	(000000–) Label, Switch, Rocker [T20]	1
	19	56992	(000000–) Plug, Hole, Rnd, 0.50h .03–.12, Blk Nyl	2
	20	223599	(000000–) Cup Holder, Rwk	1
	21	1036892	(000000–) Screw, Hex, M6 X 1.00 X 25, 9.8 Sems	3
	22	1031665	(000000–) Screw, Pan, M8 X 1.25 X 25, Blk	4
	23	9004880	(000000–) Panel, Instmt, Rh, Gas, Replmt	1
	23	9002391	(000000–) Panel, Instmt, Rh, Lpg, Replmt	1
	23	9002392	(000000–) Panel, Instmt, Rh, Lpg, Replmt, CE/TJ (Japan only)	1
	24	361075	(000000–001997) Light, Panl, 14vdc, , 1.1 X 1.0	1
	25	1041822	(000000–) Light, Led, .312D, 2 Volt [Tri–Color] (ec–H20 only)	1
	26	1075003	(000000–) Keychain, Rectangle, Parts & Service	1

Fig. 7 – Seat Group

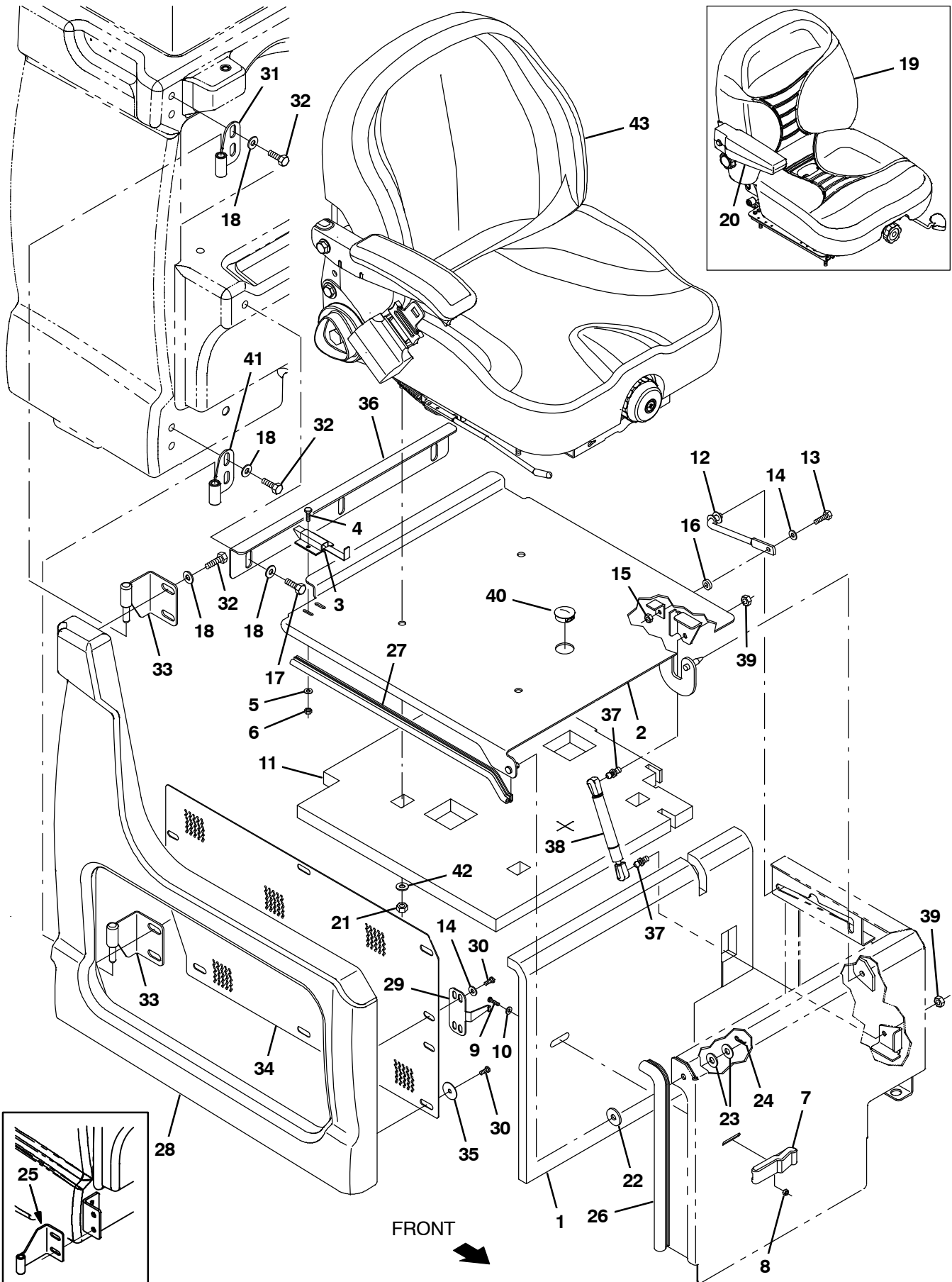


Fig. 7 - Seat Group

Ref.	Part No.	Serial Number	Description	Qty.	
1	1034767	(000000-) Insulation, Flame-retardant, 0.75-0.88	1	
2	1019228	(000000-) Plate Wldt, Seat	1	
3	1025736	(000000-) Latch	1	
4	09252	(000000-) Screw, Hex, M5 X 0.8 X 20, 8.8	2	
5	19066	(000000-) Washer, Flat, #10	2	
6	06549	(000000-) Nut, Hex, Lock, M5 X 0.8, NI	2	
7	49800	(000000-) Latch	1	
8	02850	(000000-) Nut, Hex, Lock, M4 X 0.7, NI	4	
9	06929	(000000-) Screw, Pan, M4 X 0.7 X 25, 4.8	4	
10	19065	(000000-) Washer, Flat, #08	2	
11	1023499	(000000-) Insulation, Flame-Retardant, 1.0	1	
12	223080	(000000-) Arm Wldt, Safety, Sppt, Seat, .38d 06.5d	1	
13	06944	(000000-) Screw, Hex, M6 X 1.0 X 25, 8.8	1	
14	32483	(000000-) Washer, Flat, 0.25 Sae	9	
15	08708	(000000-) Nut, Hex, Lock, M6 X 1.0, NI	1	
16	21851	(000000-) Spacer, Plstc, Ny	1	
17	09740	(000000-) Screw, Hex, M8 X 1.25 X 20, Ss	3	
18	1017218	(000000-) Washer, Flat, 0.32b 1.00d .12, Ss	11	
▽	19	1022105	(000000-005521) Seat, Suspension, W/1 Arm And Belt	1	
▲		1066893	(000000-005521) Seatbelt, Retractable [Deluxe Seat]	1	
▲		1048955	(000000-005521) Switch, Seat, No [Delta 6440-04]	1	
▲	20	1072815	(000000-005521) Armrest, Rh	1	
	21	32983	(000000-) Nut, Hex, Lock, .31-18, NI	4
	22	364749	(000000-) Washer, Flat, 0.41b 1.25d .12, Pye	1
	23	32492	(000000-) Washer, Flat, 0.38 Std	2
	24	08085	(000000-) Pin, Cotter, Hair, 0.31d .058 Wir	1
	25	1024183	(000000-001004) Hinge Wldt, Door	1	
	26	1030588	(000000-) Seal, Afmkt, Bulb, 90, 0.75d F/11ga 02ft	1
	27	1031206	(000000-) Seal, Afmkt, Bulb, 90, 0.50d, 02ft	1
	28	1018776	(000000-) Shroud, Seat	1
	29	1026825	(000000-) Bracket, Latch, Shrd, Seat	1
	30	09200	(000000-) Screw, Pan, M5 X 0.8 X 12, Ss	8
	31	1024464	(000000-) Hinge Wldt, Shrd, Rh	1
	32	16931	(000000-) Screw, Hex, M8 X 1.25 X 20, 8.8	10
	33	1024425	(000000-) Hinge Wldt, Shrd, Rh	2
	34	1025916	(000000-) Grill, Side	1
	35	41178	(000000-) Washer, Flat, 0.25 Fendr	6
	36	1020487	(000000-) Bracket, Seat, Adj	1
	37	58494	(001014-) Stud, Ball, .39d .31-16, Gasspring	2
	38	368391	(001014-) Gasspring, 180lb, 03.0strk	1
	39	01760	(001014-) Nut, Hex, Lock, .31-18, NI, Thin	2
	40	76888	(001998-) Plug, Hole, Rnd, 1.25H .03-.12, Blk Nyl	1
	41	1024464	(001005-) Hinge Wldt, Shrd, Rh	1
	42	32491	(000000-) Washer, Flat, 0.31, Std	4
	43	1072456	(005522-) Seat (See Breakdowns)	1

Fig. 8 - Steering Group

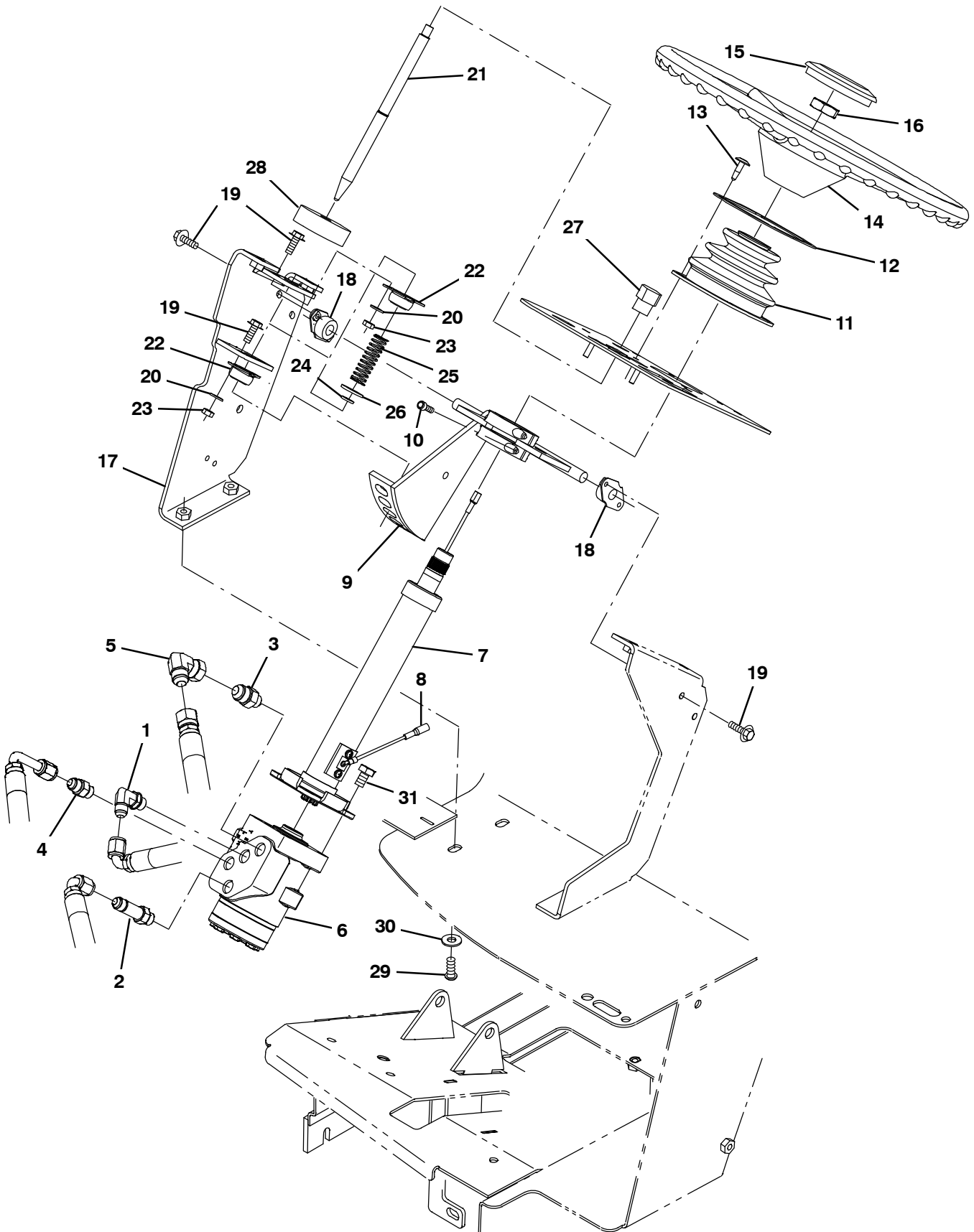


Fig. 8 - Steering Group

Ref.	Part No.	Serial Number	Description	Qty.	
1	56820	(000000-) Fitting, Hyd, E90, Jm06/Om06	1	
2	59577	(000000-) Fitting, Hyd, Str, Jm06/Om06, L	1	
3	56835	(000000-) Fitting, Hyd, Str, Jm08/Om06	1	
4	56690	(000000-) Fitting, Hyd, Str, Jm06/Om06	1	
5	17980	(000000-) Fitting, Hyd, E90, Jf08/Jm08	1	
6	1024260	(000000-) Steer-Control, Hyd#05, 06.1 2030 (See Breakdowns)	1	
▽	7	1021265	(000000-) Column, Steering, 09.9L 0.86D 36Tooth	1
▲	8	388153	(000000-) Contact Kit, W/ Brush [En]	4
▽	9	73027	(000000-) Bracket Wldt, Steering, Tilt	1
▲	10	01681	(000000-) Screw, Soc, .25-20 X 0.75, Al	4
11	70622	(000000-) Boot, Bellows, 3.1l 4.4w 2.8h 1hole, Neo	1	
12	70623	(000000-) Retainer, Boot, Steering Column	1	
13	72970	(000000-) Rivet, Plstc, .250d X 0.898	4	
14	1058996	(000000-) Wheel, Steering, 14.3d 0.81b 36tooth	1	
15	1024478	(000000-) Button, Cntrl, Horn	1	
16	56185	(000000-) Nut, Hex, Jam, M20 X 1.5	1	
17	1024695	(000000-) Bracket Wldt, Tilt, Rh	1	
18	70709	(000000-) Bearing, Flng, 2-Hole, 0.50b	2	
19	1040467	(000000-) Screw, Hex, M6 X 1.00 X 20, 9.8, Sems	8	
20	32483	(000000-) Washer, Flat, 0.25 Sae	4	
21	1023926	(000000-) Pin, Locking, Steering, Tilt	1	
22	47585	(000000-) Bearing, Flng, 2hole, 0.50b [Nyl]	2	
23	08708	(000000-) Nut, Hex, Lock, M6 X 1.0, NI	4	
24	70717	(000000-) Ring, Retaining, Ext, 0.50d, Hd	1	
25	22290	(000000-) Spring, Cmpr, 18.8d, 1.6w, 57.1l	1	
26	32486	(000000-) Washer, Flat, 0.50 Sae	1	
27	04706	(000000-) Knob, Tee, 2.5x1.0 1.1l 0.38-16 Plstc	1	
28	75968	(000000-) Insulation, Acstc, Rnd, 0.8, 02.5d 0.5h	1	
29	1031665	(000000-) Screw, Pan, M8 X 1.25 X 25, Blk	2	
30	32491	(000000-) Washer, Flat, 0.31, Std	2	
31	06960	(000000-) Screw, Hex, M10 X 1.5 X 16, 8.8	4	

Fig. 9 - Front Cover Group

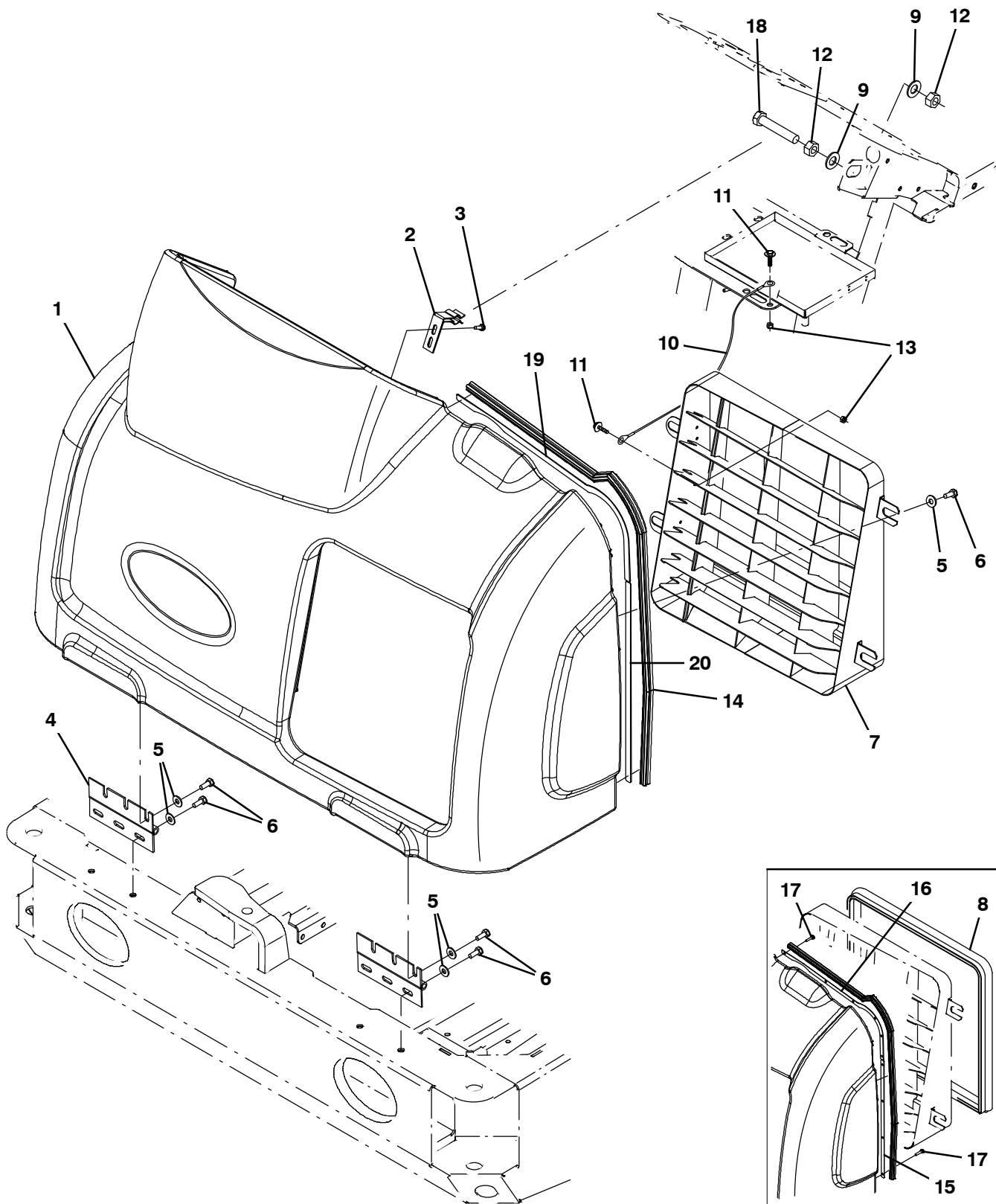


Fig. 9 – Front Cover Group

Ref.	Part No.	Serial Number	Description	Qty.
1	1022069	(000000–) Shroud, Front, Trimmed	1
2	1008916	(000000–) Bracket Wldt, Latch	1
3	06942	(000000–) Screw, Hex, M6 X 1.0 X 16, 8.8	2
4	71941	(000000–) Hinge, .38pin .11 3.5w 06.0l 6/0.38sl	2
5	32491	(000000–) Washer, Flat, 0.31, Std	14
6	16931	(000000–) Screw, Hex, M8 X 1.25 X 20, 8.8	14
7	1035068	(000000–) Grill Wldt, Front	1
8	1031557	(000000–001021) Seal, Afmkt, Bulb, Str, 1.0d F/11ga 08ft	1
9	15331	(000000–) Washer, Flat, 0.62 Sae	2
10	391368	(000000–) Cable, Glv .09d 016.5l .38eye /.38eye	1
11	1040467	(000000–) Screw, Hex, M6 X 1.00 X 20, 9.8, Sems	2
12	07782	(000000–) Nut, Hex, Std, M16 X 2.0	2
13	08708	(000000–) Nut, Hex, Lock, M6 X 1.0, NI	2
14	1049919	(000000–) Seal, Sponge, 0.88 1.00W 43.0L	1
15	1029652	(000000–001512) Plate, Mtg, Seal	1
16	1029545	(000000–001512) Plate, Mtg, Seal	1
17	20394	(000000–001512) Screw, Hex, #10–16 X 0.62, Fmg, [Ab]	10
18	06988	(000000–) Screw, Hex, M16 X 2.0 X 90, 8.8	1
19	1037970	(001513–) Strip Mtg, Seal	1
20	1037971	(001513–) Strip Mtg, Seal	1

Fig. 10 – Engine Cover Group

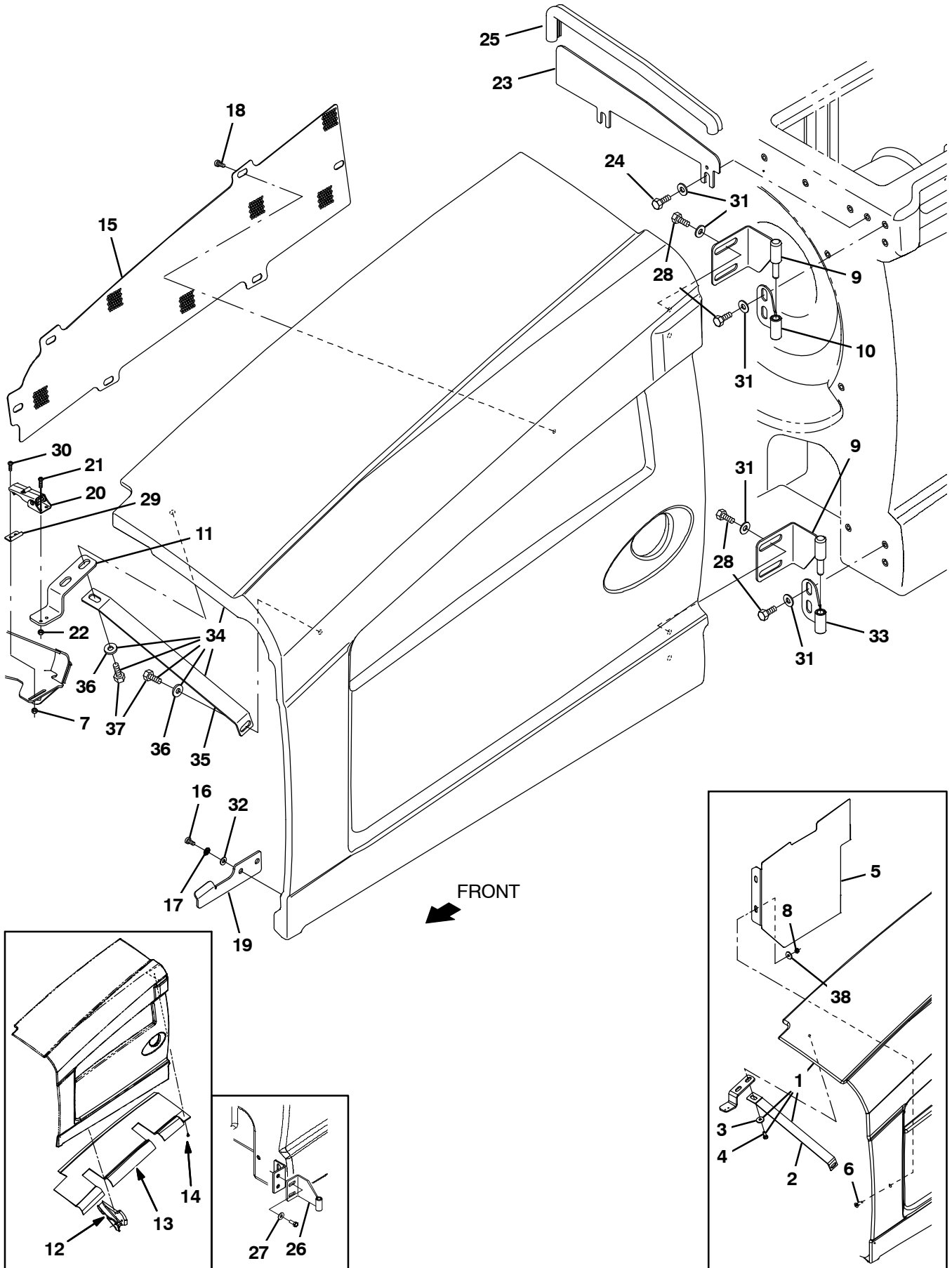


Fig. 10 - Engine Cover Group

	Ref.	Part No.	Serial Number	Description	Qty.
▽	1	1033156	(000000-004999)	Shroud Assy, Eng	1
▲	2	1026628	(000000-004999)	Angle, Brace, Shrd	1
▲	3	1017218	(000000-004999)	Washer, Flat, 0.32b 1.00d .12, Ss	2
▲	4	16931	(000000-004999)	Screw, Hex, M8 X 1.25 X 20, 8.8	2
	5	1022004	(000000-004999)	Bracket, Shield, Heat	1
	6	74077	(000000-004999)	Screw, Flt, M8 X 1.25 X 25	4
	7	33932	(000000-)	Nut, Hex, Lock, M4 X 0.7, NI, Ss	2
	8	08709	(000000-004999)	Nut, Hex, Lock, M8 X 1.25, NI	4
	9	1024500	(000000-)	Hinge Wldt, Shrd, Lh	2
	10	1025196	(000000-)	Hinge Wldt, Shrd, Lh	1
	11	1020186	(000000-)	Bracket, Latch, Cover	1
	12	1028516	(000000-001030)	Insulation, Shrd, Eng, Gusset	1
	13	1026665	(000000-001030)	Insulation, Flame-Retardant, 0.5	1
	14	21168	(000000-001030)	Clip, .250h, Plstc [Pine-Tree]	14
	15	1026726	(000000-)	Grill, Eng	1
	16	09200	(000000-)	Screw, Pan, M5 X 0.8 X 12, Ss	2
	17	19066	(000000-)	Washer, Flat, #10	2
	18	222267	(000000-)	Screw, Pan, Phl, 06-20 X 0.50, Fmg/Ab	6
	19	1028412	(000000-)	Bracket, Guide, Shrd	1
	20	384418	(000000-)	Latch, Door [Southco 91-562-07]	1
	21	06927	(000000-)	Screw, Pan, M4 X 0.7 X 16, 4.8	2
	22	02850	(000000-)	Nut, Hex, Lock, M4 X 0.7, NI	2
	23	1025806	(000000-)	Plate, Seal, Sound	1
	24	09740	(000000-)	Screw, Hex, M8 X 1.25 X 20, Ss	2
	25	1030588	(000000-)	Seal, Afrmkt, Bulb, 90, 0.75d F/11ga 02ft	2
	26	1024177	(000000-001004)	Hinge Wldt, Door	1
	27	32491	(000000-001004)	Washer, Flat, 0.31, Std	2
	28	16931	(000000-)	Screw, Hex, M8 X 1.25 X 20, 8.8	7
	29	384419	(000000-)	Bracket, Latch, Keeper [Southco]	1
	30	24265	(000000-)	Screw, Pan, M4 X 0.7 X 16, Ss	2
	31	1017218	(000000-)	Washer, Flat, 0.32b 1.00d .12, Ss	15
	32	41139	(000000-)	Washer, Lock, Int-Ext, 10	2
	33	1025196	(001005-)	Hinge Wldt, Shrd, Lh	1
▽	34	1071439	(005000-)	Shroud Assy, Eng	1
▲	35	1026628	(005000-)	Angle, Brace, Shrd	1
▲	36	1017218	(005000-)	Washer, Flat, 0.32b 1.00d .12, Ss	2
▲	37	16931	(005000-)	Screw, Hex, M8 X 1.25 X 20, 8.8	2
	38	1017218	(000000-004999)	Washer, Flat, 0.32b 1.00d .12, Ss	4

STANDARD PARTS

Fig. 11 - GM Engine and Mount Group (00000-004999)

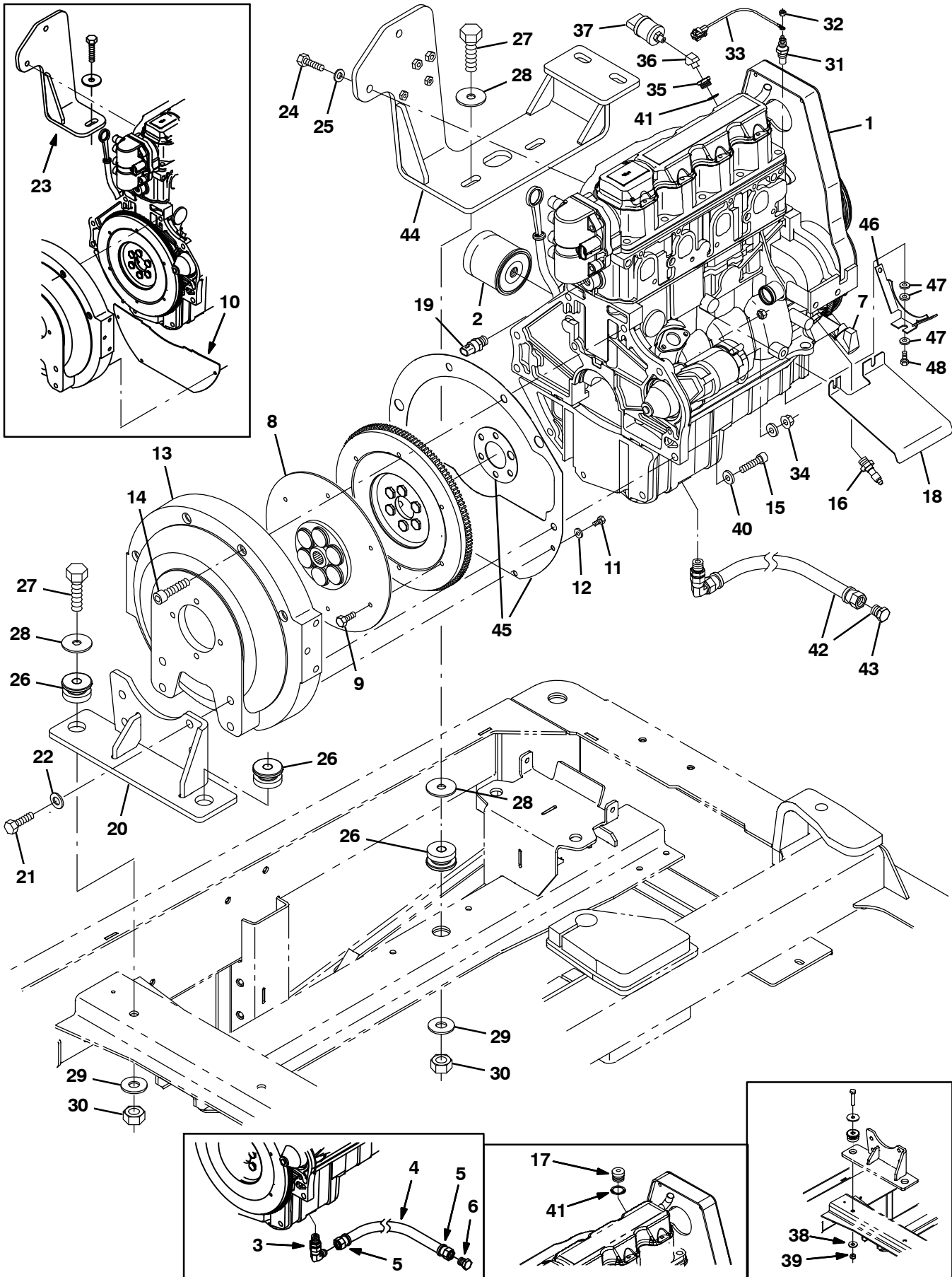


Fig. 11 – GM Engine and Mount Group (000000–004999)

Ref.	Part No.	Serial Number	Description	Qty.
▽	1	372862	(000000–004999) Engine [Long Block Gm 1.6l] (See Engine Breakdown)	1
▲	2	371972	(000000–004999) Element, Fltr, Oil, Eng, Spin-On (GM)	1
	3	372541	(000000–001499) Fitting, E90, M14 X .56	1
	4	371855	(000000–001499) Hose, Hyd, 26.0l	1
	5	371876	(000000–001499) Fitting, End, Hose	2
	6	371890	(000000–001499) Fitting, Pipe, Plug	1
	7	372002	(000000–004999) Sensor, Position, Cshft	1
	8	371866	(000000–004999) Coupling, Drive, 13t	1
	9	9008395	(000000–004999) Screw, Hex, M07–1.00 X 20.0, 8.8	6
	10	371868	(000000–002140) Cover, Hsng, Flywheel (Replaced By 9006895)	1
	11	19315	(000000–004999) Screw, Hex, .25–20 X 0.50, 5	4
	12	32490	(000000–004999) Washer, Flat, 0.25 Std	4
	13	371869	(000000–004999) Housing, Pump	1
	14	371870	(000000–004999) Screw, Soc, M12 X 1.75 X 55, 10.9	4
	15	10832	(000000–004999) Screw, Soc, .38–16 X 1.50, Al	2
	16	371996	(000000–002140) Switch, Indicator, Oil Press	1
	16	9008197	(002141–004999) Switch, Indicator, Oil Press [2010]	1
	17	371860	(000000–001499) Fitting, Pipe, Plug, Metric, M18,Soc	1
	18	372556	(000000–004999) Shield, Starter [1.6l]	1
	19	372953	(000000–004999) Sensor, Temp, Coolant	1
	20	1023288	(000000–004999) Bracket Wldt, Mtg, Eng, Back, Gas/Lpg	1
	21	39810	(000000–004999) Screw, Hex, .50–13 X 1.25, 5	4
	22	32486	(000000–004999) Washer, Flat, 0.50 Sae	4
	23	1011353	(000000–002092) Mount Wldt, Eng, Gas/Lpg	1
	24	39283	(000000–004999) Screw, Hex, M10 X 1.5 X 25, 8.8	2
	25	32485	(000000–004999) Washer, Flat, 0.38 Sae	2
	26	51176	(000000–004999) Isolator, Vib, .50d	3
	27	06972	(000000–004999) Screw, Hex, M12 X 1.75 X 60, 8.8	3
	28	04414	(000000–004999) Washer, Flat, 0.53b 1.88d .12, Stl, Pl	4
	29	32493	(000000–004999) Washer, Flat, 0.50 Std	3
	30	08711	(000000–004999) Nut, Hex, Lock, M12 X 1.75,Nl	3
	31	1042028	(000000–004999) Sensor, Temp, Water [Rework For 1.6GM]	1
	32	50335	(000000–004999) Nut, Hex, Std, M5 X 0.8, 8	1
	33	1030073	(000000–004999) Wire, 16ga 09.6l Brown Mp280/ #10ring	1
	34	41361	(000000–004999) Nut, Hex, Std, M8 X 1.25, Brs	1
	35	1031439	(001500–004999) Fitting, Pipe, Bshg, M18 X 1.5	1
	36	24976	(001500–004999) Fitting, Brs, E45, Pf02/Pm02	1
	37	1055106	(001500–004999) Switch, Press, 0006psi Dpdt	1
	38	32493	(000000–001035) Washer, Flat, 0.50, Std	2
	39	08711	(000000–001035) Nut, Hex, Lock, M12 X 1.75,Nl	2
	40	371877	(000000–004999) Washer, Flat, 0.38, Hardened	2
	41	385029	(000000–004999) Gasket, Plug, Relief Valve,Oil Press	1
	42	9006634	(001500–004999) Hose, Drain, Eng Oil	1
	43	9006635	(001500–004999) Fitting, Plug	1
	44	1046022	(002093–004999) Bracket Wldt, Mtg, Eng	1
	45	9006895	(002141–004999) Plate Kit, Repair	1
	46	1056566	(002124–004999) Plate, Guard, Belt [Gm 1.6l]	1
	47	32490	(002124–004999) Washer, Flat, 0.25, Std	3
	48	06943	(002124–004999) Screw, Hex, M6 X 1.00 X 20, 8.8	1

Fig. 12 – GM Engine EFI Group, Gasoline (000000–001499)

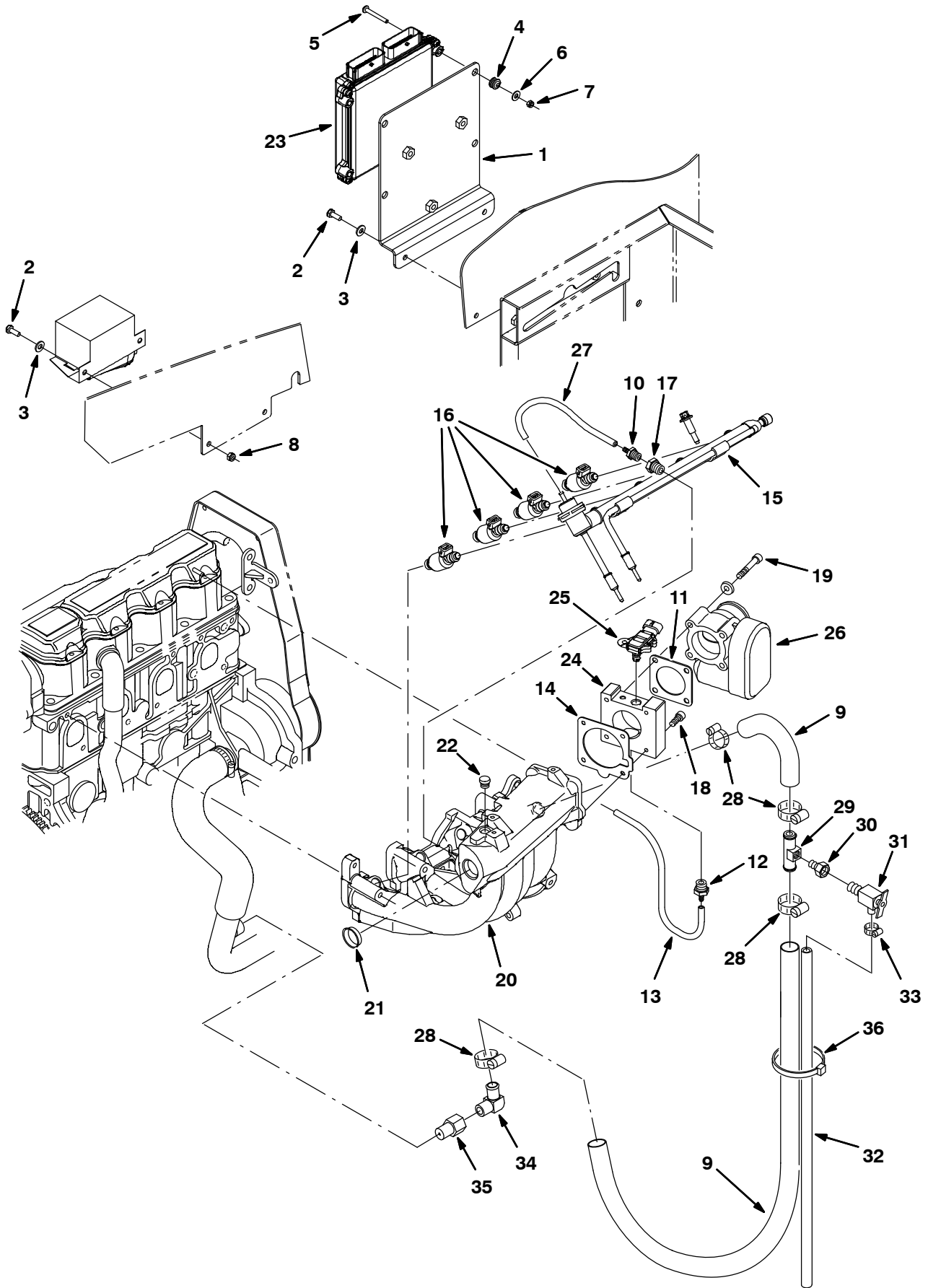


Fig. 12 – GM Engine EFI Group, Gasoline (000000–001499)

Ref.	Part No.	Serial Number	Description	Qty.	
1	1018939	(000000–001499)	Bracket, Mtg [Ecu]	1	
2	06942	(000000–001499)	Screw, Hex, M6 X 1.0 X 16, 8.8	4	
3	32483	(000000–001499)	Washer, Flat, 0.25 Sae	4	
4	46314	(000000–001499)	Grommet, Rbr, 0.20id, F/0.4h, .12 Matl	4	
5	06938	(000000–001499)	Screw, Pan, M5 X 0.8 X 40, 4.8	4	
6	01683	(000000–001499)	Washer, Flat, #10, Ss	8	
7	06549	(000000–001499)	Nut, Hex, Lock, M5 X 0.8, NI	4	
8	08708	(000000–001499)	Nut, Hex, Lock, M6 X 1.0, NI	2	
9	1022364	(000000–001499)	Hose, Heater	1	
10	372542	(000000–001499)	Fitting, Str, .19brb X .12mpt	1	
11	372545	(000000–001499)	Qd36Gasket, Body, Throttle [1.6l]	1	
12	372543	(000000–001499)	Fitting, Vacuum [M16–15–6h]	1	
13	372489	(000000–001499)	Hose, 9.5mm X 450mm [Pcv]	1	
14	372544	(000000–001499)	Gasket, Manifold, Intake	1	
▽	15	372566	(000000–001499)	Rail, Injector, Gas, W/ Press Reg	1
▲	16	372563	(000000–001499)	Injector Kit, Fuel, Gas	4
	17	372537	(000000–001499)	Bushing, M06–1.50 X .25–27npt	1
	18	06532	(000000–001499)	Screw, Soc, M6 X 1.0 X 25, 12.9	4
	19	07255	(000000–001499)	Screw, Soc, M6 X 1.0 X 45, 12.9	4
	20	372547	(000000–001499)	Manifold, Intake [1.6l]	1
	21	372549	(000000–001499)	Plug, Manifold, Intake	1
	22	372550	(000000–001499)	Plug, Port, Sensor [Map]	1
	23	372858	(000000–001499)	Module, Ecu, Gas [Gm 1.6l]	1
	24	372534	(000000–001499)	Adapter, Intake, Throttle Body	1
	25	372493	(000000–001499)	Sensor [Tmap]	1
	26	384974	(000000–001499)	Housing, Throttle, 40mm [Bosch]	1
	27	372546	(000000–001499)	Hose, Fuel, .19	1
	28	63810	(000000–001499)	Clamp, Hose, Wormdrive, 0.56–1.06d, .56w	4
	29	83578	(000000–001499)	Tube, Air Bleed, .62d 2.2l .12npt Alm	1
	30	1015930	(000000–001499)	Fitting, Brs, Str, Pf04/Pm02	1
	31	51305	(000000–001499)	Fitting, Draincock, E90, .25npt	1
	32	73471	(000000–001499)	Hose, Pvc, Clr, 0.38id 0.56od 22.00l	1
	33	43844	(000000–001499)	Clamp, Hose, Wormdrive, 0.25–0.62d, .31w	1
	34	51839	(000000–001499)	Fitting, Brs, E90, Em10/Pm06	1
	35	1015547	(000000–001499)	Fitting, Adapter, Orifice, Pf06/Pm06	1
	36	49266	(000000–001499)	Tie, Cable, Nyl, 07.3l .19w 1.8 Max D	1

STANDARD PARTS

Fig. 13 – GM Engine EFI Group, Gasoline (001500–002140)

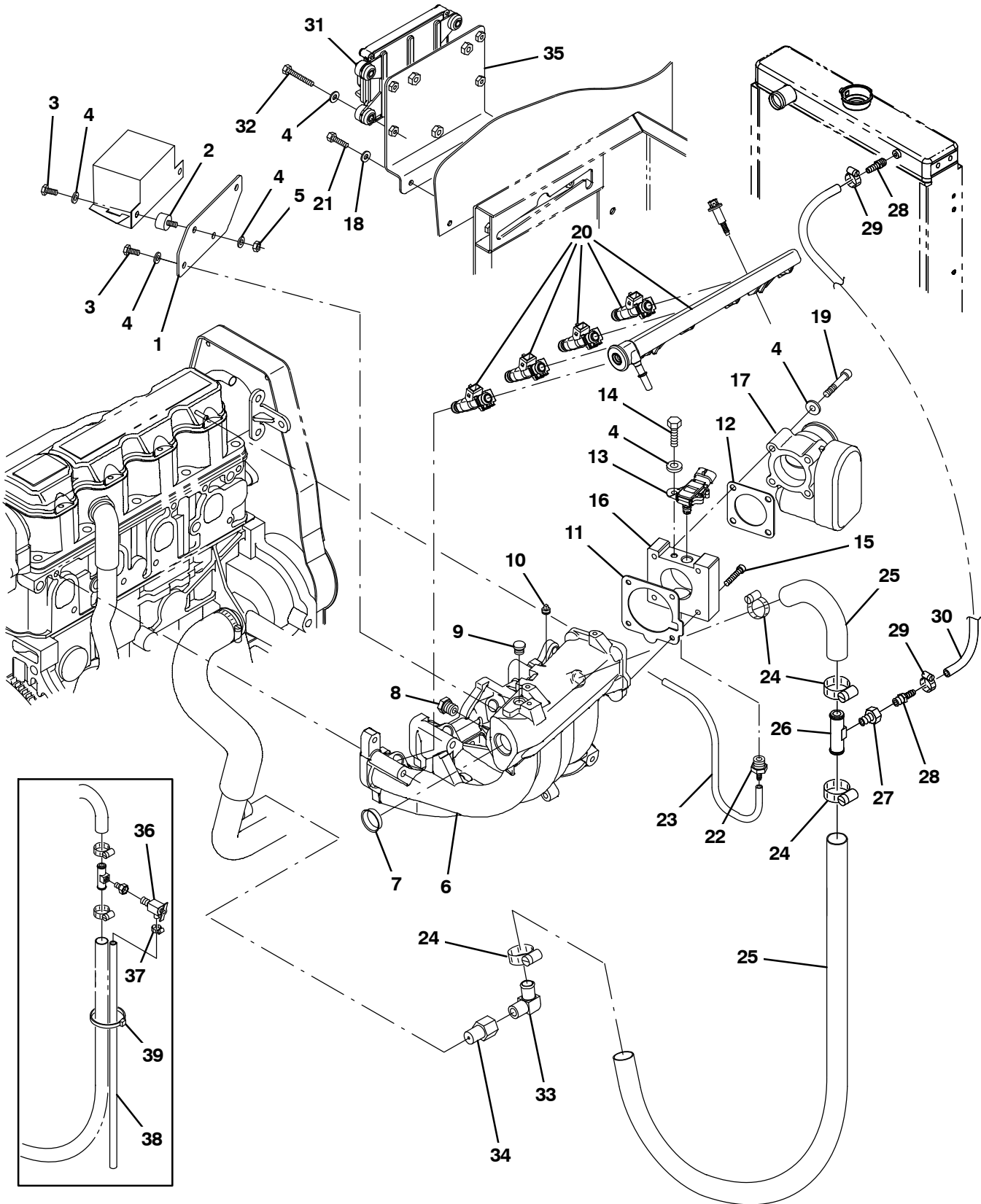


Fig. 13 – GM Engine EFI Group, Gasoline (001500–002140)

Ref.	Part No.	Serial Number	Description	Qty.	
1	1031312	(001500–002140)	Plate, Mtg, Relay	1	
2	372470	(001500–002140)	Isolator, Box, Relay	2	
3	19315	(001500–002140)	Screw, Hex, .25–20 X 0.50, G5	4	
4	32490	(001500–002140)	Washer, Flat, 0.25, Std	13	
5	19312	(001500–002140)	Nut, Hex, Std, .25–20	2	
6	372547	(001500–002140)	Manifold, Intake [1.6l]	1	
7	372549	(001500–002140)	Plug, Manifold, Intake	1	
8	384995	(001500–002140)	Fitting, Plug, M16, Intake Manifold	1	
9	372550	(001500–002140)	Plug, Port, Sensor [Map]	1	
10	372548	(001500–002140)	Plug, .12npt, Ss	1	
▽	9003390	(001500–002140)	Gasket Kit, Repair, Gas [Gm1.6l 2007]	1	
▲	11	372544	(001500–002140)	Gasket, Manifold, Intake	1
▲	12	372545	(001500–002140)	Gasket, Body, Throttle [1.6l]	1
	13	372493	(001500–002140)	Sensor [T Map]	1
	14	19317	(001500–002140)	Screw, Hex, .25–20 X 0.75, G5	1
	15	06532	(001500–002140)	Screw, Soc, M6 X 1.00 X 25, 12.9	4
	16	372534	(001500–002140)	Adapter, Intake, Throttle Body	1
	17	384974	(001500–002140)	Housing, Throttle, 40mm [Bosch]	1
	18	32483	(001500–002140)	Washer, Flat, 0.25, Sae	2
	19	07255	(001500–002140)	Screw, Soc, M6 X 1.00 X 45, 12.9	4
	20	384992	(001500–002140)	Rail, Injector, Fuel, Plstc	1
	21	06942	(001500–002140)	Screw, Hex, M6 X 1.00 X 16, 8.8	2
	22	372543	(001500–002140)	Fitting, Vacuum [M16–15–6h]	1
	23	384972	(001500–002140)	Hose, Vacuum, 0.22id X 15.0l	1
	24	63810	(001500–002140)	Clamp, Hose, Wormdrive, 0.56–1.06d, .56w	4
	25	1022364	(001500–002140)	Hose, Heater	1
	26	83578	(001500–002140)	Tube, Bleed, Air, .62od 2.2l .12npt, Alm	1
	27	1015930	(001500–002140)	Fitting, Brs, Str, Pf04/Pm02	2
	28	150516	(001720–002140)	Fitting, Brs, Str, Bm06/Pm05	2
	29	54333	(001720–002140)	Clamp, Hose, Wormdrive, 0.31–0.88d, .31w	2
	30	1043481	(001720–002140)	Hose, Heater, 0.38ID	1
	31	1028711	(001500–002140)	Module, Ecu, Gas [Gm1.6l 2700]	1
	32	06946	(001500–002140)	Screw, Hex, M6 X 1.00 X 35, 8.8	1
	33	51839	(001500–002140)	Fitting, Brs, E90, Em10/Pm06	1
	34	1015547	(001500–002140)	Fitting, Adapter, Orifice, Pf06/Pm06	1
	35	1029082	(001500–002140)	Bracket, Mtg, Ecu [M20/T20 2007]	1
	36	51305	(001500–001719)	Fitting, Draincock, E90, .25npt	1
	37	43844	(001500–001719)	Clamp, Hose, Wormdrive, 0.25–0.62d, .31w	1
	38	73471	(001500–001719)	Hose, Pvc, Clr, 0.38id 0.56od 022.0l	1
	39	49266	(001500–001719)	Tie, Cable, Nyl, 07.3l .19w 1.8 Max D	1

Fig. 14 – GM Engine EFI Group, Gasoline (002141–004999)

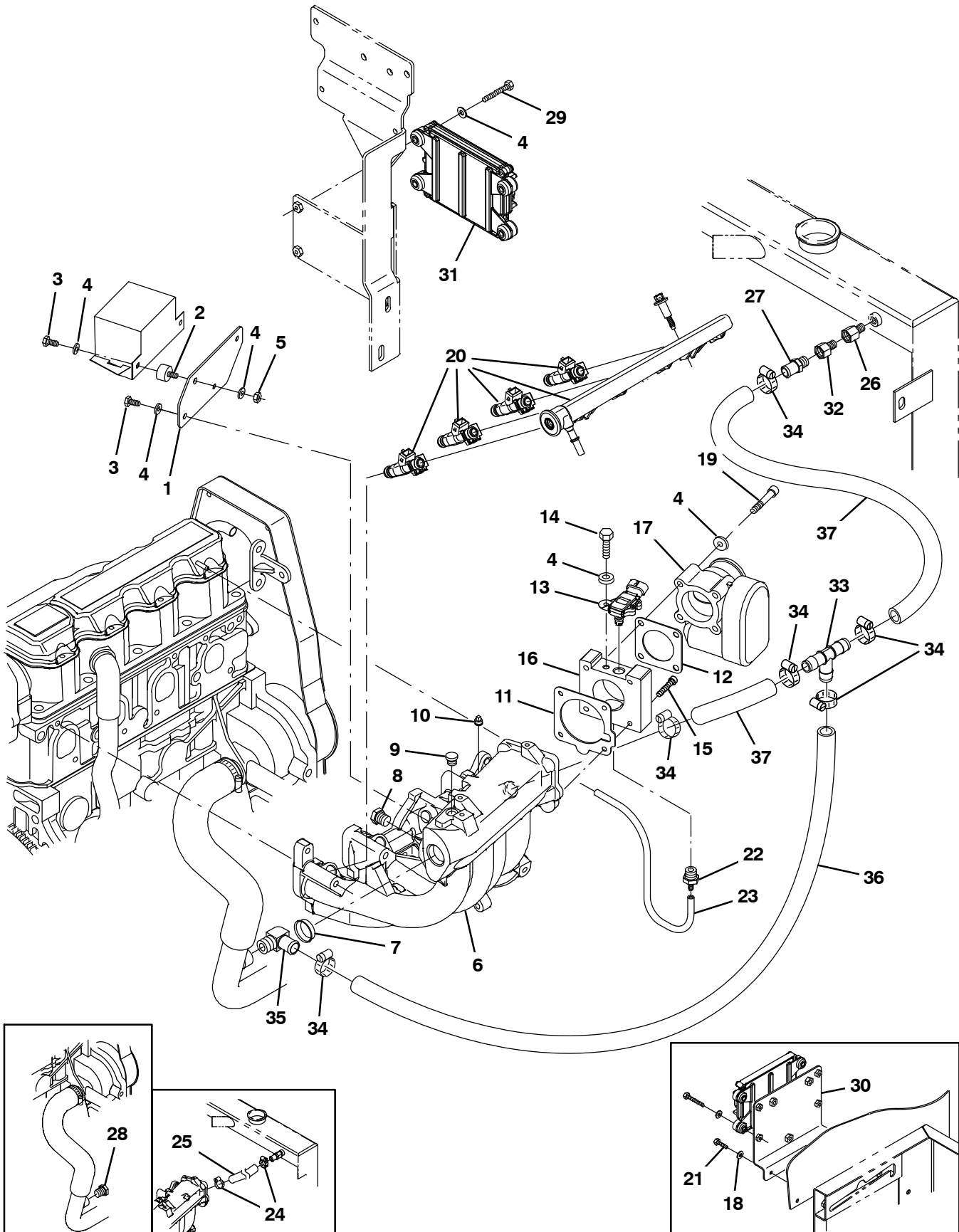


Fig. 14 – GM Engine EFI Group, Gasoline (002141–004999)

Ref.	Part No.	Serial Number	Description	Qty.
1	1031312	(002141–004999)	Plate, Mtg, Relay	1
2	372470	(002141–004999)	Isolator, Box, Relay	2
3	19315	(002141–004999)	Screw, Hex, .25–20 X 0.50, G5	4
4	32490	(002141–004999)	Washer, Flat, 0.25, Std	13
5	19312	(002141–004999)	Nut, Hex, Std, .25–20	2
6	372547	(002141–004999)	Manifold, Intake [1.6l]	1
7	372549	(002141–004999)	Plug, Manifold, Intake	1
8	384995	(002141–004999)	Fitting, Plug, M16, Intake Manifold	1
9	372550	(002141–004999)	Plug, Port, Sensor [Map]	1
10	372548	(002141–004999)	Plug, .12npt, Ss	1
▽	9003390	(002141–004999)	Gasket Kit, Repair, Gas [Gm1.6l 2007]	1
▲	11 372544	(002141–004999)	Gasket, Manifold, Intake	1
▲	12 372545	(002141–004999)	Gasket, Body, Throttle [1.6l]	1
	13 372493	(002141–004999)	Sensor [T Map]	1
	14 19317	(002141–004999)	Screw, Hex, .25–20 X 0.75, G5	1
	15 06532	(002141–004999)	Screw, Soc, M6 X 1.00 X 25, 12.9	4
	16 9006619	(002141–004999)	Adapter	1
	17 384974	(002141–004999)	Housing, Throttle, 40mm [Bosch]	1
	18 32483	(002141–002182)	Washer, Flat, 0.25, Sae	2
	19 07255	(002141–004999)	Screw, Soc, M6 X 1.00 X 45, 12.9	4
	20 384992	(002141–004999)	Rail, Injector, Fuel, Plstc	1
	21 06942	(002141–002182)	Screw, Hex, M6 X 1.00 X 16, 8.8	2
	22 372543	(002141–004999)	Fitting, Vacuum [M16–15–6h]	1
	23 384972	(002141–004999)	Hose, Vacuum, 0.22id X 15.0l	1
	24 63810	(002141–002253)	Clamp, Hose, Wormdrive, 0.56–1.06d, .56w	2
	25 61869	(002141–002253)	Hose, Heater, 0.62id, 024.0l	1
	26 1042772	(002141–004999)	Fitting, Brs, Str, Pf06/Pm04	1
	27 27767	(002141–004999)	Fitting, Brs, Str, Em10/Pm06	1
	28 762282	(002141–002253)	Fitting, Hyd, Plug, Pm06	1
	29 06946	(002141–004999)	Screw, Hex, M6 X 1.00 X 35, 8.8	4
	30 1029082	(002141–002182)	Bracket, Mtg, Ecu [M20/T20 2007]	1
	31 1056232	(002141–004999)	Module, Ecu, Gas [Gm1.6l 2010]	1
	32 1015547	(002141–004999)	Fitting, Adapter, Orifice, Pf06/Pm06	1
	33 1062116	(002254–004999)	Fitting, Plstc, Tee, Bm10/Bm10/Bm10	1
	34 63810	(002254–004999)	Clamp, Hose, Wormdrive, 0.56–1.06d, .56w	7
	35 51839	(002254–004999)	Fitting, Brs, E90, Em10/Pm06	1
	36 1016560	(002254–004999)	Hose, Afmkt, Rbr, Heater, 0.62id, 02ft	1
	37 1015897	(002254–004999)	Hose, Radiator, Mold, .75ld X .62ld (Cut in two)	1

Fig. 15 - GM Engine EFI Group, LPG (000000-001499)

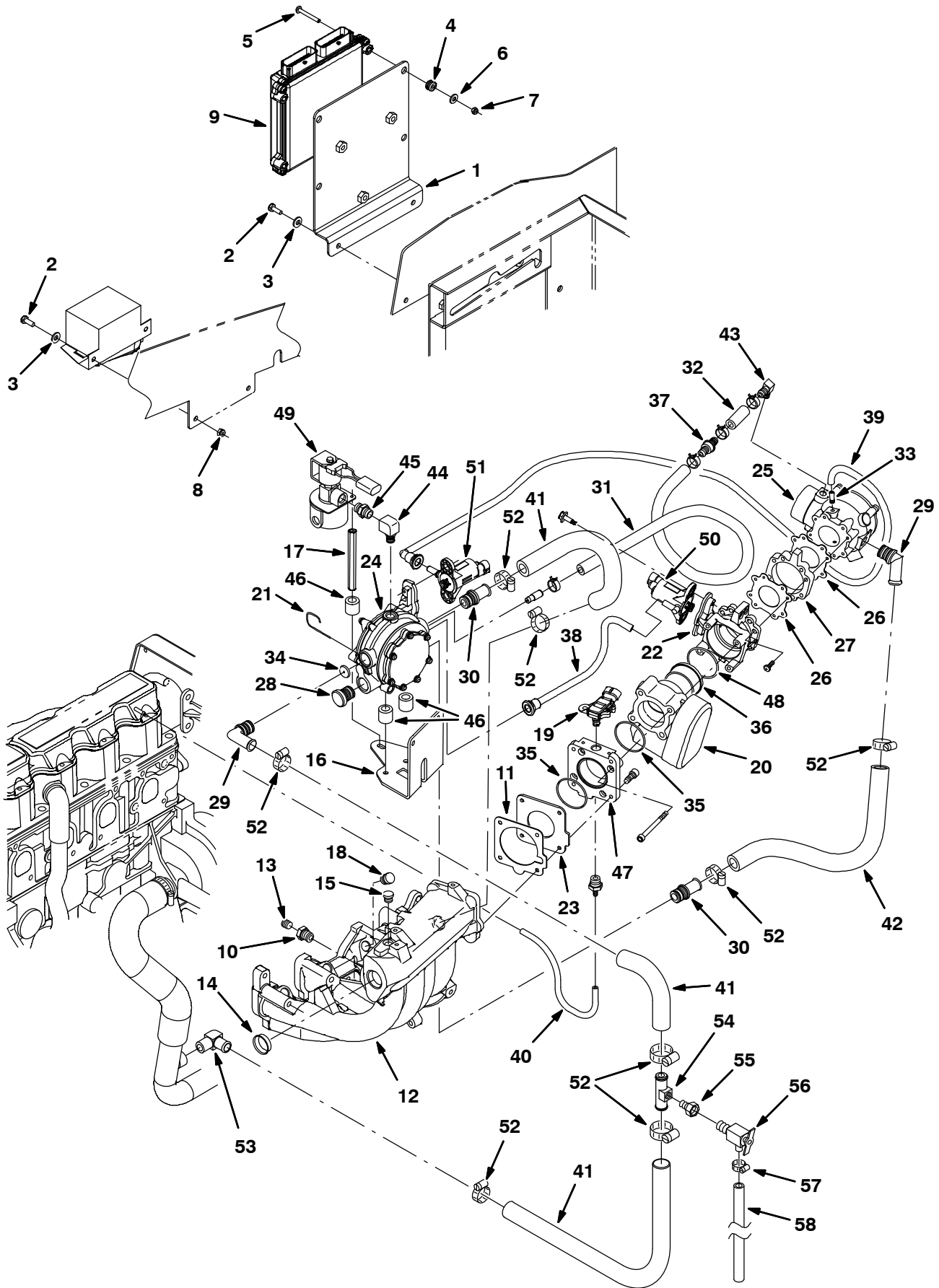


Fig. 15 – GM Engine EFI Group, LPG (000000–001499)

Ref.	Part No.	Serial Number	Description	Qty.	
1	1018939	(000000–001499)	Bracket, Mtg [Ecu]	1	
2	06942	(000000–001499)	Screw, Hex, M6 X 1.0 X 16, 8.8	4	
3	32483	(000000–001499)	Washer, Flat, 0.25 Sae	4	
4	46314	(000000–001499)	Grommet, Rbr, 0.20id, F/0.4h, .12 Matl	4	
5	06938	(000000–001499)	Screw, Pan, M5 X 0.8 X 40, 4.8	4	
6	01683	(000000–001499)	Washer, Flat, #10, Ss	8	
7	06549	(000000–001499)	Nut, Hex, Lock, M5 X 0.8, NI	4	
8	08708	(000000–001499)	Nut, Hex, Lock, M6 X 1.0, NI	2	
9	372857	(000000–001499)	Module, Ecu, Lpg [Gm 1.6l]	1	
10	372537	(000000–001499)	Bushing, M06–1.50 X .25–27npt	1	
11	372544	(000000–001499)	Gasket, Manifold, Intake	1	
12	372547	(000000–001499)	Manifold, Intake [1.6l]	1	
13	372548	(000000–001499)	Plug, .12npt, Ss	1	
14	372549	(000000–001499)	Plug, Manifold, Intake	1	
15	372550	(000000–001499)	Plug, Port, Sensor [Map]	1	
16	372576	(000000–001499)	Bracket, Reg [1.6l]	1	
17	372577	(000000–001499)	Spacer, Sppt, Fltr Lock Off	1	
18	372579	(000000–001499)	Plug, Hole, Injector	4	
19	372493	(000000–001499)	Sensor [Tmap]	1	
20	372482	(000000–001499)	Housing, Throttle, 40mm [Bosch]	1	
21	372523	(000000–001499)	Pin, Retainer	5	
22	372580	(000000–001499)	Adapter, Valve, Fuel Trim	1	
23	372582	(000000–001499)	Adapter, Plate	1	
24	372500	(000000–001499)	Regulator, Lpg	1	
25	372898	(000000–001499)	Mixer, Lpg [Gm 1.6l]	1	
26	372608	(000000–001499)	Gasket	2	
27	372612	(000000–001499)	Adapter, Throttle Body	1	
28	372515	(000000–001499)	Fitting, Cap	1	
29	372512	(000000–001499)	Fitting, E70	2	
30	372514	(000000–001499)	Fitting, Str	2	
31	372506	(000000–001499)	Hose, Balancing, Press, 680mm	1	
32	372507	(000000–001499)	Hose, Balancing, Press, 045mm	1	
33	372511	(000000–001499)	Fitting, Hose, Vacuum, .25	1	
34	372517	(000000–001499)	Restrictor, Jet, Coolant	1	
35	372484	(000000–001499)	Seal, Org	1	
36	372498	(000000–001499)	Sleeve, Throttle, Plstc [Bosch]	1	
37	372569	(000000–001499)	Valve, Check	1	
38	372609	(000000–001499)	Hose, 170mm [Ftv–Ptv]	1	
39	372605	(000000–001499)	Hose, Valve, Press Trim, 350mm	1	
40	372607	(000000–001499)	Hose, 9.5mm X 290mm [Pcv]	1	
41	372528	(000000–001499)	Hose, Mold, .62 To .75	1	
42	372606	(000000–001499)	Hose, 355mm [FI–Vrp]	1	
43	372510	(000000–001499)	Fitting, E90	1	
44	372611	(000000–001499)	Fitting, Str, E90, .25npt	1	
45	372610	(000000–001499)	Fitting, Nipple, .25npt, Brs	1	
46	372518	(000000–001499)	Isolator, Mtg, Vaporizer, Rbr	3	
47	372558	(000000–001499)	Adapter [1.6]	1	
48	372613	(000000–001499)	Seal, Org, Throttle Body	1	
▽	49	372503	(000000–001499)	Valve, Fuelock, Lpg, Wire Connector	1
▲		372615	(000000–001499)	Filter Kit, Fuelock, Lpg	1

Fig. 15 – GM Engine EFI Group, LPG (000000–001499)

Ref.	Part No.	Serial Number	Description	Qty.
50	372501	(000000–001499)	Valve, Trim, Fuel, Normal Flow	1
51	372497	(000000–001499)	Valve, Body, Throttle, Lpg	1
52	63810	(000000–001499)	Clamp, Hose, Wormdrive, 0.56–1.06d, .56w	9
53	51839	(000000–001499)	Fitting, Brs, E90, Em10/Pm06	1
54	83578	(000000–001499)	Tube, Air Bleed, .62d 2.2l .12npt Alm	1
55	1015930	(000000–001499)	Fitting, Brs, Str, Pf04/Pm02	1
56	51305	(000000–001499)	Fitting, Draincock, E90, .25npt	1
57	43844	(000000–001499)	Clamp, Hose, Wormdrive, 0.25–0.62d, .31w	1
58	73471	(000000–001499)	Hose, Pvc, Clr, 0.38id 0.56od 22.00l	1

STANDARD PARTS

Fig. 16 – GM Engine EFI Group, LPG (001500-004999)

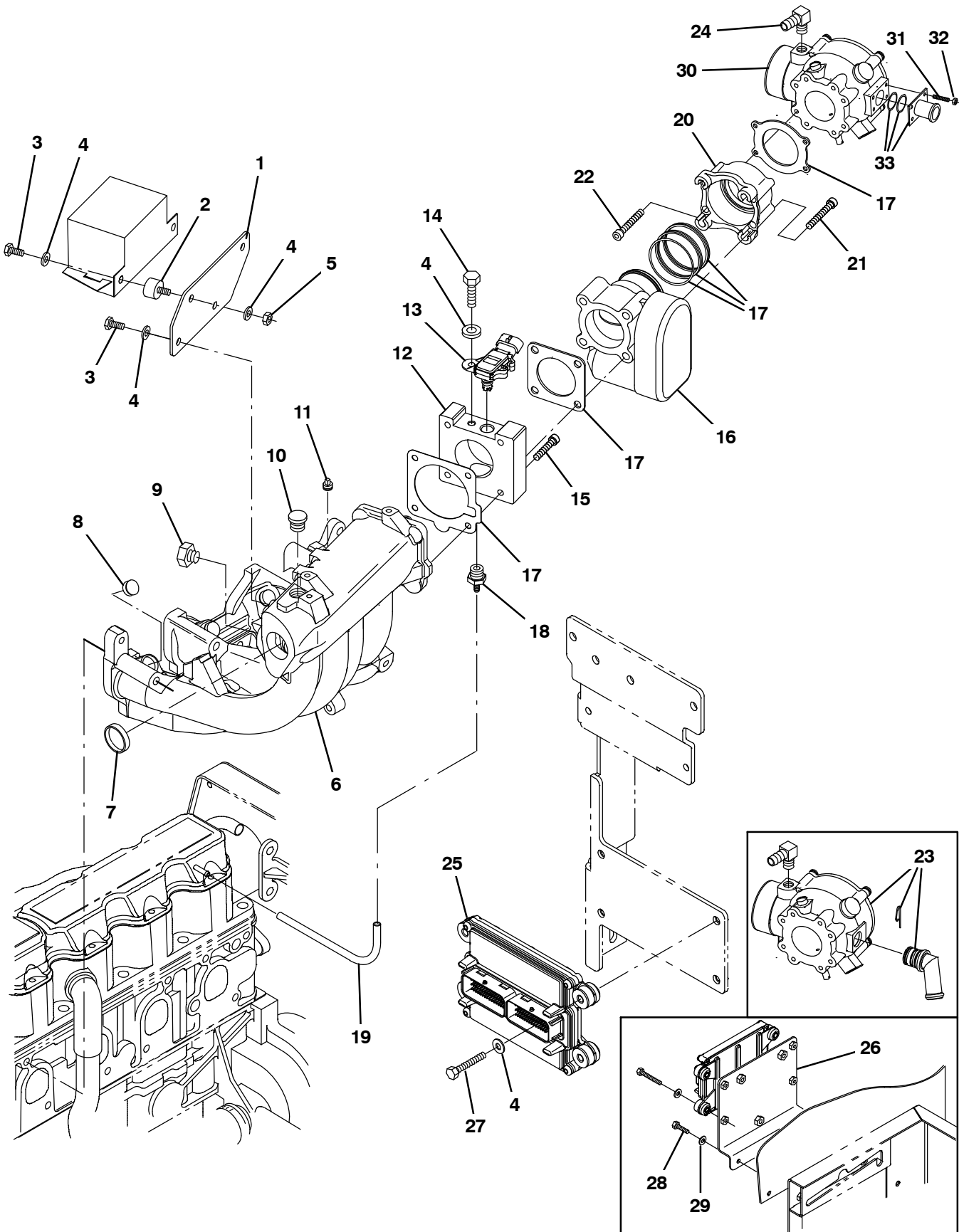


Fig. 16 – GM Engine EFI Group, LPG (001500–004999)

Ref.	Part No.	Serial Number	Description	Qty.	
1	1031312	(001500–004999)	Plate, Mtg, Relay	1	
2	372470	(001500–004999)	Isolator, Box, Relay	2	
3	19315	(001500–004999)	Screw, Hex, .25–20 X 0.50, G5	4	
4	32490	(001500–004999)	Washer, Flat, 0.25, Std	9	
5	19312	(001500–004999)	Nut, Hex, Std, .25–20	2	
6	372547	(001500–004999)	Manifold, Intake [1.6l]	1	
7	372549	(001500–004999)	Plug, Manifold, Intake	1	
8	372579	(001500–004999)	Plug, Hole, Injector	4	
9	384995	(001500–004999)	Fitting, Plug, M16, Intake Manifold	1	
10	372550	(001500–004999)	Plug, Port, Sensor [Map]	1	
11	372548	(001500–004999)	Plug, .12npt, Ss	1	
12	372534	(001500–002140)	Adapter, Intake, Throttle Body	1	
12	9006619	(002141–004999)	Adapter	1	
13	372493	(001500–004999)	Sensor [T Map]	1	
14	19317	(001500–004999)	Screw, Hex, .25–20 X 0.75, G5	1	
15	06532	(001500–004999)	Screw, Soc, M6 X 1.00 X 25, 12.9	4	
16	384974	(001500–004999)	Housing, Throttle, 40mm [Bosch]	1	
17	9003391	(001500–004999)	Gasket Kit, Repair, Lpg [Gm1.6l 2007]	1	
18	372543	(001500–004999)	Fitting, Vacuum [M16–15–6h]	1	
19	384972	(001500–004999)	Hose, Vacuum, 0.22id X 15.0l	1	
20	384996	(001500–004999)	Adapter, Valve, 400mm [Bosch]	1	
21	09037	(001500–004999)	Screw, Soc, M8 X 1.25 X 70, 12.9	4	
22	384991	(001500–004999)	Bolt, Soc Head, M5 X 80 X 35	4	
23	384980	(001500–002140)	Mixer, W/70deg Ftg	1	
24	372510	(001500–004999)	Fitting, E90	1	
25	1028722	(001500–002140)	Module, Ecu, Lpg [Gm1.6l 2007]	1	
25	1056233	(002141–004999)	Module, Ecu, Lpg [Gm1.6l 2010]	1	
26	1029082	(001500–002182)	Bracket, Mtg, Ecu	1	
27	06946	(001500–004999)	Screw, Hex, M6 X 1.00 X 35, 8.8	4	
28	06942	(001500–002182)	Screw, Hex, M6 X 1.00 X 16, 8.8	2	
29	32483	(001500–002182)	Washer, Flat, 0.25, Sae	2	
▽	30	9006618	(002141–004999)	Mixer , Lpg	1
▲		9010634	(002141–004999)	Repair Kit, Mixer	1
	31	9007424	(002141–004999)	Stud, M05–0.8	4
	32	9007423	(002141–004999)	Nut, Flng, M05–0.8	4
	33	1055170	(002141–004999)	Fitting, Fuel [Mixer E100Lp 2010]	1

Fig. 17 - GM Engine Vaporizer Group, LPG (001500-002140)

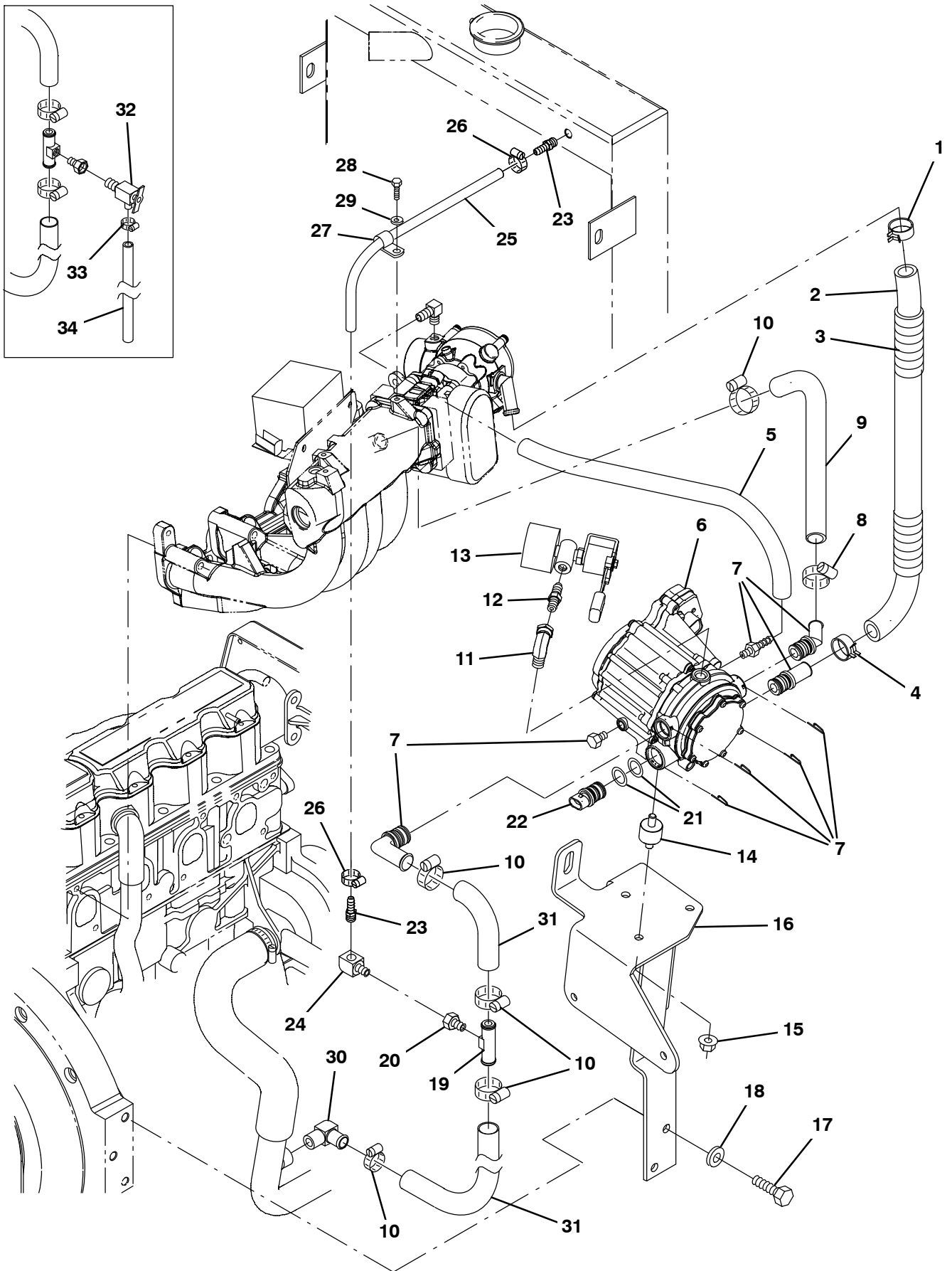


Fig. 17 – GM Engine Vaporizer Group, LPG (001500–002140)

Ref.	Part No.	Serial Number	Description	Qty.	
1	384970	(001500–002140)	Clamp, Hose, Spring, 0.75d	1	
2	384983	(001500–002140)	Hose [Mixer To Epr]	1	
3	384971	(001500–002140)	Cover, Hose	1	
4	384979	(001500–002140)	Clamp, Hose, Spring, 0.62d	1	
5	384973	(001500–002140)	Hose, Supply, Gas, .25id	1	
6	384977	(001500–002140)	Regulator [Ep]	1	
7	384978	(001500–002140)	Fitting Kit [Epr]	1	
8	372539	(001500–002140)	Clamp, Hose, 1.0	1	
9	384984	(001500–002140)	Hose [Epr To Manifold]	1	
10	63810	(001500–002140)	Clamp, Hose, Wormdrive, 0.56–1.06d, .56w	5	
11	11442–1	(001500–002140)	Fitting, Hyd, E90, Spcl	1	
12	372529	(001500–002140)	Fitting, Nipple, .25mal	1	
▽	13	384975	(001500–002140)	Valve, Lock Off	1
▲		372615	(001500–002140)	Filter Kit, Fuelock, Lpg	1
14	384986	(001500–002140)	Isolator [Epr]	3	
15	07791	(001500–002140)	Nut, Hex, Flng, M8 X 1.25	3	
16	1028343	(001500–002140)	Bracket Wldt, Mtg, Regulator, Lpg	1	
17	371770	(001500–002140)	Screw	2	
18	371877	(001500–002140)	Washer, Flat, 0.38, Hardened	2	
19	83578	(001500–002140)	Tube, Bleed, Air, .62od 2.2l .12npt, Alm	1	
20	1015930	(001500–002140)	Fitting, Brs, Str, Pf04/Pm02	1	
21	1041151	(001500–002140)	Seal, Org, Sensor, Temp [Epr]	2	
22	1041152	(001500–002140)	Sensor, Temp [Epr]	1	
23	150516	(001720–002140)	Fitting, Brs, Str, Bm06/Pm05	2	
24	27048	(001720–002140)	Fitting, Brs, E90, Pf04/Pm04	1	
25	1043481	(001720–002140)	Hose, Heater, 0.38id	1	
26	54333	(001720–002140)	Clamp, Hose, Wormdrive, 0.31–0.88d, .31w	2	
27	67767	(001720–002140)	Clamp, Cable, Stl, 0.69d X 0.62w, 1hole	1	
28	06942	(001720–002140)	Screw, Hex, M6 X 1.00 X 16, 8.8	1	
29	32490	(001720–002140)	Washer, Flat, 0.25, Std	1	
30	51839	(001500–002140)	Fitting, Brs, E90, Em10/Pm06	1	
31	372528	(001500–002140)	Hose, Mold, .62 To .75 (Cut in 2)	1	
32	51305	(001500–001719)	Fitting, Draincock, E90, .25npt	1	
33	43844	(001500–001719)	Clamp, Hose, Wormdrive, 0.25–0.62d, .31w	1	
34	73471	(001500–001719)	Hose, Pvc, Clr, 0.38id 0.56od 0.22.0l	1	

STANDARD PARTS

Fig. 18 - GM Engine Vaporizer Group, LPG (002141-004999)

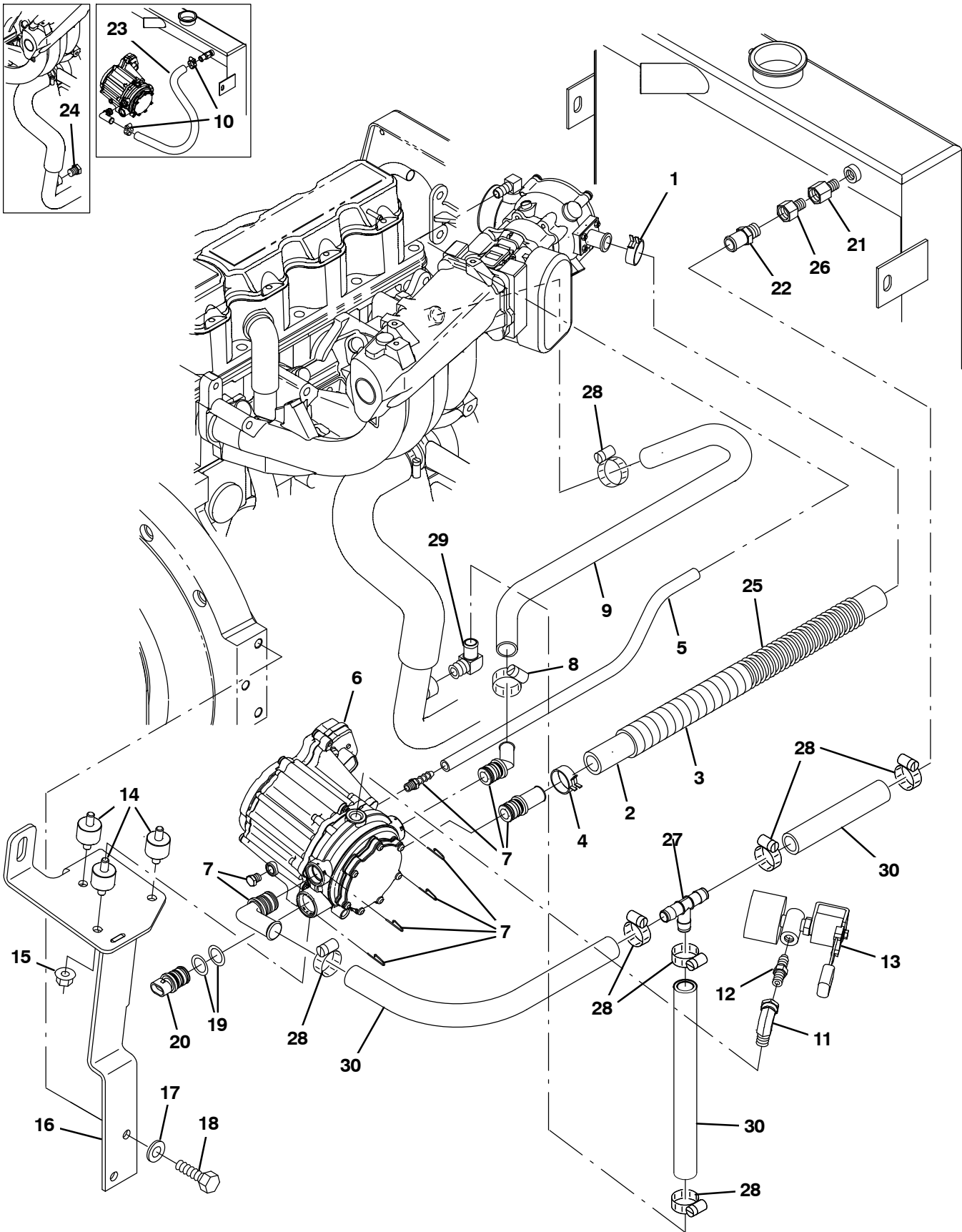


Fig. 18 – GM Engine Vaporizer Group, LPG (002141–004999)

Ref.	Part No.	Serial Number	Description	Qty.	
1	384970	(002141–004999)	Clamp, Hose, Spring, 0.75d	1	
2	9007552	(002141–004999)	Hose, Fuel [Mixer To Epr, 22.5”L]	1	
3	384971	(002141–004999)	Cover, Hose	1	
4	384979	(002141–004999)	Clamp, Hose, Spring, 0.62d	1	
5	384973	(002141–004999)	Hose, Supply, Gas, .25id	1	
6	384977	(002141–004999)	Regulator [Ep]	1	
7	384978	(002141–004999)	Fitting Kit [Epr]	1	
8	372539	(002141–004999)	Clamp, Hose, 1.0	1	
9	384984	(002141–004999)	Hose [Epr To Manifold]	1	
10	63810	(002141–002253)	Clamp, Hose, Wormdrive, 0.56–1.06d, .56w	3	
11	11442–1	(002141–004999)	Fitting, Hyd, E90, Spcl	1	
12	372529	(002141–004999)	Fitting, Nipple, .25mal	1	
▽	13	9006620	(002141–004999)	Valve, Lock Off [Gm 1.6L 2010]	1
▲	9007380	(002141–004999)	Filter Kit, Fuelock, Lpg	1	
14	384986	(002141–004999)	Isolator [Epr]	3	
15	07791	(002141–004999)	Nut, Hex, Flng, M8 X 1.25	3	
16	1056300	(002141–004999)	Bracket Wldt, Mtg, Reg, Lpg[Gm 2010]	1	
17	371770	(002141–004999)	Screw	2	
18	371877	(002141–004999)	Washer, Flat, 0.38, Hardened	2	
19	1041151	(002141–004999)	Seal, Org, Sensor, Temp [Epr]	2	
20	1041152	(002141–004999)	Sensor, Temp [Epr]	1	
21	1042772	(002141–004999)	Fitting, Brs, Str, Pf06/Pm04	2	
22	27767	(002141–004999)	Fitting, Brs, Str, Em10/Pm06	1	
23	13048	(002141–002253)	Hose, Heater, 0.62id, 038.0l	1	
24	762282	(002141–002253)	Fitting, Hyd, Plug, Pm06	1	
25	9007553	(002141–004999)	Spring, 3/4 X 16 [Gm1.6L 2010 Lpg]	1	
26	1015547	(002141–004999)	Fitting, Adapter, Orifice, Pf06/Pm06	1	
27	1062116	(002254–004999)	Fitting, Plstc, Tee, Bm10/Bm10/Bm10	1	
28	63810	(002254–004999)	Clamp, Hose, Wormdrive, 0.56–1.06d, .56w	7	
29	51839	(002254–004999)	Fitting, Brs, E90, Em10/Pm06	1	
30	1016560	(002254–004999)	Hose, Afmkt, Rbr, Heater, 0.62id, 02ft	1	

Fig. 19 – GM Engine Air Cleaner Group, Gasoline (000000–001499)

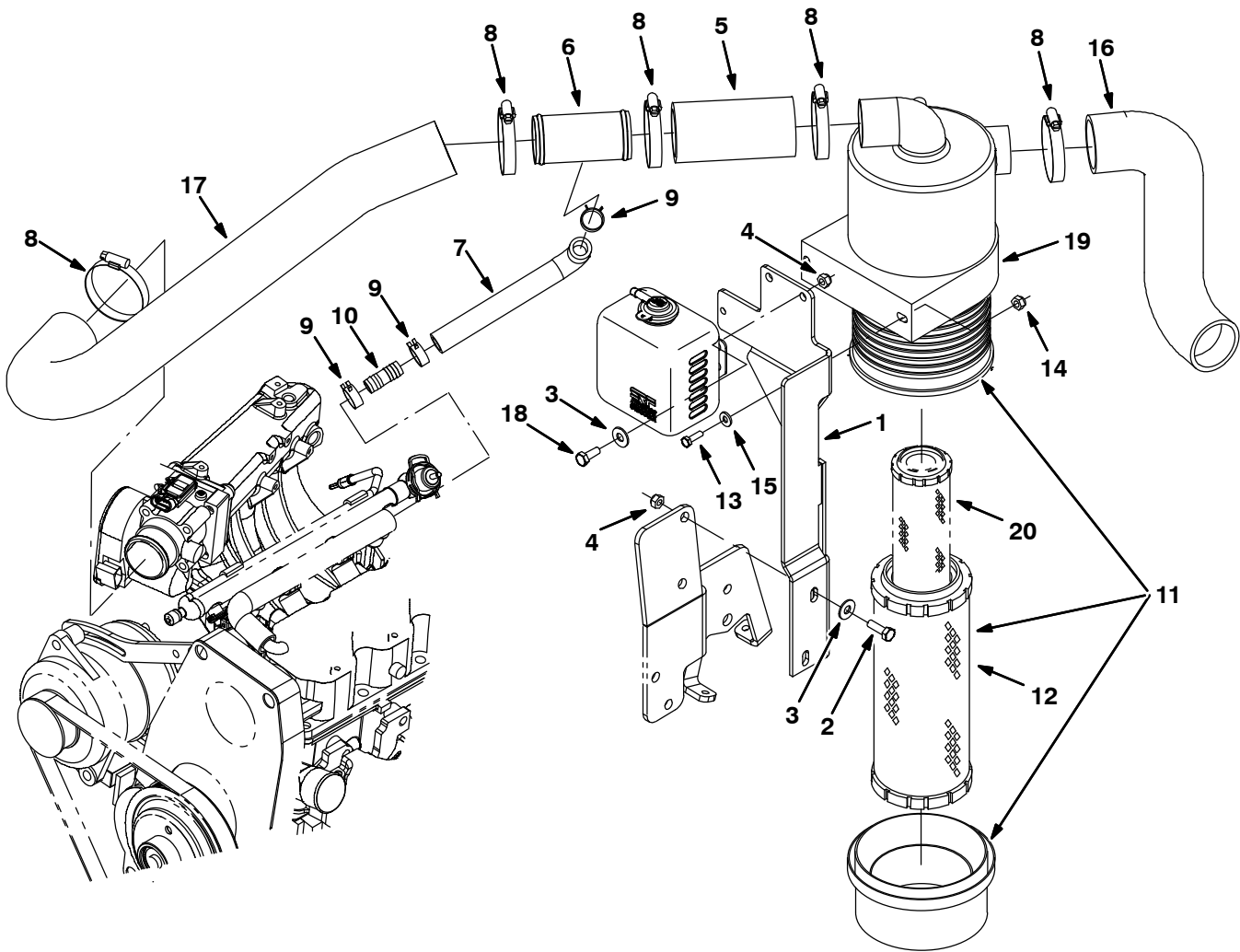


Fig. 19 – GM Engine Air Cleaner Group, Gasoline (000000–001499)

Ref.	Part No.	Serial Number	Description	Qty.	
1	1027856	(000000–001499)	Bracket, Mtg, Fltr, Air	1	
2	39277	(000000–001499)	Screw, Hex, M8 X 1.25 X 25, 8.8	2	
3	32491	(000000–001499)	Washer, Flat, 0.31, Std	4	
4	08709	(000000–001499)	Nut, Hex, Lock, M8 X 1.25, NI	4	
5	15543–2	(000000–001499)	Hose, Rbr, 2.00id 2.50od 05.0l	1	
6	1011780	(000000–001499)	Tube Wldt, Tee	1	
7	1021514	(000000–001499)	Hose, Heater, E90, 0.62id 07.0 2.0	1	
8	14432	(000000–001499)	Clamp, Hose, Wormdrive, 1.81–2.75d, .50w	5	
9	1011899	(000000–001499)	Clamp, Hose, Spring Stl, 0.86d X 0.38w	3	
10	365164	(000000–001499)	Fitting, Plstc, Str, Bm10/Bm10	1	
▽	11	369745	(000000–001499)	Filter Assy, Air	1
▲	12	369746	(000000–001499)	Element, Fltr, Air [Dn]	1
	13	06943	(000000–001499)	Screw, Hex, M6 X 1.0 X 20, 8.8	2
	14	08708	(000000–001499)	Nut, Hex, Lock, M6 X 1.0, NI	2
	15	32483	(000000–001499)	Washer, Flat, 0.25 Sae	2
	16	1020949	(000000–001499)	Hose, Intake, Mold, 2.00id [Epdm]	1
	17	1017978	(000000–001499)	Hose, Intake, Mold, 2.00id, Gas [Epdm]	1
	18	16931	(000000–001499)	Screw, Hex, M8 X 1.25 X 20, 8.8	2
	19	369747	(000000–001499)	Clamp, Mtg, Fltr, Air	1
	20	398279	(000000–001499)	Element, Fltr, Air, Safety (Option)	1

Fig. 20 – GM Engine Air Cleaner Group, Gasoline (001500-004999)

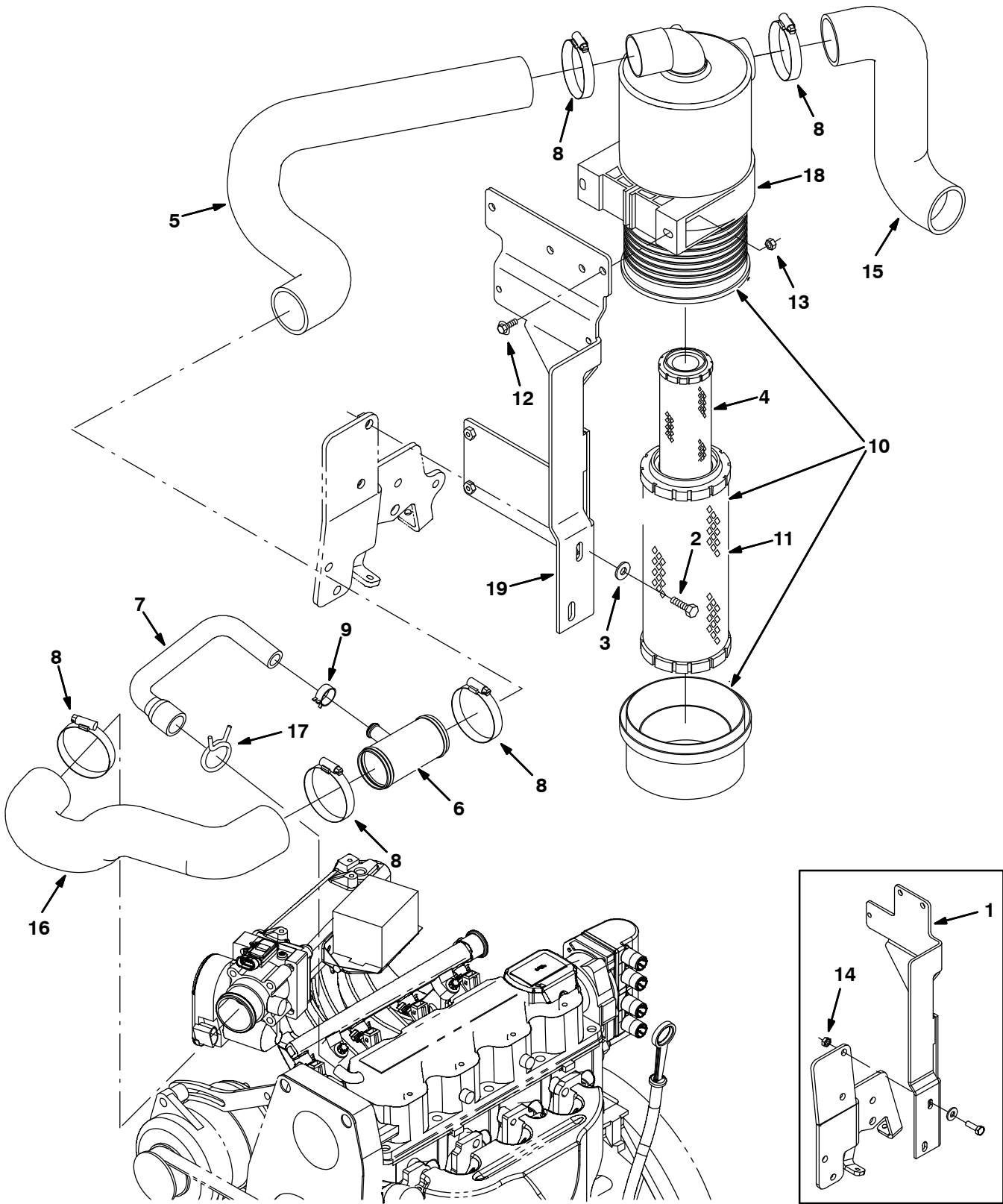


Fig. 20 – GM Engine Air Cleaner Group, Gasoline (001500–004999)

Ref.	Part No.	Serial Number	Description	Qty.	
1	1027856	(001500–002140)	Bracket, Mtg, Fltr, Air	1	
2	39277	(001500–004999)	Screw, Hex, M8 X 1.25 X 25, 8.8	2	
3	32491	(001500–004999)	Washer, Flat, 0.31, Std	2	
4	398279	(001500–004999)	Element, Fltr, Air, Safety (Option)	1	
5	1031614	(001500–004999)	Hose, Intake, Mold, 2.0id [Epdm M20/T20]	1	
6	1011780	(001500–004999)	Tube Wldt, Tee	1	
7	1032323	(001500–004999)	Hose, Vent, E90, 0.62id[Gm1.6l 2007]	1	
8	14432	(001500–004999)	Clamp, Hose, Wormdrive, 1.81–2.75d, .50w	5	
9	1011899	(001500–004999)	Clamp, Hose, Spring Stl, 0.86d X 0.38w	1	
▽	10	369745	(001500–004999)	Filter Assy, Air	1
▲	11	369746	(001500–004999)	Element, Fltr, Air [Dn]	1
	12	1036892	(001500–004999)	Screw, Hex, M6 X 1.00 X 25, 9.8 Sems	2
	13	08708	(001500–004999)	Nut, Hex, Lock, M6 X 1.00, NI	2
	14	08709	(001500–xxxxxx)	Nut, Hex, Lock, M8 X 1.25, NI	2
	15	1020949	(001500–004999)	Hose, Intake, Mold, 2.00id [Epdm]	1
	16	1031609	(001500–004999)	Hose, Intake, Mold, 2.0id, Gas	1
	17	371854	(001500–004999)	Clamp, Spring, 1.50	1
	18	369747	(001500–004999)	Clamp, Mtg, Fltr, Air	1
	19	1056355	(002141–004999)	Bracket, Mtg, Fltr, Air	1

Fig. 21 - GM Engine Air Cleaner Group, LPG (000000-001499)

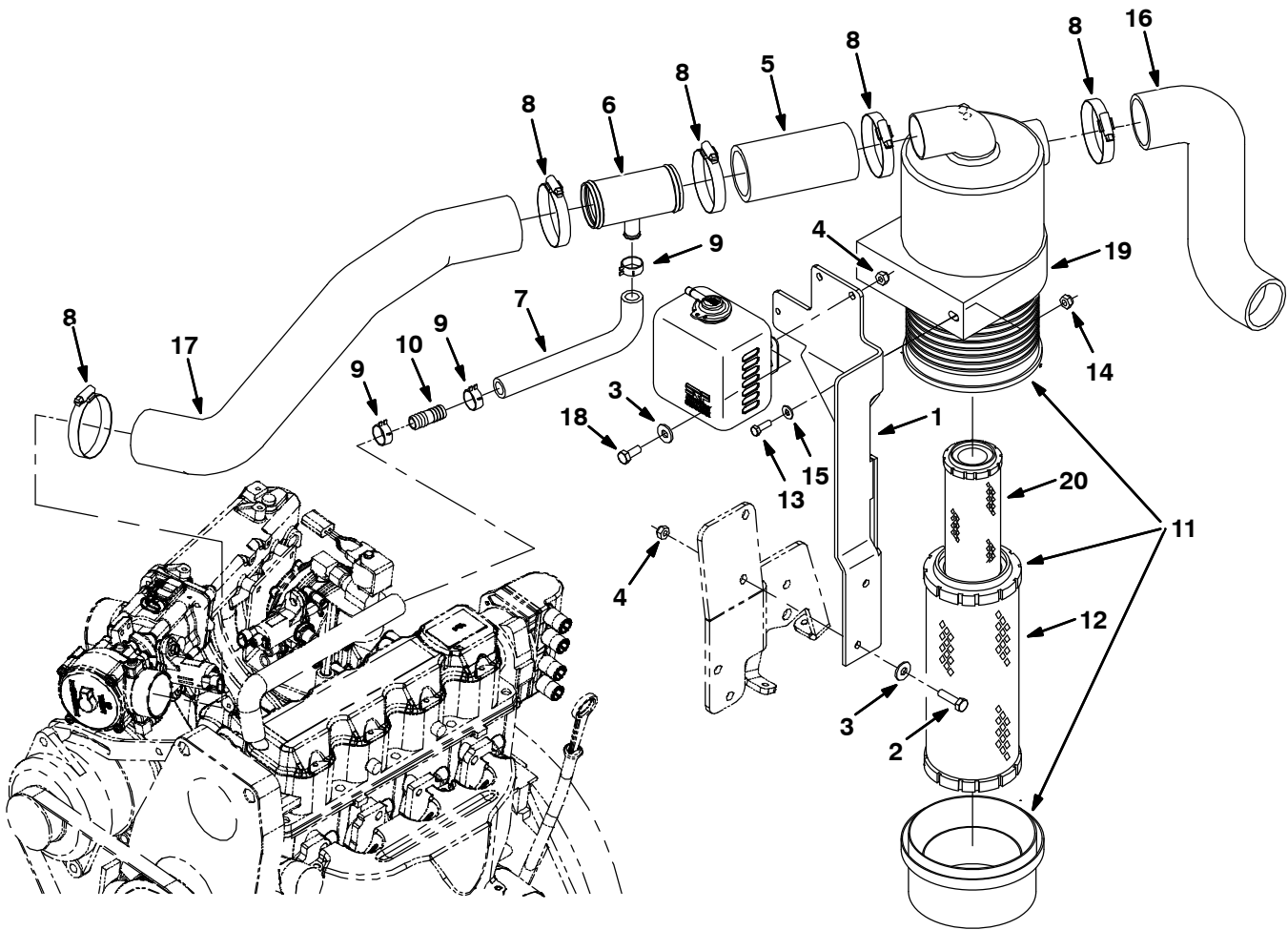


Fig. 21 – GM Engine Air Cleaner Group, LPG (000000–001499)

Ref.	Part No.	Serial Number	Description	Qty.	
1	1027856	(000000–001499)	Bracket, Mtg, Fltr, Air	1	
2	39277	(000000–001499)	Screw, Hex, M8 X 1.25 X 25, 8.8	2	
3	32491	(000000–001499)	Washer, Flat, 0.31, Std	4	
4	08709	(000000–001499)	Nut, Hex, Lock, M8 X 1.25, NI	4	
5	15543–2	(000000–001499)	Hose, Rbr, 2.00id 2.50od 05.0l	1	
6	1011780	(000000–001499)	Tube Wldt, Tee	1	
7	1021514	(000000–001499)	Hose, Heater, E90, 0.62id 07.0 2.0	1	
8	14432	(000000–001499)	Clamp, Hose, Wormdrive, 1.81–2.75d, .50w	5	
9	1011899	(000000–001499)	Clamp, Hose, Spring Stl, 0.86d X 0.38w	3	
10	365164	(000000–001499)	Fitting, Plstc, Str, Bm10/Bm10	1	
▽	11	369745	(000000–001499)	Filter Assy, Air	1
▲	12	369746	(000000–001499)	Element, Fltr, Air [Dn]	1
	13	06943	(000000–001499)	Screw, Hex, M6 X 1.0 X 20, 8.8	2
	14	08708	(000000–001499)	Nut, Hex, Lock, M6 X 1.0, NI	2
	15	32483	(000000–001499)	Washer, Flat, 0.25 Sae	2
	16	1020949	(000000–001499)	Hose, Intake, Mold, 2.00id [Epdm]	1
	17	1017987	(000000–001499)	Hose, Intake, Mold, 2.00id, Lpg [Epdm]	1
	18	16931	(000000–001499)	Screw, Hex, M8 X 1.25 X 20, 8.8	2
	19	369747	(000000–001499)	Clamp, Mtg, Fltr, Air	1
	20	398279	(000000–001499)	Element, Fltr, Air, Safety (Option)	1

Fig. 22 – GM Engine Air Cleaner Group, LPG (001500-004999)

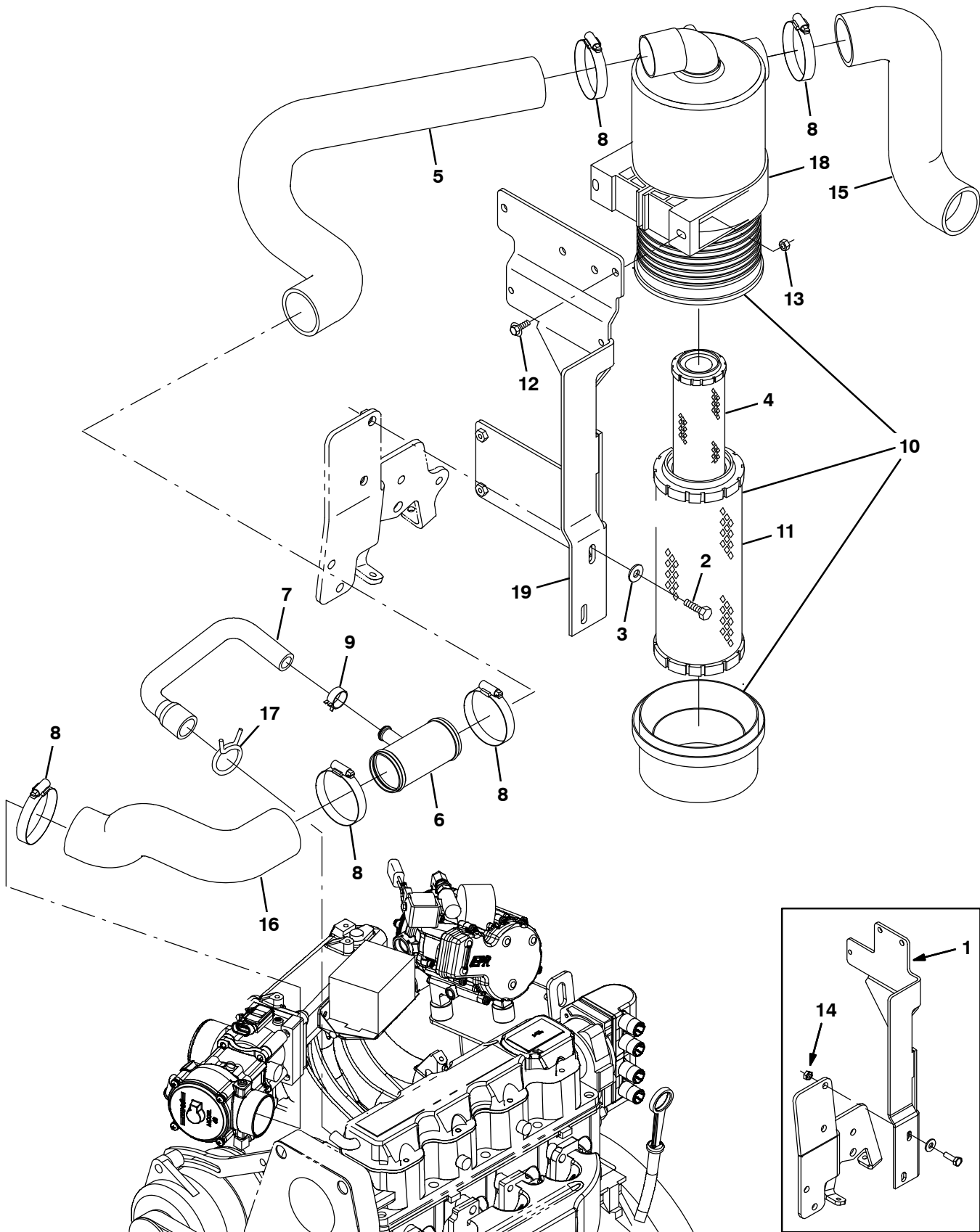


Fig. 22 – GM Engine Air Cleaner Group, LPG (001500–004999)

Ref.	Part No.	Serial Number	Description	Qty.	
1	1027856	(001500–002140)	Bracket, Mtg, Fltr, Air	1	
2	39277	(001500–004999)	Screw, Hex, M8 X 1.25 X 25, 8.8	2	
3	32491	(001500–004999)	Washer, Flat, 0.31, Std	2	
4	398279	(001500–004999)	Element, Fltr, Air, Safety (Option)	1	
5	1031614	(001500–004999)	Hose, Intake, Mold, 2.0id [Epdm M20/T20]	1	
6	1011780	(001500–004999)	Tube Wldt, Tee	1	
7	1032323	(001500–004999)	Hose, Vent, E90, 0.62id[Gm1.6l 2007]	1	
8	14432	(001500–004999)	Clamp, Hose, Wormdrive, 1.81–2.75d, .50w	5	
9	1011899	(001500–004999)	Clamp, Hose, Spring Stl, 0.86d X 0.38w	1	
▽	10	369745	(001500–004999)	Filter Assy, Air	1
▲	11	369746	(001500–004999)	Element, Fltr, Air [Dn]	1
	12	1036892	(001500–004999)	Screw, Hex, M6 X 1.00 X 25, 9.8 Sems	2
	13	08708	(001500–004999)	Nut, Hex, Lock, M6 X 1.00, NI	2
	14	08709	(001500–xxxxxx)	Nut, Hex, Lock, M8 X 1.25, NI	2
	15	1020949	(001500–004999)	Hose, Intake, Mold, 2.00id [Epdm]	1
	16	1031553	(001500–002140)	Hose, Intake, Mold, 2.0id, Lpg	1
	16	1054558	(002141–004999)	Hose, Intake, Mold, 2.0id, Lpg [Gm 2010]	1
	17	371854	(001500–004999)	Clamp, Spring, 1.50	1
	18	369747	(001500–004999)	Clamp, Mtg, Fltr, Air	1
	19	1056355	(002141–004999)	Bracket, Mtg, Fltr, Air	1

STANDARD PARTS

Fig. 23 – GM Engine Alternator and Fan Group (000000–004999)

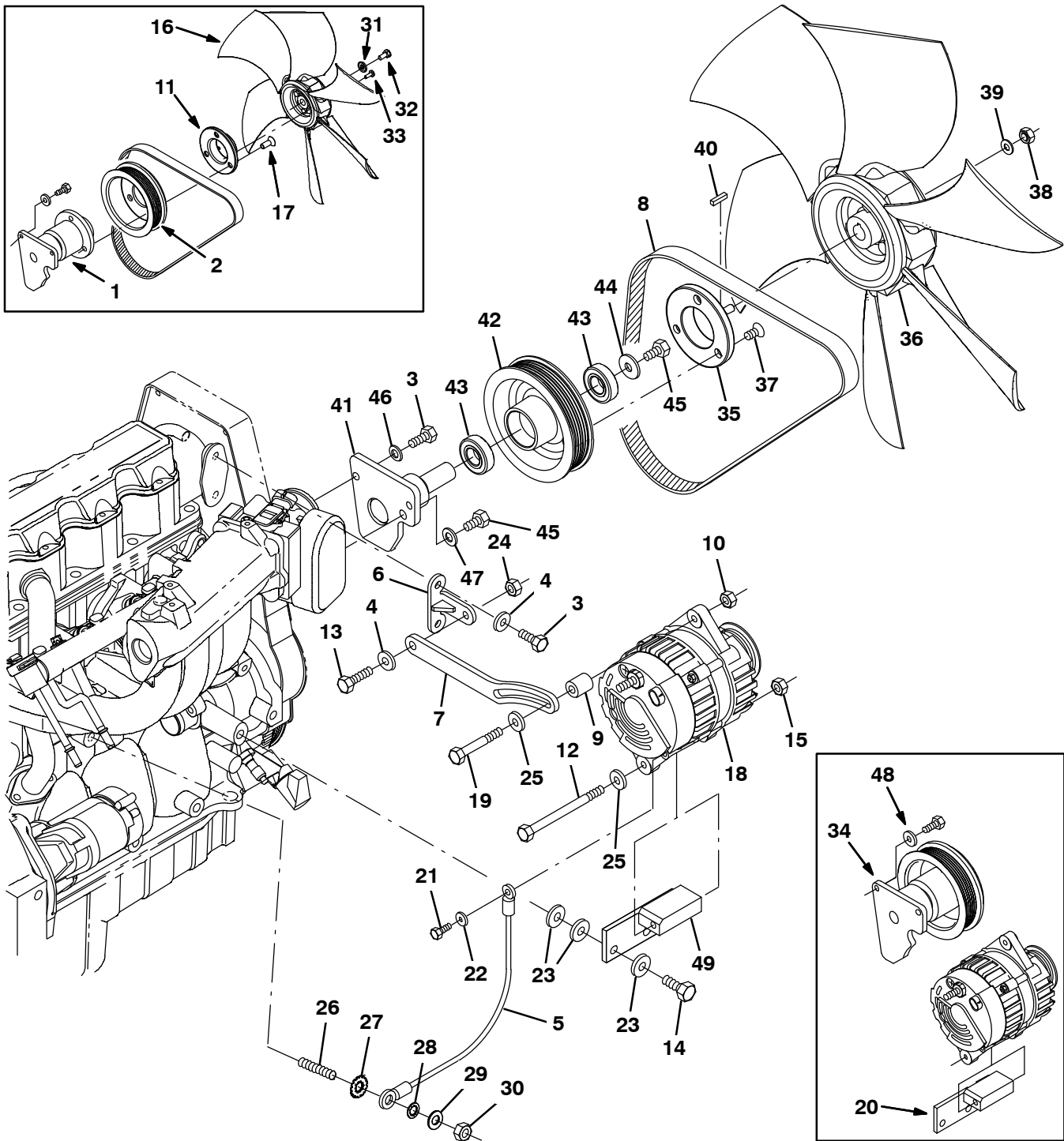


Fig. 23 – GM Engine Alternator and Fan Group (000000–004999)

Ref.	Part No.	Serial Number	Description	Qty.
1	371863	(000000–001499)	Base Assy, Fan, W/O Pulley	1
2	1033428	(000000–001499)	Sheave, 5.00dia [Gm1.6l 2007]	1
3	16931	(000000–004999)	Screw, Hex, M8 X 1.25 X 20, 8.8	4
4	371865	(000000–004999)	Washer, Flat, 0.31, Hardened	5
5	31525	(000000–005999)	Wire, 10ga 16.0l Blk .25ring /.38ring	1
6	371871	(000000–004999)	Bracket, Anchor, Strap, Alternator	1
7	371872	(000000–004999)	Strap, Adj, Alternator	1
8	1033644	(000000–004999)	Belt, Ribbed, 38.5l	1
9	372557	(000000–004999)	Spacer, Strap, Adj, Alternator	1
10	39311	(000000–004999)	Nut, Hex, Std, M8 X 1.25	1
11	1032242	(000000–001499)	Spacer, Fan	1
12	39785	(000000–004999)	Screw, Hex, .31–18 X 4.50, 5	1
13	76958	(000000–004999)	Screw, Hex, .31–18 X 1.75, 5	1
14	06961	(000000–004999)	Screw, Hex, M10 X 1.5 X 20, 8.8	2
15	32983	(000000–004999)	Nut, Hex, Lock, .31–18, NI	1
16	1035031	(000000–001499)	Fan, Cooling, Pusher, 15.5D [2007]	1
17	48998	(000000–001499)	Screw, Flt, .38–16 X 1.00, Al	3
18	393209	(000000–004999)	Alternator, 12vdc 075a [Multi Grv]	1
19	363976	(000000–004999)	Screw, Hex, M8 X 1.25 X 60, 8.8, FI	1
20	9006917	(000000–002140)	Bracket Kit, Alternator, Repair	1
21	42011	(000000–004999)	Screw, Hex, #10–24 X 0.50, Ss	1
22	19066	(000000–004999)	Washer, Flat, #10	1
23	32485	(000000–004999)	Washer, Flat, 0.38 Sae	4
24	19313	(000000–004999)	Nut, Hex, Std, .31–18	1
25	39349	(000000–004999)	Washer, Flat, 0.31 Sae	2
26	384442	(000000–004999)	Stud, M10 X 1.50 [35]	1
27	32988	(000000–004999)	Washer, Lock, Int, 0.38	1
28	41142	(000000–004999)	Washer, Lock, Int–Ext, 0.38	1
29	32485	(000000–004999)	Washer, Flat, 0.38 Sae	1
30	32716	(000000–004999)	Nut, Hex, Jam, M10 X 1.5, Ss	1
31	41186	(000000–001499)	Washer, Flat, Belleville, .31	1
32	16735	(000000–001499)	Screw, Hex, M8 X 1.25 X 16, 8.8	1
33	09145	(000000–001499)	Screw, Pan, M6 X 1.00 X 16, 4.8	3
34	9007088	(001500–002140)	Sheave Assy Kit, Repair	1
35	1035530	(001500–004999)	Spacer, Fan, Taper [2007]	1
36	1035771	(001500–002092)	Fan, Cooling, 15.5d, 6 Blade, .5b Taper	1
36	1046237	(002093–004999)	Fan, Cooling, 16.0d, 6 Blade	1
37	48996	(001500–004999)	Screw, Flt, .38–16 X 0.75, Al	3
38	08709	(001500–004999)	Nut, Hex, Lock, M8 X 1.25, NI	1
39	32491	(001500–004999)	Washer, Flat, 0.31, Std	1
40	00960	(001500–004999)	Key, Sq, 0.12 X 0.12, 0.50l	1
41	1055381	(002141–004999)	Plate Wldt, Fan, Hub [Gm 1.6l]	1
42	1055425	(002141–004999)	Sheave, Mach [Gm1.6l]	1
43	1055377	(002141–004999)	Bearing, Ball, 20mm B 42mm D 12mm W	2
44	1014563	(002141–004999)	Washer, Flat, 0.40b 1.12d .12, Ss	1
45	21195	(002141–004999)	Screw, Hex, .38–16 X 0.75, G5	2
46	39349	(002141–004999)	Washer, Flat, 0.31, Sae	2
47	32485	(002141–004999)	Washer, Flat, 0.38, Sae	1
48	371865	(000000–002140)	Washer, Flat, 0.31, Hardened	2
49	1008640	(002141–004999)	Bracket Wldt, Alternator, Lower [Gm1.6l]	1

Fig. 24 - GM Engine Muffler Group (000000-001499)

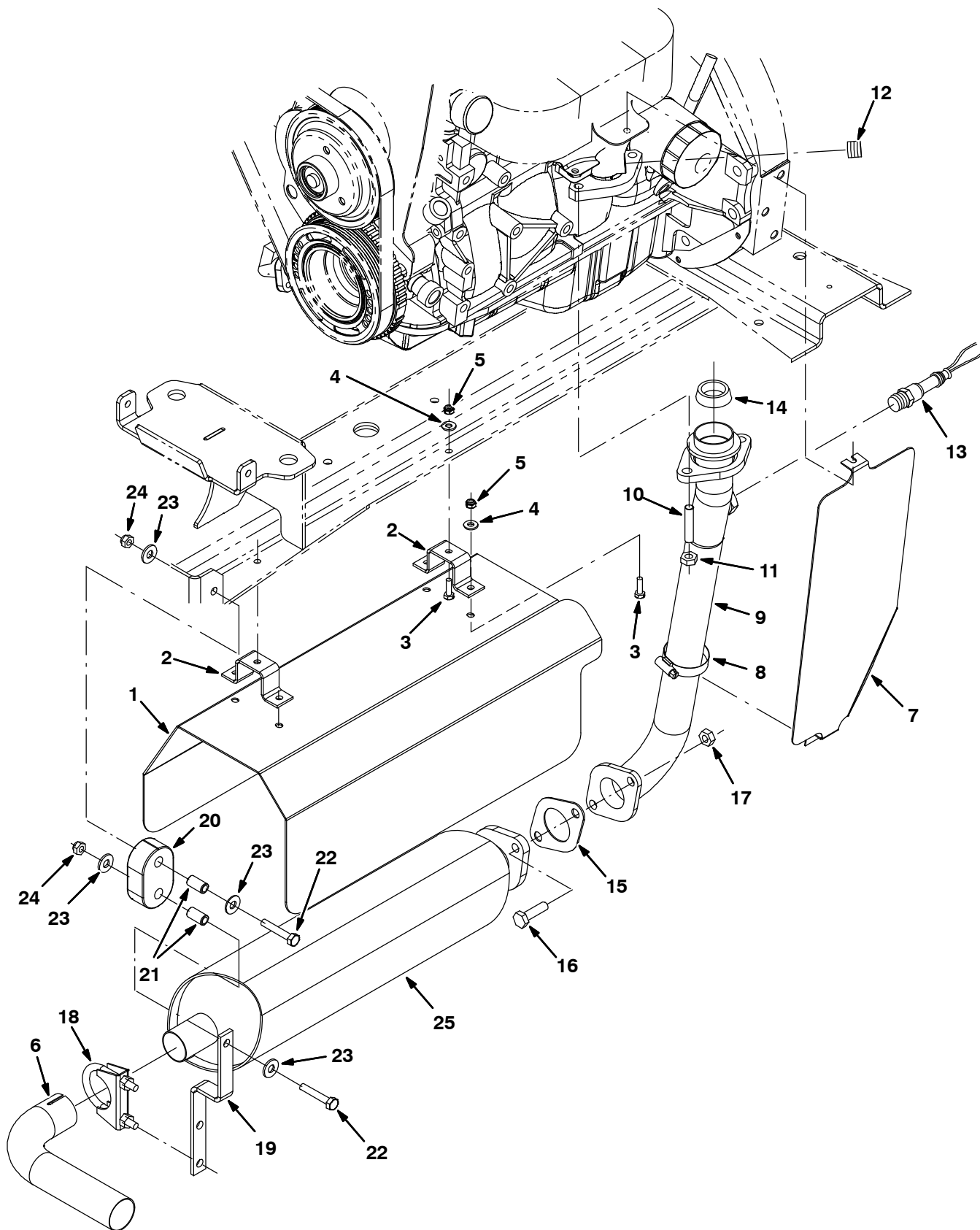


Fig. 24 – GM Engine Muffler Group (000000–001499)

Ref.	Part No.	Serial Number	Description	Qty.
1	1020602	(000000–001499)	Channel, Shield, Muffler	1
2	1022113	(000000–001499)	Bracket, Retainer, Shield, Heat	2
3	08716	(000000–001499)	Screw, Hex, M6 X 1.0 X 20, Ss	6
4	32483	(000000–001499)	Washer, Flat, 0.25 Sae	6
5	08712	(000000–001499)	Nut, Hex, Lock, M6 X 1.0, Ss, NI	6
6	1021789	(000000–001499)	Tube, Exhaust, 1.5d	1
7	9002394	(000000–001499)	Plate, Shield, Heat, Gas/Lpg, Replmt	1
8	79381	(000000–001499)	Clamp, Hose, Wormdrive, 1.25–2.00D, .50W	1
9	1018142	(000000–001499)	Tube Wldt, Exhaust, Gas/Lpg	1
10	384442	(000000–001499)	Stud, M10 X 1.50 [35]	2
11	08166	(000000–001499)	Nut, Hex, M10 X 1.50 [Stover]	2
12	371860	(000000–001499)	Fitting, Pipe, Plug, Metric, M18,Soc	1
13	372491	(000000–001499)	Sensor, Oxygen	1
14	371861	(000000–001499)	Gasket, Flng, Pipe, Exhaust	1
15	1011216	(000000–001499)	Gasket, Exhaust, 2hole, 3.4bc	1
16	39284	(000000–001499)	Screw, Hex, M10 X 1.5 X 35, 8.8	2
17	08166	(000000–001499)	Nut, Hex, M10 X 1.5 [Stover]	2
18	24012	(000000–001499)	Clamp, Muffler, 1.62d	1
19	1017969	(000000–001499)	Bracket, Muffler, Hanger, Front	1
20	1013031	(000000–001499)	Isolator, Rbr	1
21	222496	(000000–001499)	Sleeve, P/M, 0.31b 0.50d 0.9l [430ss]	2
22	222505	(000000–001499)	Screw, Hex, M8 X 1.25 X 45, Ss	2
23	01685	(000000–001499)	Washer, Flat, 0.31, Ss	4
24	08713	(000000–001499)	Nut, Hex, Lock, M8 X 1.25, NI, Ss	2
25	1022794	(000000–001499)	Muffler, Short [Non–Catalytic Gm1.6/3.0]	1
25	1016624	(000000–001499)	Muffler, Catalytic [Gm 1.6]	1

Fig. 25 - GM Engine Muffler Group (001500-004999)

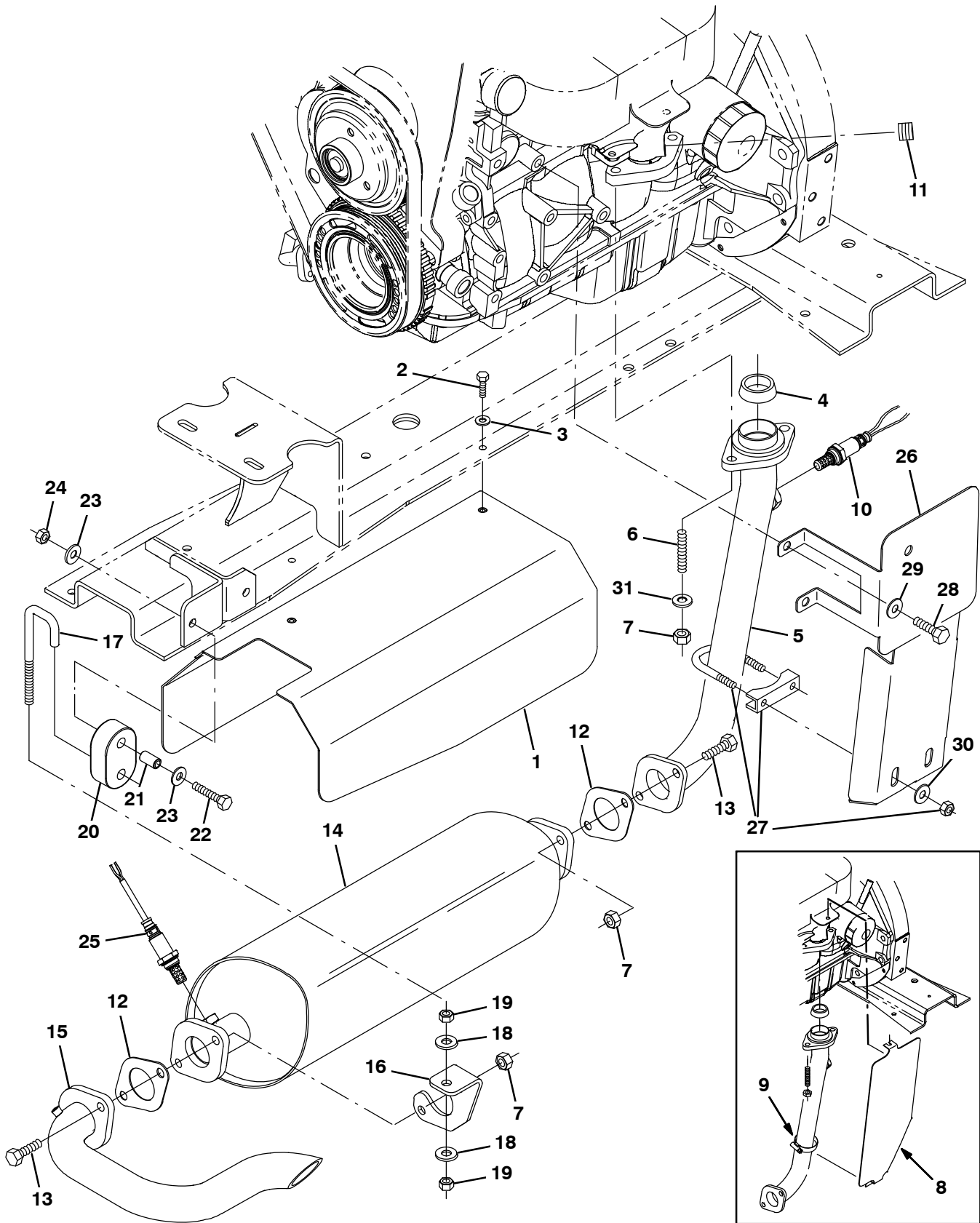


Fig. 25 – GM Engine Muffler Group (001500–004999)

Ref.	Part No.	Serial Number	Description	Qty.
1	1028994	(001500–004999)	Channel, Shield, Muffler [M20/T20 2007]	1
2	08716	(001500–004999)	Screw, Hex, M6 X 1.0 X 20, Ss	2
3	32483	(001500–004999)	Washer, Flat, 0.25, Sae	2
4	371861	(001500–004999)	Gasket, Flng, Pipe, Exhaust	1
5	9012597	(001500–004999)	Pipe Kit, Exhaust, Replmt [M20.T20, M30]	1
6	384442	(001500–004999)	Stud, M10 X 1.50 [35]	2
7	08166	(001500–004999)	Nut, Hex, M10 X 1.50 [Stover]	6
8	9002394	(001500–001635)	Plate, Shield, Heat, Gas/Lpg, Replmt	1
9	79381	(001500–001635)	Clamp, Hose, Wormdrive, 1.25–2.00D, .50W	1
10	1028559	(001500–002140)	Sensor, Oxygen [Gm 1.6L/3.0L 2007]	1
10	1028558	(002141–004999)	Sensor, Exhaust, Tailpipe	1
11	371860	(001500–004999)	Fitting, Pipe, Plug, Metric, M18,Soc	1
12	1011216	(001500–004999)	Gasket, Exhaust, 2hole, 3.4bc	2
13	39284	(001500–004999)	Screw, Hex, M10 X 1.5 X 35, 8.8	4
14	1028136	(001500–002140)	Muffler, Catalytic [Gm 1.6l 2007]	1
14	1056241	(002141–004999)	Muffler, Catalytic [Gm 1.6l 2010]	1
15	1028753	(001500–004999)	Tube, Exhaust, Flng, 1.5d [M20/T20 2007]	1
16	1028929	(001500–004999)	Bracket, Mtg, Muffler [M20/T20 2007]	1
17	1013117	(001500–004999)	Rod, Hanger, Isolator	1
18	32492	(001500–004999)	Washer, Flat, 0.38, Std	2
19	25014	(001500–004999)	Nut, Hex, Std, .38–16	2
20	1013031	(001500–004999)	Isolator, Rbr	1
21	222496	(001500–004999)	Sleeve, P/M, 0.31b 0.50d 0.9l [430ss]	1
22	222505	(001500–004999)	Screw, Hex, M8 X 1.25 X 45, Ss	1
23	01685	(001500–004999)	Washer, Flat, 0.38b 0.88d .08, Ss	2
24	08713	(001500–004999)	Nut, Hex, Lock, M8 X 1.25, NI, Ss	1
25	1028558	(001500–004999)	Sensor, Exhaust, Tailpipe	1
26	9003832	(001636–004999)	Shield, Heat, Gas/Lpg, Replmt	1
26	9004983	(001636–004999)	Shield, Heat, Gas/Lpg, Replmt (Japan Only)	1
27	24012	(001636–004999)	Clamp, Muffler, 1.62d	1
28	06961	(001636–004999)	Screw, Hex, M10 X 1.50 X 20, 8.8	2
29	32485	(001636–004999)	Washer, Flat, 0.38, Sae	2
30	32491	(001636–004999)	Washer, Flat, 0.31, Std	2
31	41187	(001500–004999)	Washer, Flat, Belleville, .38	2

Fig. 26 - GM Engine Radiator Group (000000-002092)

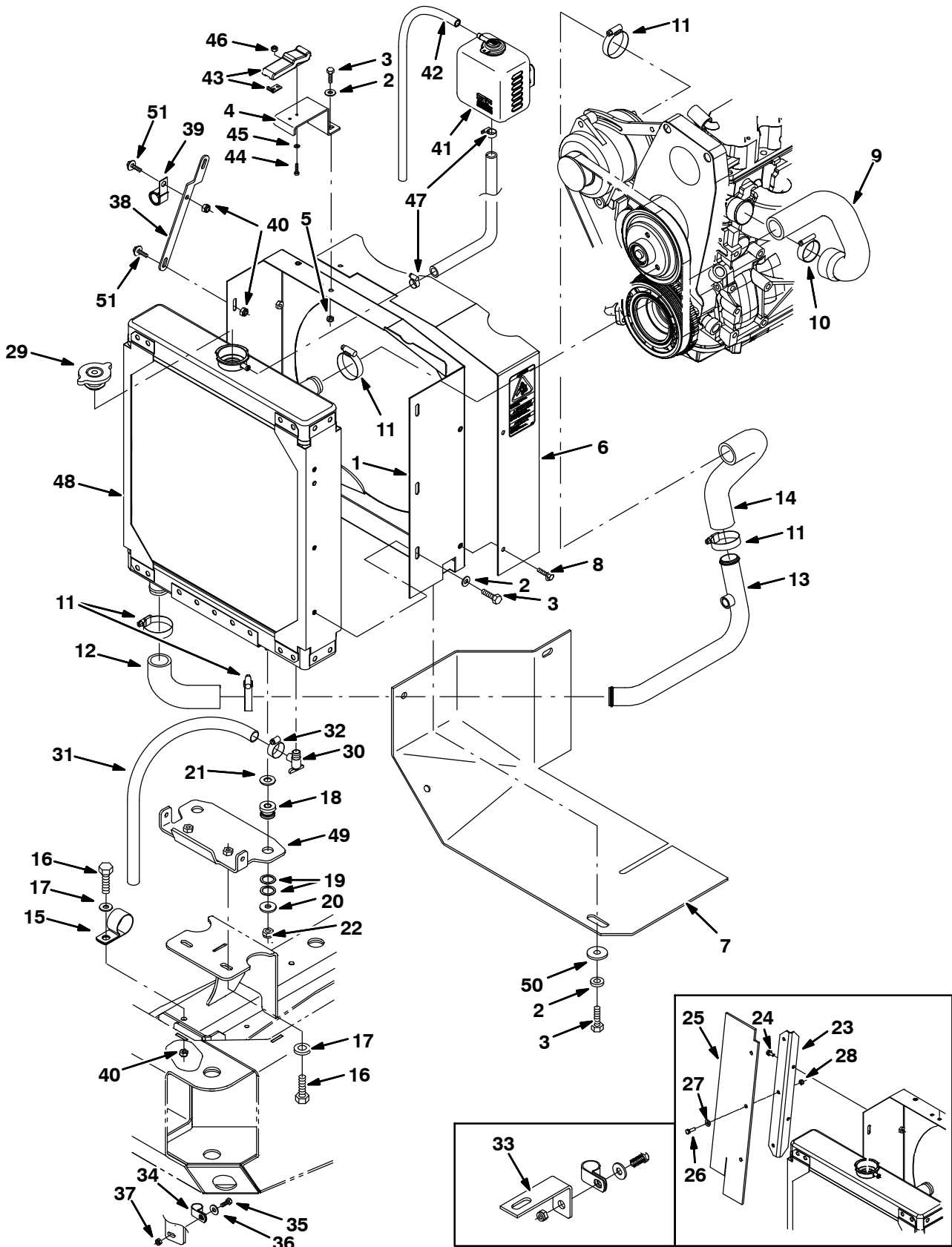


Fig. 26 – GM Engine Radiator Group (000000–002092)

Ref.	Part No.	Serial Number	Description	Qty.
1	1038499	(000000–002092)	Panel Wldt, Shrd, Fan	1
2	32490	(000000–002092)	Washer, Flat, 0.25 Std	11
3	06942	(000000–002092)	Screw, Hex, M6 X 1.0 X 16, 8.8	13
4	1018463	(000000–002092)	Bracket, Mtg, Latch	1
5	08708	(000000–002092)	Nut, Hex, Lock, M6 X 1.0, NI	5
6	9003997	(000000–002092)	Plate, Guard, Fan Shrd, Gas/Lpg, Replmt	1
7	1035222	(000000–002092)	Skirt, Debris, Eng Radiator	1
8	74455	(000000–002092)	Screw, Hex, M6 X 1.0 X 12, Fmg	3
9	1011799	(000000–002092)	Hose, Radiator, Upper, Mold	1
10	22297	(000000–002092)	Clamp, Hose, Wormdrive, 1.56–2.50d, .50w	1
11	79381	(000000–002092)	Clamp, Hose, Wormdrive, 1.25–2.00D, .50W	7
12	1007482	(000000–002092)	Hose, Rbr, E90 1.25id 1.25id 04.2 03.1	1
13	1019273	(000000–002092)	Tube, Coolant, Lower, 1.3d	1
14	1019265	(000000–002092)	Hose, Radiator, Lower, Mold	1
15	53466	(000000–002092)	Clamp, Cable, Stl, 1.50d X 1.00w, 1h	1
16	39277	(000000–002092)	Screw, Hex, M8 X 1.25 X 25, 8.8	3
17	32491	(000000–002092)	Washer, Flat, 0.31, Std	3
18	54274	(000000–002092)	Isolator, Vib, Bshg, 1.1d 0.6l .4b 0.78h	2
19	09832	(000000–002092)	Washer, Flat, 0.81b 1.06d .06, Stl	4
20	1014563	(000000–002092)	Washer, Flat, 0.40b 1.12d .12, Ss	2
21	32486	(000000–002092)	Washer, Flat, 0.50 Sae	2
22	41430	(000000–002092)	Nut, Hex, Lock, M10 X 1.5, NI	2
23	1027099	(000000–001013)	Plate, Mtg, Seal	1
24	74455	(000000–001013)	Screw, Hex, M6 X 1.0 X 12, Fmg	2
25	1027103	(000000–001013)	Seal, Radiator	1
26	06943	(000000–002092)	Screw, Hex, M6 X 1.0 X 20, 8.8	4
27	32483	(000000–001013)	Washer, Flat, 0.25 Sae	3
28	08708	(000000–001013)	Nut, Hex, Lock, M6 X 1.0, NI	3
29	1045764	(000000–002092)	Cap, Radiator, 14psi [Stant Ao–2516]	1
30	51305	(000000–002092)	Fitting, Draincock, E90, .25npt	1
31	73471	(000000–002092)	Hose, Pvc, Clr, 0.38id 0.56od 22.00l	1
32	43844	(000000–002092)	Clamp, Hose, Wormdrive, 0.25–0.62d, .31w	1
33	1026003	(000000–001602)	Bracket, Ftg, Bh	1
34	67767	(000000–002092)	Clamp, Cable, Stl, 0.69d X 0.62w, 1h	1
35	09740	(000000–002092)	Screw, Hex, M8 X 1.25 X 20, Ss	1
36	01685	(000000–002092)	Washer, Flat, 0.31, Ss	1
37	08713	(000000–002092)	Nut, Hex, Lock, M8 X 1.25, NI, Ss	1
38	1019968	(000000–002092)	Bracket, Mtg, Radiator	1
39	30407	(000000–002092)	Clip, Keeper, Open	1
40	08709	(000000–002092)	Nut, Hex, Lock, M8 X 1.25, NI	4
41	1023853	(000000–002092)	Tank, Coolant, 04.7 03.3 4.7deep, 1liter	1
42	1015041	(000000–002092)	Hose, Afmkt, Coolant Recvy, 05ft	1
43	49800	(000000–002092)	Latch	1
44	06927	(000000–002092)	Screw, Pan, M4 X 0.70 X 16, 4.8	2
45	19064	(000000–002092)	Washer, Flat, #06	2

STANDARD PARTS

Fig. 26 – GM Engine Radiator Group (000000–002092)

Ref.	Part No.	Serial Number	Description	Qty.
46	02850	(000000–002092)	Nut, Hex, Lock, M4 X 0.7, NI	2
47	43844	(000000–002092)	Clamp, Hose, Wormdrive, 0.25–0.62d, .31w	2
48	1045316	(000000–001719)	Radiator Kit, Replmt, Ci	1
48	1041291	(001720–002092)	Radiator	1
49	1035976	(001036–002092)	Bracket, Sppt, Radiator, Upper	1
50	41178	(000000–002092)	Washer, Flat, 0.25, Fendr	3
51	1040467	(000000–002092)	Screw, Hex, M6 X 1.0 X 20, 9.8, Sems	2

STANDARD PARTS

Fig. 27 – GM Engine Radiator and Mount Group (002093–004999)

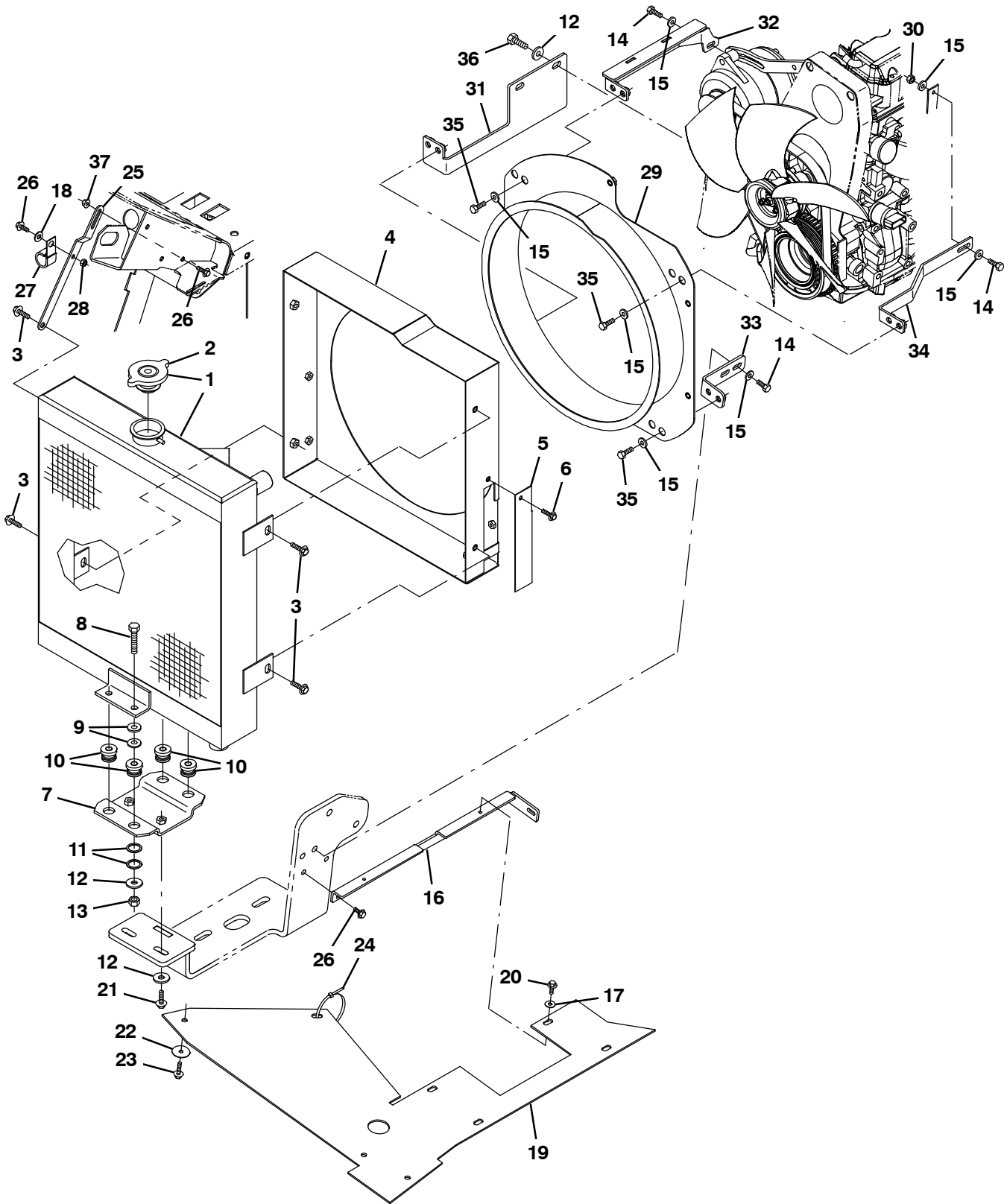


Fig. 27 – GM Engine Radiator and Mount Group (002093–004999)

Ref.	Part No.	Serial Number	Description	Qty.
▽	1	1045940	(002093–004999) Radiator, W/ Hyd Cooler [Side X Side]	1
▲	2	1045764	(002093–004999) Cap, Radiator, 14Psi [Stant]	1
	3	1037346	(002093–004999) Screw, Hex, M8 X 1.25 X 25, 9.8, Sems	4
	4	9006811	(002093–004999) Shrd Wldt,Fan,G/Lp, Replmt [M20/M30/T20]	1
	4	9006813	(002093–004999) Shrd Wldt,Fan,G/Lp, Replmt [TJ] (Japan Only)	1
	5	1045433	(002093–004999) Bracket, Cover	1
	6	1036892	(002093–004999) Screw, Hex, M6 X 1.00 X 25, 9.8 Sems	2
	7	1046962	(002093–004999) Bracket, Mtg, Radiator	1
	8	06962	(002093–004999) Screw, Hex, M10 X 1.50 X 45, 8.8	4
	9	32492	(002093–004999) Washer, Flat, 0.38, Std	8
	10	54274	(002093–004999) Isolator, Vib, Bshg, 1.1d 0.6l .4b 0.78h	4
	11	09832	(002093–004999) Washer, Flat, 0.81b 1.06d .06, Stl	8
	12	1014563	(002093–004999) Washer, Flat, 0.40b 1.12d .12, Ss	6
	13	41430	(002093–004999) Nut, Hex, Lock, M10 X 1.5, NI	4
	14	39277	(002093–004999) Screw, Hex, M8 X 1.25 X 25, 8.8	4
	15	32491	(002093–004999) Washer, Flat, 0.31, Std	12
	16	1043897	(002093–004999) Bracket, Skirt, Rbr	1
	17	32483	(002093–004999) Washer, Flat, 0.25, Sae	2
	18	32490	(002093–004999) Washer, Flat, 0.25, Std	2
	19	1052170	(002093–004999) Skirt, Eng Fan, Gas / Lp	1
	20	361339	(002093–004999) Screw, Hex, M6 X 1.00 X 16, Fmg	2
	21	1037355	(002093–004999) Screw, Hex, M8 X 1.25 X 35, 9.8, Sems	2
	22	41178	(002093–004999) Washer, Flat, 0.25, Fendr	3
	23	1036892	(002093–004999) Screw, Hex, M6 X 1.00 X 25, 9.8 Sems	3
	24	49266	(002093–004999) Tie, Cable, Nyl, 07.3l .19w 1.8 Max D	1
	25	1019968	(002093–004999) Bracket, Mtg, Radiator	1
	26	1040467	(002093–004999) Screw, Hex, M6 X 1.00 X 20, 9.8, Sems	4
	27	30407	(002093–004999) Clip, Keeper, Open	1
	28	08708	(002093–004999) Nut, Hex, Lock, M6 X 1.00, NI	1
	29	1046039	(002093–004999) Shroud Wldt, Fan, 16.25d [Side X Side]	1
	30	08165	(003039–004999) Nut, Hex, Stover, M8 X 1.25	1
	31	1045419	(002093–004999) Bracket, Fan, Rh	1
	32	1045530	(002093–004999) Bracket Wldt, Mtg, Fan, Upper	1
	33	1045415	(002093–004999) Bracket, Fan, Lh	1
	34	1045447	(002093–004999) Bracket, Fan, Upper, Lh	1
	35	16931	(002093–004999) Screw, Hex, M8 X 1.25 X 20, 8.8	9
	36	39283	(002093–004999) Screw, Hex, M10 X 1.50 X 25, 8.8	2
	37	07790	(002093–004999) Nut, Hex, Flng, M6 X 1.00	1

STANDARD PARTS

Fig. 28 - GM Engine Radiator Hose Group (002093-004999)

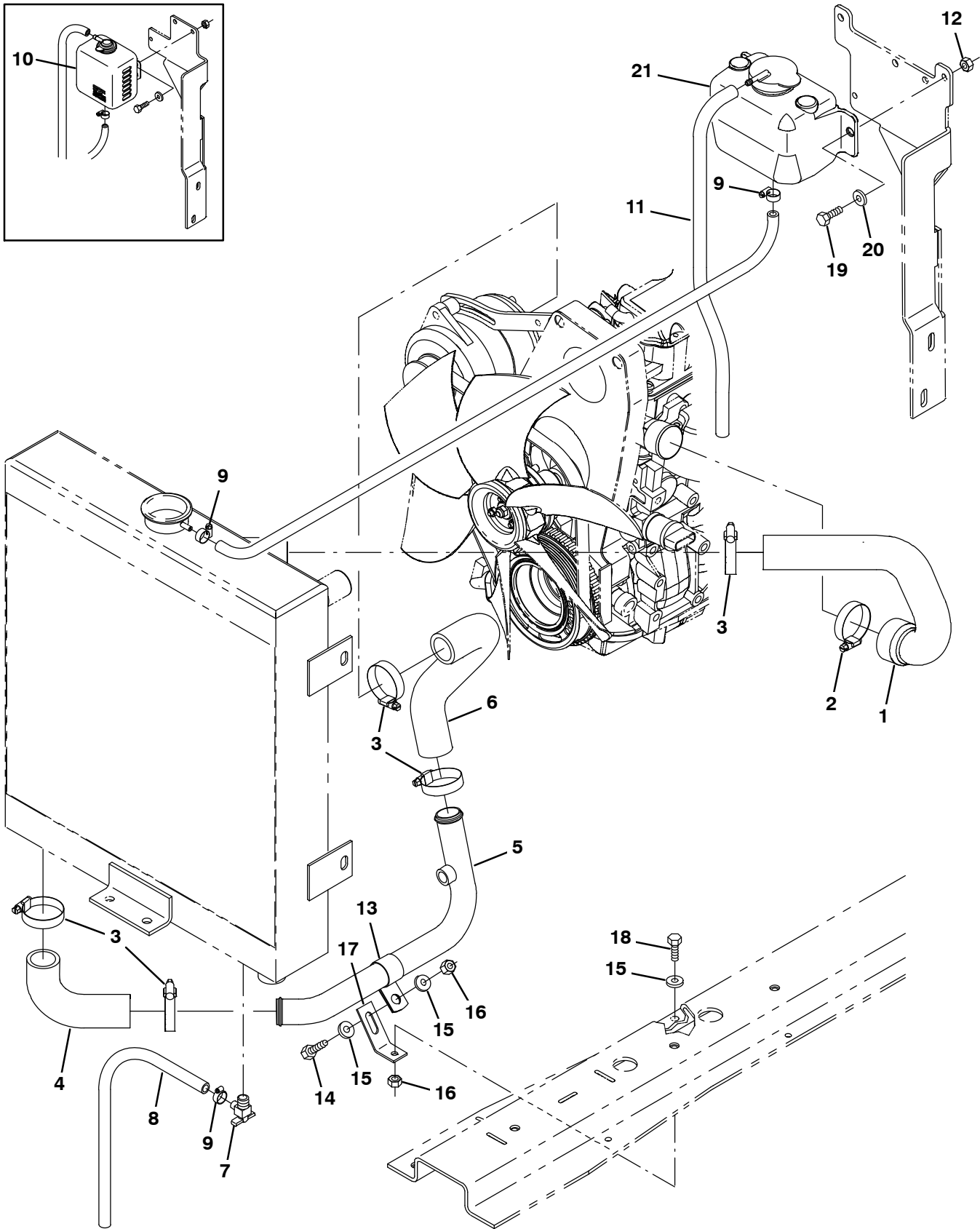


Fig. 28 - GM Engine Radiator Hose Group (002093-004999)

Ref.	Part No.	Serial Number	Description	Qty.
1	1014747	(002093-004999)	Hose, Coolant, Mold, 1.125id To 1.50id	1
2	22297	(002093-004999)	Clamp, Hose, Wormdrive, 1.56- 2.50d, .50w	1
3	79381	(002093-004999)	Clamp, Hose, Wormdrive, 1.25- 2.00d, .50w	5
4	1007482	(002093-004999)	Hose, Rbr, E90, 1.25id 1.25id	1
5	1043322	(002093-004999)	Tube, Coolant, 1.3d, Lower	1
6	1019265	(002093-004999)	Hose, Radiator, Lower, Mold	1
7	51305	(002093-004999)	Fitting, Draincock, E90, .25npt	1
8	73471	(002093-004999)	Hose, Pvc, Clr, 0.38id 0.56od 0.22.0l	1
9	43844	(002093-004999)	Clamp, Hose, Wormdrive, 0.25- 0.62d, .31w	3
10	1023853	(002093-002140)	Tank, Coolant, 03.30w 4.7hi 04.7l, 1liter	1
11	1015041	(002093-002140)	Hose, Afmkt, Coolant Recvy, 05ft	1
11	87738	(002141-004999)	Hose, Fuel, 0.18id, 29.0l	1
12	08709	(002093-004999)	Nut, Hex, Lock, M8 X 1.25, NI	2
13	58366	(002093-004999)	Clamp, Cable, Stl, 1.25d X 1.00w, 1hole	1
14	09010	(002093-004999)	Screw, Hex, M8 X 1.25 X 25, Ss	1
15	01685	(002093-004999)	Washer, Flat, 0.38b 0.88d .08, Ss	3
16	08713	(002093-004999)	Nut, Hex, Lock, M8 X 1.25, NI, Ss	2
17	1035214	(002093-004999)	Bracket, Tube, Coolant	1
18	09740	(002093-004999)	Screw, Hex, M8 X 1.25 X 20, Ss	1
19	16931	(002093-004999)	Screw, Hex, M8 X 1.25 X 20, 8.8	2
20	32491	(002093-004999)	Washer, Flat, 0.31, Std	2
21	1054382	(002141-004999)	Tank, Coolant, 03.6w 04.1hi 05.5l, 1liter	1

Fig. 29 – Mitsubishi Engine and Mount Group, Gas (005000-)

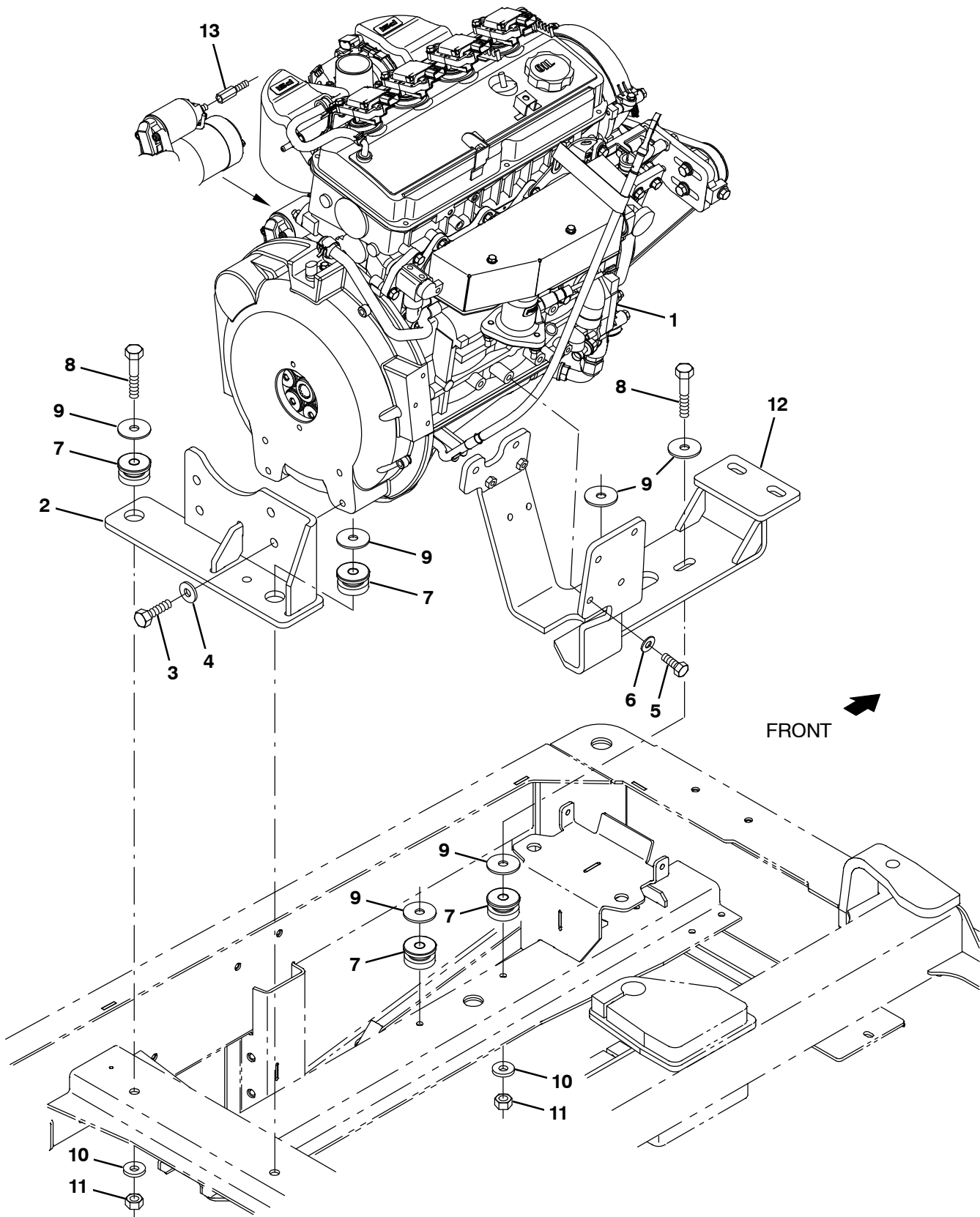


Fig. 29 – Mitsubishi Engine and Mount Group, Gas (005000–)

	Ref.	Part No.	Serial Number	Description	Qty.
▽	1	1071155	(005000–006168)	Engine, Gas [Mitsubishi] (See Engine Breakdown)	1
▲		393982	(005000–)	Element, Fltr, Oil, Spin–On (Mits)	1
▽	1	9014202	(006169–)	Engine, Block, Long [Mits 12mm] (See Engine Breakdown)	1
▲		393982	(005000–)	Element, Fltr, Oil, Spin–On (Mits)	1
	2	1070756	(005000–)	Bracket Wldt, Mtg, Eng, Rear [Mit 2013]	1
	3	06968	(005000–)	Screw, Hex, M12 X 1.75 X 35, 8.8	4
	4	32486	(005000–)	Washer, Flat, 0.50 Sae	4
	5	07299	(005000–)	Screw, Hex, M10 X 1.25 X 25, 8.8	6
	6	32485	(005000–)	Washer, Flat, 0.38 Sae	6
	7	51176	(005000–)	Isolator, Vib, .50d	4
	8	06972	(005000–)	Screw, Hex, M12 X 1.75 X 60, 8.8	4
	9	04414	(005000–)	Washer, Flat, 0.53b 1.88d .12, Stl, Pl	4
	10	32493	(005000–)	Washer, Flat, 0.50 Std	3
	11	08711	(005000–)	Nut, Hex, Lock, M12 X 1.75, NI	3
	12	1070751	(005000–)	Bracket Wldt, Mtg, Engine [Mit 2013]	1
	13	1072669	(005000–)	Stand–Off, Hex, M8 X M8, Metal	1

Fig. 30 – Mitsubishi Engine and Mount Group, LPG (005000–)

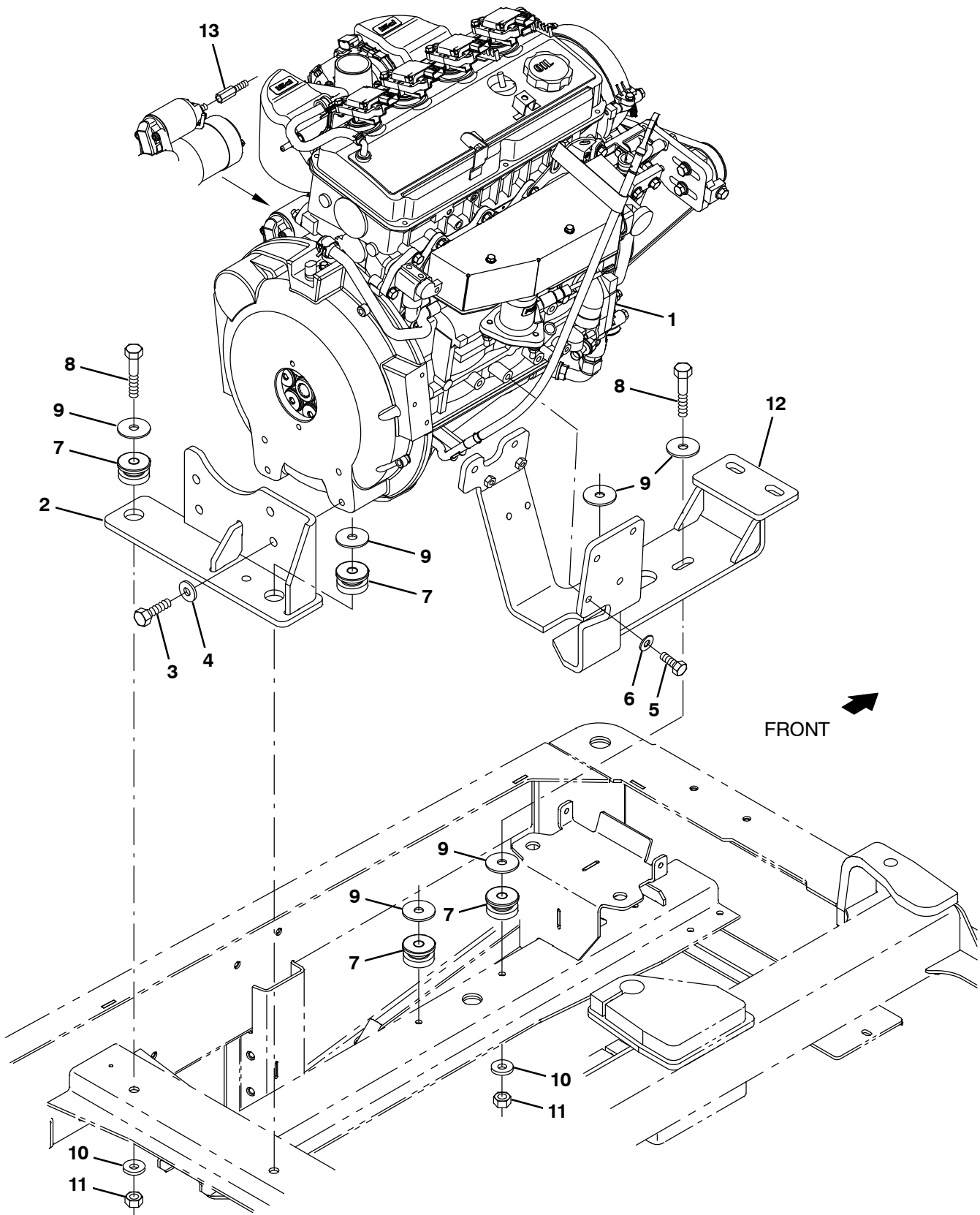


Fig. 30 – Mitsubishi Engine and Mount Group, LPG (005000–)

	Ref.	Part No.	Serial Number	Description	Qty.
▽	1	1070348	(005000–006168)	Engine, LPG [Mitsubishi] (See Engine Breakdown)	1
▲		393982	(005000–)	Element, Fitr, Oil, Spin–On (Mits)	1
▽	1	9014202	(006169–)	Engine, Block, Long [Mits 12mm] (See Engine Breakdown)	1
▲		393982	(005000–)	Element, Fitr, Oil, Spin–On (Mits)	1
	2	1070756	(005000–)	Bracket Wldt, Mtg, Eng, Rear [Mit 2013]	1
	3	06968	(005000–)	Screw, Hex, M12 X 1.75 X 35, 8.8	4
	4	32486	(005000–)	Washer, Flat, 0.50 Sae	4
	5	07299	(005000–)	Screw, Hex, M10 X 1.25 X 25, 8.8	6
	6	32485	(005000–)	Washer, Flat, 0.38 Sae	6
	7	51176	(005000–)	Isolator, Vib, .50d	4
	8	06972	(005000–)	Screw, Hex, M12 X 1.75 X 60, 8.8	4
	9	04414	(005000–)	Washer, Flat, 0.53b 1.88d .12, Stl, Pl	4
	10	32493	(005000–)	Washer, Flat, 0.50 Std	3
	11	08711	(005000–)	Nut, Hex, Lock, M12 X 1.75, NI	3
	12	1070751	(005000–)	Bracket Wldt, Mtg, Engine [Mit 2013]	1
	13	1072669	(005000–)	Stand–Off, Hex, M8 X M8, Metal	1

Fig. 31 – Mitsubishi Engine EFI Group, Gasoline (005000–)

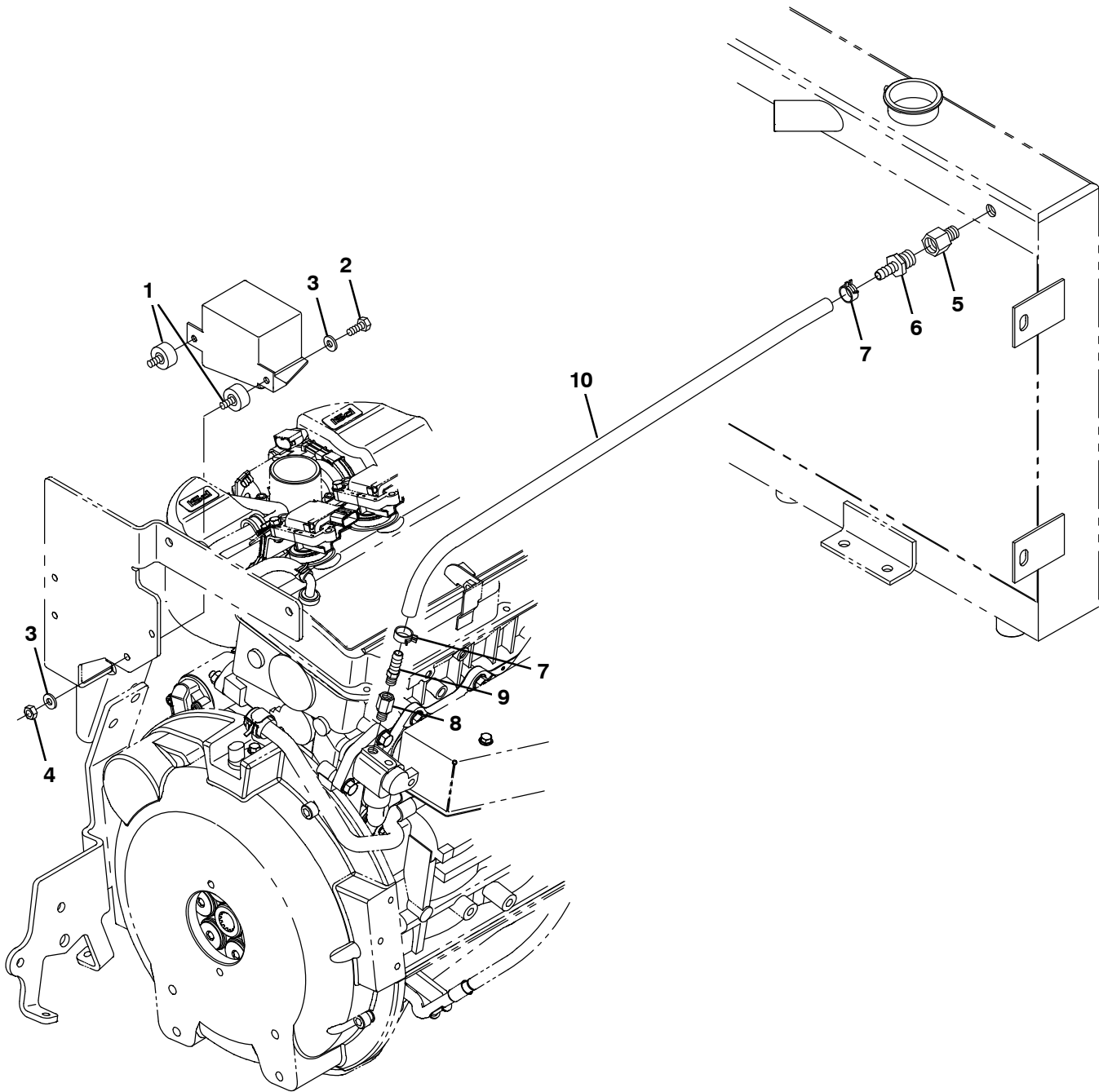


Fig. 31 - Mitsubishi Engine EFI Group, Gasoline (005000-)

Ref.	Part No.	Serial Number	Description	Qty.
1	372470	(005000-) Isolator, Box, Relay	2
2	19315	(005000-) Screw, Hex, .25-20 X 0.50, G5	2
3	32490	(005000-) Washer, Flat, 0.25, Std	4
4	19312	(005000-) Nut, Hex, Std, .25-20	2
5	1071440	(005000-) Fitting, Brs, Str, Pf06/Pm04	1
6	36159	(005000-) Fitting, Brs, Str, Bm06/Pm06	1
7	1072559	(005000-) Clamp, Hose, Spring Stl, 0.58d X 0.31w	2
8	1071502	(005000-) Fitting, Brs, Str, Pf02/Pm02 [Bspt]	1
9	1055552	(005000-) Fitting, Brs, Str, Bm06/Pm02	1
10	1072408	(005000-) Hose, Afmkt, Rbr, Heater, 0.38id, 03ft	1

Fig. 32 – Mitsubishi Engine EFI Group, LPG (005000–)

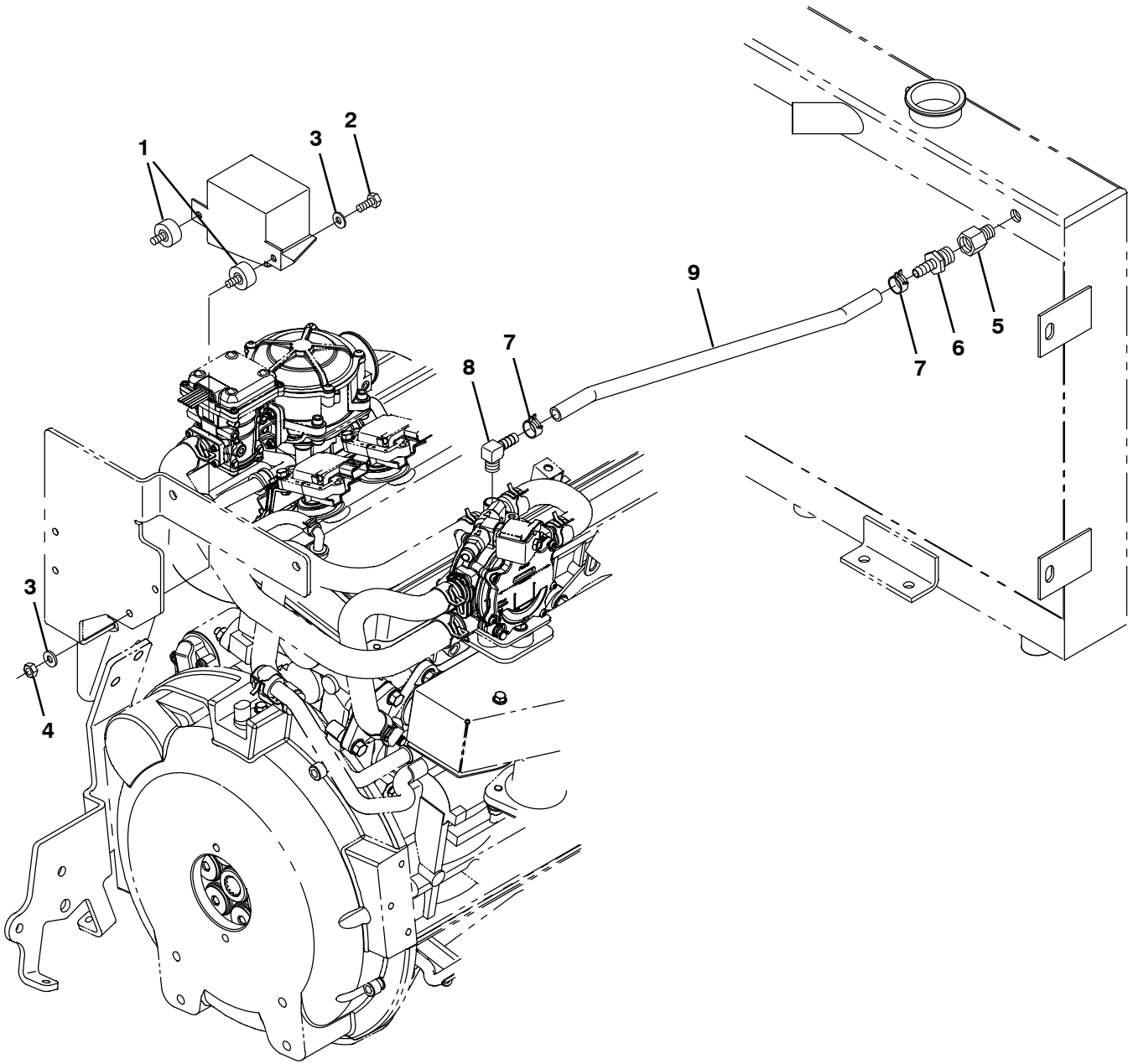


Fig. 32 - Mitsubishi Engine EFI Group, LPG (005000-)

Ref.	Part No.	Serial Number	Description	Qty.
1	372470	(005000-) Isolator, Box, Relay	2
2	19315	(005000-) Screw, Hex, .25-20 X 0.50, G5	2
3	32490	(005000-) Washer, Flat, 0.25, Std	4
4	19312	(005000-) Nut, Hex, Std, .25-20	2
5	1071440	(005000-) Fitting, Brs, Str, Pf06/Pm04	1
6	36159	(005000-) Fitting, Brs, Str, Bm06/Pm06	1
7	1072559	(005000-) Clamp, Hose, Spring Stl, 0.58d X 0.31w	2
8	1015815	(005000-) Fitting, Brs, E90, Bm06/Pm04	1
9	1072408	(005000-) Hose, Afmkt, Rbr, Heater, 0.38id, 03ft	1

Fig. 33 – Mitsubishi Engine Air Cleaner Group, Gasoline (005000–)

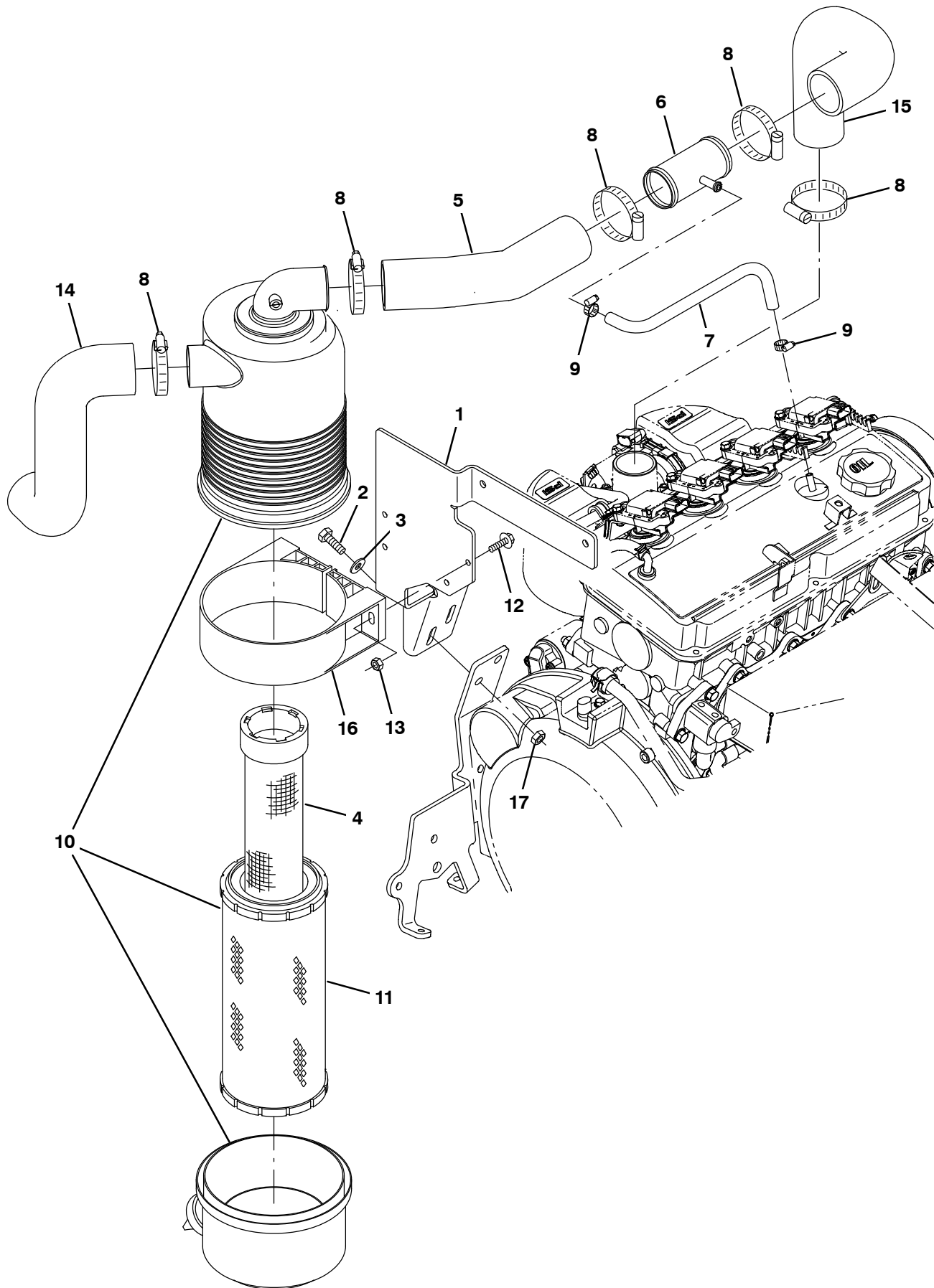


Fig. 33 - Mitsubishi Engine Air Cleaner Group, Gasoline (005000-)

Ref.	Part No.	Serial Number	Description	Qty.	
1	1070822	(005000-) Bracket, Mtg, Fltr, Air [Mit 2013]	1	
2	39277	(005000-) Screw, Hex, M8 X 1.25 X 25, 8.8	2	
3	32491	(005000-) Washer, Flat, 0.31, Std	2	
4	398279	(005000-) Element, Fltr, Air, Safety (OPTION)	1	
5	1070788	(005000-) Hose, Intake, Mold [Epdm Mit 2013]	1	
6	1070833	(005000-) Tube Wldt, Tee [Mit 2013]	1	
7	381391	(005000-) Hose, Drain, Overflow, Radiator [1pick=1ft]	1	
8	14432	(005000-) Clamp, Hose, Wormdrive, 1.81-2.75d, .50w	5	
9	54333	(005000-) Clamp, Hose, Wormdrive, 0.31-0.88d, .31w	2	
▽	10	369745	(005000-) Filter Assy, Air	1
▲	11	369746	(005000-) Element, Fltr, Air [Dn]	1
	12	1036892	(005000-) Screw, Hex, M6 X 1.00 X 25, 9.8 Sems	2
	13	08708	(005000-) Nut, Hex, Lock, M6 X 1.00, NI	2
	14	1020949	(005000-) Hose, Intake, Mold, 2.00id [Epdm]	1
	15	1071404	(005000-) Hose, Intake, Mold, Gas [Epdm Mit 2013]	1
	16	369747	(005000-) Clamp, Mtg, Fltr, Air	1
	17	08709	(005000-) Nut, Hex, Lock, M8 X 1.25, NI	2

Fig. 34 - Mitsubishi Engine Air Cleaner Group, LPG (005000-)

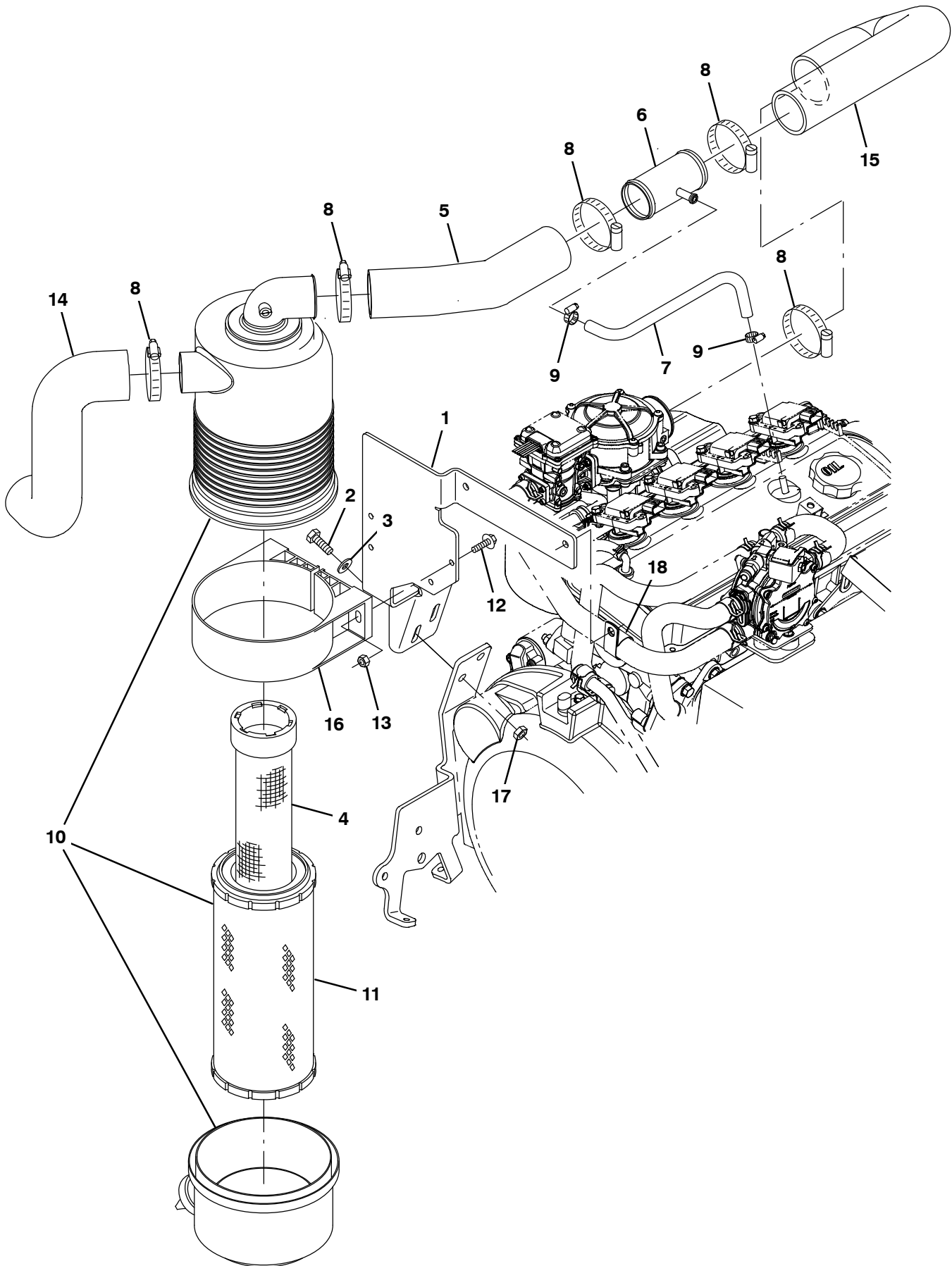


Fig. 34 - Mitsubishi Engine Air Cleaner Group, LPG (005000-)

Ref.	Part No.	Serial Number	Description	Qty.	
1	1070822	(005000-) Bracket, Mtg, Fltr, Air [Mit 2013]	1	
2	39277	(005000-) Screw, Hex, M8 X 1.25 X 25, 8.8	2	
3	32491	(005000-) Washer, Flat, 0.31, Std	2	
4	398279	(005000-) Element, Fltr, Air, Safety (OPTION)	1	
5	1070788	(005000-) Hose, Intake, Mold [Epdm Mit 2013]	1	
6	1070833	(005000-) Tube Wldt, Tee [Mit 2013]	1	
7	381391	(005000-) Hose, Drain, Overflow, Radiator [1pick=1ft]	1	
8	14432	(005000-) Clamp, Hose, Wormdrive, 1.81-2.75d, .50w	5	
9	54333	(005000-) Clamp, Hose, Wormdrive, 0.31-0.88d, .31w	2	
▽	10	369745	(005000-) Filter Assy, Air	1
▲	11	369746	(005000-) Element, Fltr, Air [Dn]	1
	12	1036892	(005000-) Screw, Hex, M6 X 1.00 X 25, 9.8 Sems	2
	13	08708	(005000-) Nut, Hex, Lock, M6 X 1.00, NI	2
	14	1020949	(005000-) Hose, Intake, Mold, 2.00id [Epdm]	1
	15	1070787	(006000-) Hose, Intake, Mold, Lpg [Epdm Mit2013]	1
	16	369747	(005000-) Clamp, Mtg, Fltr, Air	1
	17	08709	(005000-) Nut, Hex, Lock, M8 X 1.25, NI	2
	18	69234	(005000-) Clamp, Cable, Stl, 1.00d X 0.75w, 1hole	1

STANDARD PARTS

Fig. 35 - Mitsubishi Engine Alternator and Fan Group (005000-)

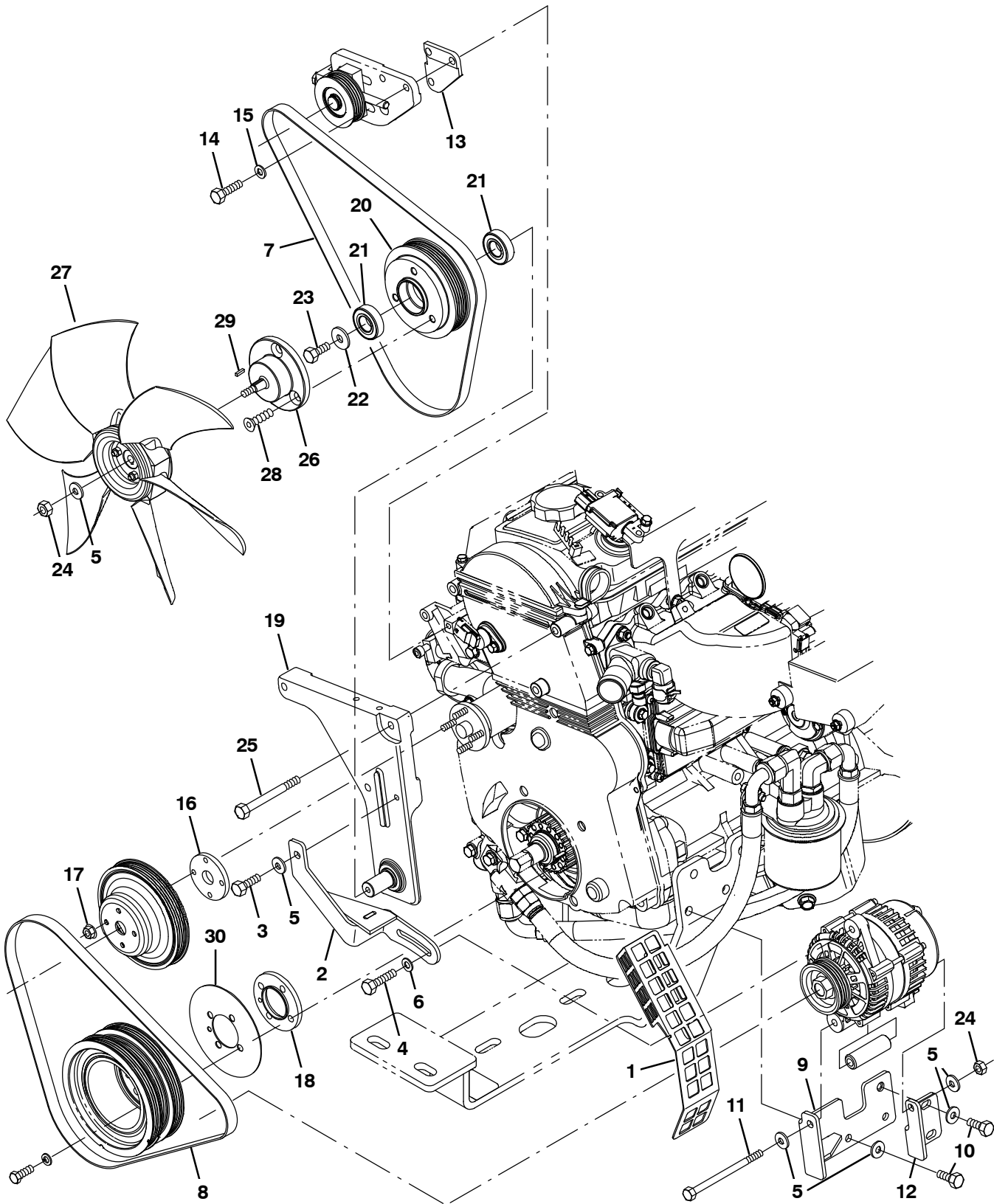


Fig. 35 – Mitsubishi Engine Alternator and Fan Group (005000–)

Ref.	Part No.	Serial Number	Description	Qty.
1	1071727	(005000–)	Guard, Fan, Side	1
2	1070890	(005000–)	Arm Wldt, Alternator [Mit 2013]	1
3	16931	(005000–)	Screw, Hex, M8 X 1.25 X 20, 8.8	1
4	04375	(005000–)	Screw, Hex, M8 X 1.25 X 40, 8.8, FI	1
5	32491	(005000–)	Washer, Flat, 0.31, Std	7
6	41186	(005000–)	Washer, Flat, Belleville, .31	1
7	1071144	(005000–)	Belt, Ribbed, Fan, 42.13l	1
8	1071145	(005000–)	Belt, Ribbed, Alternator, 41.5l	1
9	1070764	(005000–)	Bracket Wldt, Alternator [Mit13]	1
10	39277	(005000–)	Screw, Hex, M8 X 1.25 X 25, 8.8	3
11	49883	(005000–)	Screw, Hex, M8 X 1.25 X 120, 8.8, FI	1
12	1070619	(005000–)	Bracket, Mtg, Alternator [Mit 2013]	1
13	1071107	(005000–)	Block, Spacer	1
14	76570	(005000–)	Screw, Hex, M8 X 1.25 X 30, 8.8	2
15	39349	(005000–)	Washer, Flat, 0.31, Sae	2
16	1071108	(005000–)	Spacer, Pump, Water	1
17	07790	(005000–)	Nut, Hex, Flng, M6 X 1.00	4
18	1071110	(005000–)	Spacer, Crankshaft	1
19	1073529	(005000–)	Plate Wldt, Shaft, Fan [Shaft Extended]	1
20	1070426	(005000–)	Sheave, Mach [Mit 2615rpm Fan]	1
21	1055377	(005000–)	Bearing, Ball, 20mm B 42mm D 12mm W	2
22	1017218	(005000–)	Washer, Flat, 0.32b 1.00d .12, Ss	1
23	16735	(005000–)	Screw, Hex, M8 X 1.25 X 16, 8.8	1
24	08709	(005000–)	Nut, Hex, Lock, M8 X 1.25, NI	2
25	39281	(005000–)	Screw, Hex, M8 X 1.25 X 90, 8.8	3
26	1070431	(005000–)	Spacer, Fan, Taper [Mit 2013]	1
27	1031566	(005000–)	Fan, Cooling, 14.1d, 6 Blade, 0.5b Taper	1
28	48998	(005000–)	Screw, Flt, Soc, .38–16 X 1.00, Al	3
29	00960	(005000–)	Key, Sq, 0.12 X 0.12, 0.50l	1
30	1072421	(005000–)	Plate, Shield, Dust	1

Fig. 36 - Mitsubishi Engine Muffler Group (005000-)

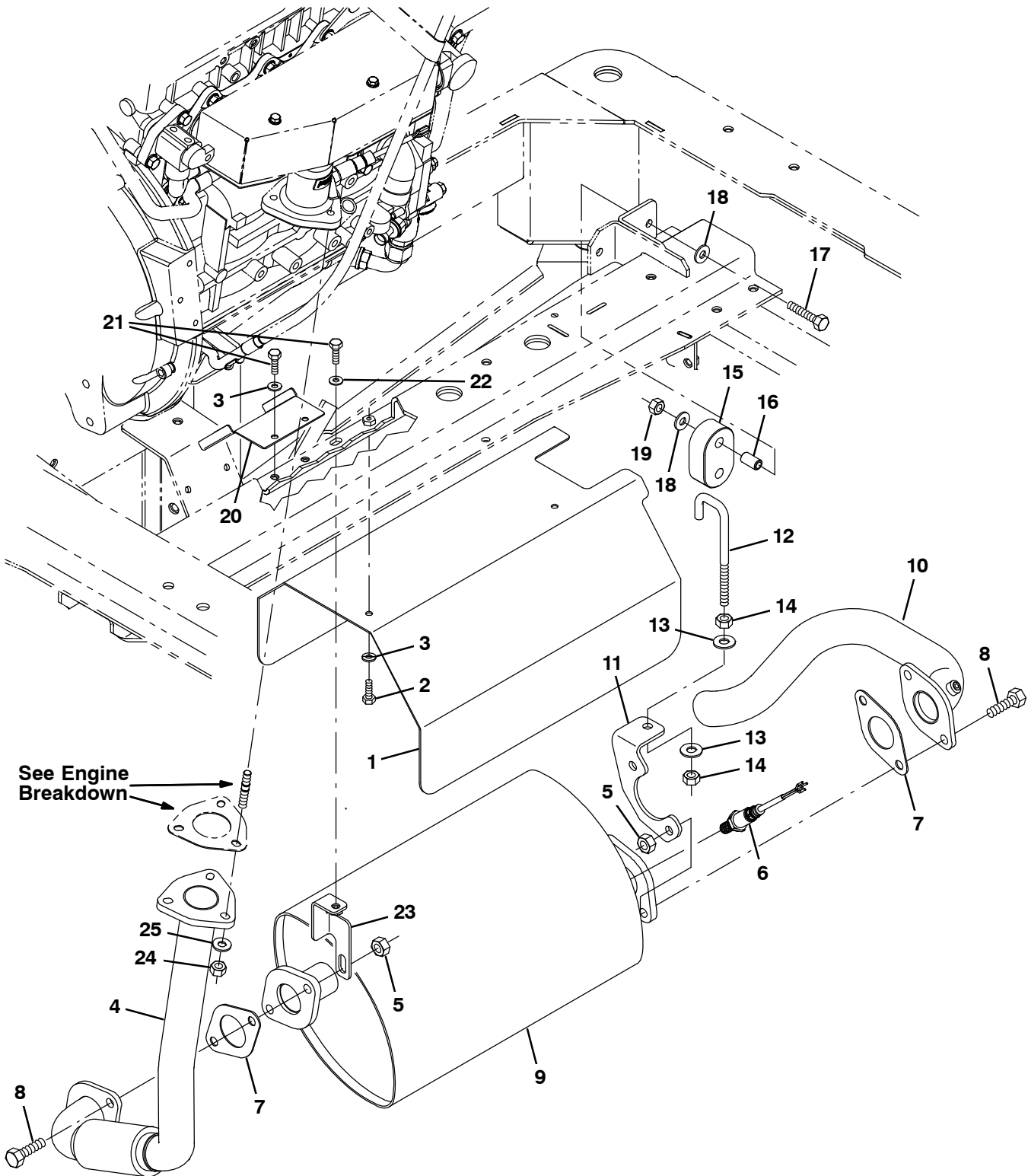


Fig. 36 – Mitsubishi Engine Muffler Group (005000–)

Ref.	Part No.	Serial Number	Description	Qty.
1	1028994	(005000–)	Channel, Shield, Muffler [M20/T20 2007]	1
2	08716	(005000–)	Screw, Hex, M6 X 1.0 X 20, Ss	2
3	32483	(005000–)	Washer, Flat, 0.25, Sae	4
4	9013159	(005000–)	Pipe Kit, Exhaust, Replmt [Mako Mitsu]	1
5	08166	(005000–)	Nut, Hex, M10 X 1.50 [Stover]	4
6	1028558	(005000–)	Sensor, Exhaust, Tailpipe	1
7	1011216	(005000–)	Gasket, Exhaust, 2hole, 3.4bc	2
8	39284	(005000–)	Screw, Hex, M10 X 1.5 X 35, 8.8	4
9	1071376	(005000–)	Muffler, Catalytic [Mit 2.0l 2013]	1
10	1028753	(005000–)	Tube, Exhaust, Flng, 1.5d [M20/T20 2007]	1
11	1028929	(005000–)	Bracket, Mtg, Muffler [M20/T20 2007]	1
12	1013117	(005000–)	Rod, Hanger, Isolator	1
13	32492	(005000–)	Washer, Flat, 0.38, Std	2
14	25014	(005000–)	Nut, Hex, Std, .38–16	2
15	1013031	(005000–)	Isolator, Rbr	1
16	222496	(005000–)	Sleeve, P/M, 0.31b 0.50d 0.9l [430ss]	1
17	222505	(005000–)	Screw, Hex, M8 X 1.25 X 45, Ss	1
18	01685	(005000–)	Washer, Flat, 0.38b 0.88d .08, Ss	2
19	08713	(005000–)	Nut, Hex, Lock, M8 X 1.25, NI, Ss	1
20	1071418	(005000–)	Shield, Tray, Drip [Mit 2013]	1
21	06943	(005000–)	Screw, Hex, M6 X 1.00 X 20, 8.8	3
22	32490	(005000–)	Washer, Flat, 0.25, Std	1
23	1071113	(005000–)	Bracket, Muffler	1
24	08165	(005000–)	Nut, Hex, Stover, M8	3
25	39349	(005000–)	Washer, Flat, 0.31, Sae	3

STANDARD PARTS

Fig. 37 – Mitsubishi Engine Radiator and Mount Group (005000-)

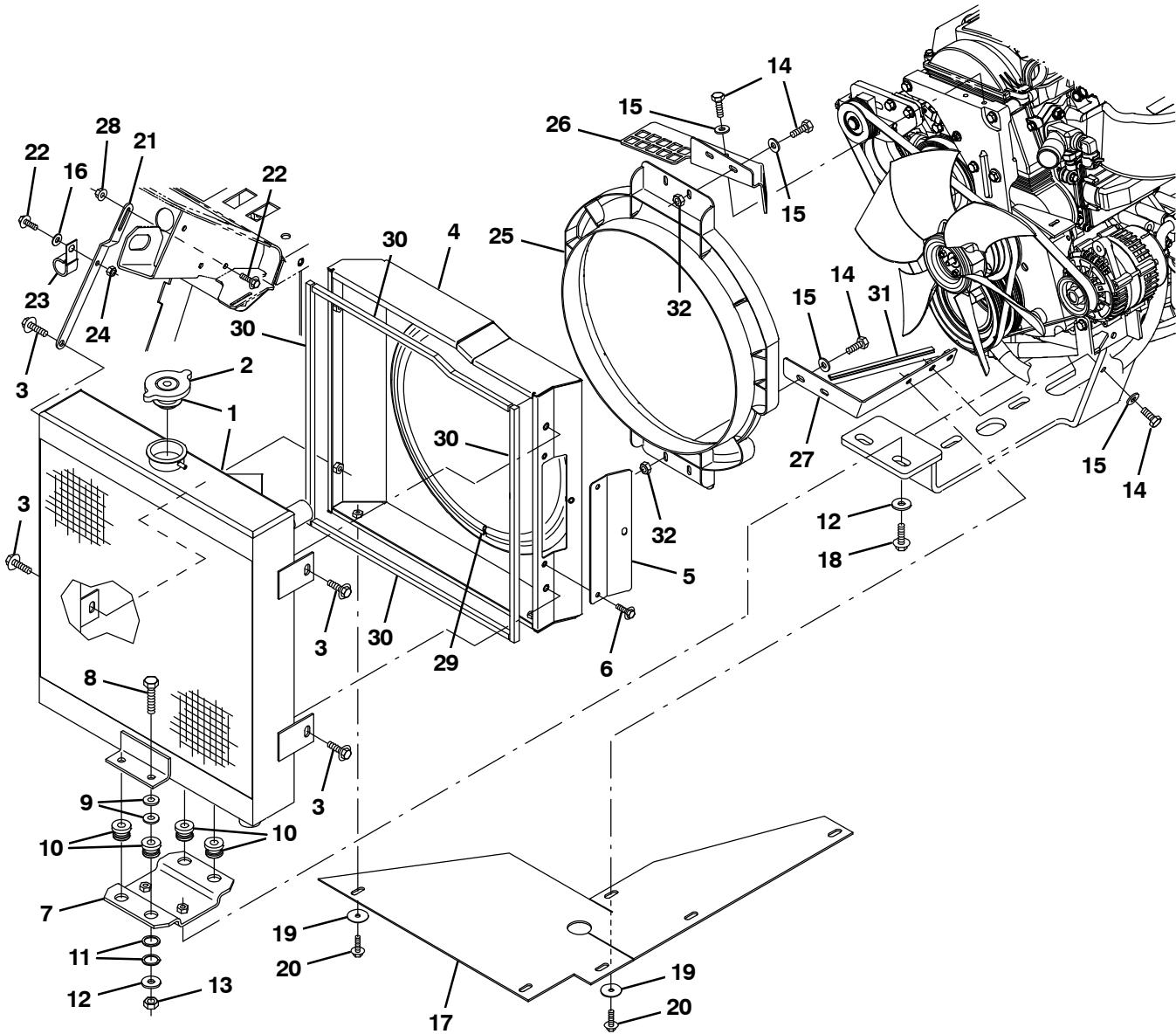


Fig. 37 – Mitsubishi Engine Radiator and Mount Group (005000–)

Ref.	Part No.	Serial Number	Description	Qty.
▽	1	1045940	(005000–) Radiator, W/ Hyd Cooler [Side X Side]	1
▲	2	1045764	(005000–) Cap, Radiator, 14Psi [Stant]	1
	3	1037346	(005000–) Screw, Hex, M8 X 1.25 X 25, 9.8, Sems	4
	4	9010096	(005000–) Shrd Wldt,Fan,G/Lp, Replmt [M20/M30/T20]	1
	4	9010097	(005000–) Shrd Wldt,Fan,G/Lp, Replmt [TJ] (Japan Only)	1
	5	1070955	(005000–) Plate, Door, Clean-Out [Mit2013]	1
	6	1036892	(005000–) Screw, Hex, M6 X 1.00 X 25, 9.8 Sems	3
	7	1046962	(005000–) Bracket, Mtg, Radiator	1
	8	06962	(005000–) Screw, Hex, M10 X 1.50 X 45, 8.8	4
	9	32492	(005000–) Washer, Flat, 0.38, Std	8
	10	54274	(005000–) Isolator, Vib, Bshg, 1.1d 0.6l .4b 0.78h	4
	11	09832	(005000–) Washer, Flat, 0.81b 1.06d .06, Stl	8
	12	1014563	(005000–) Washer, Flat, 0.40b 1.12d .12, Ss	4
	13	41430	(005000–) Nut, Hex, Lock, M10 X 1.5, NI	4
	14	39277	(005000–) Screw, Hex, M8 X 1.25 X 25, 8.8	8
	15	32491	(005000–) Washer, Flat, 0.31, Std	11
	16	32490	(005000–) Washer, Flat, 0.25, Std	2
	17	1071785	(005000–) Skirt, Eng Fan, Gas / Lp	1
	18	1037355	(005000–) Screw, Hex, M8 X 1.25 X 35, 9.8, Sems	2
	19	41178	(005000–) Washer, Flat, 0.25, Fendr	7
	20	1036892	(005000–) Screw, Hex, M6 X 1.00 X 25, 9.8 Sems	7
	21	1019968	(005000–) Bracket, Mtg, Radiator	1
	22	1040467	(005000–) Screw, Hex, M6 X 1.00 X 20, 9.8, Sems	2
	23	30407	(005000–) Clip, Keeper, Open	1
	24	08708	(005000–) Nut, Hex, Lock, M6 X 1.00, NI	1
	25	1054428	(005000–) Shroud, Fan	1
	26	1070434	(005000–) Bracket, Shrd, Fan, Upper, Sppt, G/Lpg	1
	27	1070860	(005000–) Bracket, Shrd, Fan, Lower, Sppt, G/Lpg	1
	28	07790	(005000–) Nut, Hex, FIng, M6 X 1.00	1
	29	1048166	(005000–) Seal, Afmkt, Bulb, Str, 0.58d 08ft	1
	30	1015205	(005000–) Seal, Afmkt, Ure, Adh, 0.38, 0.38w 02ft	4
	31	57569	(005000–) Molding, Trim, Pvc, .08-.11 06.8l	1
	32	08709	(005000–) Nut, Hex, Lock, M8 X 1.25, NI	4

Fig. 38 – Mitsubishi Engine Radiator Hose Group (005000-)

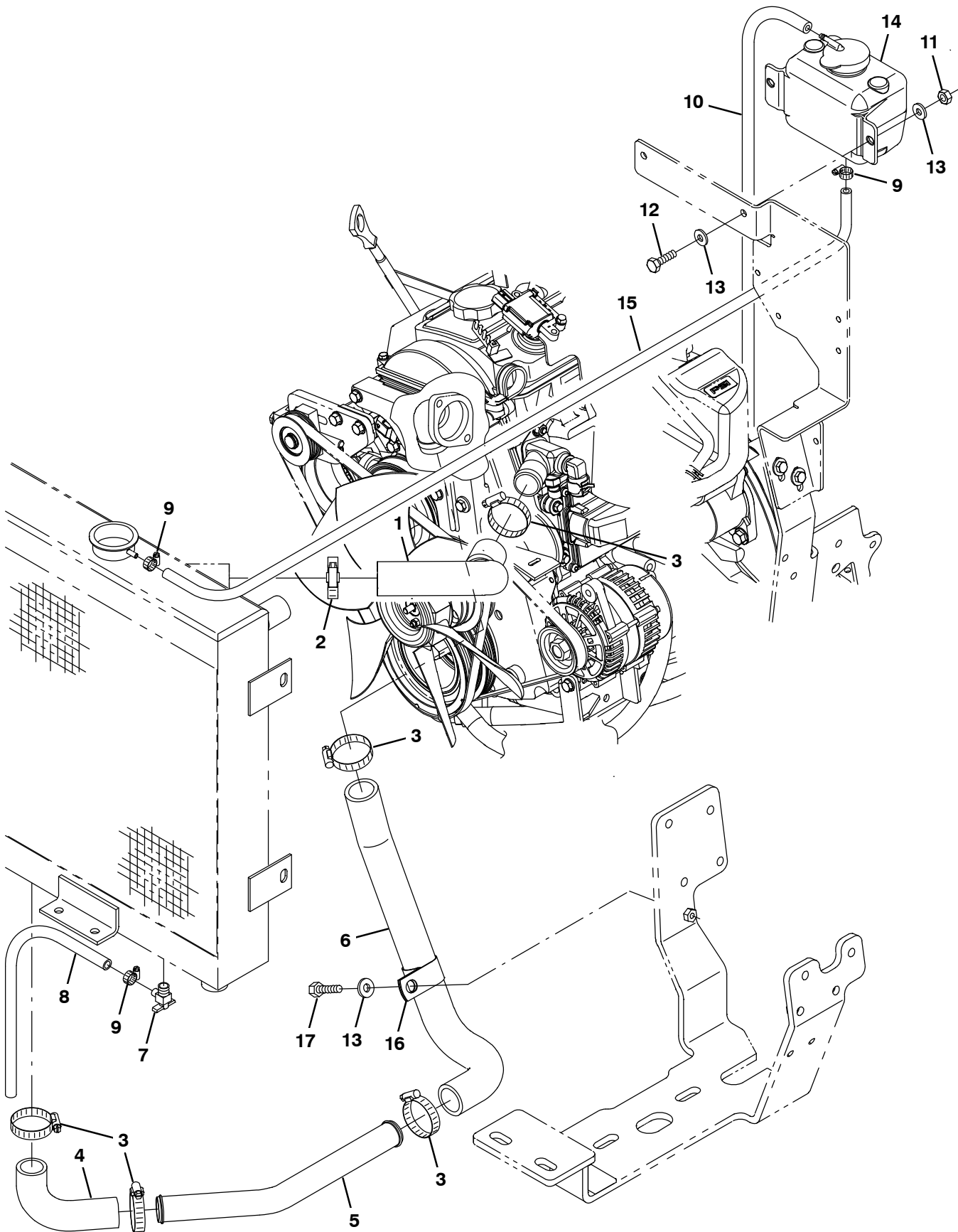


Fig. 38 – Mitsubishi Engine Radiator Hose Group (005000–)

Ref.	Part No.	Serial Number	Description	Qty.
1	1070732	(005000–)	Hose, Coolant, Upper, Mold [Mit 2013]	1
2	22297	(005000–)	Clamp, Hose, Wormdrive, 1.56–2.50d, .50w	1
3	79381	(005000–)	Clamp, Hose, Wormdrive, 1.25–2.00d, .50w	5
4	1007482	(005000–)	Hose, Rbr, E90, 1.25id 1.25id 04.2 03.1	1
5	1071099	(005000–)	Tube, Coolant, 1.3d, Lower [Mit 2013]	1
6	9010904	(005000–)	Hose Kit, Coolant, Replmt [Mitsubishi}	1
7	51305	(005000–)	Fitting, Draincock, E90, .25npt	1
8	73471	(005000–)	Hose, Pvc, Clr, 0.38id 0.56od 022.0l	1
9	43844	(005000–)	Clamp, Hose, Wormdrive, 0.25–0.62d, .31w	3
10	87738	(005000–)	Hose, Fuel, 0.18id, 29.0l	1
11	08709	(005000–)	Nut, Hex, Lock, M8 X 1.25, NI	2
12	39277	(005000–)	Screw, Hex, M8 X 1.25 X 25, 8.8	2
13	32491	(005000–)	Washer, Flat, 0.31, Std	5
14	1054382	(005000–)	Tank, Coolant, 03.6w 04.1hi 05.5l, 1liter	1
15	1014843	(005000–)	Hose, Afmkt, Coolant Recvy, 05ft	1
16	53466	(005000–)	Clamp, Cable, Stl, 1.50d X 1.00w, 1hole	1
17	16931	(005000–)	Screw, Hex, M8 X 1.25 X 20, 8.8	1

Fig. 39 – Engine Fuel Tank Group, Gasoline (00000–001499)

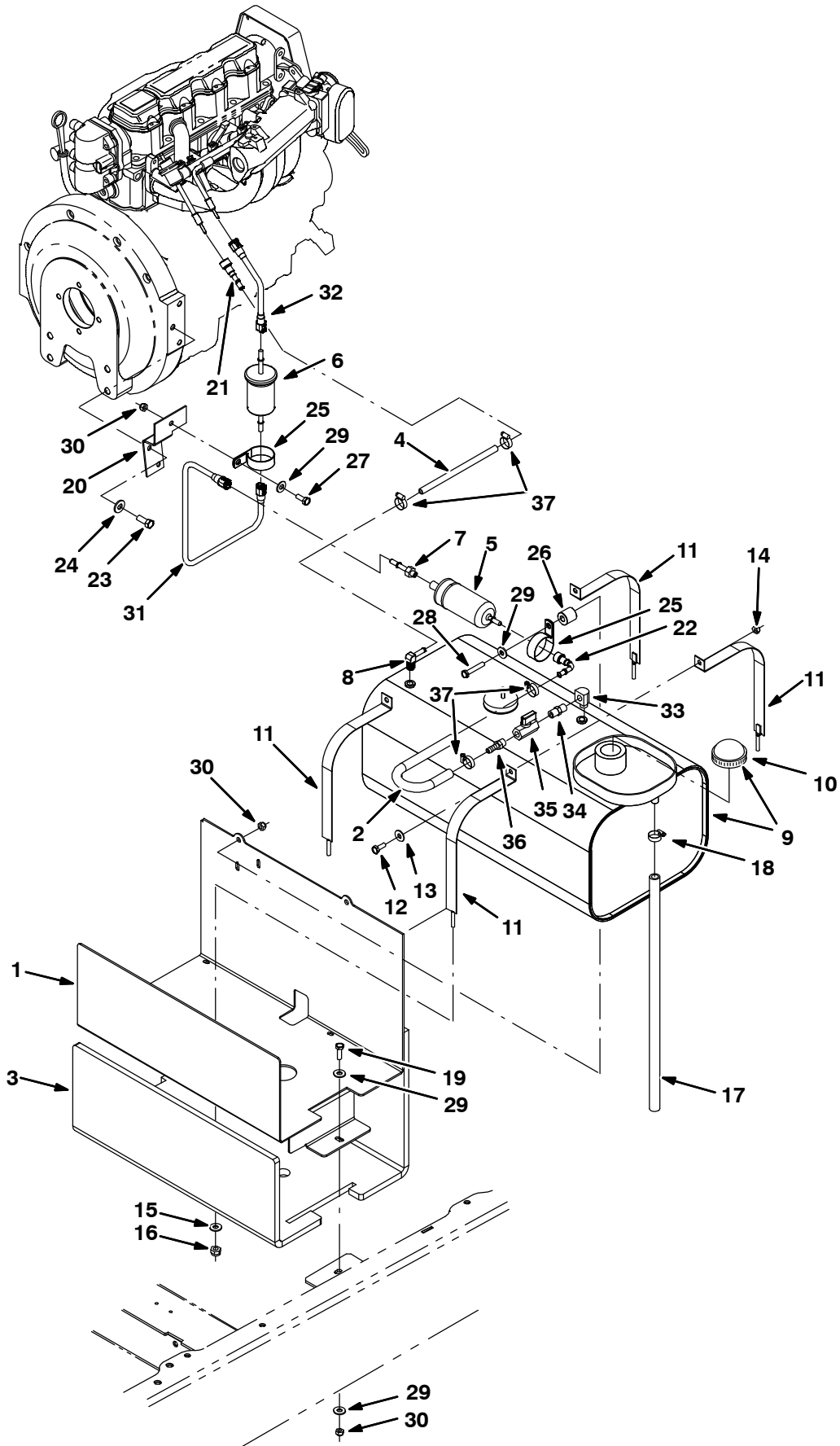


Fig. 39 – Engine Fuel Tank Group, Gasoline (000000–001499)

Ref.	Part No.	Serial Number	Description	Qty.	
1	1026550	(000000–001499)	Tray Wldt, Fuel	1	
2	87730	(000000–001499)	Hose, Fuel, 0.31id 12.0l	1	
3	1026759	(000000–001499)	Insulation, Flame–Retardant, 0.5	1	
4	1012160	(000000–001499)	Hose, Fuel, 0.31id 24.0l	1	
5	1011107	(000000–001499)	Pump, Fuel, Hi Press [Gm 1.6l/3.0l]	1	
6	372440	(000000–001499)	Filter, Fuel [Gm 1.6l/3.0l]	1	
7	1013086	(000000–001499)	Connector, Fuel, Qf	1	
8	9000355	(000000–001499)	Fitting, Brs, E90, Em05/Pm04	1	
▽	9	9002395	(000000–001499)	Tank, Fuel, 11.26Gal, gas, Replmt	1
▲	10	48267	(000000–001499)	Cap, Tank, Fuel, 2.3neck 2.6d	1
▲		1039521	(000000–001499)	Send–Unit, Fuel	1
	11	1025229	(000000–001499)	Strap, Tank, Gas	4
	12	39277	(000000–001499)	Screw, Hex, M8 X 1.25 X 25, 8.8	2
	13	32491	(000000–001499)	Washer, Flat, 0.31, Std	2
	14	08709	(000000–001499)	Nut, Hex, Lock, M8 X 1.25, NI	2
	15	32483	(000000–001499)	Washer, Flat, 0.25 Sae	4
	16	32981	(000000–001499)	Nut, Hex, Lock, .25–20, NI	4
	17	1023482	(000000–001499)	Hose, Fuel, 0.50id 21.0l	1
	18	54333	(000000–001499)	Clamp, Hose, Wormdrive, 0.31–0.88d, .31w	1
	19	39277	(000000–001499)	Screw, Hex, M8 X 1.25 X 25, 8.8	2
	20	1019416	(000000–001499)	Bracket, Mtg, Fuel	1
	21	1013086	(000000–001499)	Connector, Fuel, Qf	1
	22	1019939	(000000–001499)	Connector, Fuel, E90, Qf	1
	23	21197	(000000–001499)	Screw, Hex, .38–16 X 1.00, 5	2
	24	32492	(000000–001499)	Washer, Flat, 0.38 Std	2
	25	1011895	(000000–001499)	Clamp, Cable, Stl, 2.00d X 0.75w, 1 Hole	2
	26	383912	(000000–001499)	Sleeve, P/M, 0.43b 1.00d 1.0l, Stl	1
	27	16931	(000000–001499)	Screw, Hex, M8 X 1.25 X 20, 8.8	1
	28	06956	(000000–001499)	Screw, Hex, M8 X 1.25 X 45, 8.8	1
	29	32491	(000000–001499)	Washer, Flat, 0.31, Std	6
	30	08709	(000000–001499)	Nut, Hex, Lock, M8 X 1.25, NI	4
	31	1026664	(000000–001499)	Fuelline, .31d Str/Str, Plstc	1
	32	1019394	(000000–001499)	Fuelline, .31d Str/Str, Plstc	1
	33	27048	(000000–001499)	Fitting, Brs, E90, Pf04/Pm04	1
	34	398468	(000000–001499)	Fitting, Brs, Str, Pm04/Pm04	1
	35	1019940	(000000–001499)	Valve, Ball, 04pf, Chm W/ Handle	1
	36	392629	(000000–001499)	Fitting, Brs, Str, Bm05/Pm04	1
	37	54333	(000000–001499)	Clamp, Hose, Wormdrive, 0.31–0.88d, .31w	4

STANDARD PARTS

Fig. 40 - Engine Fuel Tank Group, Gasoline (001500-)

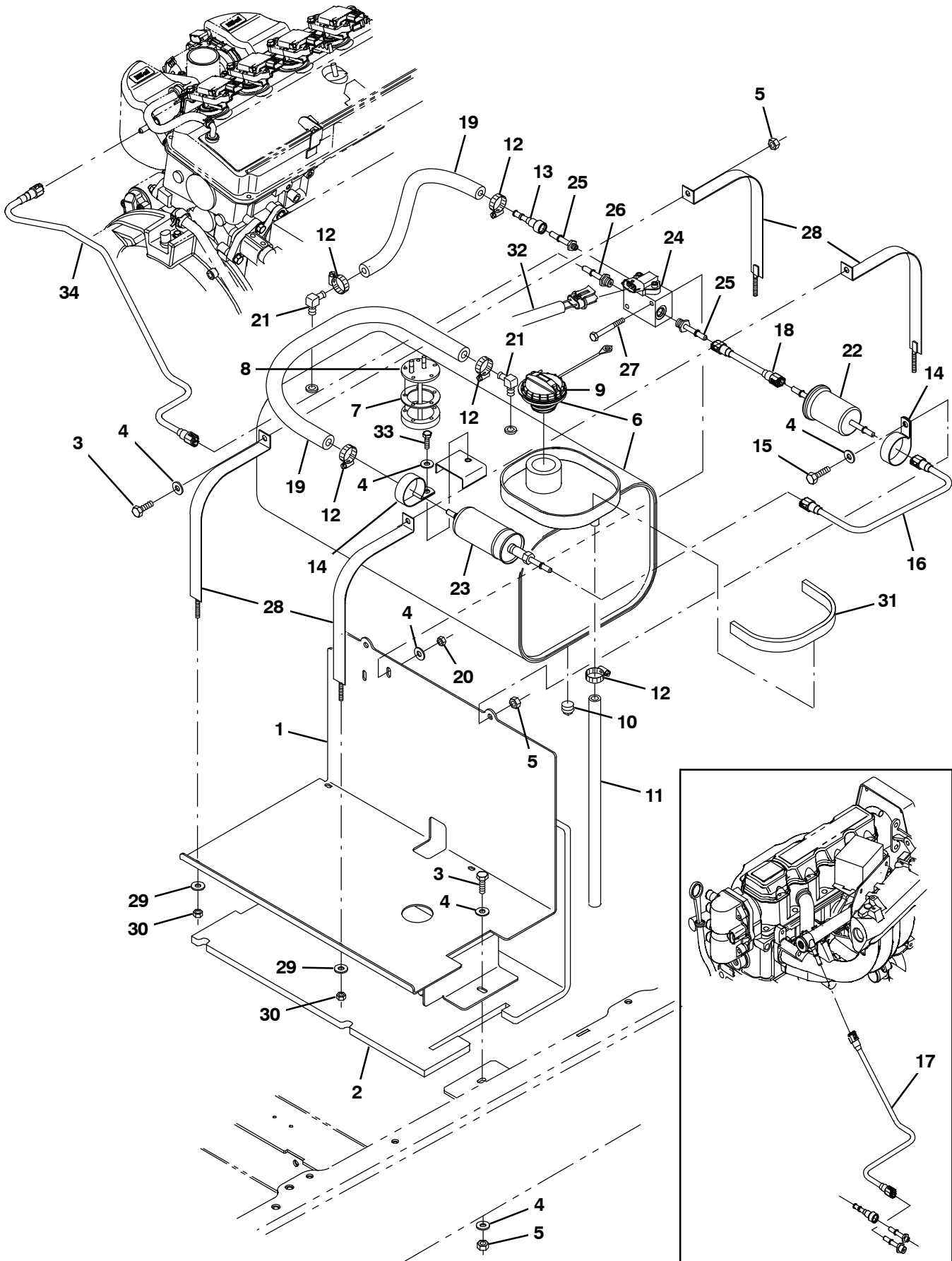


Fig. 40 – Engine Fuel Tank Group, Gasoline (001500–)

Ref.	Part No.	Serial Number	Description	Qty.
1	1026550	(001500–)	Tray Wildt, Fuel	1
2	1026759	(001500–)	Insulation, Flame-Retardant, 0.5	1
3	39277	(001500–)	Screw, Hex, M8 X 1.25 X 25, 8.8	4
4	32491	(001500–)	Washer, Flat, 0.31, Std	8
5	08709	(001500–)	Nut, Hex, Lock, M8 X 1.25, NI	5
▽	6	9003610	(001500–) Tank, Fuel, 11.2gal, Gas, Replmt [2007]	1
▲	7	1033897	(001500–) Gasket, Sender, Fuel	1
▲	8	1033901	(001500–) Send-Unit, Fuel [2007]	1
▲	9	1032812	(001500–) Cap, Fuel, Tank	1
▲	10	48126	(001500–) Fitting, Pipe, Plug, Pm02, Sq Head	1
	11	1023482	(001500–) Hose, Fuel, 0.50id, 21.0l	1
	12	54333	(001500–) Clamp, Hose, Wormdrive, 0.31–0.88d, .31w	5
	13	1013086	(001500–) Connector, Fuel, Qf	2
	14	1011895	(001500–) Clamp, Cable, Stl, 2.00d X 0.75w, 1hole	2
	15	06956	(001500–) Screw, Hex, M8 X 1.25 X 45, 8.8	2
	16	1034676	(001500–) Fuelline, .31d Str/Str,Plstc[M20/T20 07]	1
	17	1034655	(001500–004999) Fuelline, .31d Str/Str,Plstc[M20/T20 07]	1
	18	1012248	(001500–) Fuelline, .31d Str/Str, Plstc	1
	19	1033746	(001500–) Hose, Fuel, 0.31id [Evap Emission 07]	2
	20	54333	(001500–) Clamp, Hose, Wormdrive, 0.31–0.88d, .31w	4
	21	9000355	(001500–) Fitting, Brs, E90, Em05/Pm04	2
	22	372440	(001500–) Filter, Fuel [Gm 1.6l/3.0l]	1
	23	9006592	(001500–) Pump, Fuel	1
	24	1028924	(001500–) Manifold, Gas, Relief, Valve	1
	25	1029293	(001500–) Fitting, Fuel, Str, 0.56–18 [07 Eng]	2
	26	1029295	(001500–) Fitting, Fuel, Str, 0.38–24 [07 Eng]	1
	27	06949	(001500–) Screw, Hex, M6 X 1.0 X 50, 8.8	2
	28	1025229	(001500–) Strap, Tank, Gas	4
	29	32483	(001500–) Washer, Flat, 0.25, Sae	4
	30	32981	(001500–) Nut, Hex, Lock, .25–20, NI	4
	31	62595–15	(001500–) Molding, Trim, Pvc, .08–.11 13.2l	1
	32	385009	(001500–) Harness, Manifold, Gas	1
	33	16931	(001500–) Screw, Hex, M8 X 1.25 X 20, 8.8	1
	34	1071388	(005000–) Fuelline, .31d Str/Str, Plstc [Mit 2013]	1

Fig. 41 – Engine Fuel Tank Group, LPG

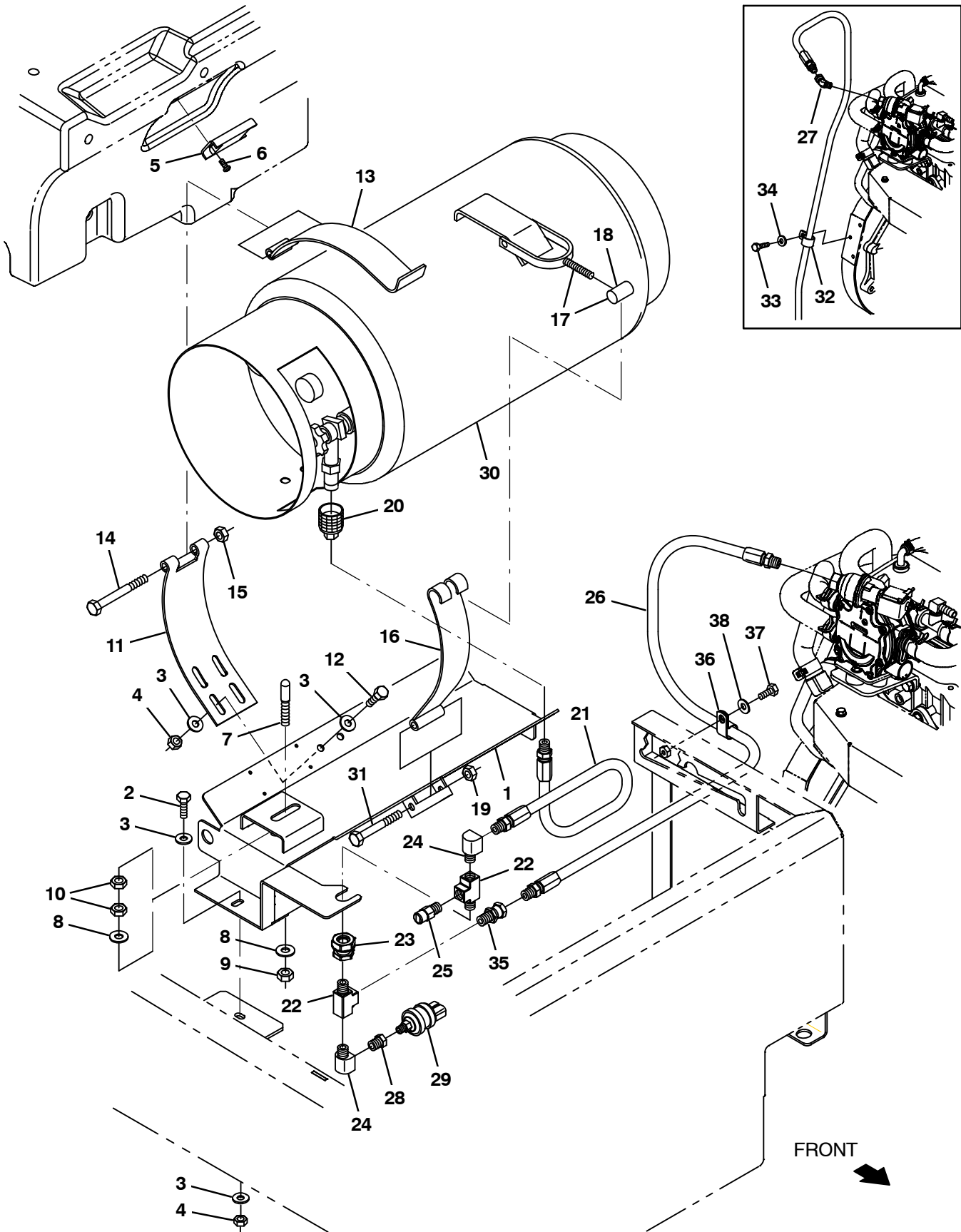


Fig. 41 - Engine Fuel Tank Group, LPG

Ref.	Part No.	Serial Number	Description	Qty.
1	1017947	(000000-) Tray Wldt, Lpg	1
2	39277	(000000-) Screw, Hex, M8 X 1.25 X 25, 8.8	2
3	32491	(000000-) Washer, Flat, 0.31, Std	8
4	08709	(000000-) Nut, Hex, Lock, M8 X 1.25, NI	4
5	63378	(000000-) Magnet, Drive Brush	1
6	09200	(000000-) Screw, Pan, M5 X 0.8 X 12, Ss	2
7	1024934	(000000-) Pin, Locating, Lpg	1
8	32492	(000000-) Washer, Flat, 0.38 Std	2
9	41430	(000000-) Nut, Hex, Lock, M10 X 1.5, NI	1
10	32716	(000000-) Nut, Hex, Jam, M10 X 1.5, Ss	2
11	58589	(000000-) Strap, Mtg, Tank, Lpg	1
12	16931	(000000-) Screw, Hex, M8 X 1.25 X 20, 8.8	2
13	57297	(000000-) Strap, Mtg, Tank, Lpg, Hinge	1
14	35710	(000000-) Screw, Hex, .38-16 X 3.75, 5	1
15	59156	(000000-) Nut, Hex, Lock, .38-16, NI, Ss	1
16	58590	(000000-) Strap, Mtg, Tank, Lpg	1
▽	17	53400-1	(000000-) Latch Assy, Mtg, Tank, Lpg, W/Nut	1
▲	18	53400-4	(000000-) Nut, Adj, Mtg, Tank, Lpg	1
19	36643	(000000-) Nut, Hex, Lock, .38-16, NI, Thin	1
20	26496	(000000-) Fitting, Brs, Qdc, Pf04, Lpg Fem	1
21	22308-6	(000000-) Hose, Lpg, Med05, Pm04str/Sm04str, 14.0l	1
22	150709	(000000-) Fitting, Brs, Tee, Pf04/Pf04/Pm04, Run	2
23	78122	(000000-) Fitting, Brs, Str, Pf04/Pf04, Bh	1
24	27048	(000000-) Fitting, Brs, E90, Pf04/Pm04	2
25	24047	(000000-) Valve, Lpg, Press Relief [Rego]	1
26	19760	(000000-) Hose, Lpg, Med05, Pm04str/Sm04str, 55.0l	1
27	392645	(000000-006119)) Fitting, Pipe, E45, Spcl	1
28	17414	(000000-) Fitting, Hyd, Str, Pf02/Pm04	1
29	23156	(000000-) Switch, Press, 12vdc 08a Spst Nc 0070psi	1
30	24928-1	(000000-) Tank, Lpg, 33lb, W/ Gauge [Empty, Liq]	1
31	35707	(000000-) Screw, Hex, .38-16 X 3.00, 5	1
32	69234	(005000-006119)) Clamp, Cable, Stl, 1.00d X 0.75w, 1hole	1
33	09740	(005000-006119)) Screw, Hex, M8 X 1.25 X 20, Ss	1
34	32491	(005000-006119)) Washer, Flat, 0.31, Std	1
35	11442-23	(006120-) Fitting, Pipe, Str, Pm04/Sf04	1
36	67767	(006120-) Clamp, Cable, Stl, 0.69d X 0.62w, 1hole	1
37	06942	(006120-) Screw, Hex, M6 X 1.00 X 16, 8.8	1
38	32483	(006120-) Washer, Flat, 0.25, Sae	1

Fig. 42 - Battery and Electrical Group

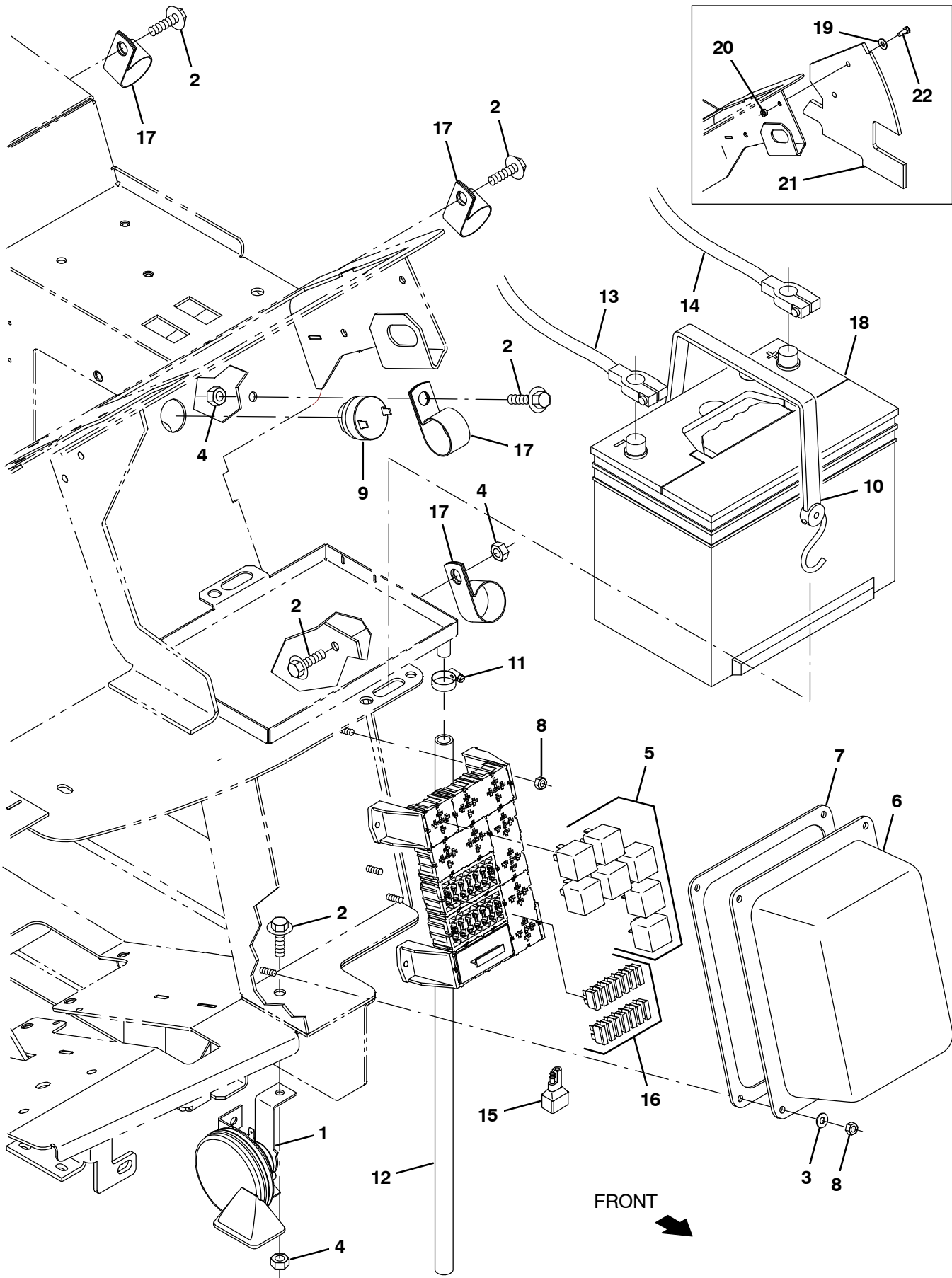


Fig. 42 - Battery and Electrical Group

Ref.	Part No.	Serial Number	Description	Qty.
1	369704	(000000-) Horn, 12vdc, Dba [Wolo]	1
2	1037346	(000000-) Screw, Hex, M8 X 1.25 X 25, 9.8, Sems	5
3	19066	(000000-) Washer, Flat, #10	4
4	08709	(000000-) Nut, Hex, Lock, M8 X 1.25, NI	3
5	57804	(000000-) Relay, 12vdc, 40a, Spdt N/O	7
6	1024274	(000000-) Cover, Fuse, Block	1
7	1026576	(000000-) Gasket, Cover, Fuse Block	1
8	06549	(000000-) Nut, Hex, Lock, M5 X 0.8, NI	8
9	1021290	(000000-) Alarm, Warning [Sonalert, St628]	1
10	33671	(000000-) Strap, Rbr, Tie-Down, 2/Hooks 19.0l	1
11	54333	(000000-) Clamp, Hose, Wormdrive, 0.31-0.88d, .31w	1
12	20778	(000000-) Hose, Pvc, Clr, 0.50id 0.69od 30.00l	1
13	60295	(000000-004999) Cable, Battery, 02ga 60.0l Blk .41ring	1
13	1071481	(005000-) Cable, Battery, 2ga, 62l, Blk	1
14	68869	(000000-004999) Cable, Battery, 02ga 48.0l Red .41ring	1
14	1071482	(005000-) Cable, Battery, 2ga, 60l, Red	1
15	222290	(000000-) Diode, Ele, Plug	1
16	762514	(000000-) Fuse, 015a	14
17	53466	(000000-) Clamp, Cable, Stl, 1.50d X 1.00w, 1h	4
18	10137	(000000-) Battery, 12vdc, 0475cca, Ah, Wet	1
19	32490	(000000-001013) Washer, Flat, 0.25 Std	2
20	08708	(000000-001013) Nut, Hex, Lock, M6 X 1.0, NI	2
21	1027228	(000000-001013) Seal, Radiator, Upper	1
22	06942	(000000-001013) Screw, Hex, M6 X 1.0 X 16, 8.8	2

Fig. 43 – Wheel Group, Front Drive

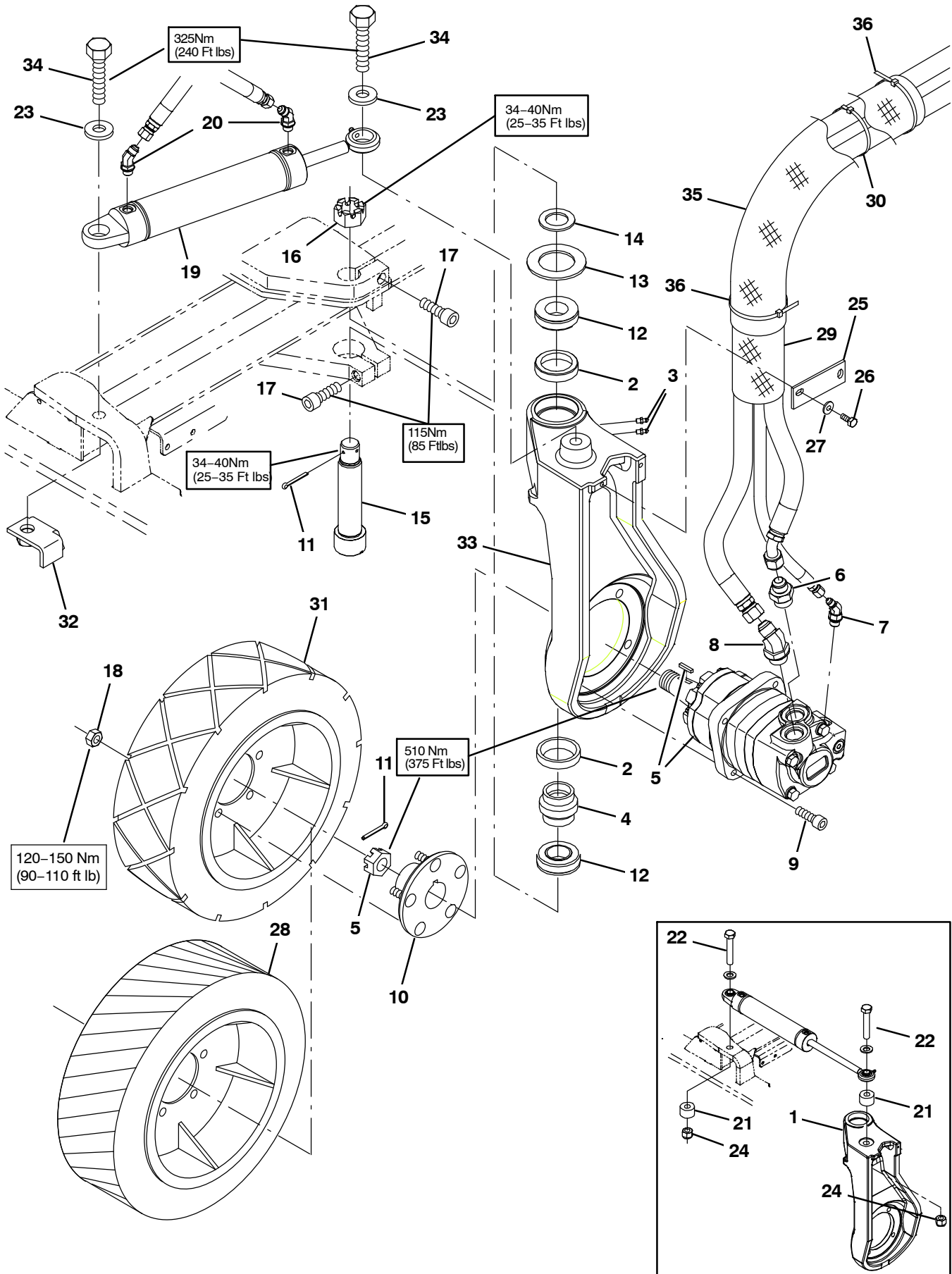


Fig. 43 – Wheel Group, Front Drive

Ref.	Part No.	Serial Number	Description	Qty.
1	9008248	(000000-002663)	Housing Kit, Drive, Front, Replmt	1
2	51338	(000000-)	Bearing, Cup, 2.56d 0.55w	2
3	47801	(000000-)	Fitting, Grease, Str Pm04 .63l	2
4	374560	(000000-)	Seal, Drive, Rear, Grease Cav	1
5	379609	(000000-)	Motor, Hyd, Gear, Int 19.0 Bi-Dir 3000 (See Breakdowns)	1
6	42223	(000000-)	Fitting, Hyd, Str, Jm10/Om12	1
7	393215	(000000-)	Fitting, Hyd, E45, Jm04/Om06	1
8	1024249	(000000-)	Fitting, Hyd, E45, Jm10/Om12	1
9	19583	(000000-)	Screw, Soc, .50-13 X 1.50, Al	4
▽	10 54087	(000000-)	Hub Assy, Wheel, 5 Bolt 4.50bc Taper B	1
▲	32126	(000000-)	Stud, Wheel, .50-20 X 1.50l, 0.370th	5
11	08180	(000000-)	Pin, Cotter, .125 X 2.00	2
12	51339	(000000-)	Bearing, Cone, 1.38b 0.71w	2
13	374563	(000000-)	Washer, Flat, 2.16b 3.50d .16, Felt	1
14	54051	(000000-)	Washer, Flat, 1.39b 2.12d .13, Stl	1
15	73281	(000000-)	Bolt, Shld, 1.37d X 5.13l, 1.1-18 Drilled	1
16	54052	(000000-)	Nut, Hex, Slt'd, 1.12-18	1
17	72926	(000000-)	Screw, Soc, M16 X 2.0 X 50, 12.9	2
18	24339	(000000-)	Nut, Wheel, .50-20 X 60 Angle	5
19	1017903	(000000-005896)	Cylinder, Hyd, 2.0b, 15.2l, 09.00strk, 3000	1
19	1034270	(005897-)	Cylinder, Hyd, 2.0b, 15.2l, 09.00strk, 3000	1
20	47522	(000000-)	Fitting, Hyd, E45, Jm06/Om06	2
21	71340	(000000-002663)	Tube, Rnd, 1.75d 0.77b 01.1l, Stl, Pntd	2
22	71341	(000000-002663)	Screw, Hex, .75-10 X 4.00, 5	2
23	39350	(000000-005896)	Washer, Flat, 0.75 Sae	2
23	1073487	(005897-)	Washer, Flat, .781b 1.63od .16, Stl, Blk	2
24	32987	(000000-002663)	Nut, Hex, Lock, .75-10, NI	2
25	58842	(000000-)	Bar, Flat, Stl 0.19, 01.50 X 04.1l	1
26	16931	(000000-)	Screw, Hex, M8 X 1.25 X 20, 8.8	2
27	32491	(000000-)	Washer, Flat, 0.31, Std	2
28	1061973	(000000-)	Tire, Drive, Scrbr, Pu, Grey, 18.0X6.0 (Optional Polyurethane)	1
29	57315	(000000-)	Sleeve, Nyl, #37 05.0l	2
30	49266	(000000-)	Tie, Cable, Nyl, 07.3l .19w 1.8 Max D	2
31	1059343	(000000-)	Tire, Drive, Scrbr, Non-Skid, 18.0X6.0	1
32	1060521	(002664-)	Bracket, Mtg, Sppt	1
33	1071061	(002664-)	Housing, Sppt, Front Wheel	1
34	77345	(002664-)	Screw, Hex, .75-10 X 3.25, G5	1
35	82832	(005000-)	Sleeve, Nyl, 2.38id 25.0l	1
36	49266	(005000-)	Tie, Cable, Nyl, 07.3l .19w 1.8 Max D	2

Fig. 44 - Wheel Group, Rear

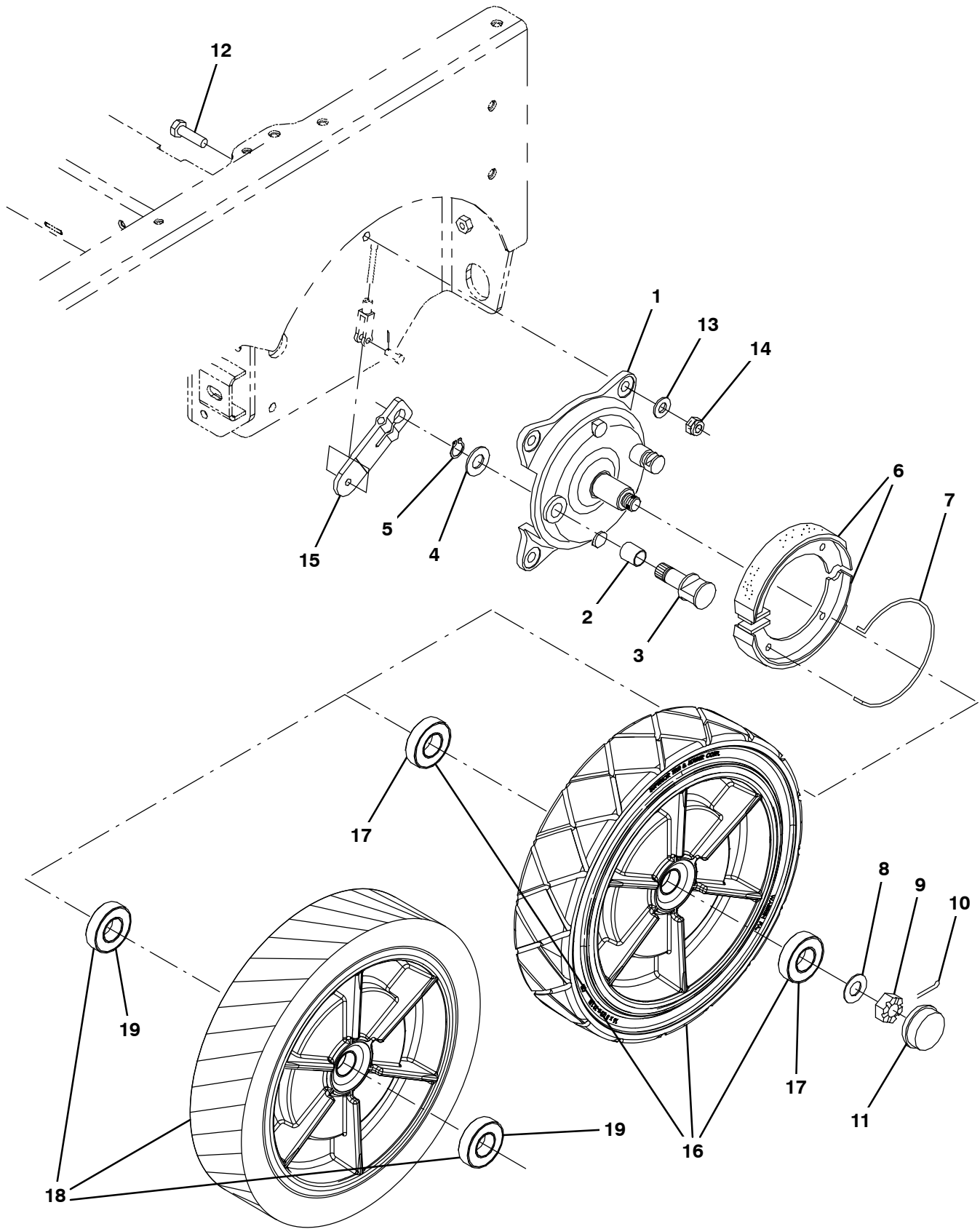


Fig. 44 – Wheel Group, Rear

	Ref.	Part No.	Serial Number	Description	Qty.
▽		360023	(000000–) Brake Assy, Drum, Mech, 07.0d 1.2w	2
▲	1	360270	(000000–) Plate, Backing, Brake	1
▲	2	360271	(000000–) Bushing, Sleeve, 0.78b 0.86d 0.93l, Bnz	1
▲	3	360272	(000000–) Cam, Plt, Brake [Nickel]	1
▲	4	360273	(000000–) Washer, Flat, M21.0b X 37d X 3	1
▲	5	360274	(000000–) Retainer, Ring, Brake	1
▲	6	360275	(000000–) Shoe, Brake, 180 X 30mm	2
▲	7	360276	(000000–) Spring, Wir, 0.25d, Return, Brake	1
	8	49145	(000000–) Washer, Flat, 0.76b 1.50d .06, Ss	2
	9	86659	(000000–) Nut, Hex, Sltd, .75–16	2
	10	08171	(000000–) Pin, Cotter, .156 X 2.00	2
	11	54390	(000000–) Cap, Hub, Dust 2.57d 0.77l	2
	12	06969	(000000–) Screw, Hex, M12 X 1.75 X 40, 8.8	8
	13	32486	(000000–) Washer, Flat, 0.50 Sae	8
	14	08711	(000000–) Nut, Hex, Lock, M12 X 1.75,NI	8
	15	360802	(000000–) Arm, Lever, Brake, 4.1 [Knott]	2
▽	16	1059671	(000000–) Tire, Idler, Scrbr, Blk, 16.0X3.5	2
▲	17	360074	(000000–) Bearing, Ball, 1.18b 2.44d 0.63w	2
▽	16	1059347	(000000–) Tire, Idler, Scrbr, Non–Skid, 16.0x3.5 (Optional)	2
▲	17	360074	(000000–) Bearing, Ball, 1.18b 2.44d 0.63w	2
▽	18	1061974	(000000–) Tire, Idler, Scrbr, Pu, Grey, 16.0X3.5 (Optional Polyurethane)	2
▲	19	360074	(000000–) Bearing, Ball, 1.18b 2.44d 0.63w	2

Fig. 45 - Brake Pedal Linkage Group

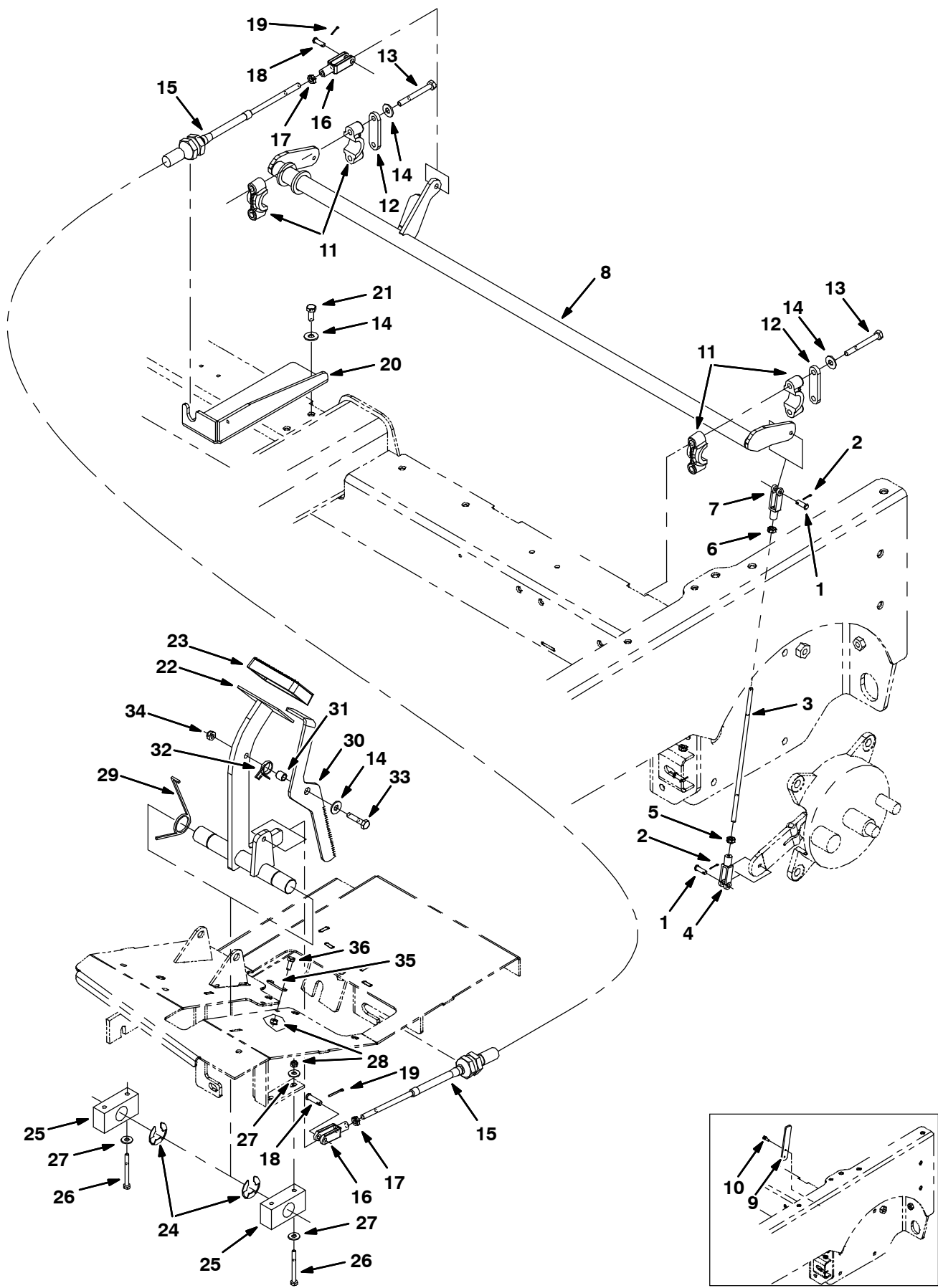


Fig. 45 – Brake Pedal Linkage Group

Ref.	Part No.	Serial Number	Description	Qty.
1	14605	(000000–) Pin, Clevis, 0.25d X 0.75l	4
2	08170	(000000–) Pin, Cotter, .062 X 0.50	4
3	364347	(000000–) Rod	2
4	14595–1	(000000–) Clevis, Adj, 0.25 Pin, 0.25–28 Rh, Pl	2
5	364948	(000000–) Nut, Hex, Std, .25–28, Lh	2
6	01714	(000000–) Nut, Hex, Std, .25–28	2
7	364864	(000000–) Clevis, Adj, 0.25pin, 0.25–28left Pl	2
8	1022031	(000000–) Shaft Wldt, Brake	1
9	1026025	(000000–) Plate, Stop, Brake	2
10	361339	(000000–) Screw, Hex, M6 X 1.0 X 16, Fmg	4
11	381502	(000000–) Bearing, Split, 1.00b	4
12	382224	(000000–) Plate, Sppt	2
13	39279	(000000–) Screw, Hex, M8 X 1.25 X 70, 8.8	4
14	32491	(000000–) Washer, Flat, 0.31, Std	7
15	1025495	(000000–) Cable, Push / Pull, 063.0l 4.0, .31–24	1
16	58311	(000000–) Clevis, Adj, 0.31pin, 0.31–24	2
17	20170	(000000–) Nut, Hex, Jam, .31–24	2
18	69582	(000000–) Pin, Clevis, 0.31d X 1.00l	2
19	08179	(000000–) Pin, Cotter, .094 X 1.00	2
20	1022736	(000000–) Bracket, Mtg, Cable	1
21	16931	(000000–) Screw, Hex, M8 X 1.25 X 20, 8.8	2
22	1022243	(000000–) Shaft Wldt, Pedal, Brake	1
23	51109	(000000–) Pad, Pedal, Brake, 3.96l 2.36w 0.75	1
24	23788	(000000–) Ring, Retaining, Ext, 0.98d, [E–Ring]	2
25	86751	(000000–) Bearing, Pillowblock, 1.02b [Solid Pye]	2
26	06548	(000000–) Screw, Hex, M6 X 1.0 X 60, 8.8	4
27	32490	(000000–) Washer, Flat, 0.25 Std	8
28	08708	(000000–) Nut, Hex, Lock, M6 X 1.0, NI	6
29	54607	(000000–) Spring, Tors, 1.13id .12wir 02.3coil Rh	2
30	1025487	(000000–) Pedal, Brake, Lock	1
31	46563	(000000–) Bushing, Sleeve, 0.37b 0.50d 0.50l, Oib	1
32	59009	(000000–) Spring, Tors, 0.75id .06wir 02.8coil	1
33	06955	(000000–) Screw, Hex, M8 X 1.25 X 35, 8.8	1
34	08709	(000000–) Nut, Hex, Lock, M8 X 1.25, NI	1
35	71367	(000000–) Spring, Wir, 0.08d, Brake, Parking	1
36	06942	(000000–) Screw, Hex, M6 X 1.0 X 16, 8.8	2

Fig. 46 - Directional Pedal Group

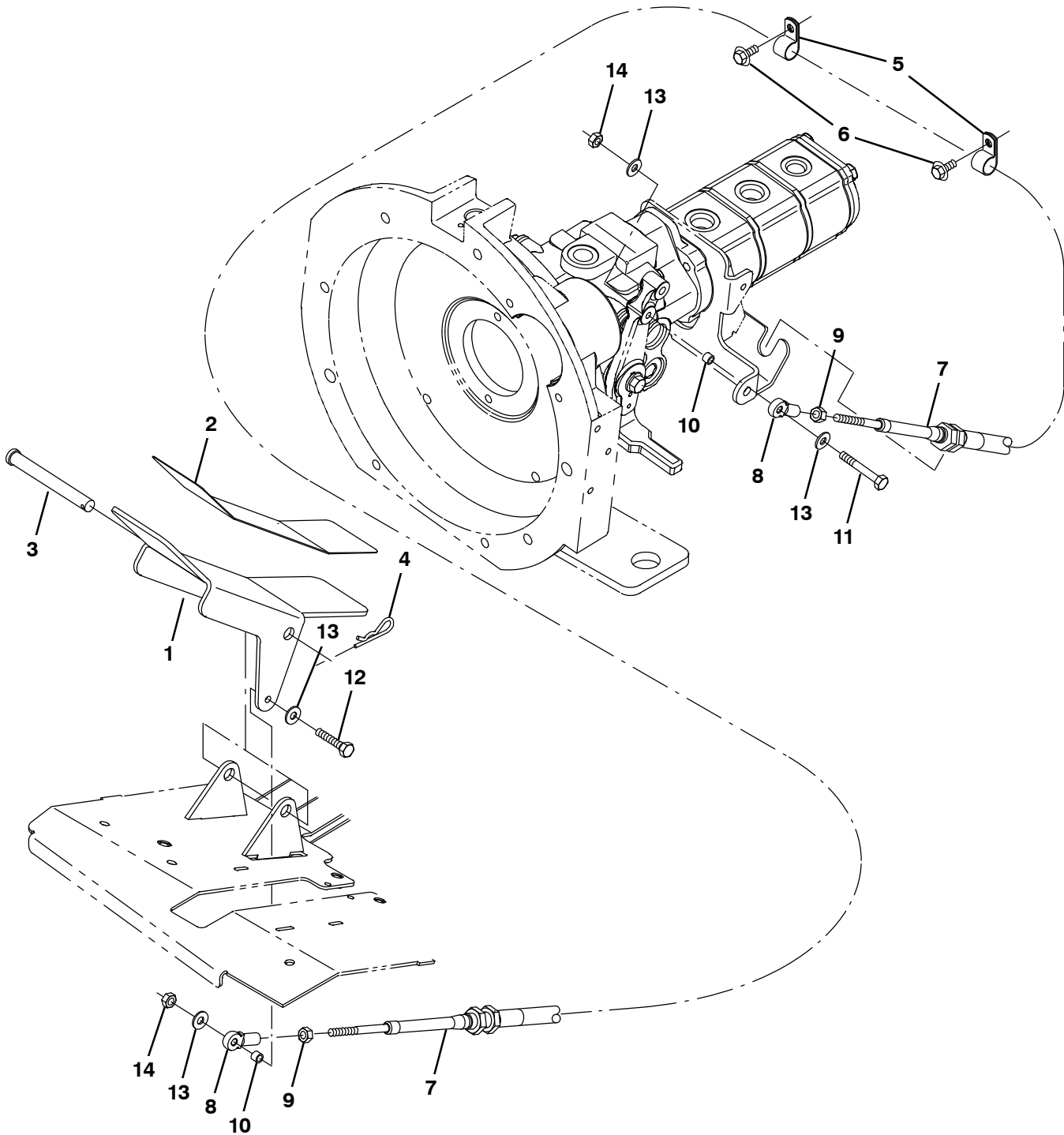


Fig. 46 – Directional Pedal Group

Ref.	Part No.	Serial Number	Description	Qty.
1	1025140	(000000–) Pedal, Propel	1
2	58819	(000000–) Tread, Non–Skid, 03.0w 11.6l	1
3	59668	(000000–) Pin, Clevis, 0.50 D X 4.50l	1
4	08182	(000000–) Pin, Cotter, .125 X 1.00	1
5	67767	(000000–) Clamp, Cable, Stl, 0.69d X 0.62w, 1h	2
6	361339	(000000–) Screw, Hex, M6 X 1.0 X 16, Fmg	2
7	1022345	(000000–) Cable, Push / Pull, 098.0l .25–28/.25–28	1
8	68866	(000000–) Rod–End, .25–28rh Fem 0.25b [Teflon]	2
9	01714	(000000–) Nut, Hex, Std, .25–28	2
10	65441	(000000–) Tube, 00.38d 00.26b 00.3l Stl Plt	2
11	41399	(000000–) Screw, Hex, .25–20 X 2.25, Ss	1
12	42180	(000000–) Screw, Hex, .25–20 X 1.75, Ss	1
13	32490	(000000–) Washer, Flat, 0.25 Std	4
14	41169	(000000–) Nut, Hex, Lock, .25–20, NI, Ss	2

Fig. 47 – Hydraulic Pump Linkage Group

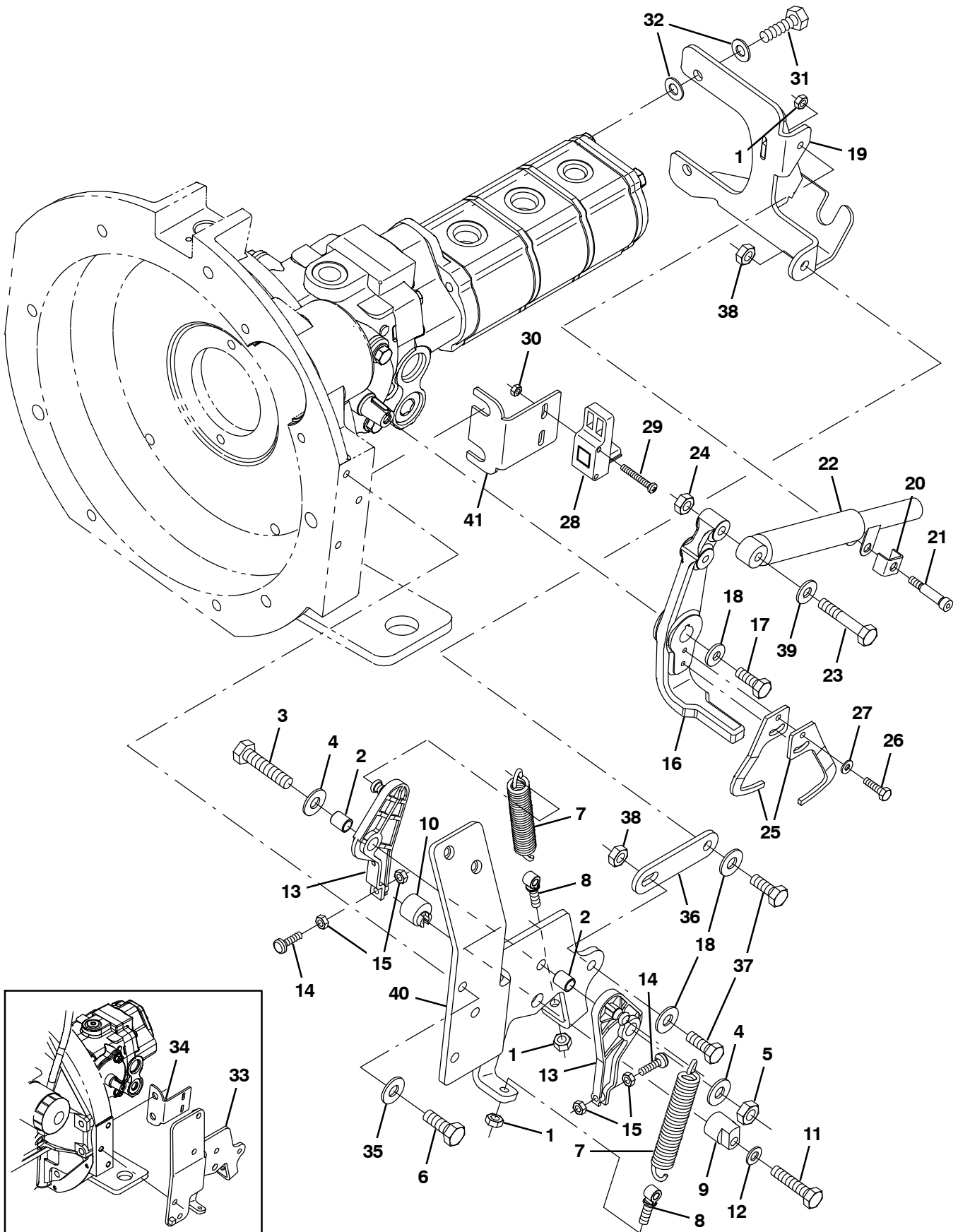


Fig. 47 – Hydraulic Pump Linkage Group

Ref.	Part No.	Serial Number	Description	Qty.
1	41169	(000000–)	Nut, Hex, Lock, .25–20, NI, Ss	3
2	63234	(000000–)	Tube, 00.50d 00.38b 00.6l Stl	2
3	42467	(000000–)	Screw, Hex, .38–16 X 2.00, Ss	1
4	32492	(000000–)	Washer, Flat, 0.38 Std	2
5	36643	(000000–)	Nut, Hex, Lock, .38–16, NI, Thin	1
6	21197	(000000–)	Screw, Hex, .38–16 X 1.00, 5	2
7	11842	(000000–)	Spring, Extn, 0.75od X 0.12wir, 4.3l	2
8	48079	(000000–)	Bolt, Eye, .25–20 X 1.40 X .25 Eye	1
9	53947	(000000–)	Cam, Centering, Pintle	1
10	54655	(000000–)	Cam, Centering, Pintle	1
11	74440	(000000–)	Screw, Hex, M8 X 1.25 X 40, Ss, NI	1
12	39349	(000000–)	Washer, Flat, 0.31 Sae	1
13	53953	(000000–)	Arm, Cntrl, Pintle, Centering	2
14	54205	(000000–)	Bumper, Rbr, 0.5d 0.16t M5 X 08	2
15	50335	(000000–)	Nut, Hex, Std, M5 X 0.8, 8	4
16	1027233	(000000–)	Arm, Pintle	1
17	83879	(000000–)	Screw, Hex, .31–24 X 0.75, NI	1
18	41186	(000000–)	Washer, Belleville, .31	3
19	1027313	(000000–)	Bracket Wldt, Propel, Pintle	1
20	84170	(000000–)	Bracket, Retainer, Safety	1
21	16213	(000000–)	Bolt, Shld, .31d X 1.00, .25–20	1
22	73411	(000000–)	Shock Absorber, 2.3 Strk	1
23	39278	(000000–)	Screw, Hex, M8 X 1.25 X 50, 8.8	1
24	08709	(000000–)	Nut, Hex, Lock, M8 X 1.25, NI	1
25	1022787	(000000–)	Arm [Positioning]	2
26	09252	(000000–)	Screw, Hex, M5 X 0.8 X 20, 8.8	2
27	01683	(000000–)	Washer, Flat, #10 Ss	2
28	1022779	(000000–)	Sensor, Spd / Dir, 6–30vdc	1
29	09198	(000000–)	Screw, Pan, M4 X 0.7 X 35, Ss	2
30	33932	(000000–)	Nut, Hex, Lock, M4 X 0.7, NI, Ss	2
31	46559	(000000–)	Screw, Hex, .38–16 X 1.25, NI	2
32	32485	(000000–)	Washer, Flat, 0.38 Sae	4
33	1022140	(000000–004999)	Bracket, Propel, Gas/Lpg	1
34	1022798	(000000–004999)	Bracket, Mtg, Cyl	1
35	41187	(000000–)	Washer, Flat, Belleville, .38	2
36	1032399	(000000–)	Strap, Sppt	1
37	09010	(000000–)	Screw, Hex, M8 X 1.25 X 25, Ss	2
38	08713	(000000–)	Nut, Hex, Lock, M8 X 1.25, NI, Ss	2
39	32490	(000000–)	Washer, Flat, 0.25 Std	1
40	1070798	(005000–)	Bracket, Propel, G/Lpg [Mit 2013]	1
41	1070819	(005000–)	Angle, Mtg	1

Fig. 48 – Cylindrical Scrub Brush Drive Group, Left Side

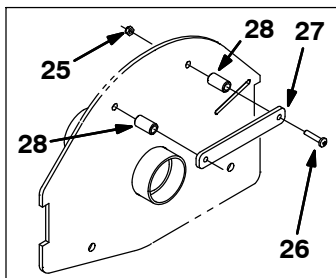
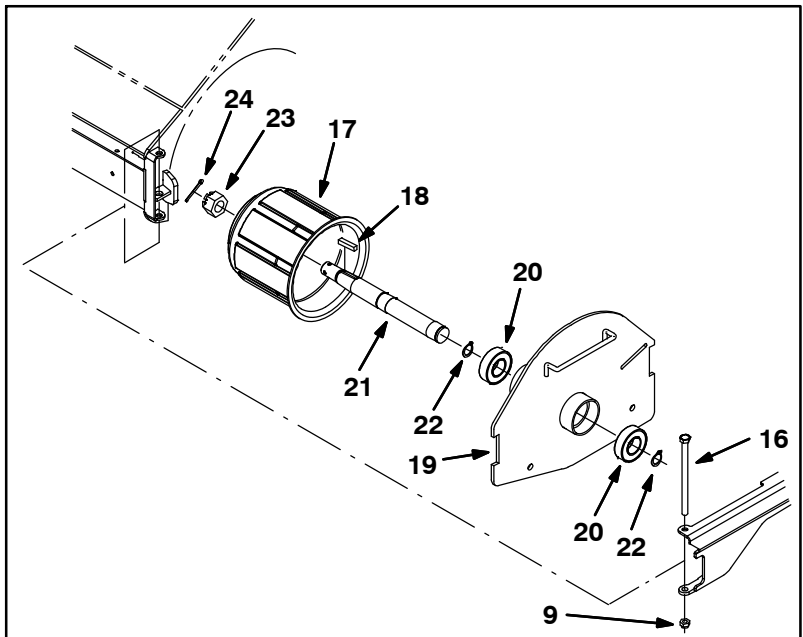
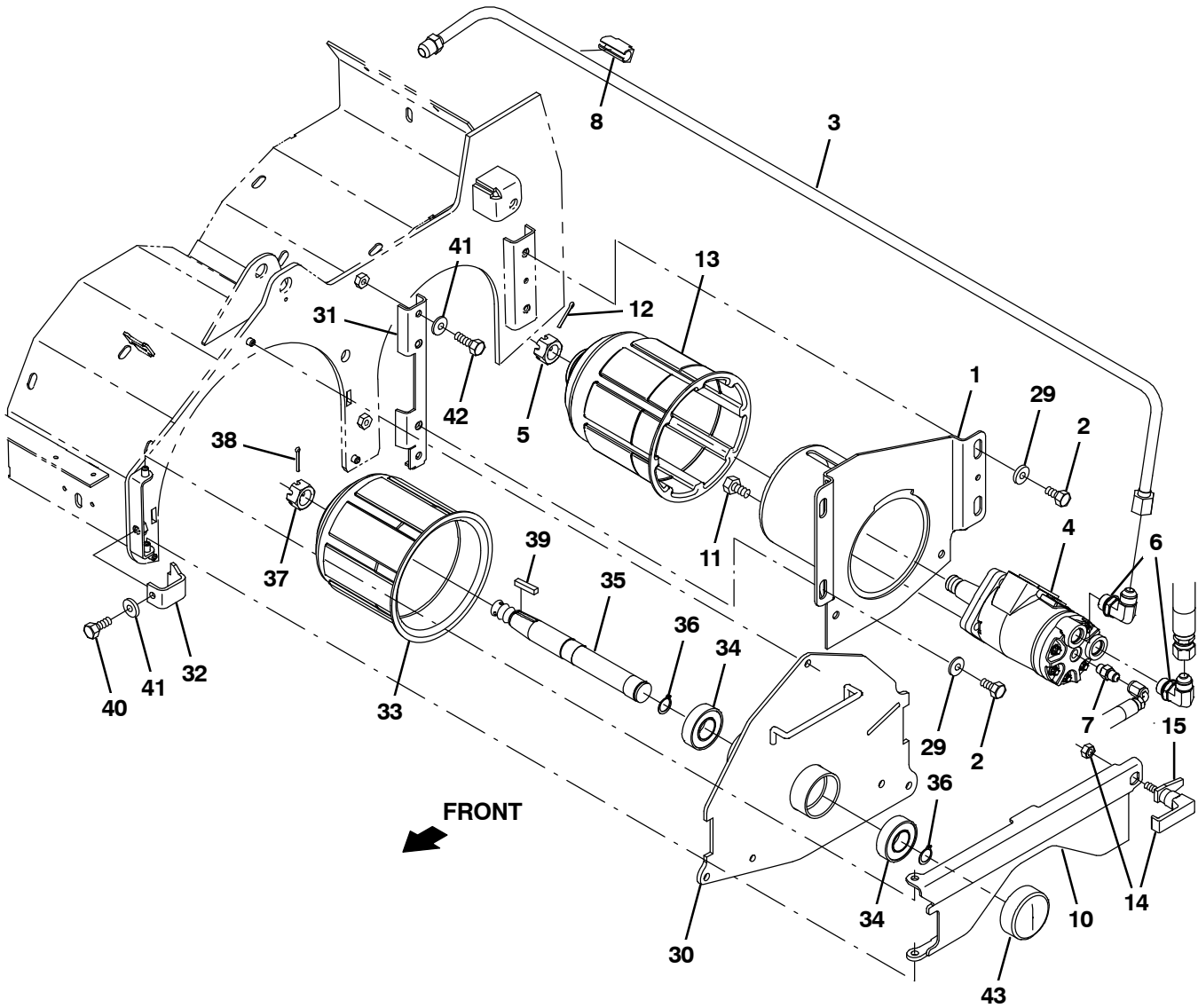


Fig. 48 – Cylindrical Scrub Brush Drive Group, Left Side

Ref.	Part No.	Serial Number	Description	Qty.	
1	1021019	(000000–)	Housing Wldt, Brush, Drive	1	
2	15675	(000000–)	Screw, Hex, M8 X 1.25 X 16, Ss	4	
3	1023617	(000000–)	Tube, Hyd, 08 Jf08/Jm08	1	
4	71729	(000000–002989)	Motor, Hyd, Gear, Int 04.5 Bi–Dir 1500 (See Breakdowns)	1	
▽	4	1068811	(002990–)	Motor, Hyd, Gear, Int 04.5 Bi–Dir 1500	1
▲	5	39527	(000000–)	Nut, Hex, Sltd, .75–16	1
6	44868	(000000–)	Fitting, Hyd, E90, Jm08/Om08	2	
7	55586	(000000–)	Fitting, Hyd, Str, Jm04/Om04	1	
8	1026080	(000000–)	Clamp, Hyd, 0.50d	1	
9	08713	(000000–003169)	Nut, Hex, Lock, M8 X 1.25, NI, Ss	1	
10	1029964	(000000–)	Door Wldt, Brush	1	
11	01762	(000000–)	Screw, Hex, .38–16 X 0.75, NI	4	
12	08175	(000000–)	Pin, Cotter, .125 X 1.25	1	
13	87631	(000000–002989)	Plug Wldt, Drive, Brush, Sweep	1	
13	1057643	(002990–)	Plug Wldt, Drive, Brush, Sweep	1	
14	65695	(000000–)	Latch	1	
15	1026352	(000000–)	Pawl, Str	1	
16	70563	(000000–003169)	Screw, Hex, M8 X 1.25 X 130, 8.8	1	
▽	9006398	(000000–003169)	Idler Assy, Brush, Replmt [M20/T20, M30]	1	
▲	17	25686	(000000–003169)	Plug Wldt, Drive, Brush	1
▲	18	00927	(000000–003169)	Key, Sq, 0.25 X 0.25, 1.25l	1
▲	19	1038258	(000000–003169)	Door Wldt, Brush, Idler	1
▲	20	13534	(000000–003169)	Bearing, Ball, 0.98b 2.05d 0.59w	2
▲	21	56078	(000000–003169)	Shaft, Brush, Idler	1
▲	22	09005	(000000–003169)	Ring, Retaining, Ext, 1.00d, Basic	2
▲	23	12295	(000000–003169)	Nut, Hex, Sltd, M20 X 2.5, 8	1
▲	24	08175	(000000–003169)	Pin, Cotter, .125 X 1.25	1
25	09739	(000000–001558)	Nut, Hex, Lock, M5 X 0.8, NI, Ss	2	
26	17185	(000000–001558)	Screw, Pan, M5 X 0.8 X 40, Ss	2	
27	1032743	(000000–001558)	Plate, Handle	1	
28	222496	(000000–001558)	Sleeve, P/M, 0.31b 0.50d 0.9l [430ss]	2	
29	32491	(000000–)	Washer, Flat, 0.31, Std	4	
30	1054857	(003170–)	Door Wldt, Brush, Idler	1	
31	1054575	(003170–)	Bracket, Sppt	1	
32	1054682	(003170–)	Bracket, Retainer, Lh	1	
33	25686	(003170–)	Plug Wldt, Drive, Brush	1	
34	13534	(003170–)	Bearing, Ball, 0.98b 2.05d 0.59w	2	
35	56078	(003170–)	Shaft, Brush, Idler	1	
36	09005	(003170–)	Ring, Retaining, Ext, 1.00d, Basic	2	
37	12295	(003170–)	Nut, Hex, Sltd, M20 X 2.5, 8	1	
38	08175	(003170–)	Pin, Cotter, .125 X 1.25	1	
39	00927	(003170–)	Key, Sq, 0.25 X 0.25, 1.25l	1	
40	09740	(003170–)	Screw, Hex, M8 X 1.25 X 20, Ss	1	
41	32491	(003170–)	Washer, Flat, 0.31, Std	3	
42	09010	(003170–)	Screw, Hex, M8 X 1.25 X 25, Ss	2	
43	1074807	(003170–)	Cap, Vinyl, 57mmid X 23mml	1	

STANDARD PARTS

Fig. 49 – Cylindrical Scrub Brush Drive Group, Right Side

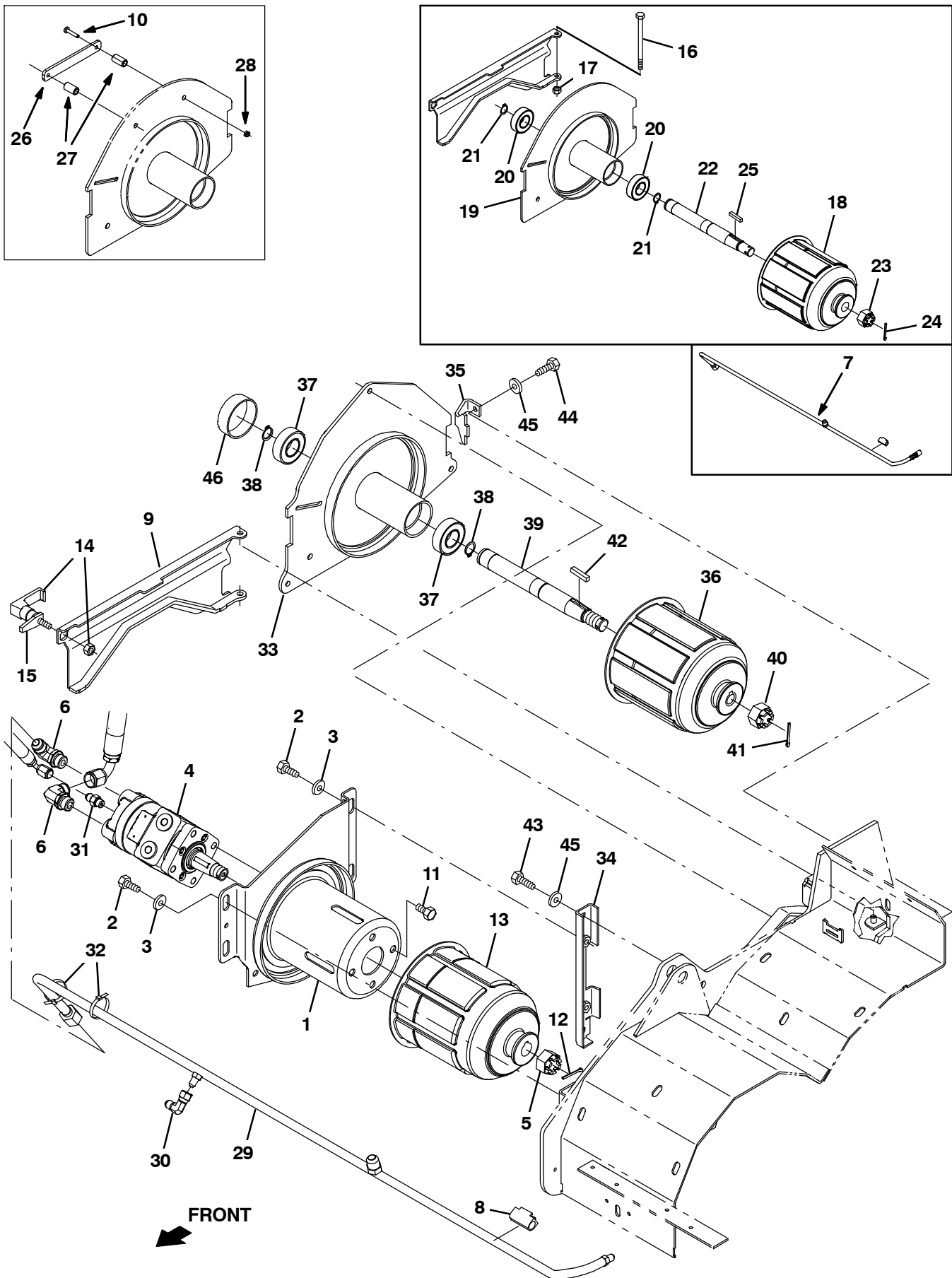


Fig. 49 – Cylindrical Scrub Brush Drive Group, Right Side

Ref.	Part No.	Serial Number	Description	Qty.	
1	1021019	(000000–)	Housing Wldt, Brush, Drive	1	
2	15675	(000000–)	Screw, Hex, M8 X 1.25 X 16, Ss	4	
3	32491	(000000–)	Washer, Flat, 0.31, Std	4	
4	71729	(000000–002989)	Motor, Hyd, Gear, Int 04.5 Bi–Dir 1500 (See Breakdowns)	1	
▽	4	1068811	(002990–)	Motor, Hyd, Gear, Int 04.5 Bi–Dir 1500	1
▲	5	39527	(000000–)	Nut, Hex, Sltld, .75–16	1
6	44868	(000000–)	Fitting, Hyd, E90, Jm08/Om08	2	
7	9006386	(000000–002096)	Tube Kit, Hyd, Case Drain [M20/T20]	1	
8	1026080	(000000–)	Clamp, Hyd, 0.50d	1	
9	1029964	(000000–)	Door Wldt, Brush	1	
10	17185	(000000–001558)	Screw, Pan, M5 X 0.8 X 40, Ss	2	
11	01762	(000000–)	Screw, Hex, .38–16 X 0.75, NI	4	
12	08175	(000000–)	Pin, Cotter, .125 X 1.25	1	
13	87631	(000000–002989)	Plug Wldt, Drive, Brush, Sweep	1	
13	1057643	(002990–)	Plug Wldt, Drive, Brush, Sweep	1	
14	65695	(000000–)	Latch	1	
15	1026352	(000000–)	Pawl, Str	1	
16	70563	(000000–003169)	Screw, Hex, M8 X 1.25 X 130, 8.8	1	
17	08713	(000000–003169)	Nut, Hex, Lock, M8 X 1.25, NI, Ss	1	
▽	9006398	(000000–003169)	Idler Assy, Brush, Replmt [M20/T20, M30]	1	
▲	18	25686	(000000–003169)	Plug Wldt, Drive, Brush	1
▲	19	1038258	(000000–003169)	Door Wldt, Brush, Idler	1
▲	20	13534	(000000–003169)	Bearing, Ball, 0.98b 2.05d 0.59w	2
▲	21	09005	(000000–003169)	Ring, Retaining, Ext, 1.00d, Basic	2
▲	22	56078	(000000–003169)	Shaft, Brush, Idler	1
▲	23	12295	(000000–003169)	Nut, Hex, Sltld, M20 X 2.5, 8	1
▲	24	08175	(000000–003169)	Pin, Cotter, .125 X 1.25	1
▲	25	00927	(000000–003169)	Key, Sq, 0.25 X 0.25, 1.25l	1
26	1032743	(000000–001558)	Plate, Handle	1	
27	222496	(000000–001558)	Sleeve, P/M, 0.31b 0.50d 0.9l [430ss]	2	
28	09739	(000000–001558)	Nut, Hex, Lock, M5 X 0.8, NI, Ss	2	
29	1055139	(002097–)	Tube, Hyd, Brush Return, W/ Cd [M20/T20]	1	
30	39210	(002097–)	Fitting, Hyd, E90, Jf04/Jm04	1	
31	55586	(002097–)	Fitting, Hyd, Str, Jm04/Om04	1	
32	49266	(002097–)	Tie, Cable, Nyl, 07.3l .19w 1.8 Max D	2	
33	1054857	(003170–)	Door Wldt, Brush, Idler	1	
34	1054575	(003170–)	Bracket, Sppt	1	
35	1054610	(003170–)	Bracket, Retainer, Rh	1	
36	25686	(003170–)	Plug Wldt, Drive, Brush	1	
37	13534	(003170–)	Bearing, Ball, 0.98b 2.05d 0.59w	2	
38	09005	(003170–)	Ring, Retaining, Ext, 1.00d, Basic	2	
39	56078	(003170–)	Shaft, Brush, Idler	1	
40	12295	(003170–)	Nut, Hex, Sltld, M20 X 2.5, 8	1	
41	08175	(003170–)	Pin, Cotter, .125 X 1.25	1	
42	00927	(003170–)	Key, Sq, 0.25 X 0.25, 1.25l	1	
43	09010	(003170–)	Screw, Hex, M8 X 1.25 X 25, Ss	2	
44	09740	(003170–)	Screw, Hex, M8 X 1.25 X 20, Ss	1	
45	32491	(003170–)	Washer, Flat, 0.31, Std	3	
46	1074807	(003170–)	Cap, Vinyl, 57mmid X 23mml	1	

Fig. 50 - Cylindrical Scrub Brush Head Lift Group

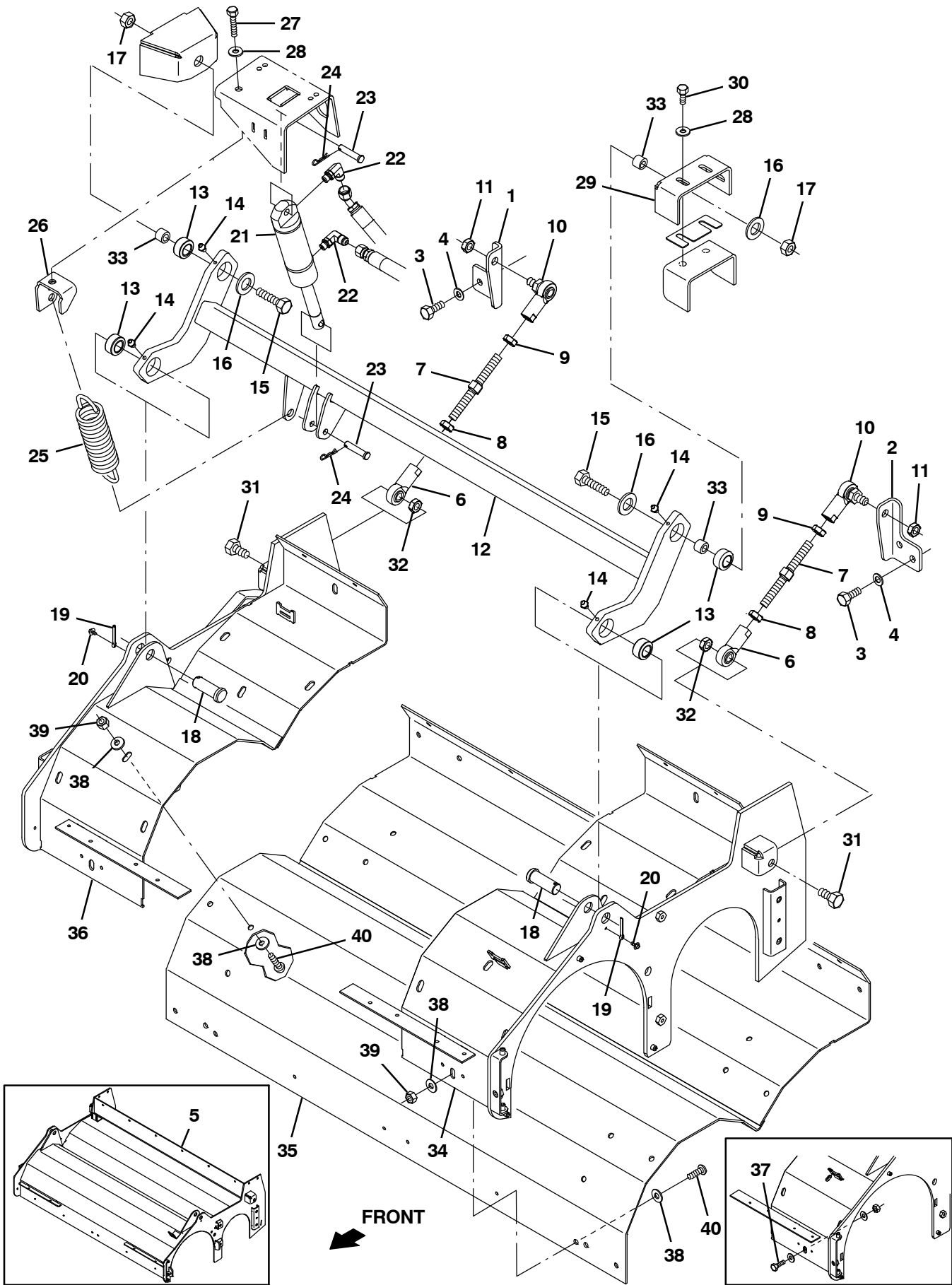


Fig. 50 – Cylindrical Scrub Brush Head Lift Group

Ref.	Part No.	Serial Number	Description	Qty.
1	1030910	(000000–)	Bracket, Mtg, Scb Head, Rh	1
2	1030911	(000000–)	Bracket, Mtg, Scb Head, Lh	1
3	09028	(000000–)	Screw, Hex, M10 X 1.5 X 25, Ss	4
4	32485	(000000–)	Washer, Flat, 0.38 Sae	4
5	1020002	(000000–003169)	Housing Wldt, Swp, Scb	1
6	67555	(000000–)	Rod–End, .50–20rh Fem 0.50b	2
7	1014705	(000000–)	Rod, Thrd, 2 End, .50–20 04.9l, Rh / Lh	2
8	48985	(000000–)	Nut, Hex, Jam, .50–20	2
9	71369	(000000–)	Nut, Hex, Jam, .50–20, Lh	2
10	382099	(000000–)	Rod–End, .50–20lh Fem 0.50–20stud	2
11	51824	(000000–)	Nut, Hex, Lock, .50–20, NI, Thin	2
12	1020003	(000000–)	Tube Wldt, Torque	1
13	42120	(000000–)	Bearing, Self Align, 0.75b 1.25d	4
14	07259	(000000–)	Fitting, Grease, Str Pm04 .47l	4
15	06969	(000000–)	Screw, Hex, M12 X 1.75 X 40, 8.8	2
16	41619	(000000–)	Washer, Flat, 0.56b 1.38d .11, Ss	2
17	09741	(000000–)	Nut, Hex, Lock, M12 X 1.75, NI, Ss	2
18	04733–12	(000000–)	Pin, Clevis, 0.75d X 2.00l	2
19	08236	(000000–)	Pin, Cotter, .156 X 1.25	2
20	223198	(000000–)	Screw, Hex, M5 X 0.8 X 10, Fmg	2
21	1038137	(000000–)	Cylinder, Hyd, 1.5b 07.8l 02.80strk 2500	1
22	77098	(000000–)	Fitting, Hyd, E90, Jm06/Om04	2
23	17461	(000000–)	Pin, Clevis, 0.37d X 1.75l	2
24	86866	(000000–)	Pin, Cotter, Hair, 0.38d .072 Wir	2
25	1042686	(000000–)	Spring, Extn, 2.00od 0.25wir 07.5l	1
26	1027810	(000000–)	Bracket, Mtg, Spring	1
27	763090	(000000–)	Screw, Hex, M8 X 1.25 X 60, FI	1
28	32491	(000000–)	Washer, Flat, 0.31, Std	4
29	1019146	(000000–)	Bracket, Mtg, Lift, Scb Head	1
30	09740	(000000–)	Screw, Hex, M8 X 1.25 X 20, Ss	3
31	39811	(000000–)	Screw, Hex, .50–13 X 1.50, 5	2
32	36644	(000000–)	Nut, Hex, Lock, .50–13, NI, Thin	2
33	1025100	(000000–)	Sleeve, P/M, 0.47b 0.75d 0.5l [430ss]	3
34	1052342	(003170–)	Bracket Wldt, Brush Wrap, Lh	1
35	1069562	(003170–)	Plate Wldt, Wrap, Brush	1
36	1052124	(003170–)	Bracket Wldt, Brush Wrap Mtg, Rh	1
37	09740	(003170–004615)	Screw, Hex, M8 X 1.25 X 20, Ss	10
38	32491	(003170–)	Washer, Flat, 0.31, Std	20
39	08713	(003170–)	Nut, Hex, Lock, M8 X 1.25, NI, Ss	10
40	223470	(004616–)	Screw, Btn, M8 X 1.25 X 25, Ss	10

Fig. 51 - Cylindrical Brush Head Skirt Group

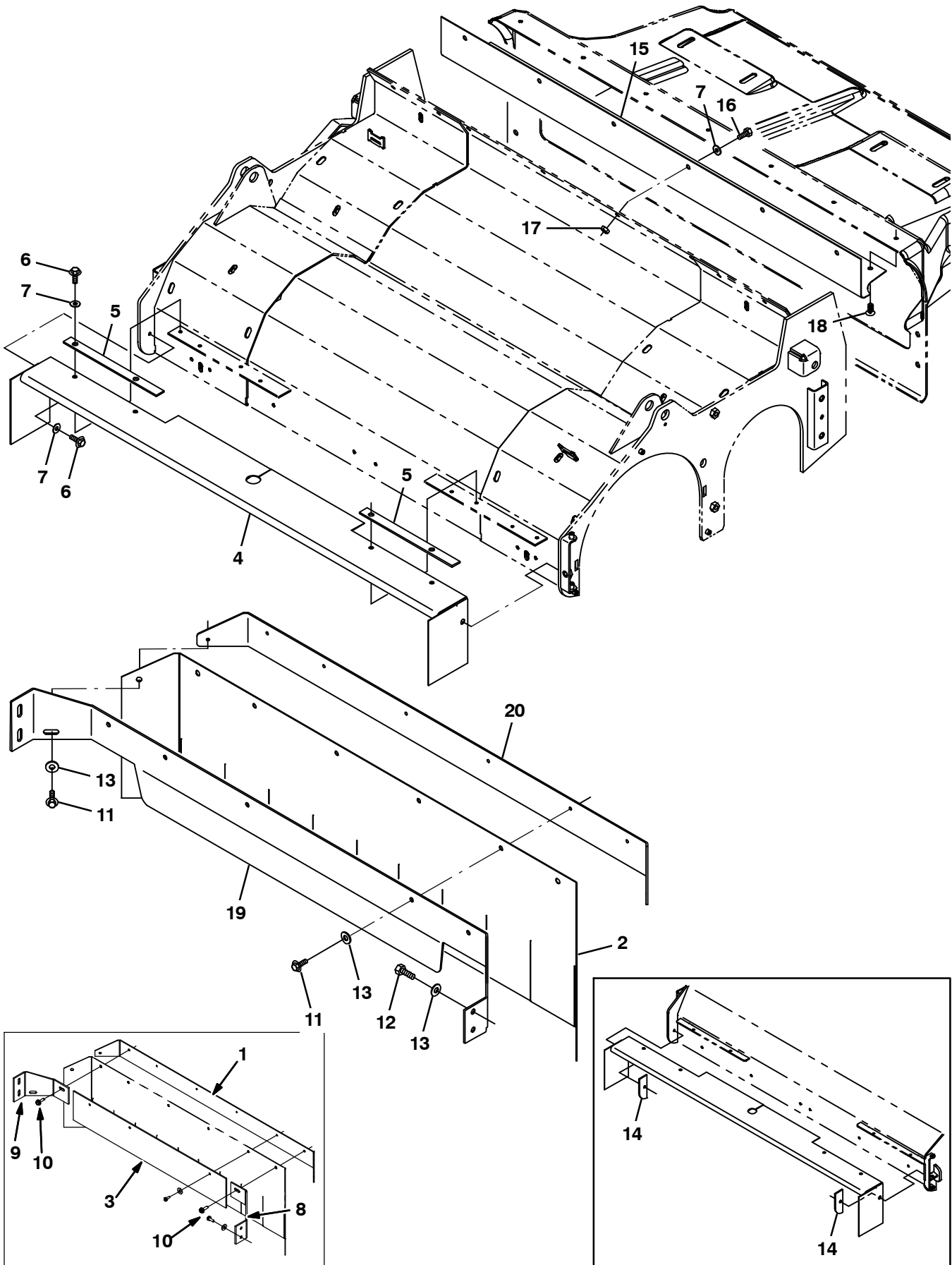


Fig. 51 – Cylindrical Brush Head Skirt Group

Ref.	Part No.	Serial Number	Description	Qty.
1	1020208	(000000-001603)	Plate, Skirt, Front	1
2	1020166	(000000-)	Skirt, Neo, .06, 12.00w 45.88l, 07 Hole	1
3	1020207	(000000-001603)	Retainer, Skirt, Front	1
4	1022363	(000000-)	Skirt, Neo, .06, 07.63w 51.52l, 11 Hole	1
5	1022003	(000000-)	Retainer, Skirt	2
6	361339	(000000-)	Screw, Hex, M6 X 1.0 X 16, Fmg	6
7	01684	(000000-)	Washer, Flat, 0.25, Ss	16
8	1024570	(000000-001603)	Bracket, Mtg, Skirt	1
9	1020163	(000000-001603)	Bracket, Mtg, Skirt	1
10	76099	(000000-001603)	Screw, Hex, M8 X 1.25 X 25, Fmg	4
11	361339	(000000-)	Screw, Hex, M6 X 1.0 X 16, Fmg	8
12	09740	(000000-)	Screw, Hex, M8 X 1.25 X 20, Ss	4
13	01685	(000000-)	Washer, Flat, 0.31, Ss	9
14	1022359	(000000-001002)	Plate, Mtg, Skirt, Scb Head (Replaced by None)	2
15	1025826	(000000-)	Angle, Deflector	1
16	08716	(000000-)	Screw, Hex, M6 X 1.0 X 20, Ss	6
17	08712	(000000-)	Nut, Hex, Lock, M6 X 1.00, Ss, NI	6
18	21168	(000000-)	Clip, .250h, Plstc [Pine-tree]	7
19	1039396	(001604-)	Bracket, Mtg, Skirt	1
20	1040018	(001604-)	Plate, Skirt, Front	1

Fig. 52 – Disk Scrub Head Drive Motor Group

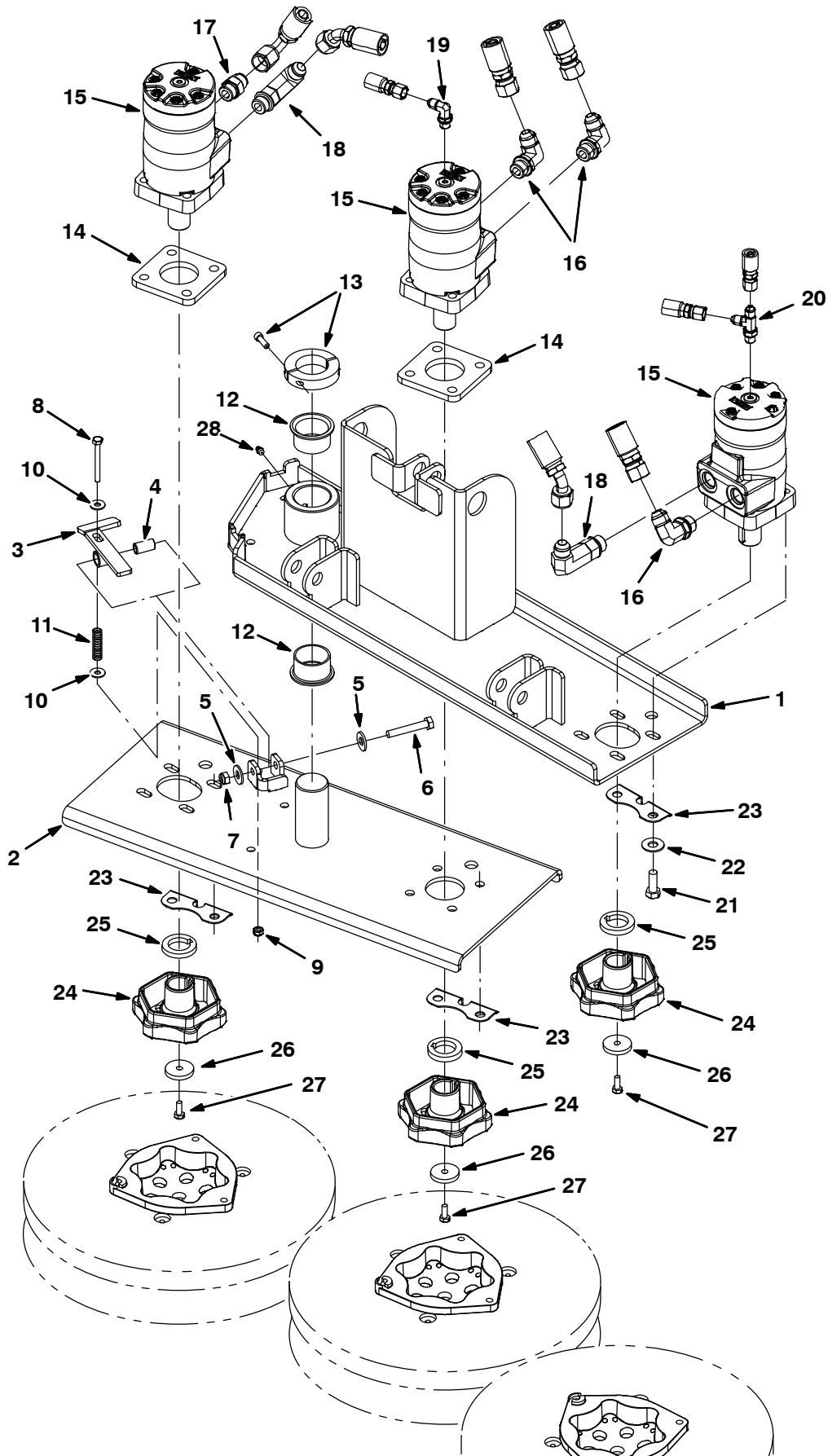


Fig. 52 – Disk Scrub Head Drive Motor Group

Ref.	Part No.	Serial Number	Description	Qty.
	1	9003247	(000000–) Head Wldt, Disk, Std, Replmt	1
	1	9003249	(000000–) Head Wldt, Disk, Replmt, Jp (Japn Only)	1
	2	1026101	(000000–) Head Wldt, Swing, Lower, 14.0	1
▽		9003061	(000000–) Latch Kit, Disk, Replmt [T20]	1
▲	3	1031286	(000000–) Latch Wldt, Head, Disk	1
▲	4	222496	(000000–) Sleeve, P/M, 0.31b 0.50d 0.9l [430ss]	1
▲	5	01685	(000000–) Washer, Flat, 0.31, Ss	2
▲	6	49694	(000000–) Screw, Hex, M8 X 1.25 X 50, Ss	1
▲	7	08713	(000000–) Nut, Hex, Lock, M8 X 1.25, NI, Ss	1
▲	8	58979	(000000–) Screw, Hex, M6 X 1.0 X 55, Ss	1
▲	9	08712	(000000–) Nut, Hex, Lock, M6 X 1.00, Ss, NI	1
▲	10	01684	(000000–) Washer, Flat, 0.25, Ss	2
▲	11	1031217	(000000–) Spring, Cmpr, 0.42od .06wir 1.50l	1
	12	54620	(000000–) Bushing, Flng, 1.50b 1.65d 1.00l	2
	13	70624	(000000–) Collar, Split, 1.50b .50w 2/Bolt	1
	14	1025968	(000000–) Spacer	2
	15	1024407	(000000–002989) Motor, Hyd, Gear, Int 09.7 Bi–Dir 2500 (See Breakdowns) (Replaced by 1068924)	3
	15	1068924	(002990–) Motor, Hyd, Gear, Int 09.7 Bi–Dir 2500	3
	16	44868	(000000–) Fitting, Hyd, E90, Jm08/Om08	3
	17	44869	(000000–) Fitting, Hyd, Str, Jm08/Om08	1
	18	69173	(000000–) Fitting, Hyd, E90, Jm08/Om08, L	2
	19	77097	(000000–) Fitting, Hyd, E90, Jm04/Om04	1
	20	34390	(000000–) Fitting, Hyd, Tee, Jm04/Jm04/Om04, Run	1
	21	21197	(000000–) Screw, Hex, .38–16 X 1.00, G5	12
	22	32492	(000000–) Washer, Flat, 0.38, Std	12
	23	1028495	(000000–) Brkt, Ftg	3
	24	1042963	(000000–) Hub, Drive, Brush, Disk, 1.00B [6T]	3
	25	25611	(000000–) Spacer, Hub, Keyed	3
	26	19191	(000000–) Spacer	3
	27	25046	(000000–) Screw, Hex, .25–20 X 1.00, G5	3
	28	07259	(000000–) Fitting, Grease. Str Pm04 .47L	1

Fig. 53 – Disk Scrub Head Lift Group

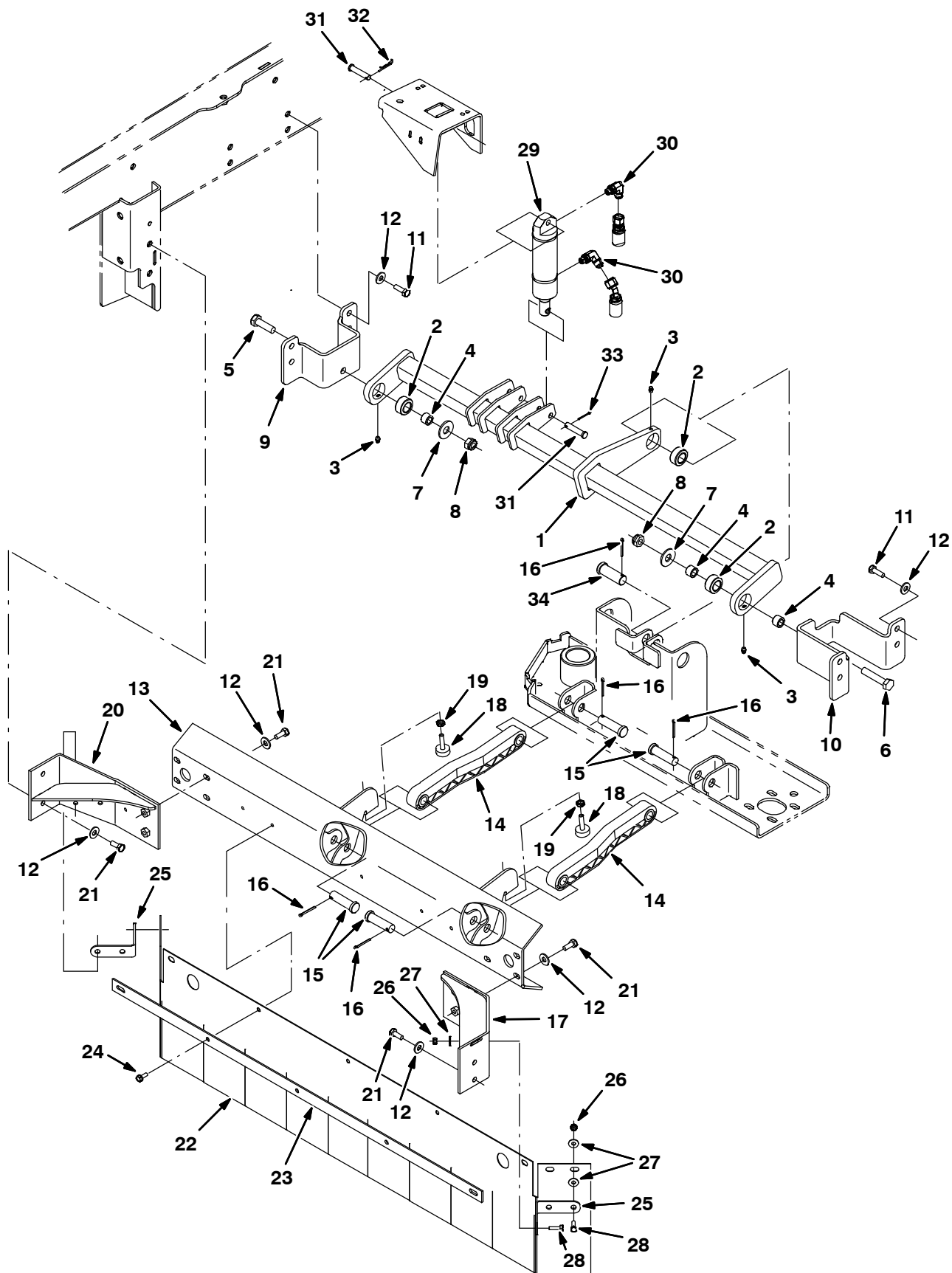


Fig. 53 – Disk Scrub Head Lift Group

Ref.	Part No.	Serial Number	Description	Qty.
1	1026130	(000000–) Tube Wldt, Torque	1
2	42120	(000000–) Bearing, Self Align, 0.75b 1.25d	3
3	07259	(000000–) Fitting, Grease, Str Pm04 .47l	3
4	1025100	(000000–) Sleeve, P/M, 0.47b 0.75d 0.5l [430ss]	3
5	06969	(000000–) Screw, Hex, M12 X 1.75 X 40, 8.8	1
6	06972	(000000–) Screw, Hex, M12 X 1.75 X 60, 8.8	1
7	41619	(000000–) Washer, Flat, 0.56b 1.38d .11, Ss	2
8	09741	(000000–) Nut, Hex, Lock, M12 X 1.75, NI, Ss	2
9	1025041	(000000–) Bracket, Mtg, Torque Tube	1
10	1030558	(000000–) Bracket, Mtg, Torque Tube	1
11	09010	(000000–) Screw, Hex, M8 X 1.25 X 25, Ss	8
12	32491	(000000–) Washer, Flat, 0.31, Std	16
13	1039469	(000000–) Bracket Wldt, Arm, Lower Cntrl	1
14	222027	(000000–) Arm, Lift, Head [5700]	2
15	222210	(000000–) Pin, Clevis, 0.62d X 2.12l	44
16	08175	(000000–) Pin, Cotter, .125 X 1.25	5
17	1025198	(000000–) Bracket Wldt, Head, Lower, Lh	1
18	1039468	(000000–) Bumper, Rbr, 1.00d 0.38th M8x1.25	2
19	07786	(000000–) Nut, Hex, Std, M8 X 1.25, Ss	2
20	1025320	(000000–) Bracket Wldt, Head, Lower, Rh	1
21	09740	(000000–) Screw, Hex, M8 X 1.25 X 20, Ss	8
22	1028433	(000000–) Skirt, Front, Disk Head	1
23	1028446	(000000–) Retainer, Skirt, Disk Head	1
24	361339	(000000–) Screw, Hex, M6 X 1.0 X 16, Fmg	5
25	1028440	(000000–) Bracket, Angle, Sppt, Shield	2
26	08712	(000000–) Nut, Hex, Lock, M6 X 1.00, Ss, NI	8
27	01684	(000000–) Washer, Flat, 0.25, Ss	12
28	08716	(000000–) Screw, Hex, M6 X 1.0 X 20, Ss	8
29	379030	(000000–) Cylinder, Hyd, 1.5b,07.8l,02.80strk,2500	1
30	77098	(000000–) Fitting, Hyd, E90, Jm06/Om04	2
31	17461	(000000–) Pin, Clevis, 0.37d X 1.75l	2
32	86866	(000000–) Pin, Cotter, Hair, 0.38d .072 Wir	1
33	08179	(000000–) Pin, Cotter, .094 X 1.00	1
34	04733–12	(000000–) Pin, Clevis, 0.75d X 2.00l	1

Fig. 54 - Rear Squeegee Lift Group

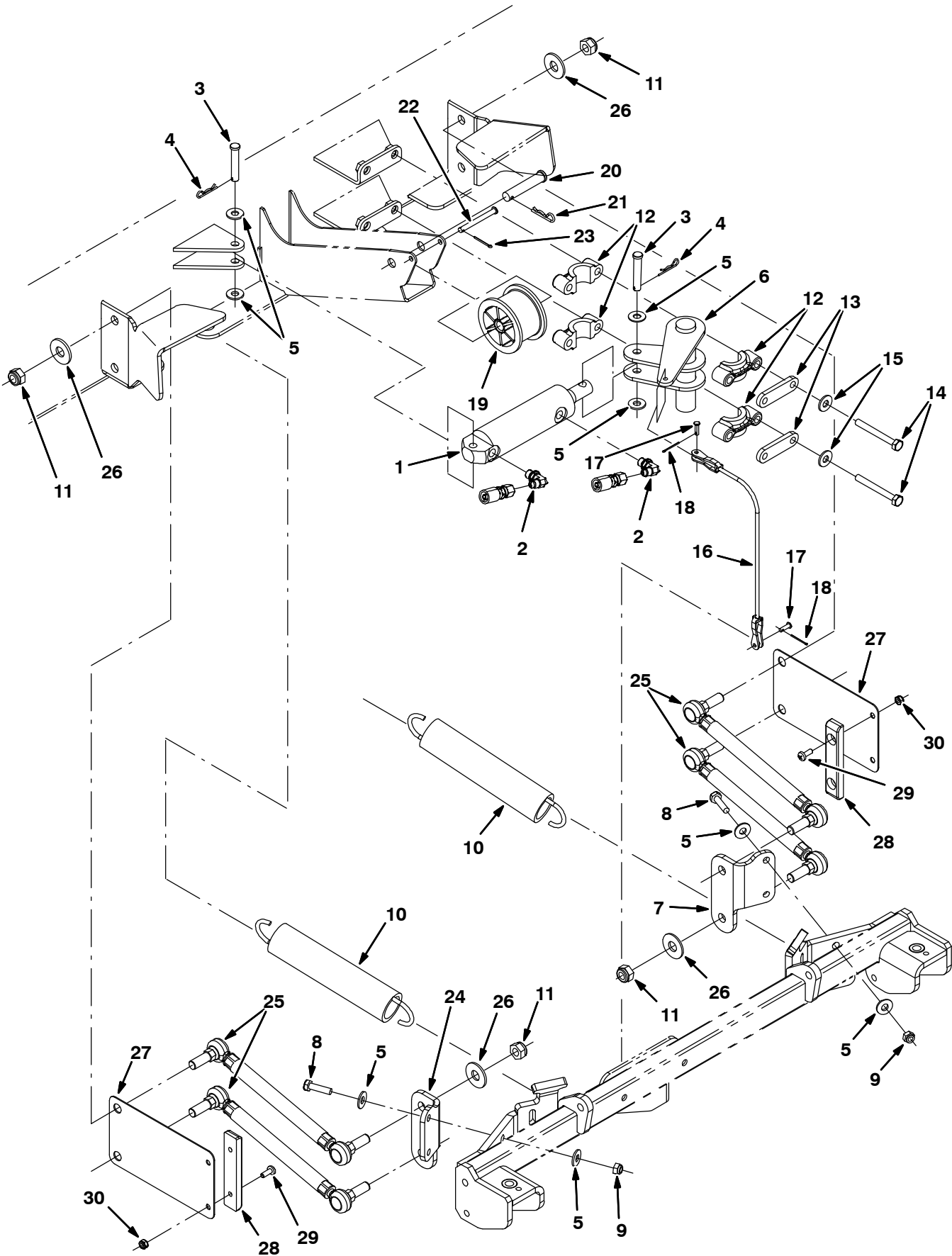


Fig. 54 – Rear Squeegee Lift Group

Ref.	Part No.	Serial Number	Description	Qty.	
1	379030	(000000–) Cylinder, Hyd, 1.5b,07.8l,02.80strk,2500	1	
2	77097	(000000–) Fitting, Hyd, E90, Jm04/Om04	2	
3	29584	(000000–) Pin, Clevis, 0.37d X 2.00l	2	
4	86866	(000000–) Pin, Cotter, Hair, 0.38d .072 Wir	2	
5	01685	(000000–) Washer, Flat, 0.31, Ss	12	
6	1022903	(000000–) Shaft Wldt, Arm, Lift	1	
7	1026804	(000000–) Angle, Protector, Lh	1	
8	09011	(000000–) Screw, Hex, M8 X 1.25 X 30, Ss	4	
9	08713	(000000–) Nut, Hex, Lock, M8 X 1.25, NI, Ss	4	
10	71100	(000000–) Spring, Extn, 1.69od X 0.20wir, 9.5l	2	
11	09741	(000000–) Nut, Hex, Lock, M12 X 1.75, NI, Ss	8	
12	381502	(000000–) Bearing, Split, 1.00b	4	
13	382224	(000000–) Plate, Sppt	2	
14	09767	(000000–) Screw, Hex, M8 X 1.25 X 70, Ss	4	
15	32491	(000000–) Washer, Flat, 0.31, Std	4	
16	71101	(000000–) Cable, Ss .12d 013.3l .2clevis /.2clevis	1	
17	77488	(000000–) Pin, Clevis, 0.19d X 0.63l	2	
18	39005	(000000–) Pin, Cotter, .094X0.75	2	
19	223054	(000000–) Drum, Cable, Lift	1	
20	06279	(000000–) Pin, Clevis, 0.50d X 2.50l	1	
21	08179	(000000–) Pin, Cotter, .094 X 1.00	1	
22	04733–10	(000000–) Pin, Clevis, 0.25d X 2.44l	1	
23	08178	(000000–) Pin, Cotter, .062 X 0.75	1	
24	1026806	(000000–) Angle, Protector, Rh	1	
25	1026007	(000000–) Link Assy, Rod–End, M12	4	
26	41619	(000000–) Washer, Flat, 0.56b 1.38d .11, Ss	8	
▽	9003060	(000000–) Spring Kit, Flat, Replmt [T20]	1	
▲	27	1028049	(000000–) Spring, Flat, .06 X 4.13 X 6.5l 4 Hole	2
▲	28	1024648	(000000–) Block, Centering	4
▲	29	367770	(000000–) Screw, Pan, M6 X 1.0 X 16, Ss	4
▲	30	08712	(000000–) Nut, Hex, Lock, M6 X 1.00, Ss, NI	4

Fig. 55 – Squeegee Group, Rear

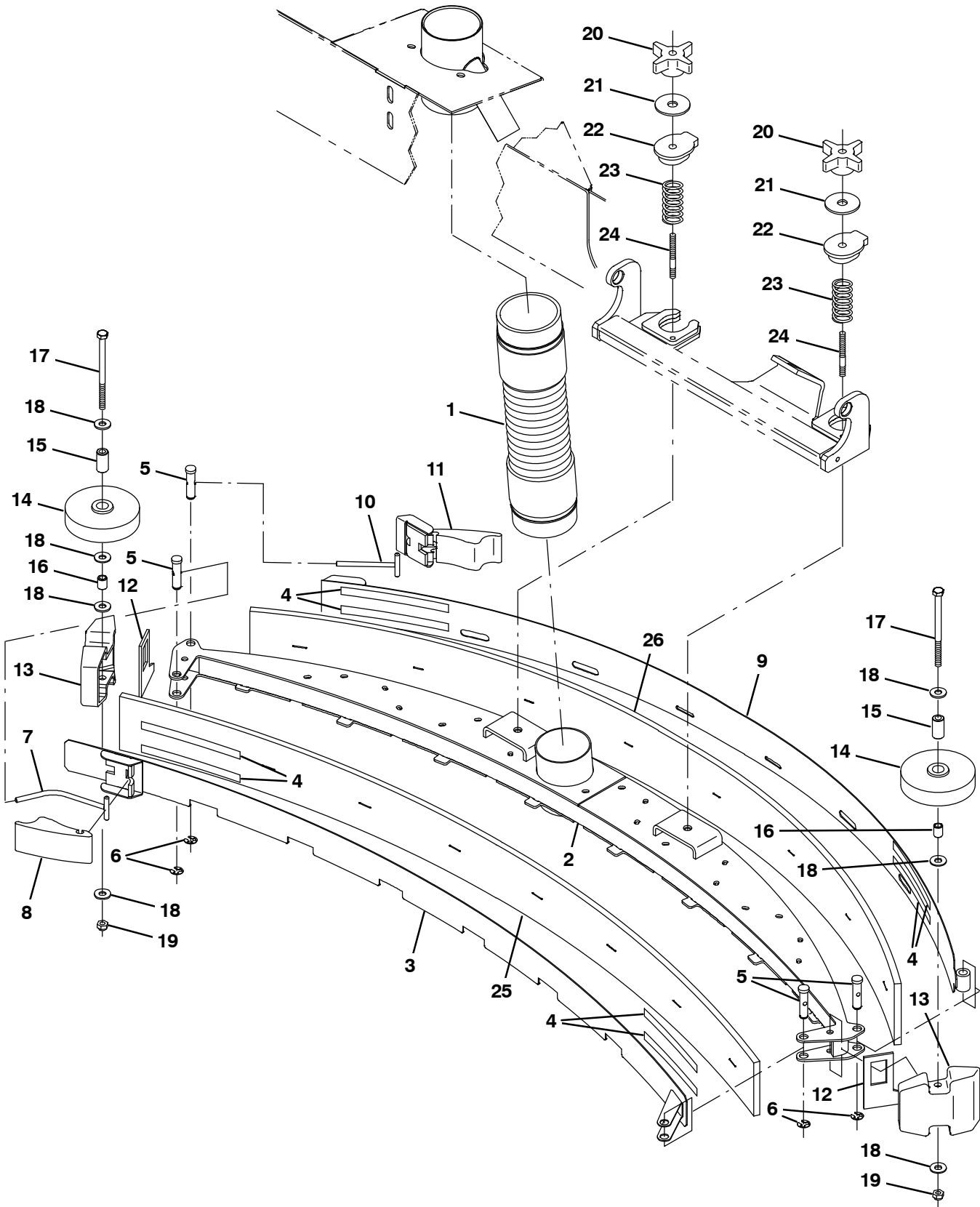


Fig. 55 – Squeegee Group, Rear

Ref.	Part No.	Serial Number	Description	Qty.
	1	1028236	(000000–) Hose Assy, W/2cuff, 3.0d 14l 3.0/3.0	1
▽	9004493	(000000–)	Squeegee Kit, Rear, Replmt [M20/T20]	1
▲	2	1022831	(000000–) Squeegee Wldt, Rear	1
▲	3	1023239	(000000–) Clamp Wldt, Front	1
▲	4	03495	(000000–) Strip, Non-Slip, 0.50w 06.0l	8
▲	5	21603	(000000–) Pin, Grvd, 0.43d 01.8l [303ss]	4
▲	6	24555	(000000–) Ring, Retaining, Ext, 0.38d, [E-Ring]	4
▲	7	386298	(000000–) Pin Wldt, Front	1
▲	8	21601	(000000–) Cam	1
▲	9	1028374	(000000–) Clamp Wldt, Rear	1
▲	10	21606	(000000–) Bar Wldt, Retainer, Sqge, Rear	1
▲	11	21602	(000000–) Cam, Rear	1
▲	12	83874	(000000–) Gasket, Sqge	2
▲	13	386264	(000000–) Bumper, Sqge	2
▲	14	363162	(000000–) Wheel, 4.0d 0.89w 0.64b	2
▲	15	363301	(000000–) Sleeve, P/M, 0.34b 0.63d 1.2l, Bnz	2
▲	16	80395	(000000–) Sleeve, P/M, 0.31b 0.50d 0.7l [430ss]	2
▲	17	364441	(000000–) Screw, Hex, M8 X 1.25 X 110, Ss	2
▲	18	01685	(000000–) Washer, Flat, 0.31, Ss	10
▲	19	08713	(000000–) Nut, Hex, Lock, M8 X 1.25, NI, Ss	2
	20	370100	(000000–) Knob, Star, 2.80d 4ear 1.1l .31–18 Pyp	2
	21	04414	(000000–) Washer, Flat, 0.53b 1.88d .12, Stl, Pl	2
	22	387433	(000000–) Ring, Mtg, Sqge, .50l	2
	23	387500	(000000–) Spring, Cmpr, 0.9od .042wir 02.0l	2
	24	387237	(000000–) Stud, .31–18 2.75l M8 X 1.25, Ss	2
	25	1027719	(000000–) Blade, Sqge, Front, 49.58l Ure (Option)	1
	25	1017868	(000000–) Blade, Sqge, Front, 49.58l [Linard]	1
	26	1031945	(000000–) Blade, Sqge, Rear, 53.78l Ure (Option)	1
	26	1031331	(000000–) Blade, Sqge, Rear, Linatex	1

Fig. 56 – Cylindrical Scrub Head Debris Tray Mount Group

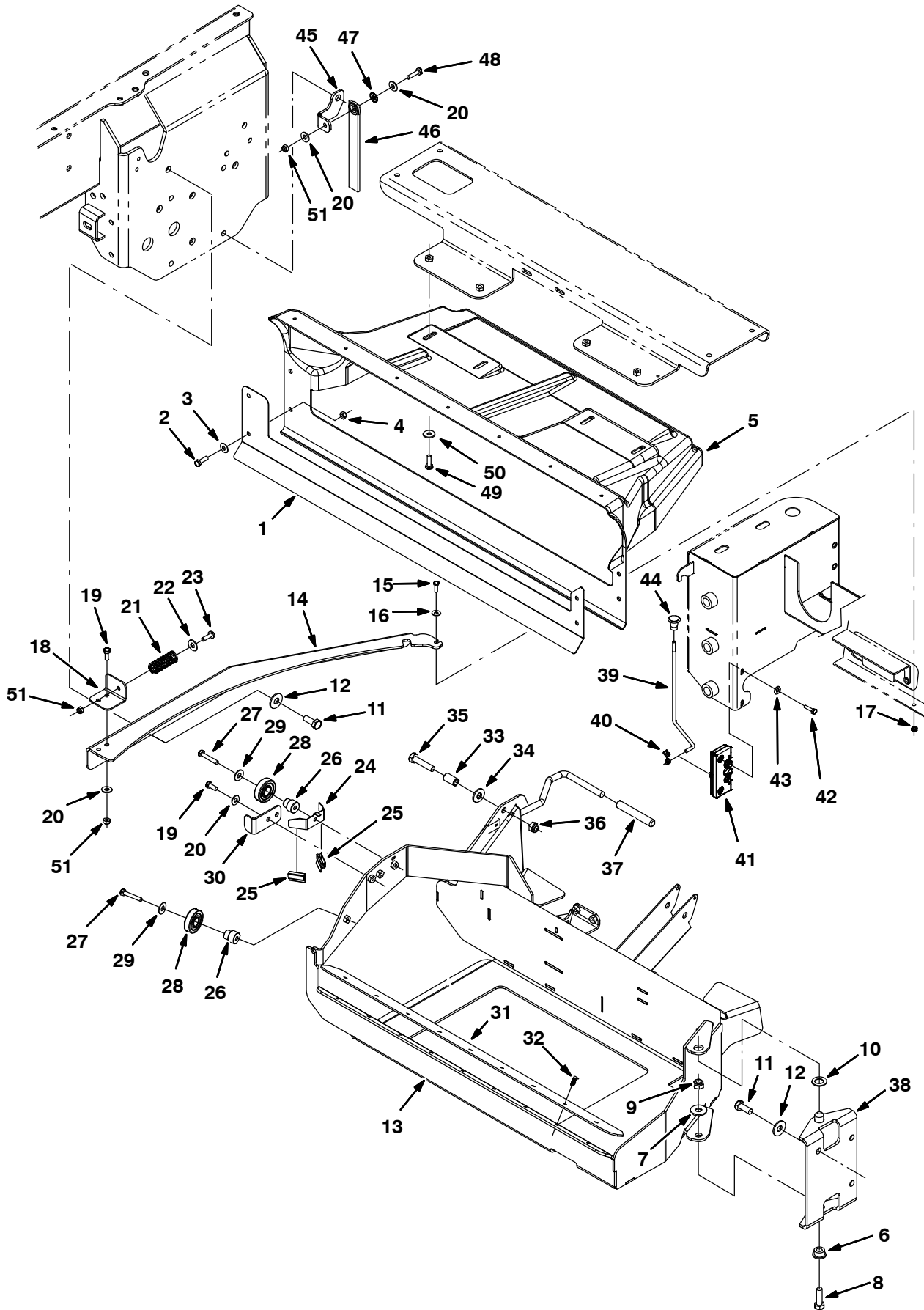


Fig. 56 – Cylindrical Scrub Head Debris Tray Mount Group

Ref.	Part No.	Serial Number	Description	Qty.
▽	9003059	(000000–) Shield Kit, Debris, Replmt [T20]	1
▲	1 1028334	(000000–) Bracket, Sppt, Shield	1
▲	2 09010	(000000–) Screw, Hex, M8 X 1.25 X 25, Ss	4
▲	3 1017218	(000000–) Washer, Flat, 0.32b 1.00d .12, Ss	4
▲	4 08713	(000000–) Nut, Hex, Lock, M8 X 1.25, NI, Ss	4
▲	5 1024658	(000000–) Shield, Tray, Debris [Trimmed]	1
	6 391804	(000000–) Sleeve, Flng, 0.48b 1.25/0.88d 0.6l, Stl	1
	7 32493	(000000–) Washer, Flat, 0.50, Std	1
	8 09029	(000000–) Screw, Hex, M12 X 1.75 X 40, Ss	1
	9 09741	(000000–) Nut, Hex, Lock, M12 X 1.75, NI, Ss	1
	10 53782	(000000–) Bearing, Thrust, 0.75b 1.25d 0.06w	1
	11 12309	(000000–) Screw, Hex, M12 X 1.75 X 30, Ss	6
	12 32493	(000000–) Washer, Flat, 0.50, Std	6
	13 1023334	(000000–) Frame Wldt, Hppr	1
	14 1022683	(000000–) Guide, Rlr	1
	15 08716	(000000–) Screw, Hex, M6 X 1.0 X 20, Ss	1
	16 01684	(000000–) Washer, Flat, 0.25, Ss	1
	17 08712	(000000–) Nut, Hex, Lock, M6 X 1.00, Ss, NI	1
	18 1027108	(000000–) Bracket, Spring	1
	19 09740	(000000–) Screw, Hex, M8 X 1.25 X 20, Ss	4
	20 01685	(000000–) Washer, Flat, 0.31, Ss	6
	21 45261	(000000–) Spring, Cmpr, 0.97od .11wir 2.5l	1
	22 01686	(000000–) Washer, Flat, 0.44b 1.00d .08, Ss	1
	23 367771	(000000–) Screw, Pan, M8 X 1.25 X 25, Ss	1
	24 1027147	(000000–) Clip, Wiper	1
	25 1031351	(000000–) Seal, Wiper	2
	26 1023685	(000000–) Spacer, Rlr	2
	27 222505	(000000–) Screw, Hex, M8 X 1.25 X 45, Ss	2
	28 760740	(000000–) Bearing, Rlr, Cam 52 X 14 X 20	2
	29 1017218	(000000–) Washer, Flat, 0.32b 1.00d .12, Ss	2
	30 1027143	(000000–) Bracket, Angle, Stop	1
▽	31 9003058	(000000–) Lip Kit, Debris, Replmt [T20]	1
▲	32 21168	(000000–) Clip, .250h, Plstc [Pine-Tree]	9
	33 1039348	(000000–) Sleeve, 0.49b 0.68d 1.2l [304ss]	1
	34 36328	(000000–) Washer, Flat, Belleville, .50	1
	35 379870	(000000–) Screw, Hex, M12 X 1.75 X 55, Ss	1
	36 09741	(000000–) Nut, Hex, Lock, M12 X 1.75, NI, Ss	1
	37 1028249	(000000–) Grip, Handle, .50d 4.0l Yel	1
	38 1022668	(000000–) Bracket Wldt, Pivot	1
	39 1023917	(000000–) Rod, Latch	1
	40 1031305	(000000–) Clip, Retainer, .25d	1
	41 21623	(000000–) Latch	1
	42 09007	(000000–) Screw, Hex, M6 X 1.0 X 25, Ss	2
	43 41185	(000000–) Washer, Flat, Belleville, .25	2
	44 1032546	(000000–) Knob, Rnd, 1.04d 1.18l .25–20 Yel Plstc	1
	45 1031152	(000000–) Bracket, Mtg, Static Strap	1
	46 71579	(000000–) Strap, Static, .19 1.1w 25.0l W/ Grommet	1
	47 41141	(000000–) Washer, Lock, Int–Ext, 0.31	1
	48 09011	(000000–) Screw, Hex, M8 X 1.25 X 30, Ss	1
	49 09010	(000000–) Screw, Hex, M8 X 1.25 X 25, Ss	4
	50 1017218	(000000–) Washer, Flat, 0.32b 1.00d .12, Ss	4
	51 08713	(000000–) Nut, Hex, Lock, M8 X 1.25, NI, Ss	4

Fig. 57 - Cylindrical Scrub Head Debris Tray Group

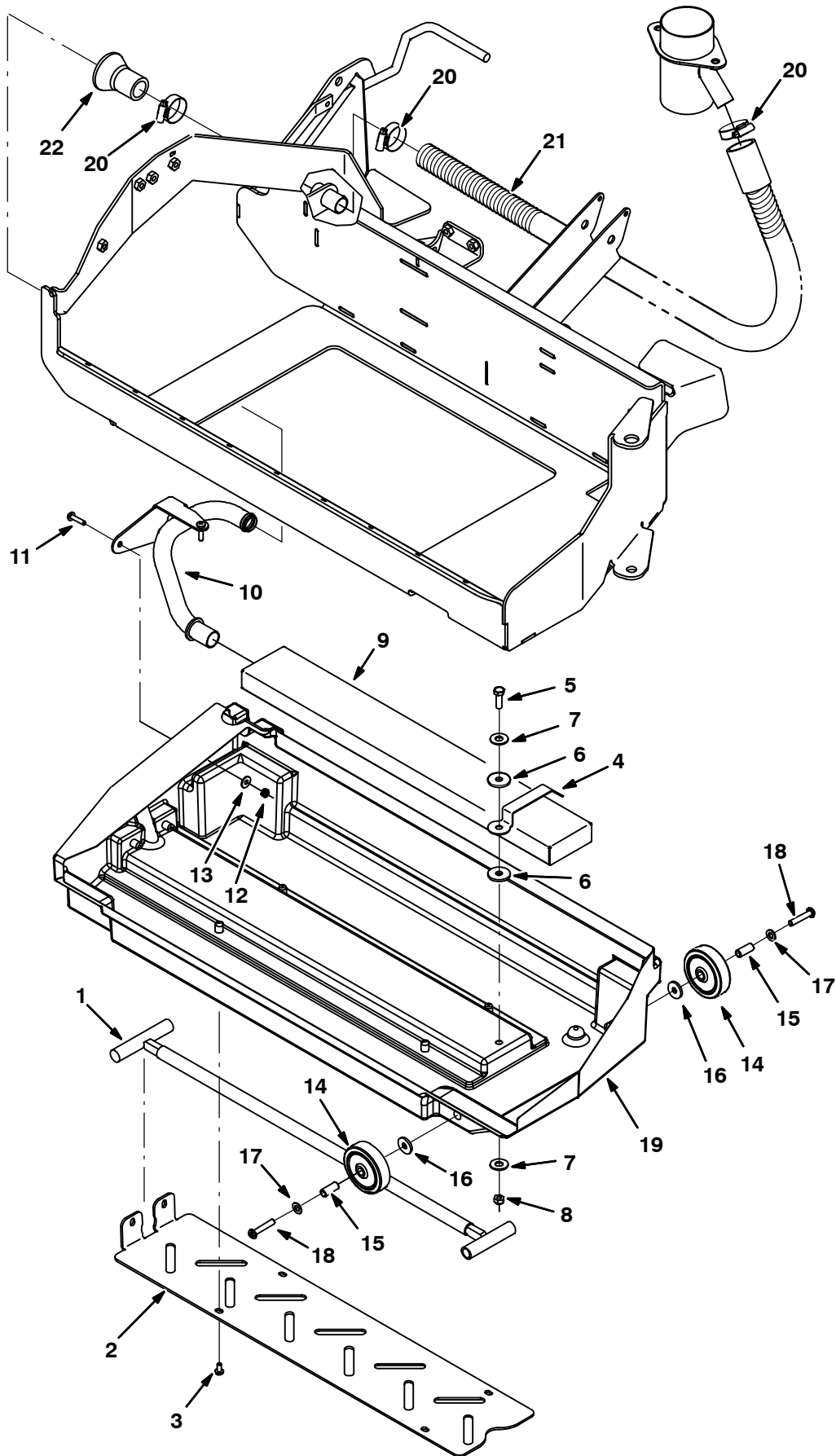


Fig. 57 – Cylindrical Scrub Head Debris Tray Group

Ref.	Part No.	Serial Number	Description	Qty.
▽	9003055	(000000–) Tray Kit, Debris, Replmt [T20]	1
▲	1 1026417	(000000–) Handle Wldt, T, Hppr	1
▲	2 1026195	(000000–) Panel, Access, Debris Tray	1
▲	3 74027	(000000–) Screw, Pan, M6 X 1.0 X 12, Ss, NI	6
▲	4 1026900	(000000–) Spring, Flat, Retainer, Screen	1
▲	5 09010	(000000–) Screw, Hex, M8 X 1.25 X 25, Ss	1
▲	6 222268	(000000–) Washer, Flat, 0.38b 1.25d .12, Neo	2
▲	7 01686	(000000–) Washer, Flat, 0.44b 1.00d .08, Ss	2
▲	8 08713	(000000–) Nut, Hex, Lock, M8 X 1.25, NI, Ss	1
▲	9 1024309	(000000–) Strainer Wldt, Trough, Debris 4.3w 15.L	1
▲	10 1026831	(000000–) Tube Wldt, Vacuum	1
▲	11 1019526	(000000–) Screw, Pan, M6 X 1.0 X 25, Ss	3
▲	12 08712	(000000–) Nut, Hex, Lock, M6 X 1.00, Ss, NI	3
▲	13 01684	(000000–) Washer, Flat, 0.25, Ss	3
▲	14 81582	(000000–) Wheel, 3.0d 0.87w 0.44b, Rbr, Pp Core	2
▲	15 393129	(000000–) Sleeve, P/M, 0.31B 0.44D 1.2L [430Ss]	2
▲	16 1017218	(000000–) Washer, Flat, 0.32b 1.00d .12, Ss	2
▲	17 39349	(000000–) Washer, Flat, 0.31, Sae	2
▲	18 397826	(000000–) Screw, Btn, M8 X 1.25 X 40, Ss	2
▲	19 1024450	(000000–) Tray, Debris, Trimmed	1
	20 11399	(000000–) Clamp, Hose, Wormdrive, 0.81–1.50d, .50w	3
	21 1040098	(000000–) Hose Assy, W/1cuff, 1.0d, 030l 1.25/	1
	22 1023063	(000000–) Coupling, Tube, Vacuum	1

Fig. 58 - Squeegee Linkage Group, Rear

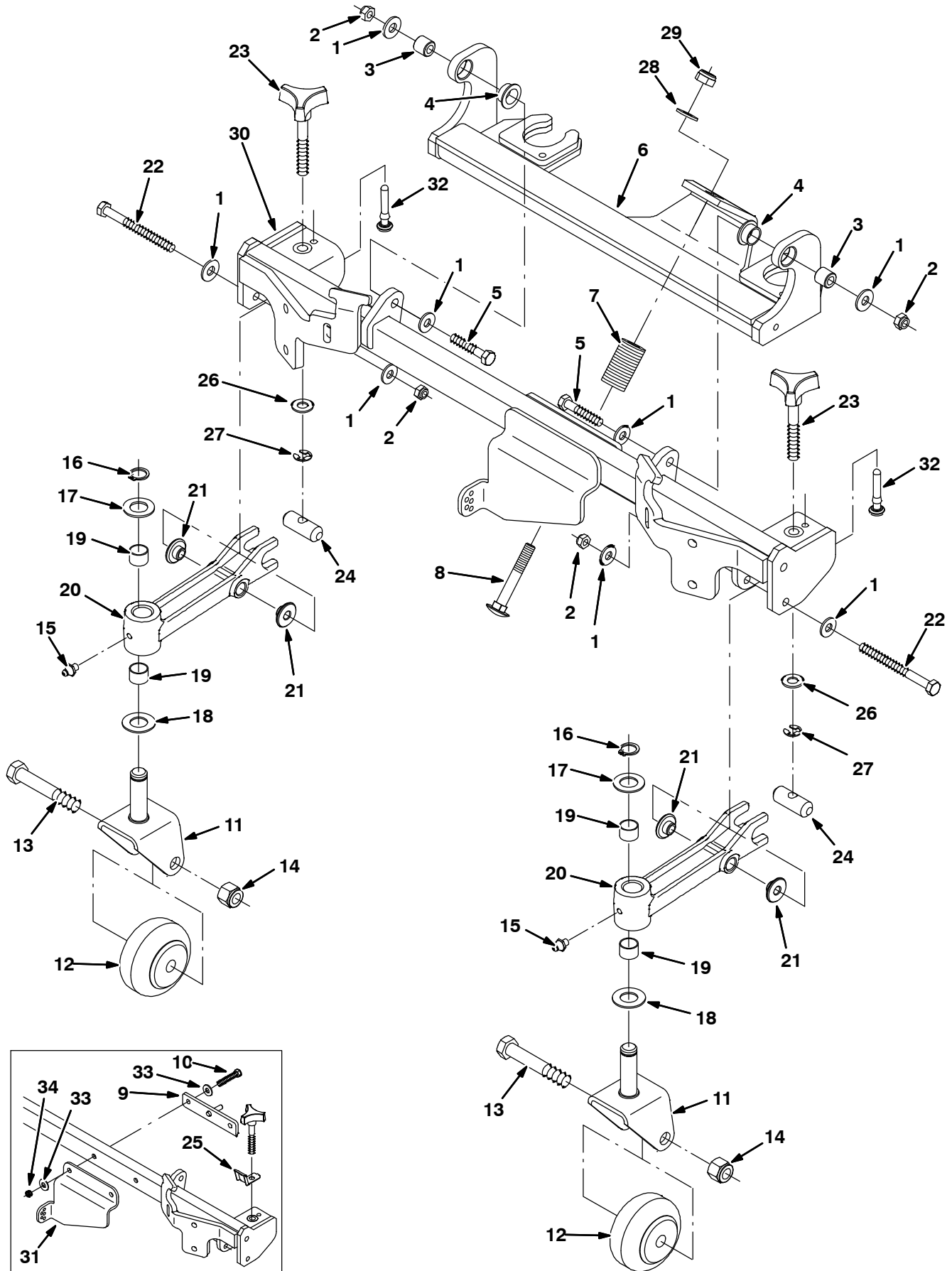


Fig. 58 – Squeegee Linkage Group, Rear

Ref.	Part No.	Serial Number	Description	Qty.
1	01685	(000000–)	Washer, Flat, 0.31, Ss	6
2	08713	(000000–)	Nut, Hex, Lock, M8 X 1.25, NI, Ss	4
3	80409	(000000–)	Sleeve, P/M, 0.34b 0.63d 0.6l, Bnz	2
4	25735	(000000–)	Bushing, Fling, 0.63b 0.75d 0.38l	2
5	222505	(000000–)	Screw, Hex, M8 X 1.25 X 45, Ss	2
6	1023476	(000000–)	Bracket Wldt, Mtg, Sqge	1
7	65180	(000000–)	Spring, Dsl, 1.00od 0.50id 1.7l	1
8	1025601	(000000–)	Bolt, Carriage, M10 X 1.5 X 70	1
9	1034147	(000000–001524)	Pin Wldt, Lift (Replaced By 9003478)	1
10	222505	(000000–001524)	Screw, Hex, M8 X 1.25 X 45, Ss	2
11	1021404	(000000–)	Bracket Wldt, Mtg, Caster	2
12	20833	(000000–)	Wheel, 3.0d 1.38w 0.50b	2
13	81952	(000000–)	Screw, Hex, .50–13 X 3.00, Ss18–8	2
14	02931	(000000–)	Nut, Hex, Lock, .50–13, NI, Ss	2
15	07259	(000000–)	Fitting, Grease, Str Pm04 .47l	2
16	33373	(000000–)	Ring, Retaining, Ext, 0.62d, Hd	2
17	63468	(000000–)	Washer, Flat, 0.69b 1.19d .06, Stl, Pl	2
18	64425	(000000–)	Washer, Thrust, 0.61b 1.25d .06, Fgl	2
19	07449	(000000–)	Bushing, Sleeve, 0.62b 0.72d 0.50l, Fgl	4
20	1025460	(000000–)	Caster, Pivot	2
21	80950	(000000–)	Bushing, Fling, 0.32b 0.50d 0.24l, Bnz	4
22	39281	(000000–)	Screw, Hex, M8 X 1.25 X 90, 8.8	2
23	1021546	(000000–)	Knob Assy, Star, 1.12d 3ear M10	2
24	1021497	(000000–)	Pin, 0.63d 01.8l, 1/M10h, 2cham	2
25	1022545	(000000–001508)	Spring, Keeper	2
26	32485	(000000–)	Washer, Flat, 0.38 Sae	2
27	24555	(000000–)	Ring, Retaining, Ext, 0.38d, [E–Ring]	2
28	32492	(000000–)	Washer, Flat, 0.38 Std	1
29	08714	(000000–)	Nut, Hex, Lock, M10 X 1.5, NI, Ss	1
30	1034282	(000000–)	Crossmember Wldt, Lift	1
31	1025178	(000000–001524)	Bracket, Lift, Sqge	1
32	1035727	(001509–)	Stop, Rotation	1
33	01685	(000000–001524)	Washer, Flat, 0.38b 0.88d .08, Ss	4
34	08713	(000000–001524)	Nut, Hex, Lock, M8 X 1.25, NI, Ss	2

Fig. 59 – Cylindrical Scrub Head Squeegee Group, Right Side

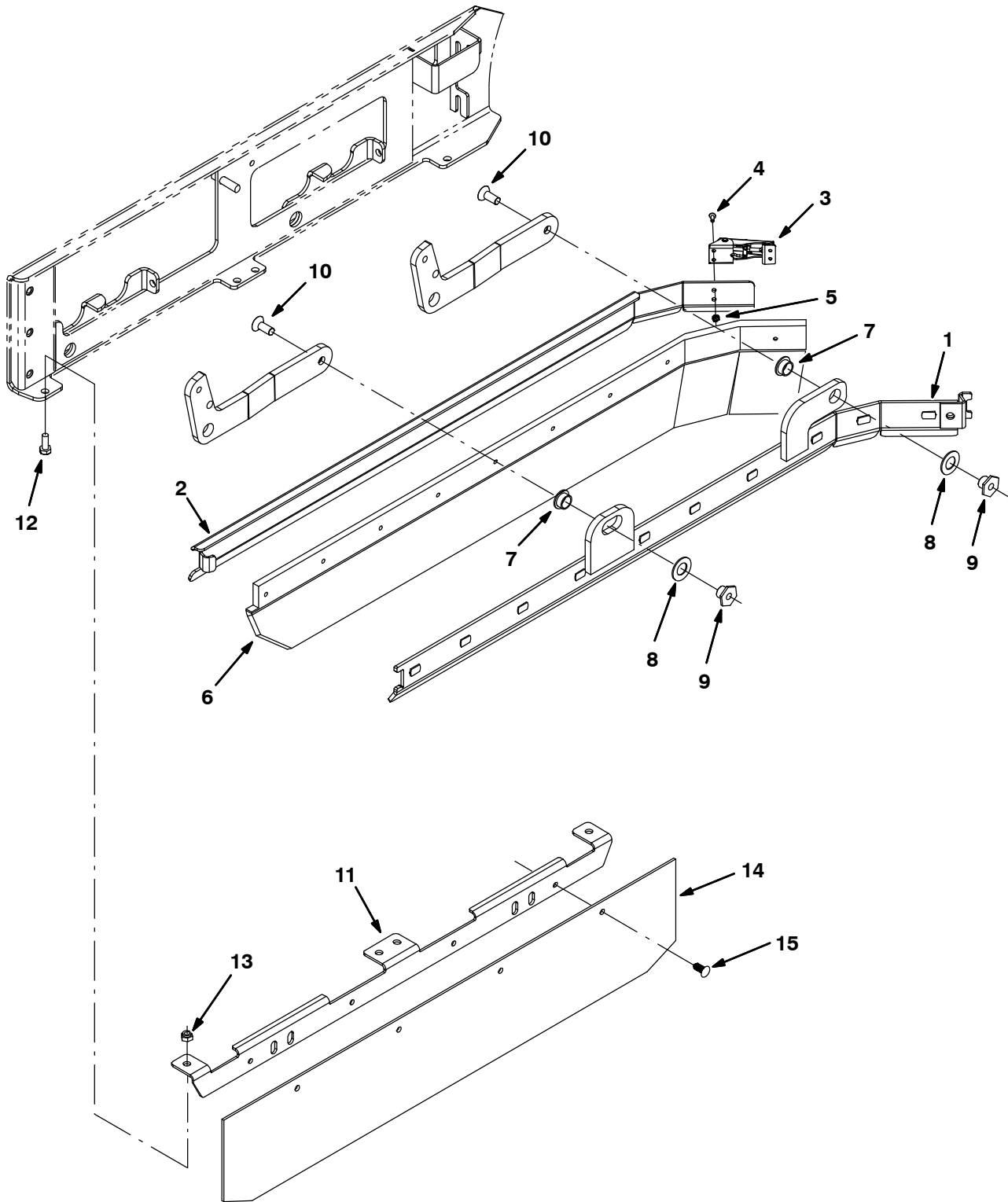


Fig. 59 - Cylindrical Scrub Head Squeegee Group, Right Side

Ref.	Part No.	Serial Number	Description	Qty.	
1	1029132	(000000-) Frame Wldt, Sqge, Rh	1	
2	1029128	(000000-) Retainer, Sqge, Side, Rh	1	
3	384418	(000000-) Latch, Door [Southco 91-562-07]	1	
4	49697	(000000-) Screw, Pan, M4 X 0.7 X 10, Ss	2	
5	33932	(000000-) Nut, Hex, Lock, M4 X 0.7, NI, Ss	2	
6	1031011	(000000-) Blade, Sqge, .38 3.55w 038.3l, Linatex	1	
6	1031823	(000000-) Blade, Sqge, .38 3.55w 038.3l, Ure (Option)	1	
7	25735	(000000-) Bushing, Flng, 0.63b 0.75d 0.38l	2	
8	64425	(000000-) Washer, Thrust, 0.61b 1.25d .06, Fgl	2	
9	1022846	(000000-) Nut, T, M10 X 1.50 X 15.8od X 13.0l	2	
10	09081	(000000-) Screw, Flt, M10 X 1.5 X 25, 10.9	2	
11	1025151	(000000-) Bracket, Mtg, Skirt, Door, Brush	1	
12	393135	(000000-) Screw, Btn, M8 X 1.25 X 20, Blk	4	
13	08713	(000000-) Nut, Hex, Lock, M8 X 1.25, NI, Ss	4	
▽	14	9003057	(000000-) Shield Kit, Side, Replmt [T20]	1
▲	15	21168	(000000-) Clip, .250h, Plstc [Pine-Tree]	4

Fig. 60 – Squeegee Lift Group, Right Side

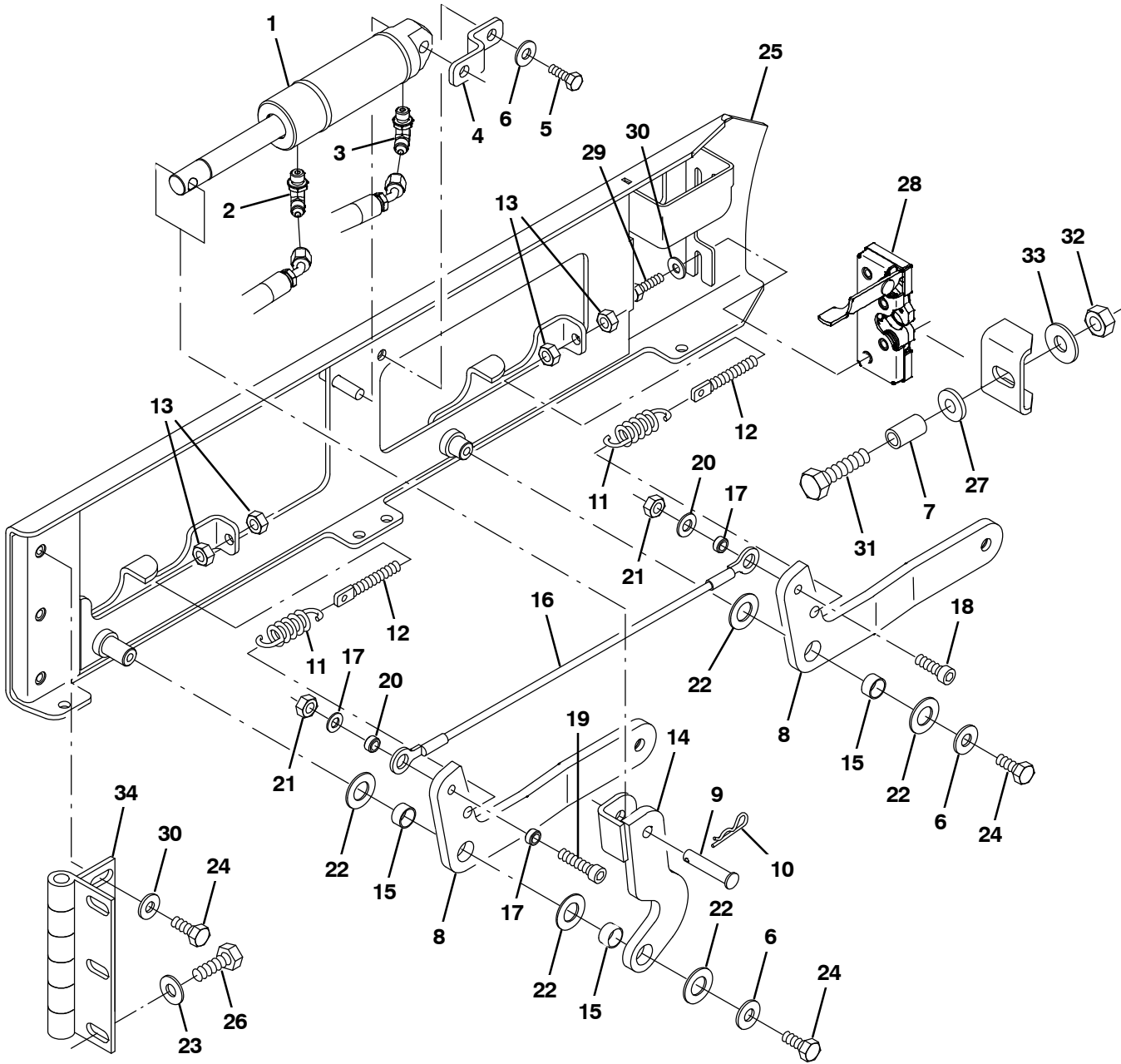


Fig. 60 – Squeegee Lift Group, Right Side

Ref.	Part No.	Serial Number	Description	Qty.
1	1038137	(000000–) Cylinder, Hyd, 1.5b 07.8l 02.80strk 2500	1
2	77097	(000000–) Fitting, Hyd, E90, Jm04/Om04	1
3	1028635	(000000–) Fitting, Hyd, Rst, Spcl	1
4	1022825	(000000–) Bracket, Mtg, Cyl	1
5	08716	(000000–) Screw, Hex, M6 X 1.00 X 20, Ss	1
6	01685	(000000–) Washer, Flat, 0.31, Ss	3
7	1039348	(000000–) Sleeve, 0.49b 0.68d 1.2l [304ss]	1
8	1020548	(000000–) Arm, Sqge, Side, Rh	2
9	17461	(000000–) Pin, Clevis, 0.37D X 1.75L	1
10	08182	(000000–) Pin, Cotter, .125 X 1.00	1
11	87816	(000000–) Spring, Extn, 0.75od X 0.09wir, 2.5l	2
12	386088	(000000–) Bolt, Eye, M08 X 1.25 X 070mm, 05.50 Eye	2
13	07786	(000000–) Nut, Hex, Std, M8 X 1.25, Ss	4
14	1023306	(000000–) Arm Wldt, Sqge, Lift, Rh	1
15	71607	(000000–) Bushing, Sleeve, 0.63b 0.72d 0.38l	3
16	81784	(000000–) Cable, Glv .13d 015.8l .50eye /.50eye	1
17	360801	(000000–) Sleeve, 0.31b 0.50d 0.3l, Ss	3
18	39308	(000000–) Screw, Soc, M8 X 1.25 X 25, 12.9	1
19	41445	(000000–) Screw, Soc, M8 X 1.25 X 35, 12.9	1
20	39349	(000000–) Washer, Flat, 0.31 Sae	2
21	08709	(000000–) Nut, Hex, Lock, M8 X 1.25, NI	2
22	64425	(000000–) Washer, Thrust, 0.61b 1.25d .06, Fgl	5
23	41187	(000000–) Washer, Flat, Belleville, .38	3
24	09740	(000000–) Screw, Hex, M8 X 1.25 X 20, Ss	5
25	1019031	(000000–) Door Wldt, Brush, Rh	1
26	09028	(000000–) Screw, Hex, M10 X 1.5 X 25, Ss	3
27	36328	(000000–) Washer, Flat, Belleville, .50	1
28	59194	(000000–) Latch, Hook	1
29	09007	(000000–) Screw, Hex, M6 X 1.0 X 25, Ss	2
30	41185	(000000–) Washer, Flat, Belleville, .25	5
31	379870	(000000–) Screw, Hex, M12 X 1.75 X 55, Ss	1
32	07788	(000000–) Nut, Hex, Std, M12 X 1.75, Ss	1
33	41619	(000000–) Washer, Flat, 0.56b 1.38d .11, Ss	1
34	1024576	(000000–) Hinge, .50pin .19 4.0w 06.0l 3/0.44sl	1

Fig. 61 – Cylindrical Scrub Head Squeegee Group, Left Side

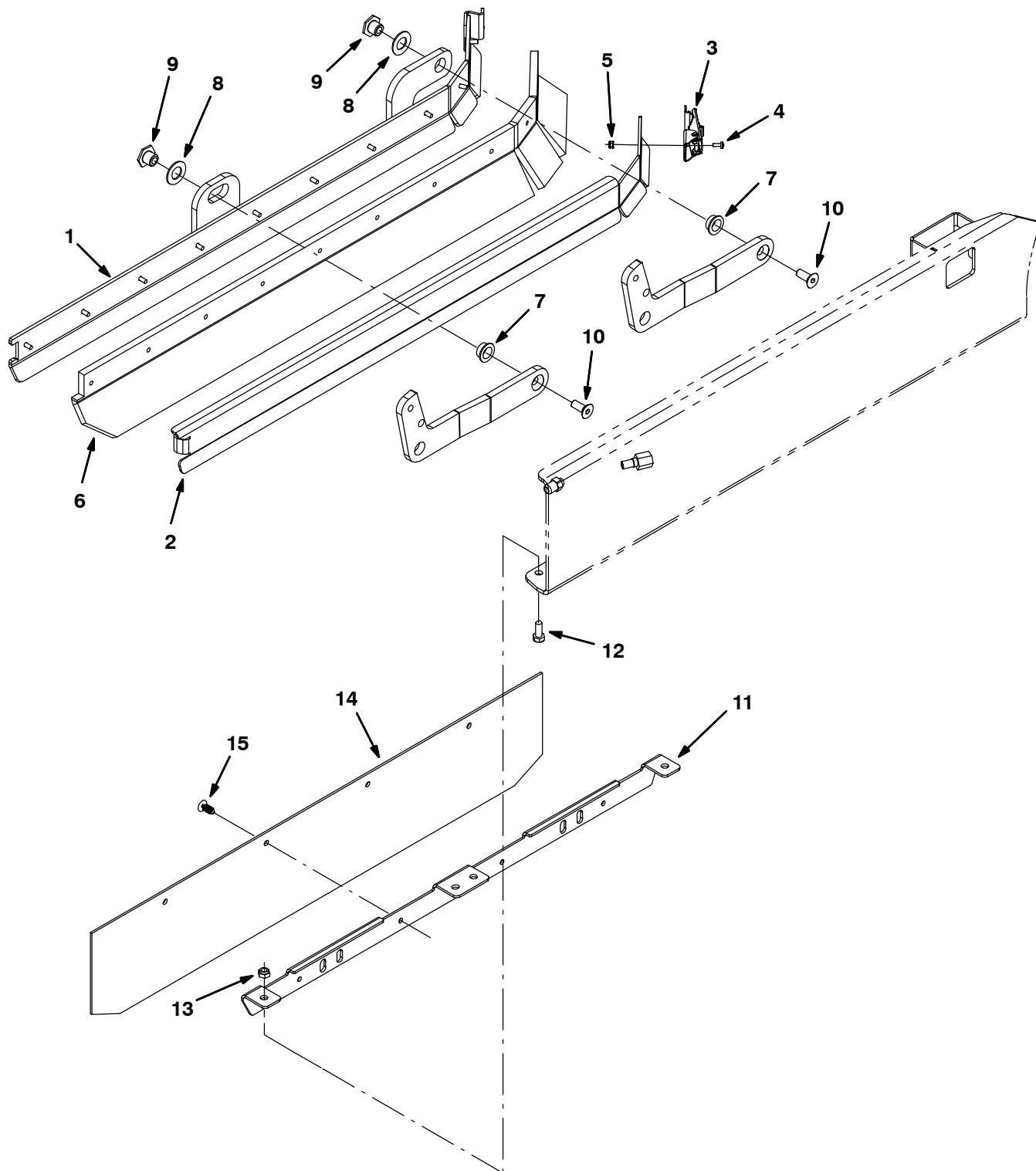


Fig. 61 - Cylindrical Scrub Head Squeegee Group, Left Side

Ref.	Part No.	Serial Number	Description	Qty.	
1	1028972	(000000-) Frame Wldt, Sqge, Lh	1	
2	1028979	(000000-) Retainer, Sqge, Side, Lh	1	
3	384418	(000000-) Latch, Door [Southco 91- 562- 07]	1	
4	49697	(000000-) Screw, Pan, M4 X 0.7 X 10, Ss	2	
5	33932	(000000-) Nut, Hex, Lock, M4 X 0.7, NI, Ss	2	
6	1031011	(000000-) Blade, Sqge, 37.08l Linatex	1	
6	1031823	(000000-) Blade, Sqge, .38 3.55w 038.3l, Ure (Option)	1	
7	25735	(000000-) Bushing, Flng, 0.63b 0.75d 0.38l	2	
8	64425	(000000-) Washer, Thrust, 0.61b 1.25d .06, Fgl	2	
9	1022846	(000000-) Nut, T, M10 X 1.50 X 15.8od X 13.0l	2	
10	09081	(000000-) Screw, Flt, M10 X 1.5 X 25, 10.9	2	
11	1025151	(000000-) Bracket, Mtg, Skirt, Door, Brush	1	
12	393135	(000000-) Screw, Btn, M8 X 1.25 X 20, Blk	4	
13	08713	(000000-) Nut, Hex, Lock, M8 X 1.25, NI, Ss	4	
▽	14	9003057	(000000-) Shield Kit, Side, Replmt [T20]	1
▲	15	21168	(000000-) Clip, .250h, Plstc [Pine- Tree]	4

Fig. 62 – Squeegee Lift Group, Left Side

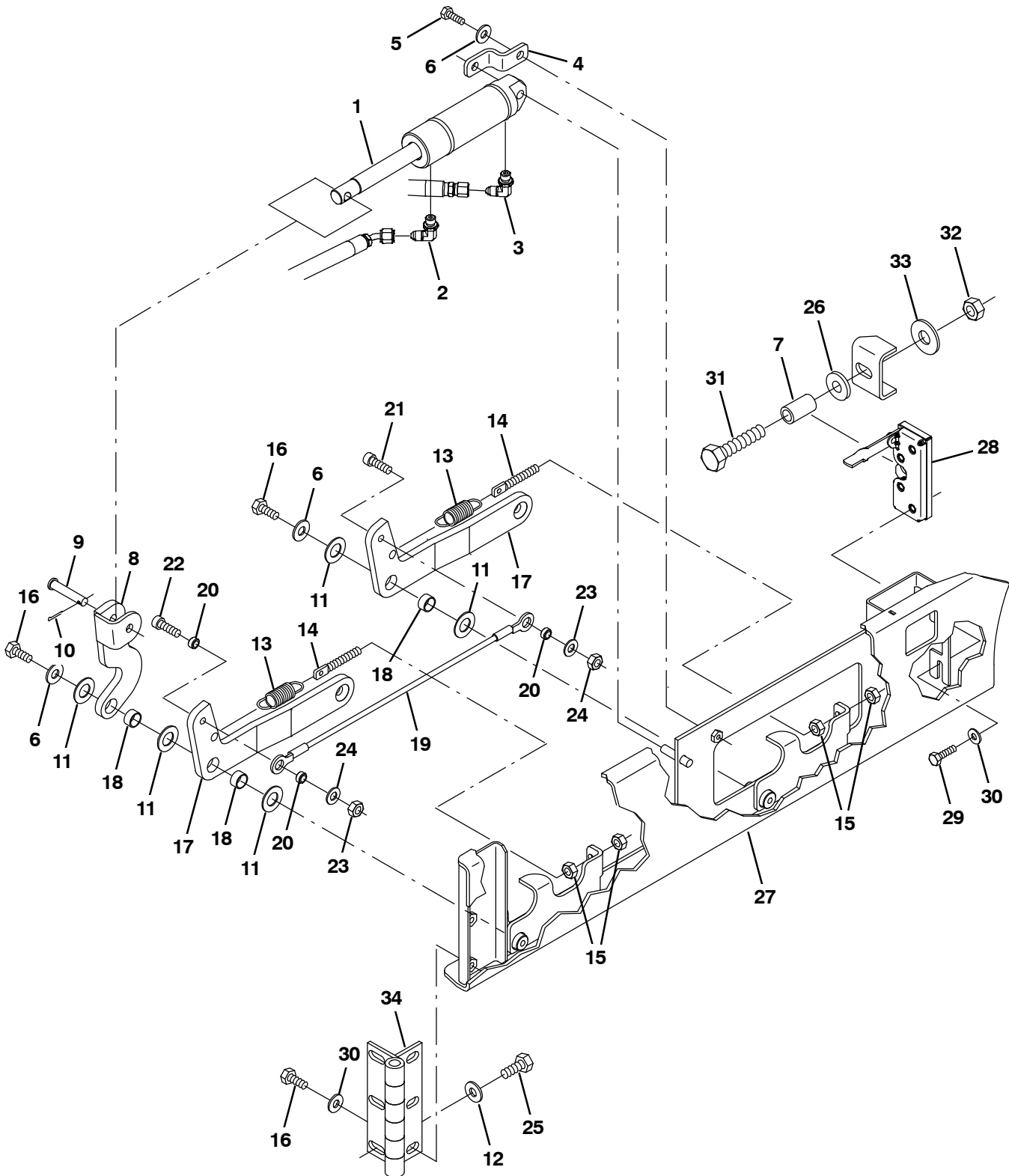


Fig. 62 – Squeegee Lift Group, Left Side

Ref.	Part No.	Serial Number	Description	Qty.
1	1038137	(000000–) Cylinder, Hyd, 1.5b 07.8l 02.80strk 2500	1
2	77097	(000000–) Fitting, Hyd, E90, Jm04/Om04	1
3	1028635	(000000–) Fitting, Hyd, Rst, Spcl	1
4	1022825	(000000–) Bracket, Mtg, Cyl	1
5	08716	(000000–) Screw, Hex, M6 X 1.00 X 20, Ss	1
6	01685	(000000–) Washer, Flat, 0.31, Ss	3
7	1039348	(000000–) Sleeve, 0.49b 0.68d 1.2l [304ss]	1
8	1022978	(000000–) Arm Wldt, Lift, Sqge, Lh	1
9	17461	(000000–) Pin, Clevis, 0.37D X 1.75L	1
10	08182	(000000–) Pin, Cotter, .125 X 1.00	1
11	64425	(000000–) Washer, Thrust, 0.61b 1.25d .06, Fgl	5
12	41187	(000000–) Washer, Flat, Belleville, .38	3
13	87816	(000000–) Spring, Extn, 0.75od X 0.09wir, 2.5l	2
14	386088	(000000–) Bolt, Eye, M08 X 1.25 X 070mm, 05.50 Eye	2
15	07786	(000000–) Nut, Hex, Std, M8 X 1.25, Ss	4
16	09740	(000000–) Screw, Hex, M8 X 1.25 X 20, Ss	5
17	1023307	(000000–) Arm, Sqge, Side, Lh	2
18	71607	(000000–) Bushing, Sleeve, 0.63b 0.72d 0.38l	3
19	81784	(000000–) Cable, Glv .13d 015.8l .50eye /.50eye	1
20	360801	(000000–) Sleeve, 0.31b 0.50d 0.3l, Ss	3
21	39308	(000000–) Screw, Soc, M8 X 1.25 X 25, 12.9	1
22	41445	(000000–) Screw, Soc, M8 X 1.25 X 35, 12.9	1
23	39349	(000000–) Washer, Flat, 0.31 Sae	2
24	08709	(000000–) Nut, Hex, Lock, M8 X 1.25, NI	2
25	09028	(000000–) Screw, Hex, M10 X 1.5 X 25, Ss	3
26	36328	(000000–) Washer, Flat, Belleville, .50	1
27	1023314	(000000–) Door Wldt, Brush, Lh	1
28	59195	(000000–) Latch, Hook	1
29	09007	(000000–) Screw, Hex, M6 X 1.0 X 25, Ss	2
30	41185	(000000–) Washer, Flat, Belleville, .25	5
31	379870	(000000–) Screw, Hex, M12 X 1.75 X 55, Ss	1
32	07788	(000000–) Nut, Hex, Std, M12 X 1.75, Ss	1
33	41619	(000000–) Washer, Flat, 0.56b 1.38d .11, Ss	1
34	1024576	(000000–) Hinge, .50pin .19 4.0w 06.0l 3/0.44sl	1

Fig. 63 – Solution Tank Group

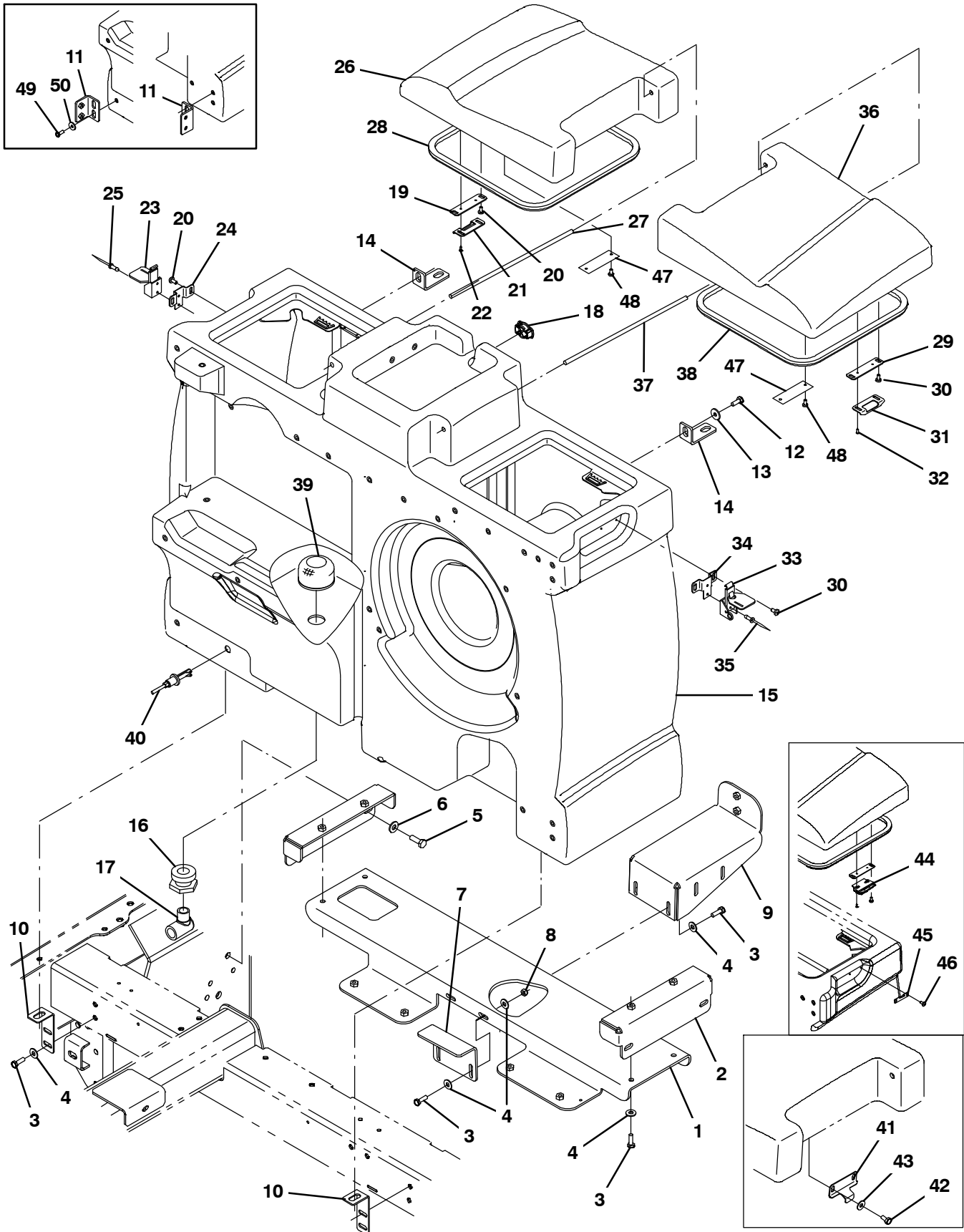


Fig. 63 – Solution Tank Group

Ref.	Part No.	Serial Number	Description	Qty.
1	1023497	(000000–) Channel, Sppt, Tank	1
2	1023493	(000000–) Bracket, Mtg, Tank	2
3	09010	(000000–) Screw, Hex, M8 X 1.25 X 25, Ss	12
4	32491	(000000–) Washer, Flat, 0.31, Std	14
5	12317	(000000–) Screw, Hex, M10 X 1.5 X 30, Ss	4
6	32492	(000000–) Washer, Flat, 0.38, Std	4
7	1023508	(000000–) Bracket, Mtg, Tank	1
8	08713	(000000–) Nut, Hex, Lock, M8 X 1.25, NI, Ss	2
9	1023510	(000000–) Bracket, Mtg, Tank	1
10	1024131	(000000–) Angle, Mtg, Stl, .12 4.2 2.0 01.4l	2
11	1024175	(000000–001004) Angle, Mtg, Stl, .18 2.2 1.9 03.0l	2
12	09740	(000000–) Screw, Hex, M8 X 1.25 X 20, Ss	2
13	1017218	(000000–) Washer, Flat, 0.32b 1.00d .12, Ss	2
14	1024217	(000000–) Angle, Mtg, Stl, .19 3.1 1.8 01.4l	2
15	9004118	(000000–001683) Tank Kit, Soltn, W/ Bracket, Replmt	1
15	1027426	(001684–) Tank, Soltn, W/ Label	1
15	9002670	(001684–) Tank, Soltn, W/ Es [T20]	1
16	377349	(000000–) Fitting, Plstc, Pf12/Pf12, Bh	1
17	69785	(000000–) Fitting, Plstc, E90, Pf12/Pm12	1
18	390994	(000000–) Plug, Hole, Soltn Tank, Blk Pyu	1
▽	9003069	(000000–) Cover Kit, Soltn Tank, Rh [M20 & T20]	1
▲▽	9005165	(000000–) Latch Kit, Cover, Soltn, Replmt[M20/T20]	1
▲▲	19 1039757	(001688–) Plate, Mtg, Latch	1
▲▲	20 382320	(000000–) Screw, Pan, Phl, 12–16 X 0.50, F/ Plstc	4
▲▲	21 1048474	(001928–) Catch, Latch, Tank Cover	1
▲▲	22 222267	(001928–) Screw, Pan, Phl, 06–20 X 0.50, Fmg/Ab	2
▲▲	23 367949	(001928–) Latch	1
▲▲	24 1048512	(001928–) Bracket, Mtg, Latch, Tank Cover	1
▲▲	25 08875	(001928–) Rivet, Blind, .125d X 0.54 X .25d, Alm	2
▲	26 1022176	(000000–) Cover, Tank, Soltn, Rh, Trimmed	1
▲	27 1047098	(000000–) Bar, Rnd, Plstc, 0.31d 12.5l	1
▲	28 1038805	(000000–) Seal, Bulb, Str, .50Hi .50W 047.2L, Adh	1
▽	9003071	(000000–) Cover Kit, Tank, Soltn, Rh, Replmt, Ce (Japan and CE Only)	1
▲▽	9005165	(000000–) Latch Kit, Cover, Soltn, Replmt[M20/T20]	1
▲▲	19 1039757	(001688–) Plate, Mtg, Latch	1
▲▲	20 382320	(000000–) Screw, Pan, Phl, 12–16 X 0.50, F/ Plstc	4
▲▲	21 1048474	(001928–) Catch, Latch, Tank Cover	1
▲▲	22 222267	(001928–) Screw, Pan, Phl, 06–20 X 0.50, Fmg/Ab	2
▲▲	23 367949	(001928–) Latch	1
▲▲	24 1048512	(001928–) Bracket, Mtg, Latch, Tank Cover	1
▲▲	25 08875	(001928–) Rivet, Blind, .125d X 0.54 X .25d, Alm	2
▲	26 1031233	(000000–) Cover, Tank, Soltn, Rh, Trimmed (Japan and CE Only)	1
▲	27 1047098	(000000–) Bar, Rnd, Plstc, 0.31d 12.5l	1
▲	28 1038805	(000000–) Seal, Bulb, Str, .50Hi .50W 047.2L, Adh	1

(CONTINUED)

STANDARD PARTS

Fig. 63 – Solution Tank Group

Ref.	Part No.	Serial Number	Description	Qty.
▽	9003068	(000000–) Cover Kit, Tank, Soltn, Lh, Replmt	1
▲▽	9005165	(000000–) Latch Kit, Cover, Soltn, Replmt[M20/T20]	1
▲▲	29 1039757	(001688–) Plate, Mtg, Latch	1
▲▲	30 382320	(000000–) Screw, Pan, Phl, 12–16 X 0.50, F/ Plstc	4
▲▲	31 1048474	(001928–) Catch, Latch, Tank Cover	1
▲▲	32 222267	(001928–) Screw, Pan, Phl, 06–20 X 0.50, Fmg/Ab	2
▲▲	33 367949	(001928–) Latch	1
▲▲	34 1048512	(001928–) Bracket, Mtg, Latch, Tank Cover	1
▲▲	35 08875	(001928–) Rivet, Blind, .125d X 0.54 X .25d, Alm	2
▲	36 1022182	(000000–) Cover, Tank, Soltn, Lh, Trimmed	1
▲	37 1047098	(000000–) Bar, Rnd, Plstc, 0.31d 12.5l	1
▲	38 1038805	(000000–) Seal, Bulb, Str, .50Hi .50W 047.2L, Adh	1
▽	39 9003070	(000000–) Cover Kit, Tank, Soltn, Lh, Replmt, Ce (Japan and CE Only)	1
▲▽	9005165	(000000–) Latch Kit, Cover, Soltn, Replmt[M20/T20]	1
▲▲	29 1039757	(001688–) Plate, Mtg, Latch	1
▲▲	30 382320	(000000–) Screw, Pan, Phl, 12–16 X 0.50, F/ Plstc	4
▲▲	31 1048474	(001928–) Catch, Latch, Tank Cover	1
▲▲	32 222267	(001928–) Screw, Pan, Phl, 06–20 X 0.50, Fmg/Ab	2
▲▲	33 367949	(001928–) Latch	1
▲▲	34 1048512	(001928–) Bracket, Mtg, Latch, Tank Cover	1
▲▲	35 08875	(001928–) Rivet, Blind, .125d X 0.54 X .25d, Alm	2
▲	36 1031235	(000000–) Cover, Tank, Soltn, Rh, Trimmed (Japan and CE Only)	1
▲	37 1047098	(000000–) Bar, Rnd, Plstc, 0.31d 12.5l	1
▲	38 1038805	(000000–) Seal, Bulb, Str, .50Hi .50W 047.2L, Adh	1
	39 1027290	(000000–) Filter, Soltn, 20mesh, Pm12 3.1d 02.6l	1
	40 385685	(000000–) Sensor, Level, Liq, 14vdc 01a .62–11	1
	41 1020428	(000000–001687) Bracket, Latch, Cover	2
	42 09744	(000000–001687) Screw, Hex, M6 X 1.00 X 12, Ss	4
	43 01684	(000000–001687) Washer, Flat, 0.27b 0.69d .05, Ss	4
	44 1030617	(001688–001927) Latch, Cover	2
	45 1029748	(001688–001927) Bracket, Keeper, Latch	2
	46 382320	(001688–001927) Screw, Pan, Phl, 12–16 X 0.50, F/ Plstc	4
	47 1017101	(000000–) Plate, Label, Soltn Tank (ec–H20 only)	2
	48 360973	(000000–) Screw, Pan, 12–16 X 0.50, F/ Plstc (ec–H20 only)	4
	49 09740	(000000–001004) Screw, Hex, M8 X 1.25 X 20, Ss	2
	50 1017218	(000000–001004) Washer, Flat, 0.32b 1.00d .12, Ss	2

Fig. 64 – Solution Tank Drain Group

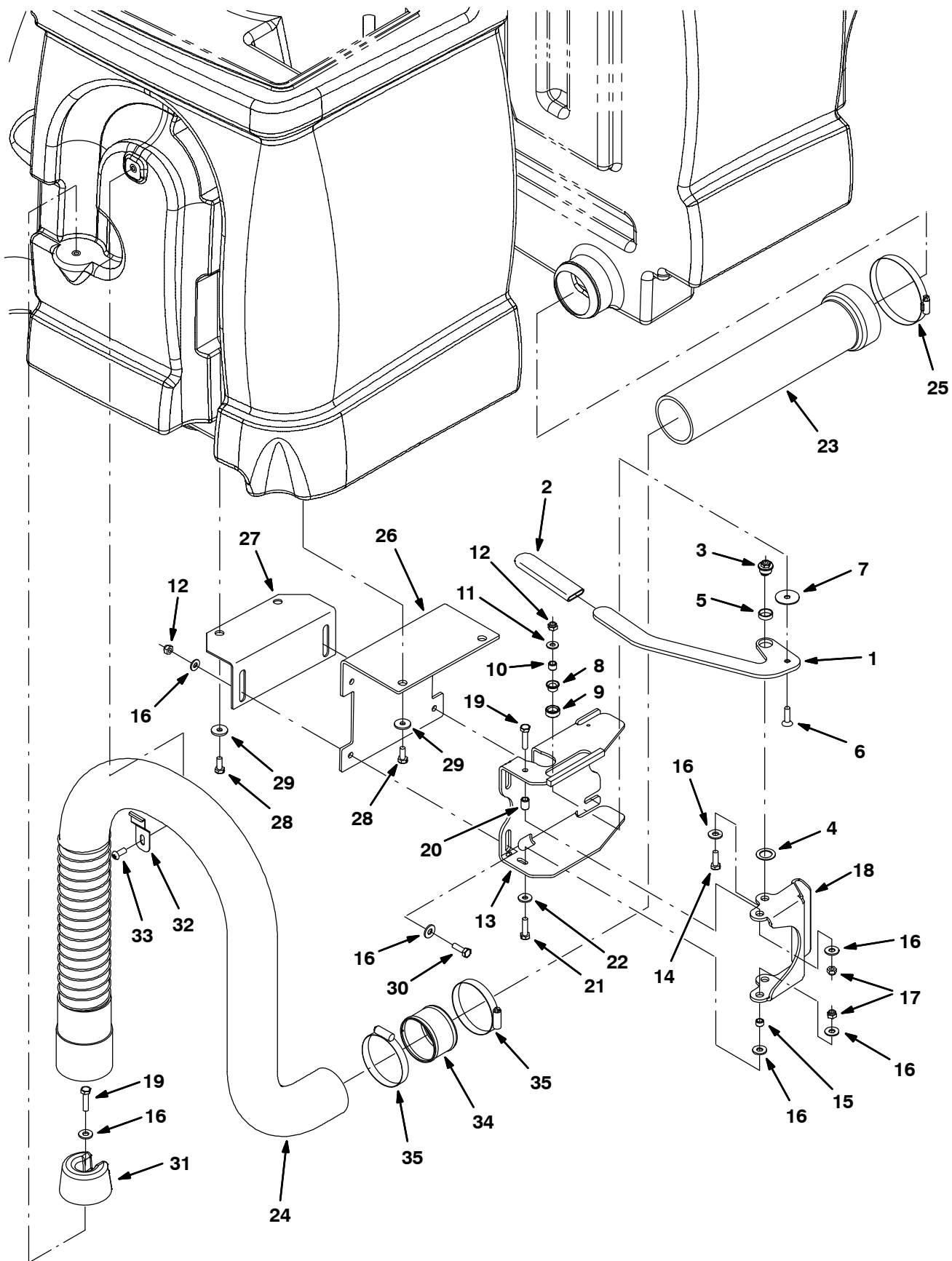


Fig. 64 – Solution Tank Drain Group

Ref.	Part No.	Serial Number	Description	Qty.
1	1025092	(000000–) Handle, Valve, Pinch, Rh	1
2	1023502	(000000–) Grip, Handle	1
3	1024599	(000000–) Bushing, Eccentric, Adj	1
4	1026051	(000000–) Washer, Flat, 0.79b 1.18d .06, Nyl	1
5	74090	(000000–) Bushing, Sleeve, 0.75b 0.88d 0.25l	1
6	79506	(000000–) Screw, Flt, M8 X 1.25 X 30, Ss	1
7	1028701	(000000–) Washer, Thrust, 0.34b 1.50d .06	1
8	15648	(000000–) Bushing, Flng, 0.50b 0.59d 0.38l	1
9	1028691	(000000–) Roller, Brg	1
10	1028690	(000000–) Tube, 0.50d 0.32b 00.4l, Ss	1
11	39349	(000000–) Washer, Flat, 0.31, Sae	1
12	08713	(000000–) Nut, Hex, Lock, M8 X 1.25, NI, Ss	9
13	1042003	(000000–) Mount Wldt, Valve, Pinch, Rh	1
14	39277	(000000–) Screw, Hex, M8 X 1.25 X 25, 8.8	1
15	222516	(000000–) Sleeve, P/M, 0.31b 0.50d 0.3l [430ss]	1
16	32491	(000000–) Washer, Flat, 0.31, Std	10
17	08713	(000000–) Nut, Hex, Lock, M8 X 1.25, NI, Ss	3
18	1024535	(000000–) Arm, Pinch	1
19	06955	(000000–) Screw, Hex, M8 X 1.25 X 35, 8.8	2
20	80395	(000000–) Sleeve, P/M, 0.31b 0.50d 0.7l [430ss]	1
21	76570	(000000–) Screw, Hex, M8 X 1.25 X 30, 8.8	1
22	41186	(000000–) Washer, Flat, Belleville, .31	1
23	9003793	(000000–) Tube Kit, Tank, Soltn, Replmt	1
24	1019424	(000000–) Hose, Drain, 3.00id X 48.0l	1
25	23498	(000000–) Clamp, Hose, Wormdrive, 3.56–4.50d, .50w	1
26	1025449	(000000–) Angle, Mtg, Valve	2
27	1025452	(000000–) Angle, Mtg, Stl, .12 3.7 3.4 09.1l	2
28	09740	(000000–) Screw, Hex, M8 X 1.25 X 20, Ss	4
29	1017218	(000000–) Washer, Flat, 0.32b 1.00d .12, Ss	4
30	09010	(000000–) Screw, Hex, M8 X 1.25 X 25, Ss	4
31	1022137	(000000–) Plug, Hose, Pyu	1
32	1025480	(000000–) Bracket, Retaining, Hose	1
33	393135	(000000–) Screw, Btn, M8 X 1.25 X 20, Blk	1
34	1020744	(000000–) Tube, Rnd, 3.00d 2.90b 02.0l, Ss	1
35	43555	(000000–) Clamp, Hose, Wormdrive, 2.50–3.50d, .50w	2

STANDARD PARTS

Fig. 65 – Solution Control Group, Cylindrical Scrub Head

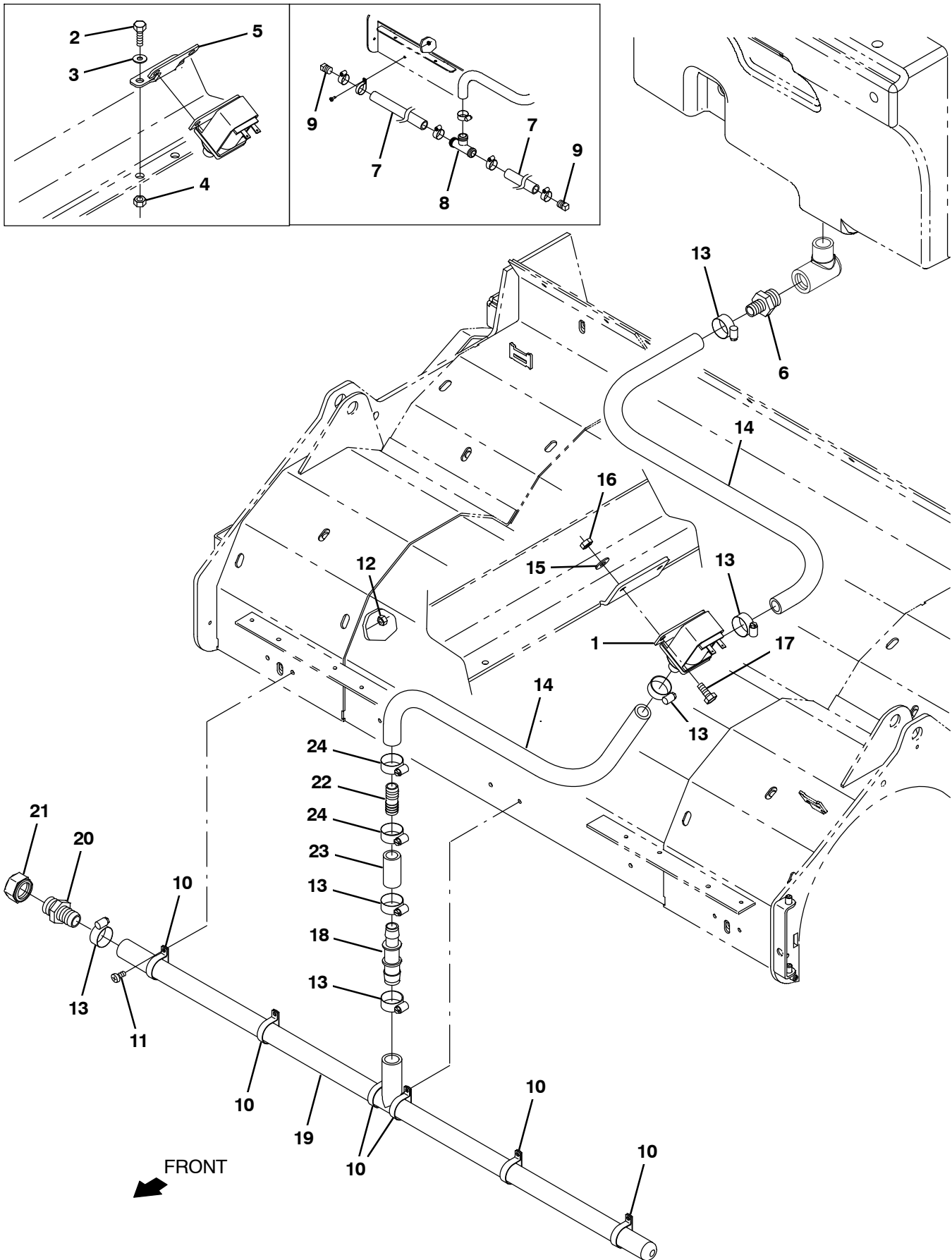


Fig. 65 – Solution Control Group, Cylindrical Scrub Head

Ref.	Part No.	Serial Number	Description	Qty.
1	1067700	(000000–)	Valve Assy, Water, Solenoid , 12vdc	1
2	08716	(000000–001602)	Screw, Hex, M6 X 1.0 X 20, Ss	2
3	01684	(000000–001602)	Washer, Flat, 0.25, Ss	2
4	08712	(000000–001602)	Nut, Hex, Lock, M6 X 1.0, Ss, NI	2
5	1028074	(000000–001602)	Bracket, Mtg, Valve	1
6	79273–2	(000000–006330)	Fitting, Plstc, Str, Bm12/Pm12	1
6	365095	(006331–)	Fitting, Plstc, Str, Bm10/Pm12	1
7	1029185	(000000–001581)	Tube, Distribution, Water	2
8	41315	(000000–001581)	Fitting, Plstc, Tee, Bm12/Bm12/Bm12	1
9	17521	(000000–001581)	Fitting, Pipe, Plug, Pm08, Sq Head	2
10	50544	(000000–)	Clamp, Cable, Ss, 1.12d X 0.38w, 1h	6
11	09200	(000000–)	Screw, Pan, M5 X 0.8 X 12, Ss	6
12	09739	(000000–)	Nut, Hex, Lock, M5 X 0.8, NI, Ss	6
13	63810	(000000–)	Clamp, Hose, Wormdrive, 0.56–1.06d, .56w	8
14	1015045	(000000–006330)	Hose, Afmkt, Pvc, Brd 0.75id 08ft	1
14	1015032	(006331–)	Hose, Afmkt, Pvc, Brd, 0.62id, 08ft, Clr	1
15	01684	(000000–)	Washer, Flat, 0.25, Ss	2
16	08712	(000000–)	Nut, Hex, Lock, M6 X 1.0, Ss, NI	2
17	08716	(000000–)	Screw, Hex, M6 X 1.0 X 20, Ss	2
18	1038074	(001582–006330)	Fitting, Plstc, Str, Bm12/Bm12	1
18	363543	(006331–)	Fitting, Plstc, Str, Bm10/Bm12	1
19	1036997	(001582–)	Manifold, Bar, Spray, 37.5inch	1
20	79273–2	(001582–)	Fitting, Plstc, Str, Bm12/Pm12	1
21	1039064	(001582–)	Fitting, Plstc, Cap, Pf12 Hex	1
22	365164	(006331–)	Fitting, Plstc, Str, Bm10/Bm10	1
23	1015033	(006331–)	Hose, Afmkt, Pvc, Brd, 0.62id, 01ft, Clr	1
24	63810	(006331–)	Clamp, Hose, Wormdrive, 0.56–1.06d, .56w	2

Fig. 66 – Solution Control Group, Disk Scrub Head

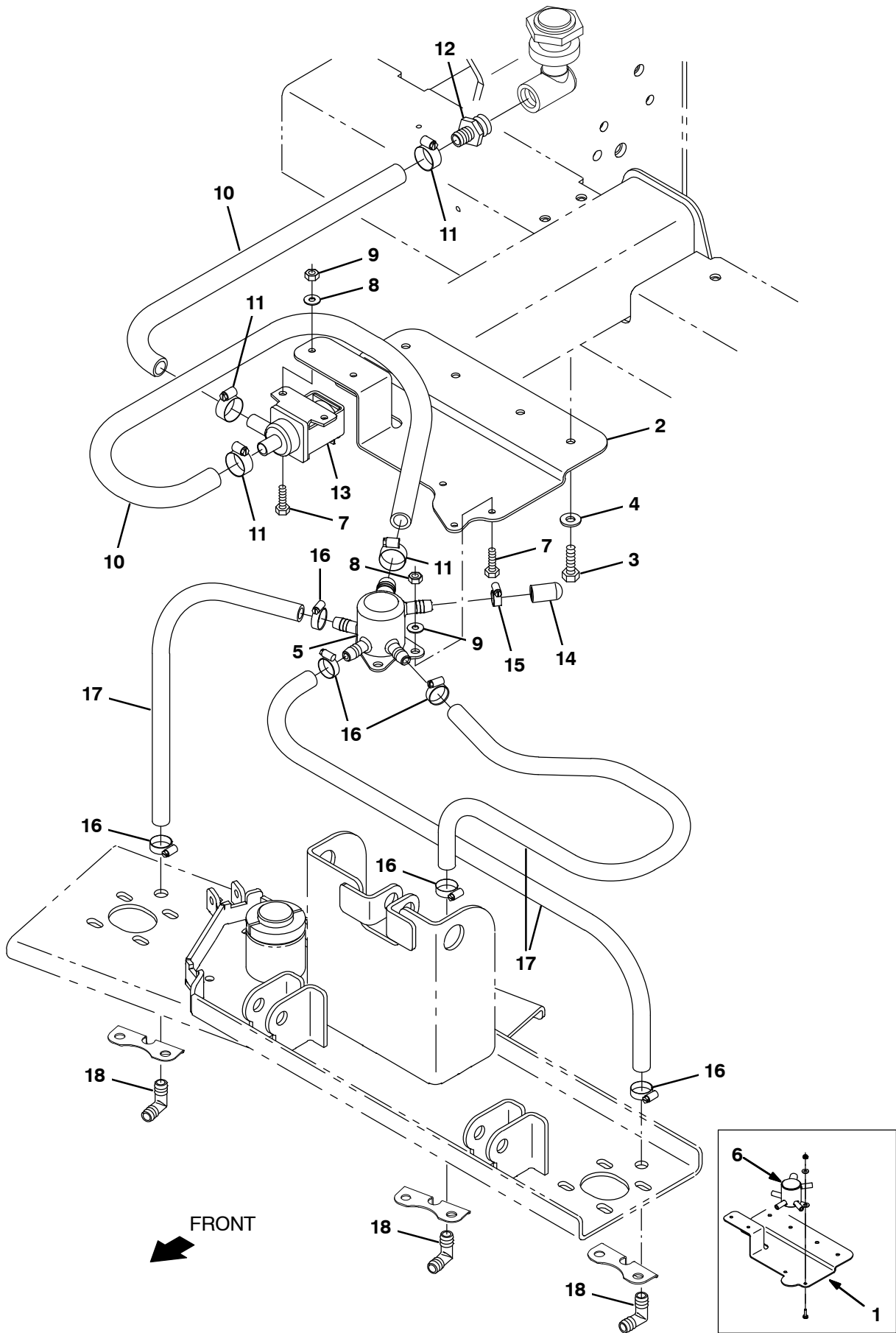


Fig. 66 – Solution Control Group, Disk Scrub Head

Ref.	Part No.	Serial Number	Description	Qty.
1	1028205	(000000–001762)	Bracket, Valve, Water	1
2	1042046	(001763–)	Bracket, Valve, Water	1
3	09010	(000000–)	Screw, Hex, M8 X 1.25 X 25, Ss	2
4	32491	(000000–)	Washer, Flat, 0.31, Std	2
5	1032701	(001763–)	Manifold Assy, Cntrl, Soltn	1
6	1023491	(000000–001762)	Manifold Wldt, Cntrl, Soltn	1
7	08716	(000000–)	Screw, Hex, M6 X 1.0 X 20, Ss	5
8	01684	(000000–)	Washer, Flat, 0.25, Ss	5
9	08712	(000000–)	Nut, Hex, Lock, M6 X 1.00, Ss, NI	5
10	1015045	(000000–006330)	Hose, Afmkt, Pvc, Brd 0.75id 08ft	1
10	1015032	(006331–)	Hose, Afmkt, Pvc, Brd 0.62id 08ft	1
11	63810	(000000–)	Clamp, Hose, Wormdrive, 0.56–1.06d, .56w	4
12	79273–2	(000000–006330)	Fitting, Plstc, Str, Bm12/Pm12	1
12	365095	(006331–)	Fitting, Plstc, Str, Bm10/Pm12	1
13	1067700	(000000–)	Valve Assy, Water, Solenoid , 12vdc	1
14	20807	(000000–)	Cap, Rbr, 0.50id 1.18l Blk	1
15	43844	(000000–)	Clamp, Hose, Wormdrive, 0.25–0.62d, .31w	1
16	54333	(000000–)	Clamp, Hose, Wormdrive, 0.31–0.88d, .31w	6
17	1006401	(000000–)	Hose, Afmkt, Pvc, Brd 0.50id 03ft	3
18	63987–1	(000000–)	Fitting, Plstc, E90, Bm08/Bm08	3

Fig. 67 – Recovery Tank Group

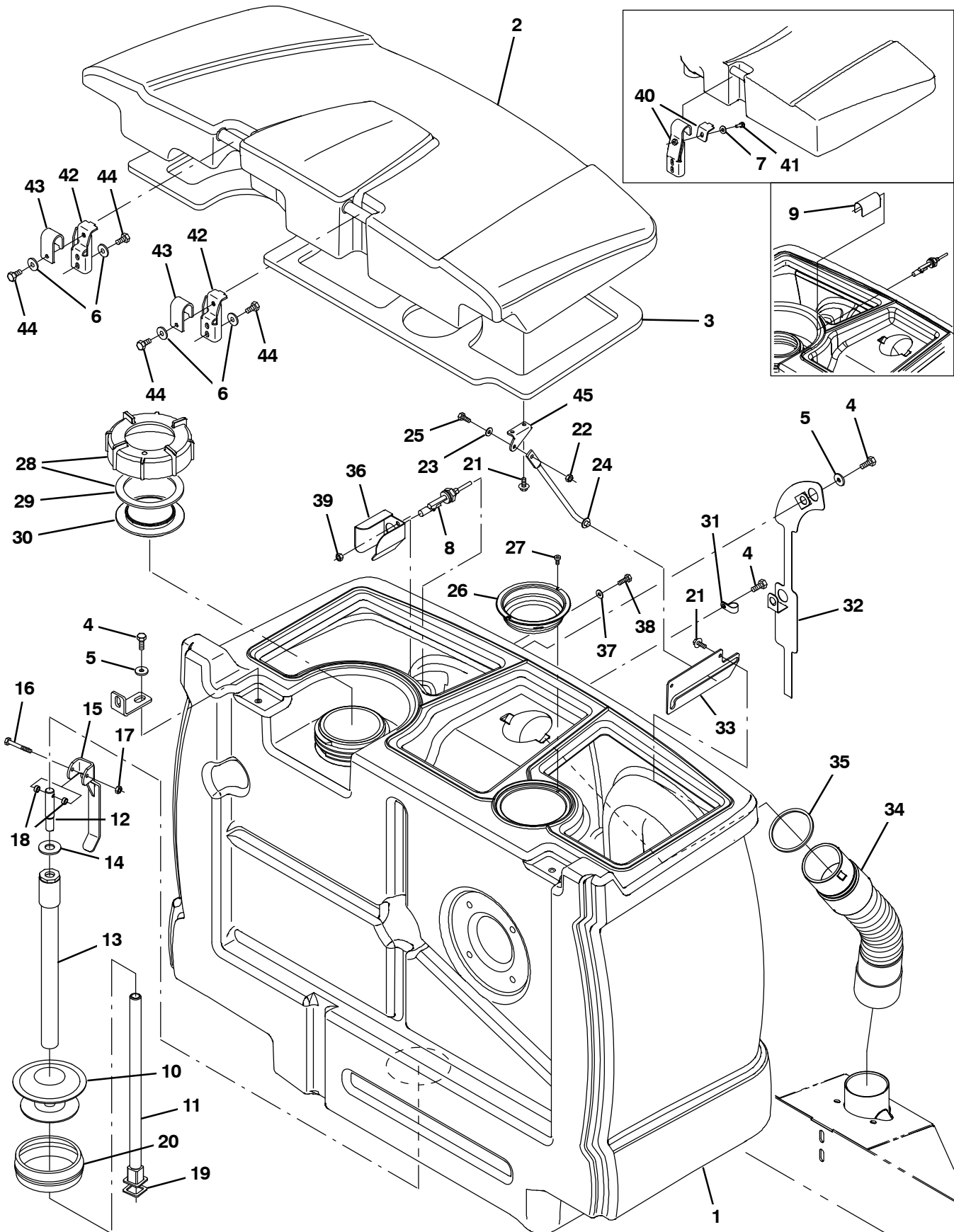


Fig. 67 – Recovery Tank Group

Ref.	Part No.	Serial Number	Description	Qty.
	1	1026316	(000000–) Tank, Recvy, Trimmed	1
▽	2	9003072	(000000–) Cover Kit, Tank, Recvy, Replmt [T20]	1
▲	3	1025562	(000000–) Gasket, Tank, Recvy	1
	4	09740	(000000–) Screw, Hex, M8 X 1.25 X 20, Ss	5
	5	1017218	(000000–) Washer, Flat, 0.32b 1.00d .12, Ss	4
	6	32491	(001685–) Washer, Flat, 0.31, Std	6
	7	32491	(000000–001684) Washer, Flat, 0.31, Std	2
	8	385685	(000000–) Sensor, Level, Liq, 14vdc 01a .62–11	1
	9	9003797	(000000–001608) Guard Kit, Switch, Float, Replmt [T20]	1
▽		9003313	(000000–) Plug Kit, Drain, Recvy, Ci [M20 & T20]	1
▲	10	1022370	(000000–) Plug, Drain, Expandable, 4.75–6.00	1
▲	11	1028328	(000000–) Tube Wldt, Plug, Drain	1
▲	12	1028173	(000000–) Pin, Lift, Drain	1
▲	13	1072885	(000000–) Tube Assy, Plug, Drain	1
▲	14	1028522	(000000–) Washer, Flat, .78b 1.75d .18, Ss	1
▲	15	1028211	(000000–) Handle Wldt, Drain	1
▲	16	58979	(000000–) Screw, Hex, M6 X 1.0 X 55, Ss	1
▲	17	08712	(000000–) Nut, Hex, Lock, M6 X 1.00, Ss, NI	1
▲	18	360801	(000000–) Sleeve, 0.31b 0.50d 0.3l, Ss	1
▲	19	1035044	(000000–) Seal, Shaft, Drain Plug	1
▲	20	1039652	(000000–) Seal, Plug, Drain [Nitrile]	1
	21	1046798	(000000–) Screw, Hex, .25–10 X 0.75, Fmg/a, Ss	4
	22	08712	(000000–) Nut, Hex, Lock, M6 X 1.00, Ss, NI	1
	23	01684	(000000–) Washer, Flat, 0.25, Ss	1
	24	54615	(000000–) Arm Wldt, Safety, Sppt, Seat, .38d 10.1l	1
	25	08716	(000000–) Screw, Hex, M6 X 1.0 X 20, Ss	1
	26	1026014	(000000–) Screen, Vacuum	1
	27	382320	(000000–) Screw, Pan, #12–16 X 0.50, F/ Plstc	2
▽	28	24358	(000000–) Cap Assy, Tank, Drain	1
▲	29	1031699	(000000–) Gasket, Lid	1
	30	86636	(000000–) Cover, Tank	1
	31	67767	(000000–) Clamp, Cable, Stl, 0.69d X 0.62w, 1h	1
	32	1030280	(000000–) Shield Wldt, Switch, Float	1
	33	1025620	(000000–) Plate, Mtg, Prop Rod	1
	34	1031610	(000000–) Hose Assy, Sqg	1
	35	1021920	(000000–) Gasket, 3.23ld 3.63Od .16Th, Ure	1
	36	1039697	(001609–) Guard Wldt, Switch, Float	1
	37	76426	(001609–) Washer, Sealing, 0.28b 0.75d Ss, Neo	2
	38	09007	(001609–) Screw, Hex, M6 X 1.00 X 25, Ss	2
	39	08712	(001609–) Nut, Hex, Lock, M6 X 1.00, Ss, NI	2
	40	9003893	(000000–001684) Hinge Kit, Cover, Tank, Recvy, Replmt	2
	41	09740	(000000–001684) Screw, Hex, M8 X 1.25 X 20, Ss	2
	42	1039072	(001685–) Bracket, Sppt, Cover, Tank, Recvy	1
	43	1039049	(001685–) Bracket, Mtg, Cover, Recvy Tank	1
	44	16735	(001685–) Screw, Hex, M8 X 1.25 X 16, 8.8	6
	45	1025619	(000000–) Bracket, Mtg, Prop Rod	1

Fig. 68 – Recovery Tank Drain Group

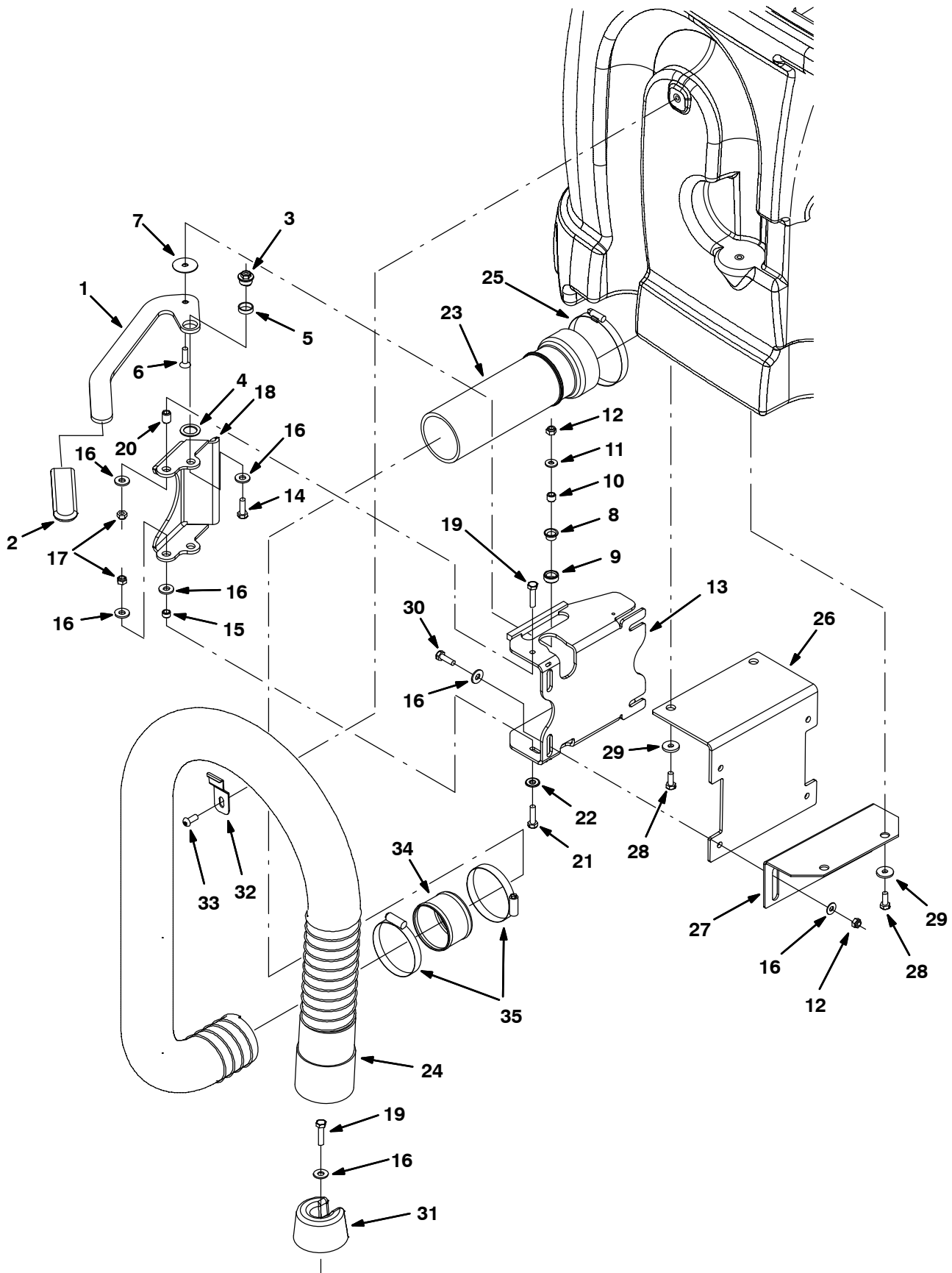


Fig. 68 – Recovery Tank Drain Group

Ref.	Part No.	Serial Number	Description	Qty.
1	1026142	(000000–) Handle, Valve, Pinch, Lh	1
2	1023502	(000000–) Grip, Handle	1
3	1024599	(000000–) Bushing, Eccentric, Adj	1
4	1026051	(000000–) Washer, Flat, 0.79b 1.18d .06, Nyl	1
5	74090	(000000–) Bushing, Sleeve, 0.75b 0.88d 0.25l	1
6	79506	(000000–) Screw, Flt, M8 X 1.25 X 30, Ss	1
7	1028701	(000000–) Washer, Thrust, 0.34b 1.50d .06	1
8	15648	(000000–) Bushing, Flng, 0.50b 0.59d 0.38l	1
9	1028691	(000000–) Roller, Brg	1
10	1028690	(000000–) Tube, 0.50d 0.32b 00.4l, Ss	1
11	39349	(000000–) Washer, Flat, 0.31, Sae	1
12	08713	(000000–) Nut, Hex, Lock, M8 X 1.25, NI, Ss	9
13	1042010	(000000–) Mount Wldt, Valve, Pinch, Lh	1
14	39277	(000000–) Screw, Hex, M8 X 1.25 X 25, 8.8	1
15	222516	(000000–) Sleeve, P/M, 0.31b 0.50d 0.3l [430ss]	1
16	32491	(000000–) Washer, Flat, 0.31, Std	10
17	08713	(000000–) Nut, Hex, Lock, M8 X 1.25, NI, Ss	3
18	1024535	(000000–) Arm, Pinch	1
19	06955	(000000–) Screw, Hex, M8 X 1.25 X 35, 8.8	2
20	80395	(000000–) Sleeve, P/M, 0.31b 0.50d 0.7l [430ss]	1
21	76570	(000000–) Screw, Hex, M8 X 1.25 X 30, 8.8	1
22	41186	(000000–) Washer, Flat, Belleville, .31	1
23	9003794	(000000–) Tube Kit, Tank, Recvy, Replmt	1
24	1019424	(000000–) Hose, Drain, 3.00id X 48.0l	1
25	23498	(000000–) Clamp, Hose, Wormdrive, 3.56–4.50d, .50w	1
26	1025449	(000000–) Angle, Mtg, Valve	2
27	1025452	(000000–) Angle, Mtg, Stl, .12 3.7 3.4 09.1l	2
28	09740	(000000–) Screw, Hex, M8 X 1.25 X 20, Ss	4
29	1017218	(000000–) Washer, Flat, 0.32b 1.00d .12, Ss	4
30	09010	(000000–) Screw, Hex, M8 X 1.25 X 25, Ss	4
31	1022137	(000000–) Plug, Hose, Pyu	1
32	1025480	(000000–) Bracket, Retaining, Hose	1
33	393135	(000000–) Screw, Btn, M8 X 1.25 X 20, Blk	1
34	1020744	(000000–) Tube, Rnd, 3.00d 2.90b 02.0l, Ss	1
35	43555	(000000–) Clamp, Hose, Wormdrive, 2.50–3.50d, .50w	2

Fig. 69 – Vacuum Fan Group, Scrubbing (000000–005892)

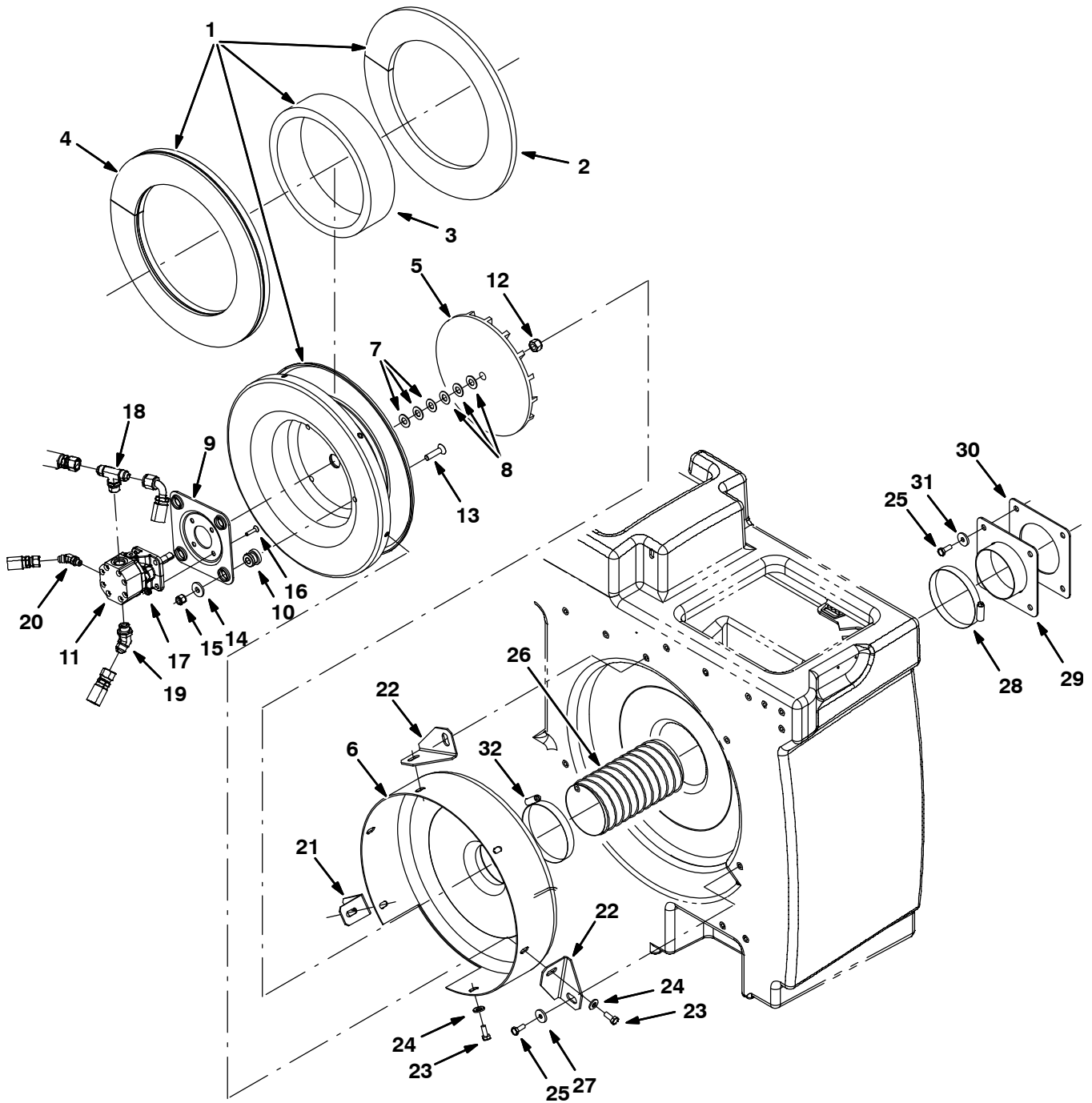


Fig. 69 - Vacuum Fan Group, Scrubbing (000000-005892)

Ref.	Part No.	Serial Number	Description	Qty.
▽	9003455	(000000-005892)	Fan Kit, Scrub, Replmt [M20/T20]	1
▲▽	1 9002684	(000000-005892)	Housing Assy, Vacfan, Scrbr	1
▲▲	2 1025888	(000000-005892)	Insulation, Flame-Retardant, 0.50	1
▲▲	3 1025887	(000000-005892)	Insulation, Flame-Retardant, 0.75-0.88	1
▲▲	4 1025872	(000000-005892)	Insulation, Flame-Retardant, 0.75-0.88	1
▲	5 03922	(000000-005892)	Impeller, 9.5d, 18 Bl	1
▲	6 57189	(000000-005892)	Housing Wldt, Vacfan, Front [528]	1
▲	7 75456-3	(000000-005892)	Shim, Washer, 0.88d 0.51b .020	3
▲	8 75456-4	(000000-005892)	Shim, Washer, 0.88d 0.51b .060	3
▲	9 54275A	(000000-005892)	Bracket, Mtg, Motor	1
▲	10 54274	(000000-005892)	Isolator, Vib, Bshg, 1.1d 0.6l .4b 0.78h	4
▲▽	11 9003461	(000000-005892)	Motor Kit, Replmt [M20&T20]	1
▲▲	00954	(000000-005892)	Key, Sq, 0.12 X 0.12, 1.00l (Included With Motor)	1
▲▲	74233	(000000-005892)	Kit, Seal, Motor, Hyd, Gear[Barns]	1
▲▲	12 41130	(000000-005892)	Nut, Low Crown, .50-20	1
▲▲	13 54861	(000000-005892)	Screw, Flt, .38-16 X 1.50, Al	4
▲▲	14 1014563	(000000-005892)	Washer, Flat, 0.40b 1.12d .12, Ss	4
▲▲	15 36643	(000000-005892)	Nut, Hex, Lock, .38-16, NI, Thin	4
▲▲	16 39534	(000000-005892)	Screw, Flt, .25-20 X 1.00, Al	4
▲▲	17 32981	(000000-005892)	Nut, Hex, Lock, .25-20, NI	4
▲▲	18 49933	(000000-005892)	Fitting, Hyd, Tee, Jm08/Jm08/Om08, Br	1
▲▲	19 42226	(000000-005892)	Fitting, Hyd, E45, Jm08/Om08	1
▲▲	20 392609	(000000-005892)	Fitting, Hyd, E45, Jm06/Om04	1
▲	21 1020320	(000000-005892)	Angle, Sppt, Fan	1
▲	22 1024891	(000000-005892)	Bracket, Mtg, Fan	2
▲	23 16931	(000000-005892)	Screw, Hex, M8 X 1.25 X 20, 8.8	6
▲	24 41186	(000000-005892)	Washer, Flat, Belleville, .31	6
	25 09740	(000000-005892)	Screw, Hex, M8 X 1.25 X 20, Ss	7
	26 1022377	(000000-005892)	Hose, Flex, 4.00d, 24.0l	1
	27 1014563	(000000-005892)	Washer, Flat, 0.40b 1.12d .12, Ss	3
	28 79380	(000000-005892)	Clamp, Hose, Wormdrive, 3.75-4.62d, .62w	1
	29 1023754	(000000-005892)	Plate Wldt, Hose, Vacuum	1
	30 1024853	(000000-005892)	Gasket, Plt, Hose, Vacuum	1
	31 1017218	(000000-005892)	Washer, Flat, 0.32b 1.00d .12, Ss	4
	32 23498	(000000-005892)	Clamp, Hose, Wormdrive, 3.56-4.50D, .50W	1

Fig. 70 – Vacuum Fan Group, Scrubbing (005893–)

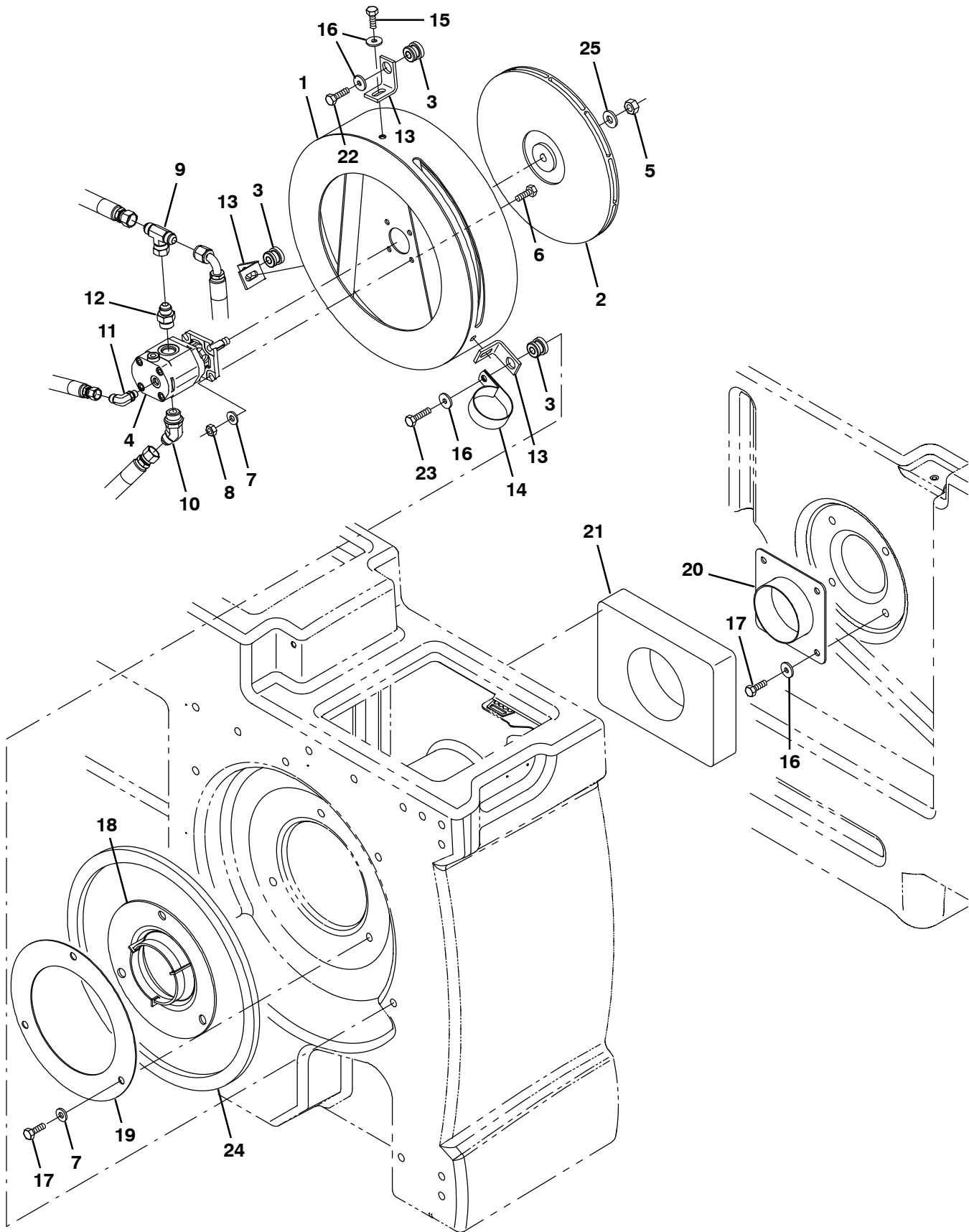
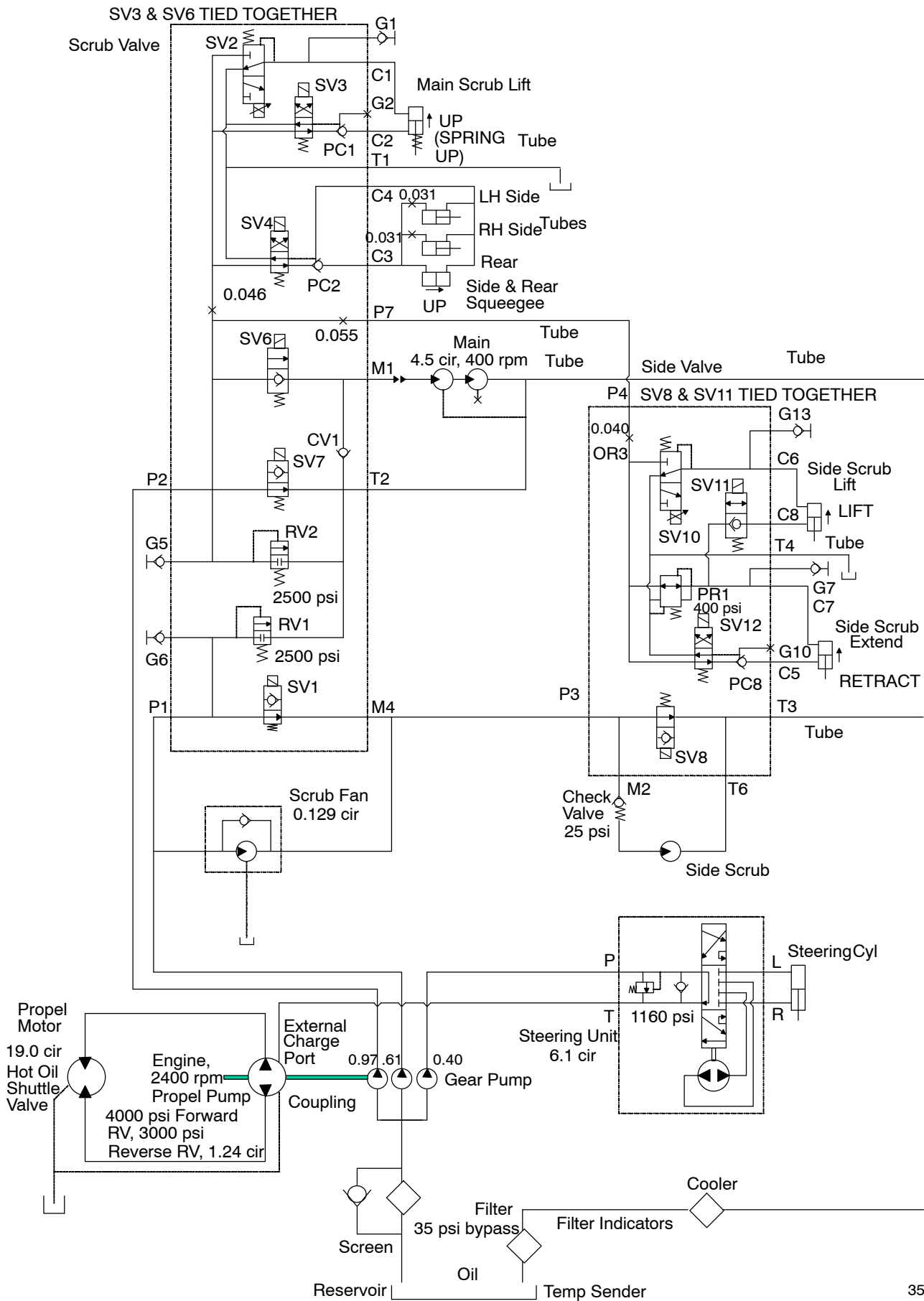


Fig. 70 - Vacuum Fan Group, Scrubbing (005893-)

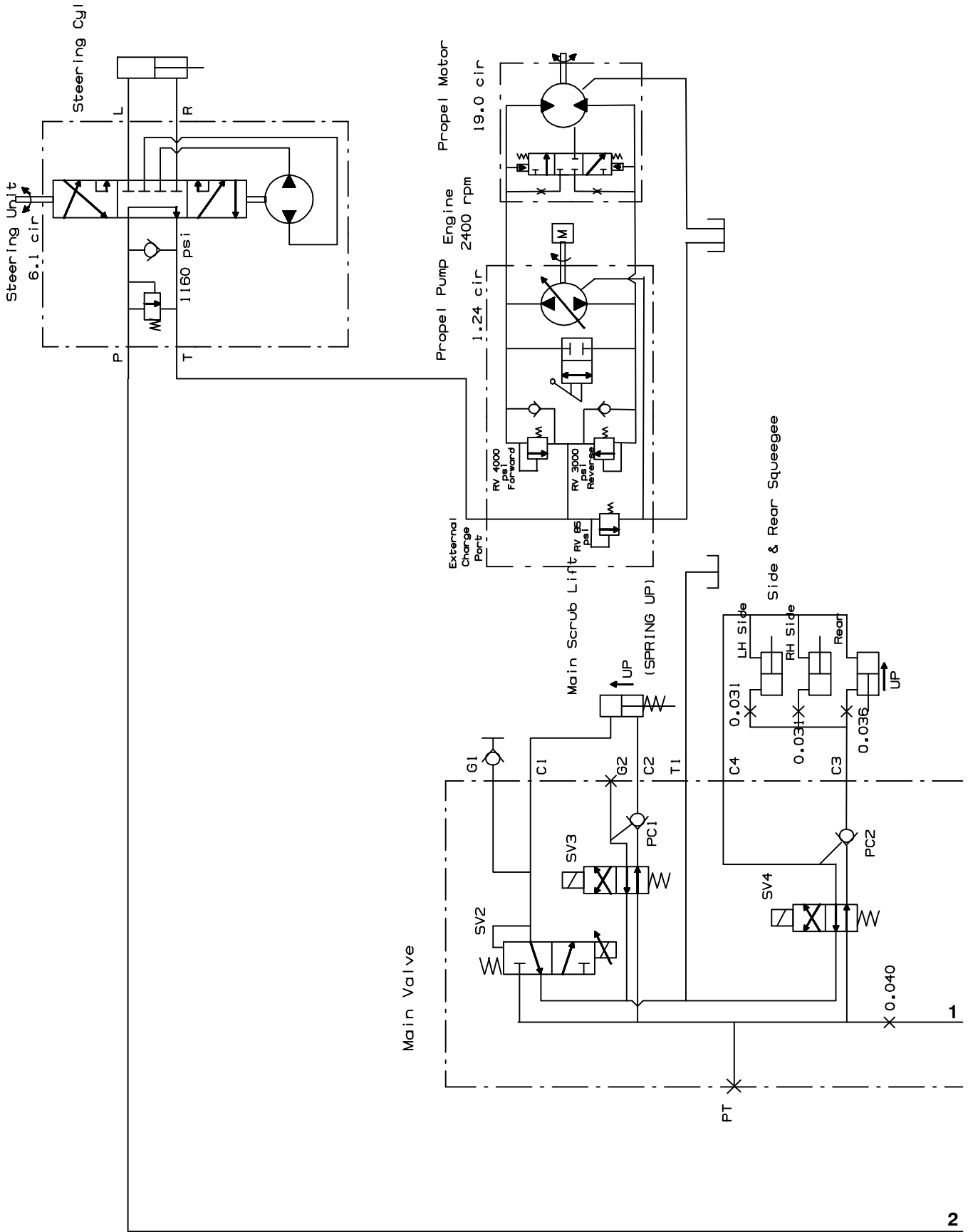
Ref.	Part No.	Serial Number	Description	Qty.
1	1068611	(005893-) Plate Wldt, Mtg, Fan	1
2	1062033	(005893-) Impeller, 11.81d X 0.500b	1
3	54274	(005893-) Isolator, Vib, Bshg, 1.1d 0.6l .4b 0.78h	3
4	1071253	(005893-) Motor, Hyd, Gear, Ext 0.17 Lh 3000	1
5	07788	(005893-) Nut, Hex, Std, M12 X 1.75, Ss	1
6	09010	(005893-) Screw, Hex, M8 X 1.25 X 25, Ss	4
7	01685	(005893-) Washer, Flat, 0.38b 0.88d .08, Ss	7
8	08713	(005893-) Nut, Hex, Lock, M8 X 1.25, NI, Ss	4
9	76315	(005893-) Fitting, Hyd, Tee, Jf08/Jm08/Jm08, Br	1
10	47513	(005893-) Fitting, Hyd, E45, Jm08/Om10	1
11	77098	(005893-) Fitting, Hyd, E90, Jm06/Om04	1
12	56692	(005893-) Fitting, Hyd, Str, Jm08/Om10	1
13	1068644	(005893-) Angle, Sppt, Fan	3
14	70157	(005893-) Clamp, Cable, Ss, 2.50d X 1.00w, 1hole	1
15	39277	(005893-) Screw, Hex, M8 X 1.25 X 25, 8.8	3
16	1017218	(005893-) Washer, Flat, 0.32b 1.00d .12, Ss	10
17	09740	(005893-) Screw, Hex, M8 X 1.25 X 20, Ss	7
18	1059100	(005893-) Housing, Fan, Radial Discharge, Sq Inlet	1
19	1074577	(005893-) Plate, Rnd	1
20	1023754	(005893-) Plate Wldt, Hose, Vacuum	1
21	1060716	(005893-) Gasket, 2.00, 07.87w 10.24l, Adh	1
22	09011	(005893-) Screw, Hex, M8 X 1.25 X 30, Ss	2
23	09023	(005893-) Screw, Hex, M8 X 1.25 X 35, Fl, Ss	1
24	1068613	(005893-) Gasket, Foam, .50, 14.76id 16.54od, Adh	1
25	36328	(005893-) Washer, Flat, Belleville, .50	1

Fig. 71 - Hydraulic Schematic (000000-001503)



354520

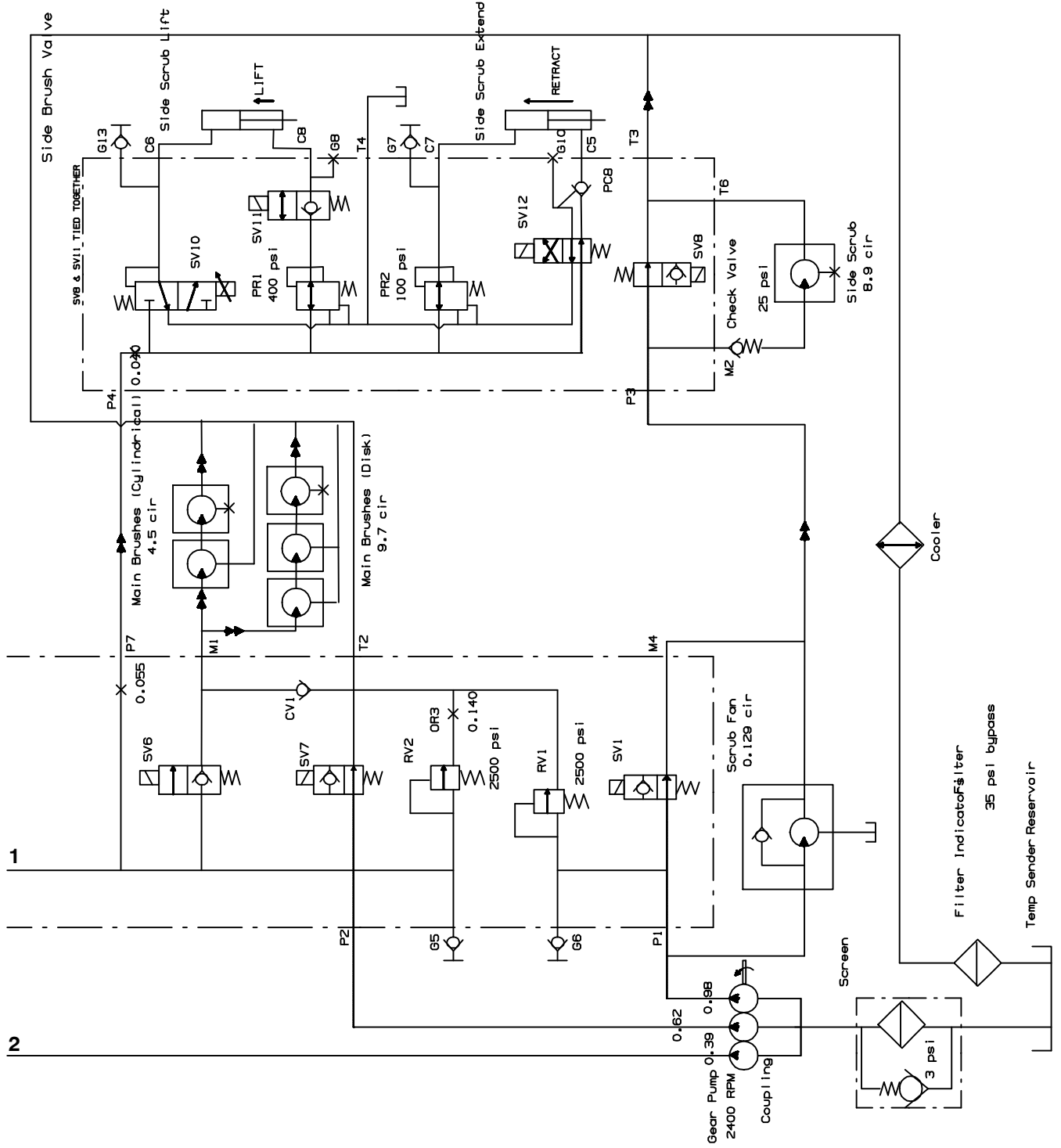
Fig. 72 – Hydraulic Schematic (001504-002282)



2

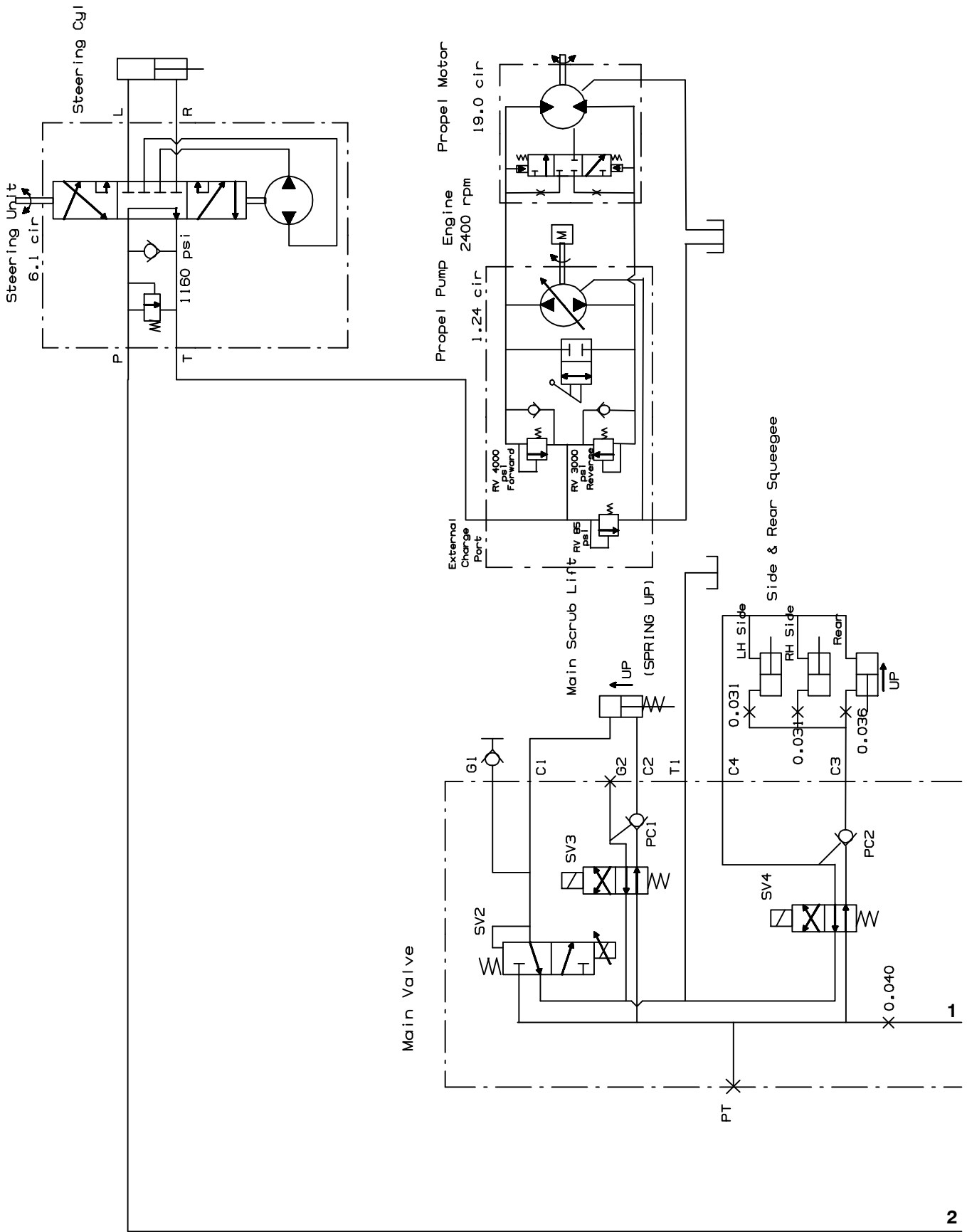
354520 – T20

Fig. 72 - Hydraulic Schematic (001504-002282)



354520 - T20

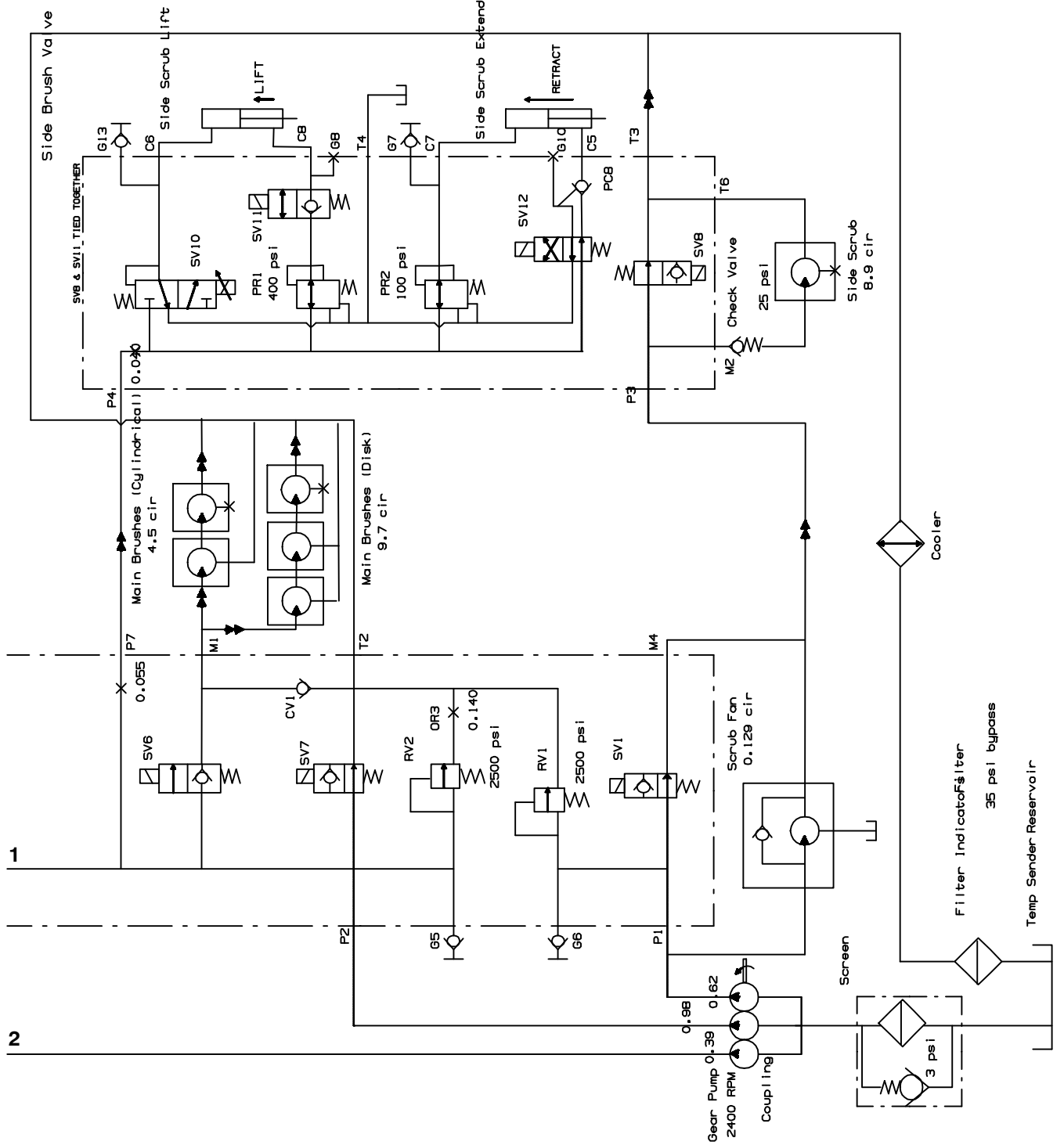
Fig. 73 – Hydraulic Schematic (002283-)



2

354520 – T20

Fig. 73 - Hydraulic Schematic (002283-)



354520 - T20

Fig. 74 – Hydraulic Hose Group, Steering and Propel

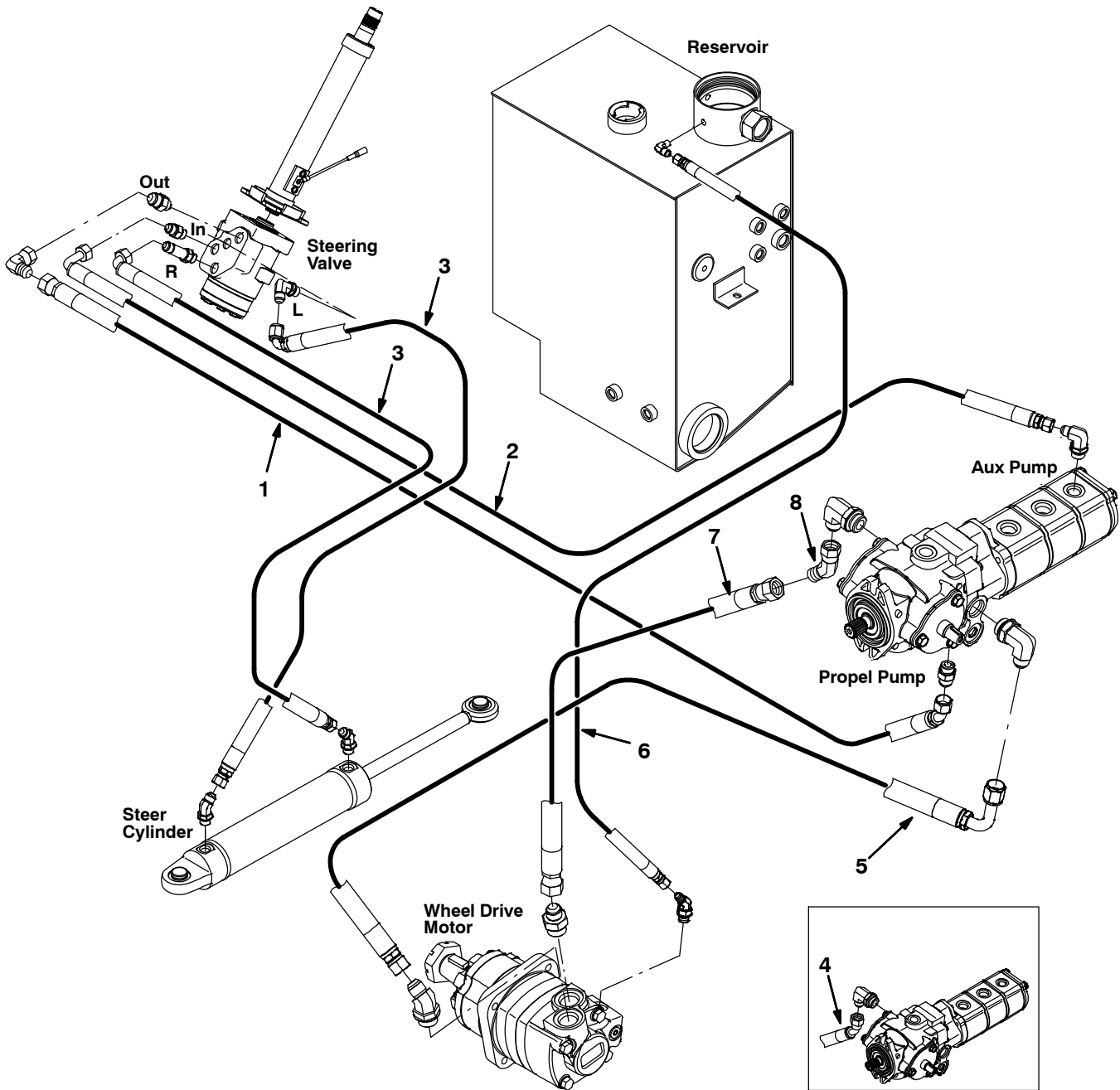


Fig. 74 – Hydraulic Hose Group, Steering and Propel

Ref.	Part No.	Serial Number	Description	Qty.
1	1023609	(000000–)	Hose, Hyd, Tc08, Jf08e45/Jf08str, 96.0	1
2	1023608	(000000–)	Hose, Hyd, Tc06, Jf06e90/Jf06str, 104.0	1
3	396221	(000000–)	Hose, Hyd, Tc06, Jf06e90/Jf06str, 040.0	2
4	1039148	(000000–001574)	Hose Kit, Hyd, Propel, Ci [M20/T20]	1
5	1023488	(000000–)	Hose, Hyd, Spcl, Jf10e90/Jf10str, 63.0	1
6	1030404	(000000–)	Hose, Hyd,Med04, Jf04str/Jf04str, 066.0	1
7	1038569	(001575–)	Hose, Hyd, Spcl, Jf10str/Jf10str, 56.5	1
8	54017	(001575–)	Fitting, Hyd, E45, Jf10/Jm10	1

Fig. 75 – Hydraulic Hose Group, Pump and Vacuum Fan

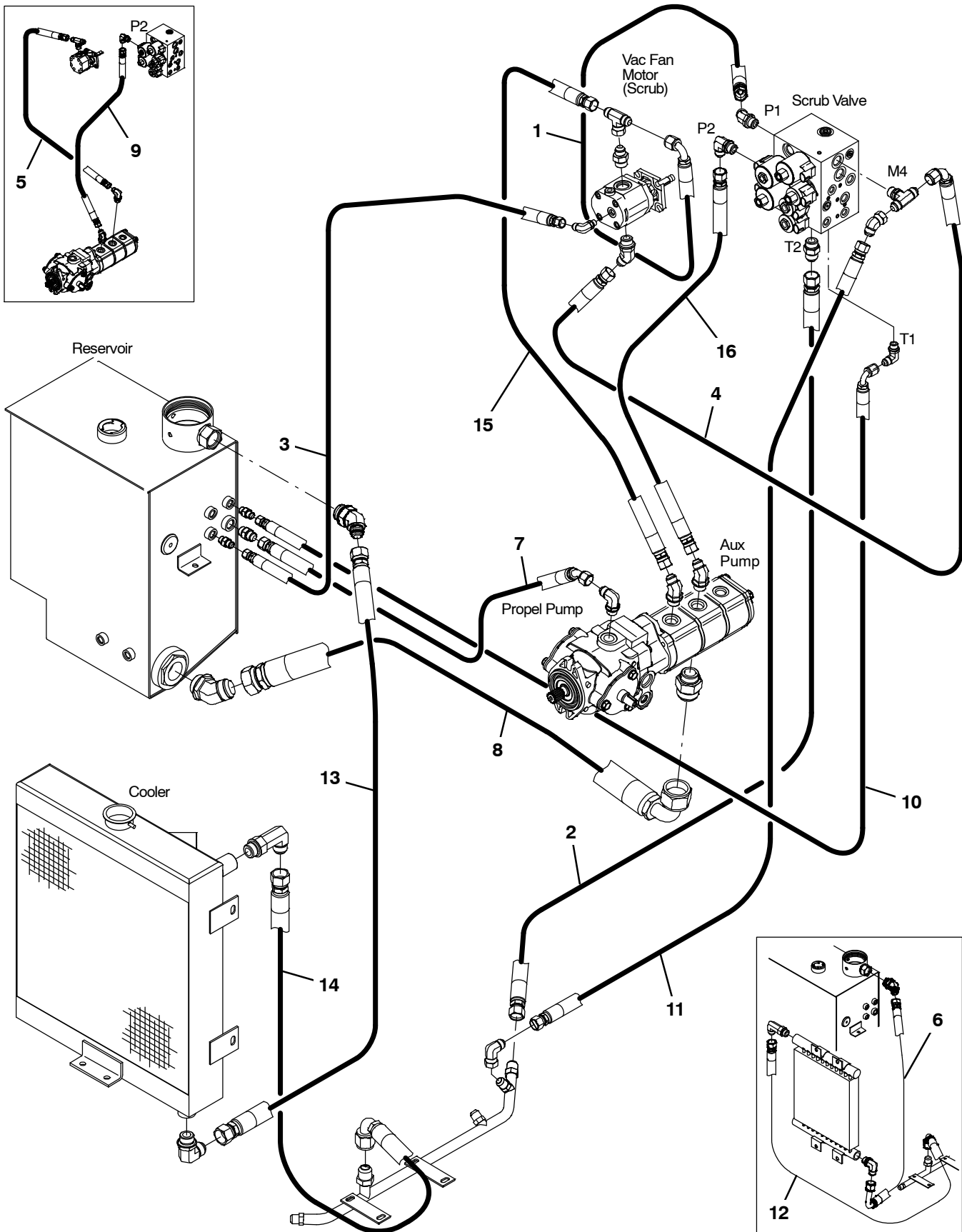


Fig. 75 – Hydraulic Hose Group, Pump and Vacuum Fan

Ref.	Part No.	Serial Number	Description	Qty.
1	71741	(000000–)	Hose, Hyd, Tc08, Jf08e90/Jf08str, 046.0	1
2	65197	(000000–)	Hose, Hyd, Med08, Jf08e90/Jf08str, 062.0	1
3	396273	(000000–)	Hose, Hyd, Med06, Jf06str/Jf06str, 033.0	1
4	396255	(000000–)	Hose, Hyd, Tc08, Jf08str/Jf08e90, 031.0	1
5	1026645	(000000–002282)	Hose, Hyd, Tc08, Jf08e45/Jf08str, 26.0	1
6	1023487	(000000–002092)	Hose, Hyd, Med12, Jf12e90/Jf12str, 50.0	1
7	1023607	(000000–)	Hose, Hyd, Med08, Jf08str /Jf08e45, 21.0	1
8	1036710	(000000–)	Hose, Hyd, Suc20, Jf20Str/Jf20E90, 030.0	1
9	1023606	(000000–002282)	Hose, Hyd, Tc08, Jf08str/Jf08str, 21.0	1
10	71735	(000000–)	Hose, Hyd, Med06, Jf06e90/Jf06str, 042.0	1
11	1025547	(000000–)	Hose, Hyd, Med10, Jf10str/Jf10str, 41.0	1
12	396438	(000000–002092)	Hose, Hyd, Tc12, Jf12e90/Jf12str, 044.0	1
13	1050437	(002093–004999)	Hose, Hyd, Med12, Jf12str/Jf12str, 052.0	1
13	1028145	(005000–)	Hose, Hyd, Med12, Jf12str/Jf12str, 066.0	1
14	1050436	(002093–)	Hose, Hyd, Med12, Jf12e90/Jf12str, 029.0	1
15	1026645	(002283–)	Hose, Hyd, Tc08, Jf08E45/Jf08Str, 026.0	1
16	1023606	(002283–)	Hose, Hyd, Tc08, Jf08Str/Jf08Str, 021.0	1

Fig. 76 – Hydraulic Hose Group, Cylindrical Brush

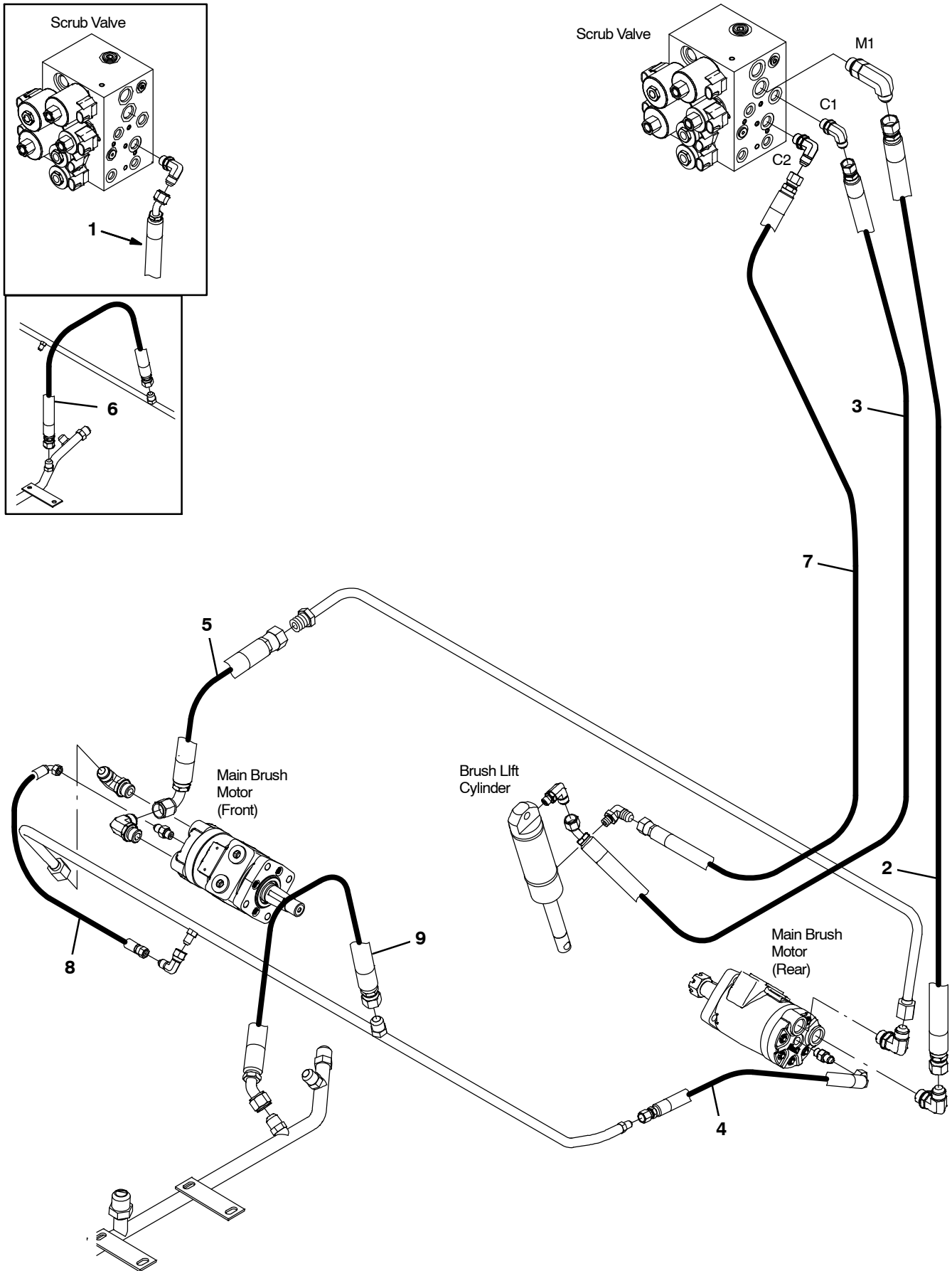


Fig. 76 – Hydraulic Hose Group, Cylindrical Brush

Ref.	Part No.	Serial Number	Description	Qty.
1	1025548	(000000-001037)	Hose, Hyd, Tc06, Jf06str /Jf06e45, 54.0	1
2	1024764	(000000-	Hose, Hyd, Tc08, Jf08str/Jf08str, 48.0	1
3	1023769	(000000-	Hose, Hyd, Tc 06, Jf06str /Jf06e45, 56.0	1
4	57946	(000000-	Hose, Hyd, Med04, Jf04e90/Jf04str, 016.0	1
5	1025544	(000000-	Hose, Hyd, Tc08, Jf08e90/Jf08str, 13.0	1
6	51754	(000000-004999)	Hose, Hyd, Med08, Jf08str/Jf08str, 022.0	1
7	1036939	(001038-	Hose, Hyd, Tc06, Jf06Str/Jf06Str, 054.0	1
8	387281	(002097-	Hose, Hyd, Tc04, Jf04e90/Jf04str, 020.0	1
9	364978	(005000-005833)	Hose, Hyd, Med08, Jf08e45/Jf08str, 029.0	1
9	1041391	(005834-	Hose, Hyd, Tc08, Jf08e45/Jf08str, 018.0	1

Fig. 77 – Hydraulic Hose Group, Disk Brush

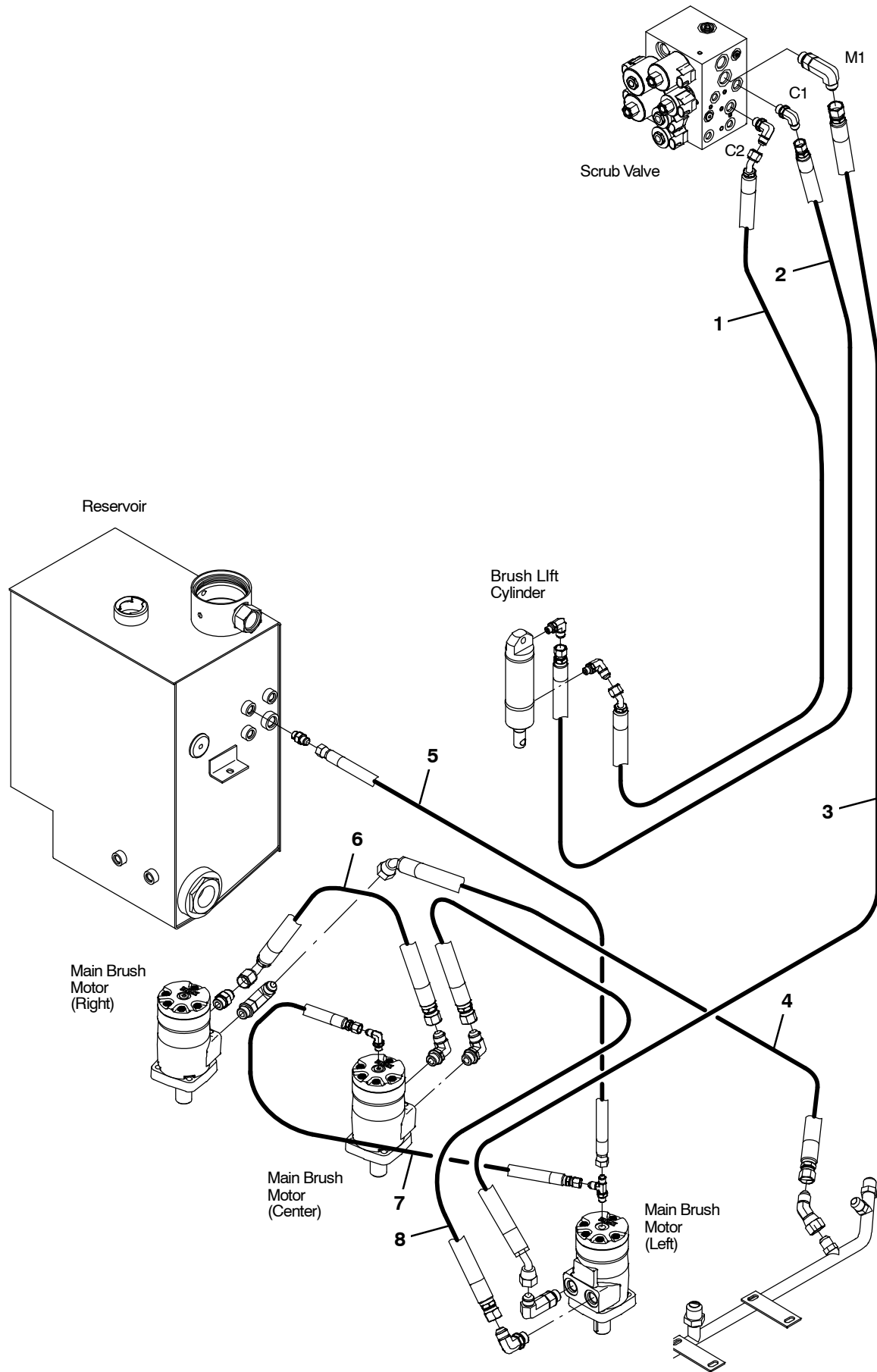


Fig. 77 – Hydraulic Hose Group, Disk Brush

Ref.	Part No.	Serial Number	Description	Qty.
1	1025548	(000000–) Hose, Hyd, Tc06, Jf06str /Jf06e45, 54.0	1
2	1023769	(000000–) Hose, Hyd, Tc 06, Jf06str /Jf06e45, 56.0	1
3	381854	(000000–) Hose, Hyd, Tc08, Jf08e45/Jf08str, 052.0	1
4	16462	(000000–) Hose, Hyd, Med08, Jf08e45/Jf08str, 046.0	1
5	381866	(000000–) Hose, Hyd, Tc04, Jf04str/Jf04str, 036.0	1
6	396278	(000000–) Hose, Hyd, Tc08, Jf08e90/Jf08str, 020.0	1
7	381866	(000000–) Hose, Hyd, Tc04, Jf04str/Jf04str, 036.0	1
8	365009	(000000–) Hose, Hyd, Tc08, Jf08str/Jf08str, 040.0	1

Fig. 78 – Hydraulic Hose Group, Squeegee Lift

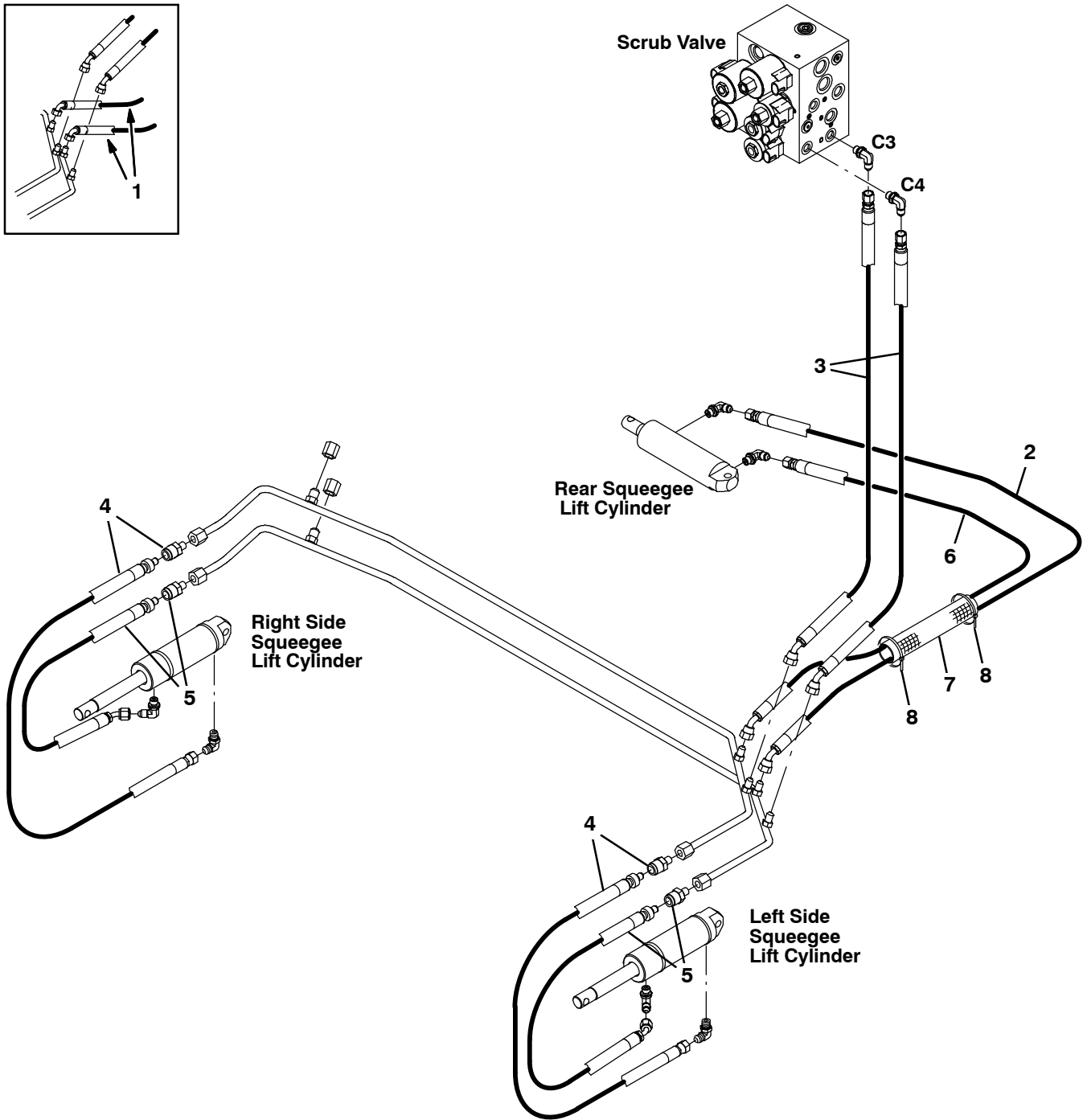


Fig. 78 - Hydraulic Hose Group, Squeegee Lift

Ref.	Part No.	Serial Number	Description	Qty.
1	9006562	(000000-002121)	Hose Kit, Hyd, Sqge Lift [T20]	1
2	1055588	(002122-) Hose, Hyd, Tc04, Jf04e45/Jf04str, 044.0	1
3	1030709	(000000-) Hose, Hyd, Tc 04, Jf04str /Jf04e45 , 35.0	2
4	1045759	(001755-) Hose, Hyd, Tc04, Jf04Str/Qm06, 028.0	2
4	1037042	(000000-001754)	Hose, Hyd, Tc04, Jf04E45/Qm06, 028.0	2
5	1036899	(000000-) Hose, Hyd, Tc04, Jf04E45/Qm06, 024.0	2
6	1055590	(002122-) Hose, Hyd, Tc04, Jf04e45/Jf04str, 048.0	1
7	57223	(002122-) Sleeve, Nyl, 1.22id 14.0l	1
8	49266	(002122-) Tie, Cable, Nyl, 07.3l .19w 1.8 Max D	2

Fig. 79 – Hydraulic Pumps Group

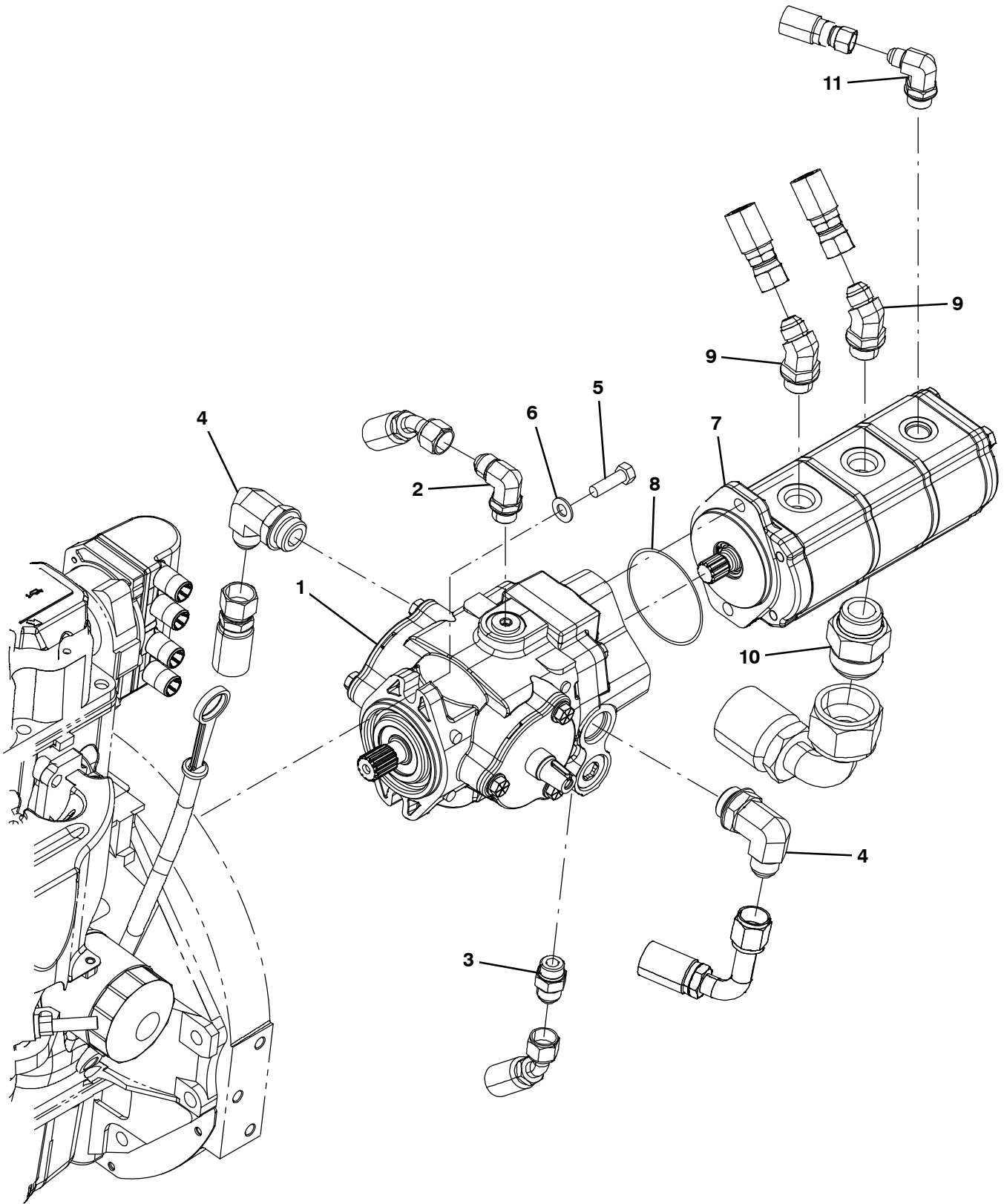


Fig. 79 – Hydraulic Pumps Group

Ref.	Part No.	Serial Number	Description	Qty.
1	1024251	(000000–) Pump, Hyd, Piston, Var, 1.24 4000, Cw (See Breakdowns)	1
2	44868	(000000–) Fitting, Hyd, E90, Jm08/Om08	1
3	44869	(000000–) Fitting, Hyd, Str, Jm08/Om08	1
4	53076	(000000–) Fitting, Hyd, E90, Jm10/Om12	2
5	21198	(000000–) Screw, Hex, .38–16 X 1.25, 5	2
6	32485	(000000–) Washer, Flat, 0.38 Sae	2
7	9007142	(000000–) Pump Kit, Mtg, Aux, Ci [M20 & T20]	1
8	65145–1	(000000–) Seal, Org, .069 X 3.06id	1
9	47513	(000000–) Fitting, Hyd, E45, Jm08/Om10	2
10	67811	(000000–) Fitting, Hyd, Str, Jm20/Om16	1
11	47512	(000000–) Fitting, Hyd, E90, Jm06/Om08	1

Fig. 80 – Hydraulic Cooler and Tubes Group

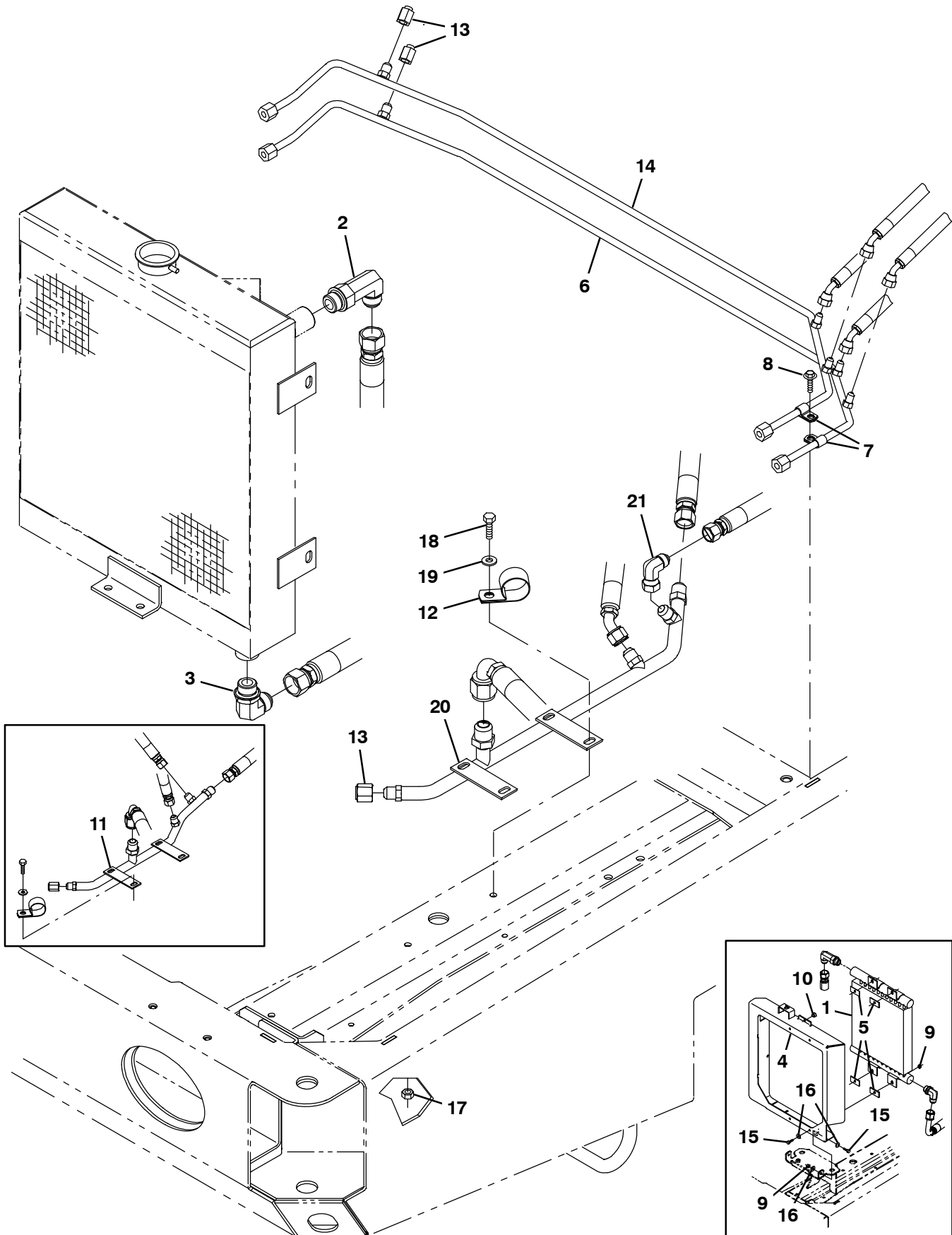


Fig. 80 – Hydraulic Cooler and Tubes Group

Ref.	Part No.	Serial Number	Description	Qty.
1	13698	(000000-002092)	Cooler, Hyd, 25gpm 325btu Of12 13x12x2	1
2	46481	(000000-)	Fitting, Hyd, E90, Jm12/Om12	1
3	62471	(000000-)	Fitting, Hyd, E90, Jm12/Om12, L	1
4	1026319	(000000-002092)	Bracket Wldt, Cooler, Hyd Fluid	1
5	1040318	(000000-002092)	Pad, Tank, Hyd [W/Psa]	4
6	1028822	(000000-)	Tube, Hyd, Sqge	1
7	40678	(000000-)	Clamp, Cable, Stl, 0.44d X 0.62w, 1h	2
8	74455	(000000-)	Screw, Hex, M6 X 1.0 X 12, Fmg	1
9	07791	(000000-002092)	Nut, Hex, Fing, M8 X 1.25	8
10	51787	(000000-002092)	Bumper, Rbr, 0.6d 0.34t .3d Tip	1
11	1023081	(000000-004999)	Tube, Hyd, Main Return [M20]	1
12	53466	(000000-)	Clamp, Cable, Stl, 1.50d X 1.00w, 1h	1
13	40625	(000000-)	Fitting, Hyd, Cap, Jf06	3
14	1028821	(000000-)	Tube, Hyd, Sqge	1
15	39277	(000000-002092)	Screw, Hex, M8 X 1.25 X 25, 8.8	8
16	32491	(000000-002092)	Washer, Flat, 0.31, Std	7
17	41430	(000000-)	Nut, Hex, Lock, M10 X 1.5, NI	2
18	39277	(000000-)	Screw, Hex, M8 X 1.25 X 25, 8.8	2
19	32491	(000000-)	Washer, Flat, 0.31, Std	2
20	1071173	(005000-)	Tube, Hyd, Main Return [G/Lp Mit2013]	1
21	17980	(005000-)	Fitting, Hyd, E90, Jf08/Jm08	1

Fig. 81 - Hydraulic Reservoir Group

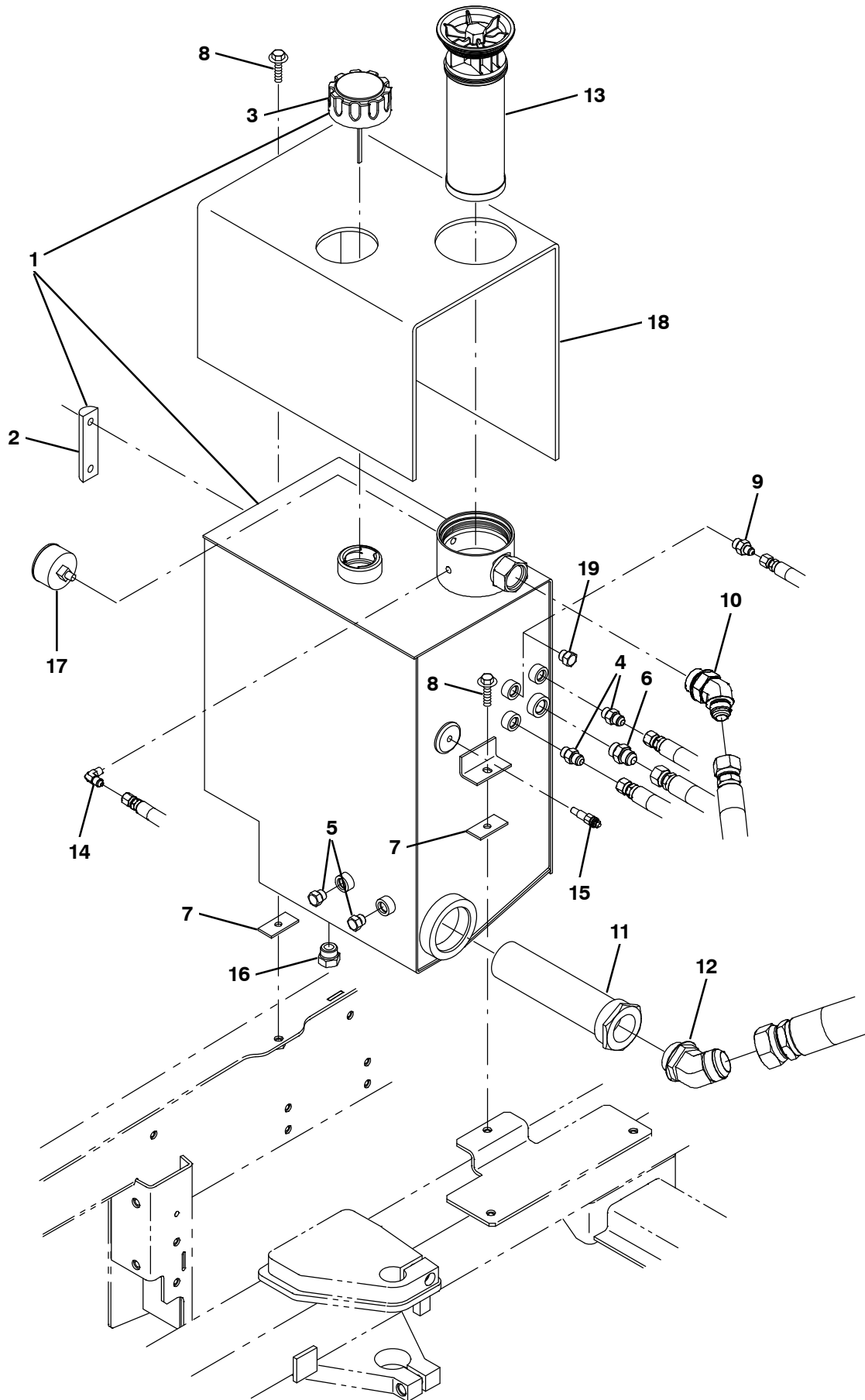


Fig. 81 - Hydraulic Reservoir Group

	Ref.	Part No.	Serial Number	Description	Qty.
▽	1	9002398	(000000-) Reservoir, Hyd, 10.0Gal, Replmt	1
▲	2	65215	(000000-) Gauge, Sensing, Level	1
▲	3	25122	(000000-) Cap, Breather, Hyd, 2.4 Ds	1
	4	56690	(000000-) Fitting, Hyd, Str, Jm06/Om06	2
	5	46482	(000000-) Fitting, Hyd, Plug, Om06	2
	6	44869	(000000-) Fitting, Hyd, Str, Jm08/Om08	1
	7	1040318	(000000-) Pad, Tank, Hyd [W/Psa]	2
	8	1037354	(000000-) Screw, Hex, M8 X 1.25 X 30, 9.8, Sems	2
	9	55685	(000000-) Fitting, Hyd, Str, Jm04/Om06 (Disk Scrub Head Only)	1
	10	1023545	(000000-) Fitting, Hyd, E45, Jm12/Om16	1
	11	31613	(000000-) Strainer, Hyd, 25gpm 100mesh Psi	1
	12	71726	(000000-) Fitting, Hyd, E45, Jm20/Om20	1
	13	1021579	(000000-) Filter Assy, Hyd, 10mic	1
	14	55455	(000000-) Fitting, Hyd, E90, Jm04/Pm02	1
	15	58592	(000000-) Send-Unit, Water, Temp, 04npt 113oh/195d	1
	16	40362	(000000-) Fitting, Hyd, Plug, Om10	1
	17	1025132	(000000-) Indicator, Press, 60psi	1
	18	1034878	(000000-) Insulation, Thermal, Hydraulic Blanket	1
	19	46482	(000000-) Fitting, Hyd, Plug, Om06 (Cylindrical Scrub Head Only)	1

Fig. 82 – Hydraulic Valve Group

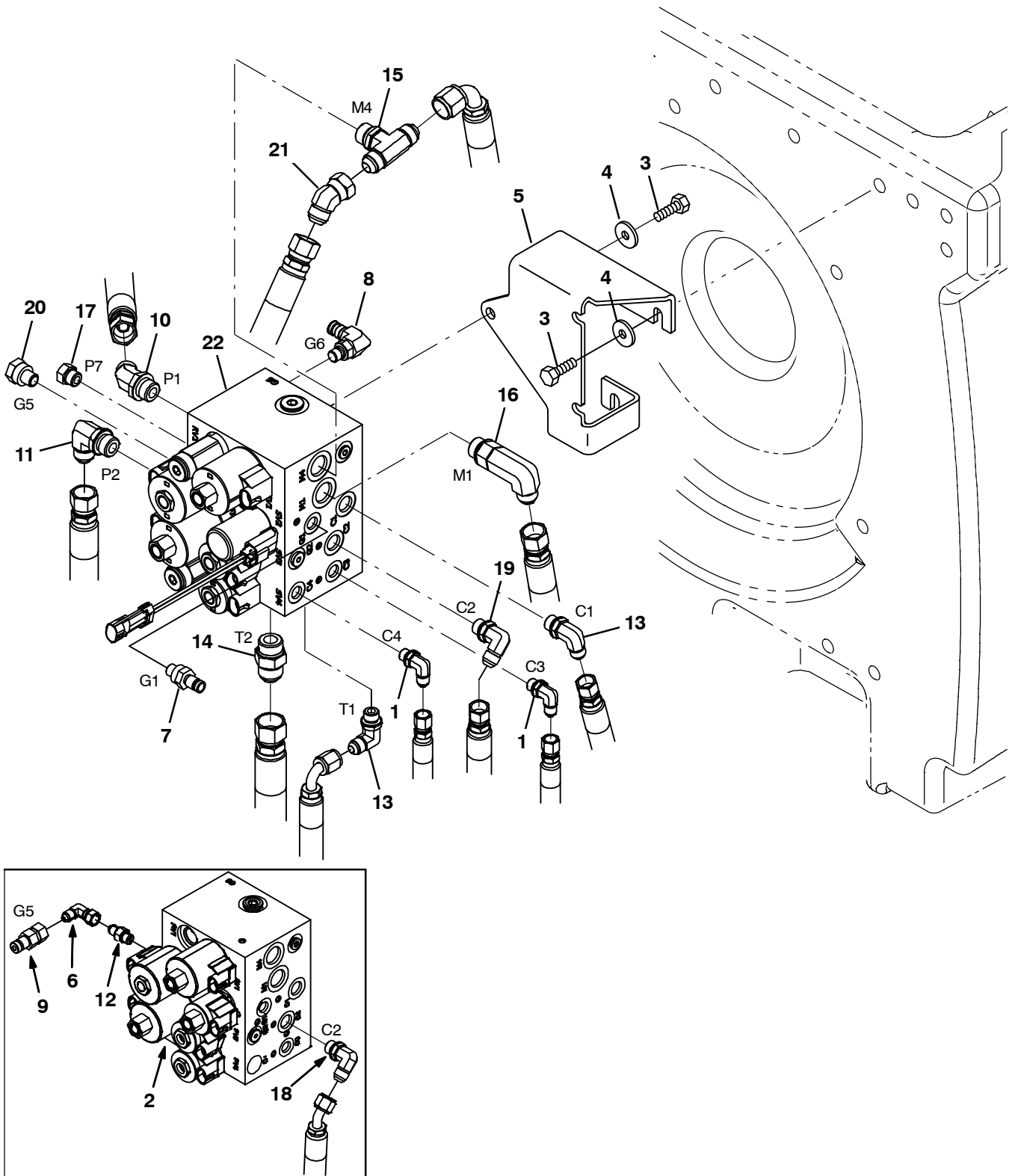
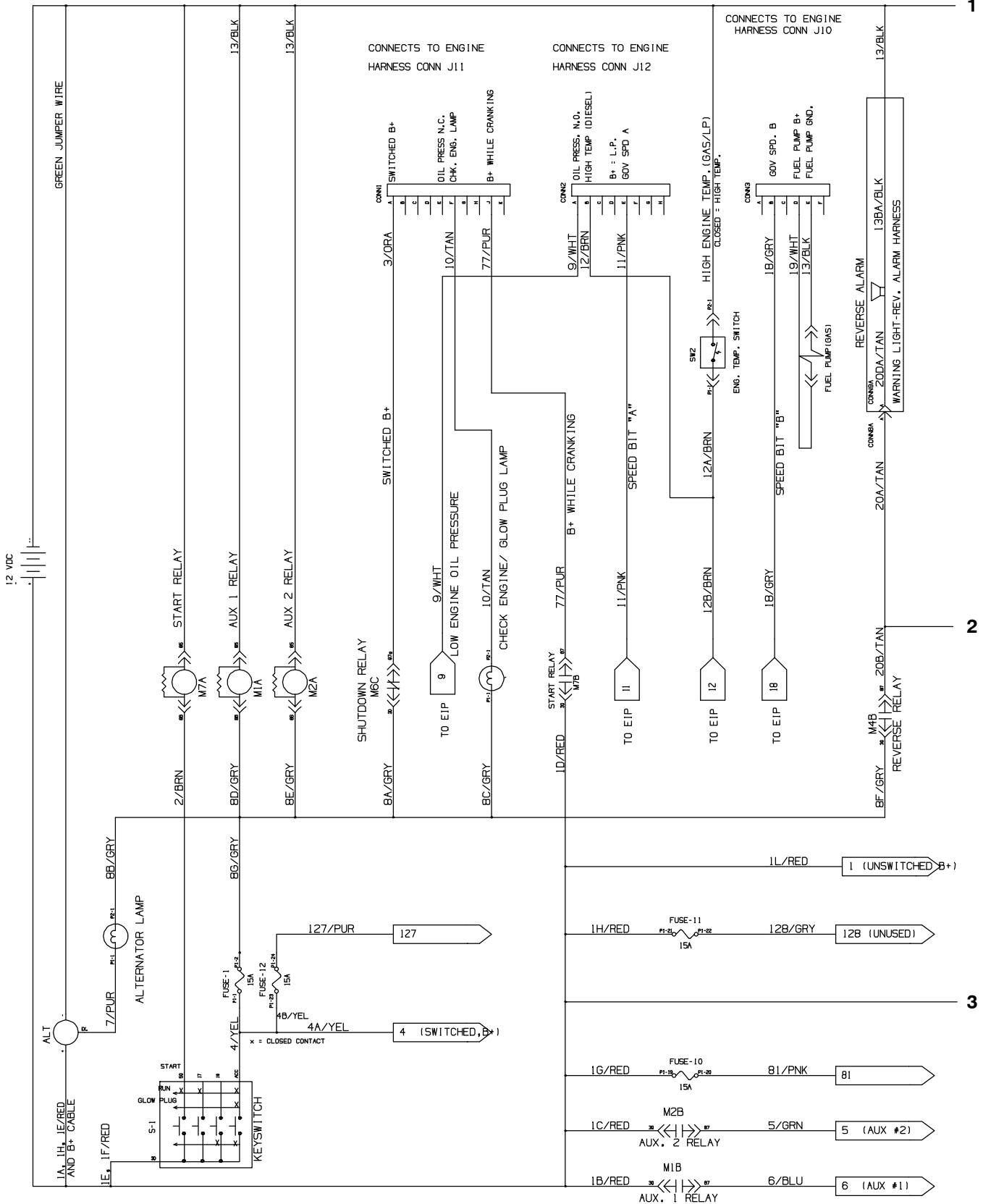


Fig. 82 – Hydraulic Valve Group

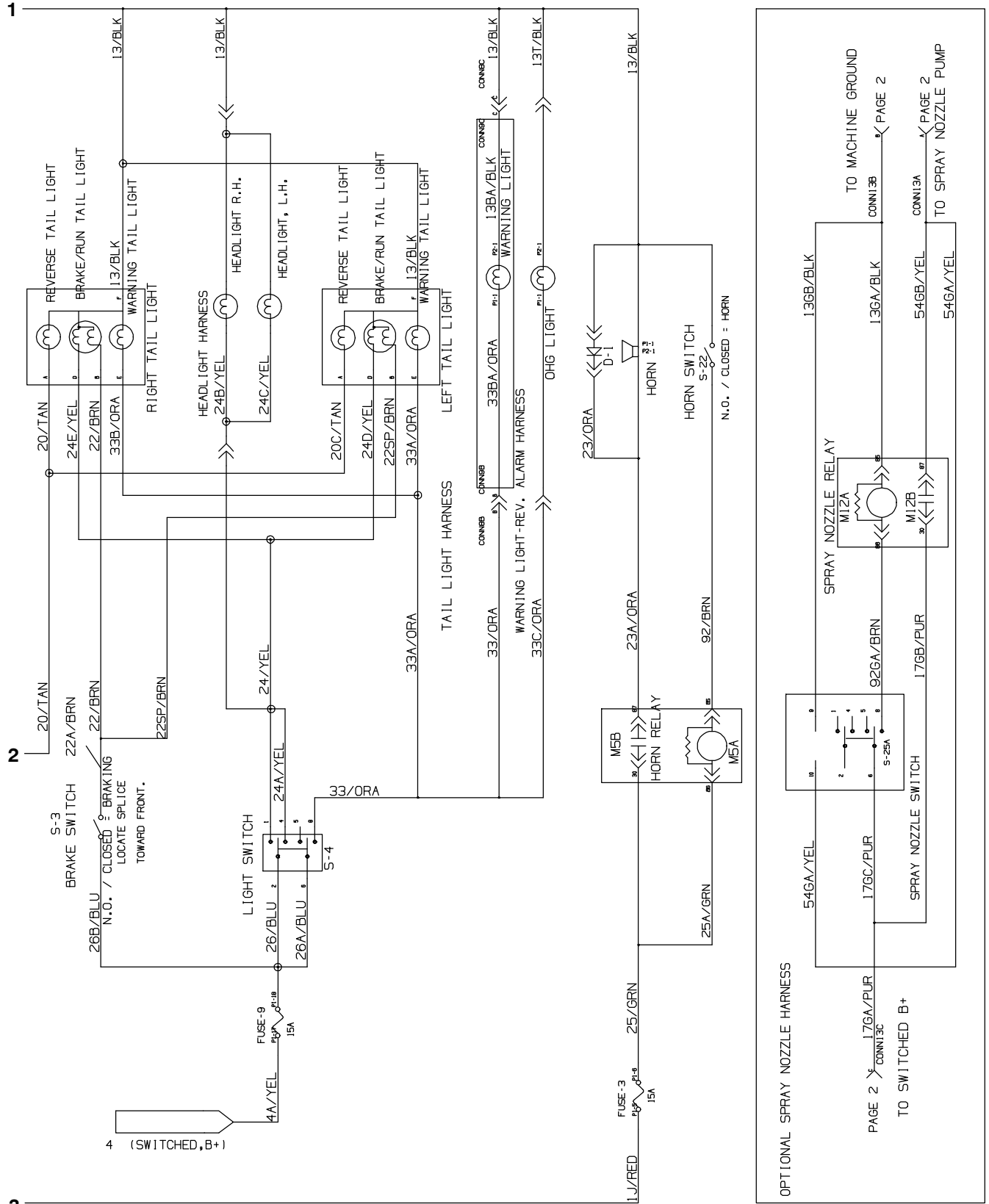
Ref.	Part No.	Serial Number	Description	Qty.
1	77097	(000000–)	Fitting, Hyd, E90, Jm04/Om04	2
2	1020394	(000000–005300)	Valve, Cntrl, Hyd (See Breakdowns)	1
3	09740	(000000–)	Screw, Hex, M8 X 1.25 X 20, Ss	6
4	1017218	(000000–)	Washer, Flat, 0.32b 1.00d .12, Ss	6
5	1021991	(000000–)	Bracket, Mtg, Valve, Hyd, Scb	1
6	39210	(000000–001018)	Fitting, Hyd, E90, Jf04/Jm04	1
7	395973	(000000–)	Fitting, Hyd, Str, Om04/Qm04	1
8	395974	(000000–)	Fitting, Hyd, E90, Om04/Qm04	1
9	396476	(000000–001018)	Fitting, Hyd, Str, Jf04/Qm04	1
10	42226	(000000–)	Fitting, Hyd, E45, Jm08/Om08	1
11	44868	(000000–)	Fitting, Hyd, E90, Jm08/Om08	1
12	55586	(000000–001018)	Fitting, Hyd, Str, Jm04/Om04	1
13	56820	(000000–)	Fitting, Hyd, E90, Jm06/Om06	2
14	46480	(000000–)	Fitting, Hyd, Str, Jm10/Om10	1
15	49933	(000000–)	Fitting, Hyd, Tee, Jm08/Jm08/Om08, Br	1
16	69173	(000000–)	Fitting, Hyd, E90, Jm08/Om08, L	1
17	46482	(000000–)	Fitting, Hyd, Plug, Om06	1
18	56820	(000000–001037)	Fitting, Hyd, E90, Jm06/Om06	1
19	71727	(001038–)	Fitting, Hyd, E90, Jm06/Om06, L	1
20	395973	(001019–)	Fitting, Hyd, Str, Om04/Qm04	1
21	07797	(005000–)	Fitting, Hyd, E45, Jf08/Jm08	1
22	1072996	(005301–)	Valve, Cntrl, Hyd, Solenoid, 12vdc 08gpm (See Breakdowns)	1

Fig. 83 – GM Electrical Schematic (00000–001499)



354405 – 1029601

Fig. 83 - GM Electrical Schematic (00000-001499)



354405 - 1029601

STANDARD PARTS

Fig. 83 – GM Electrical Schematic (00000–001499)

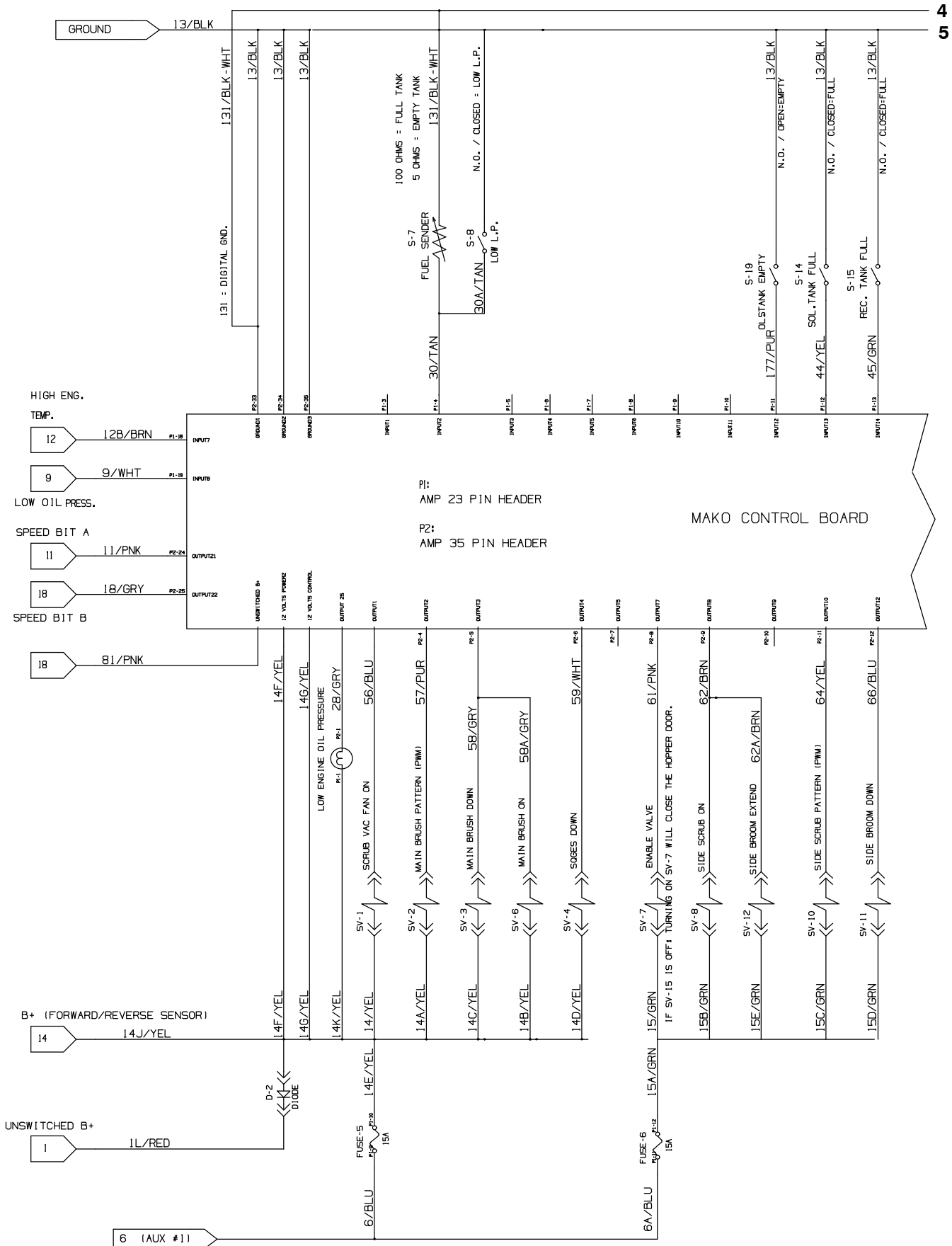
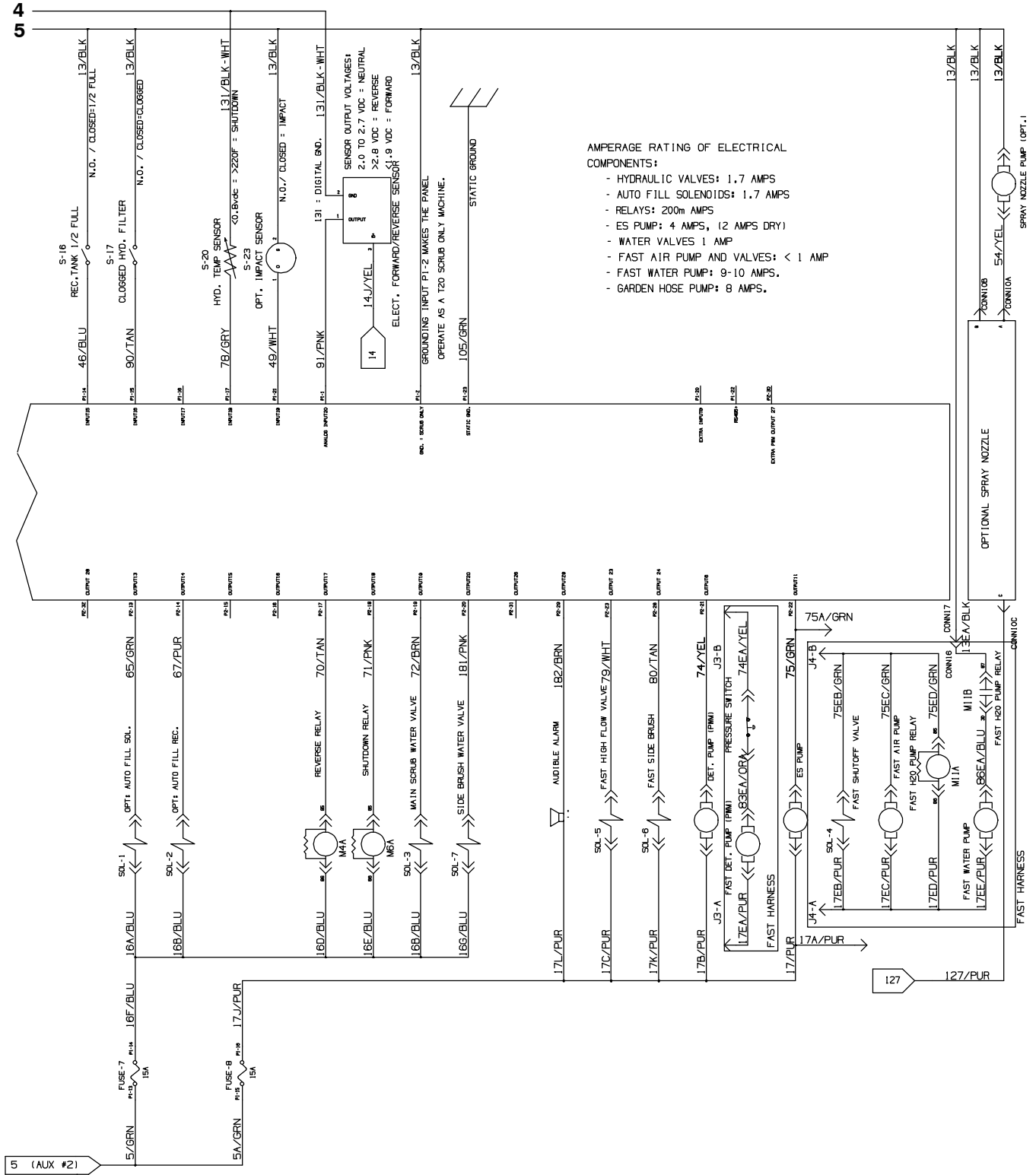


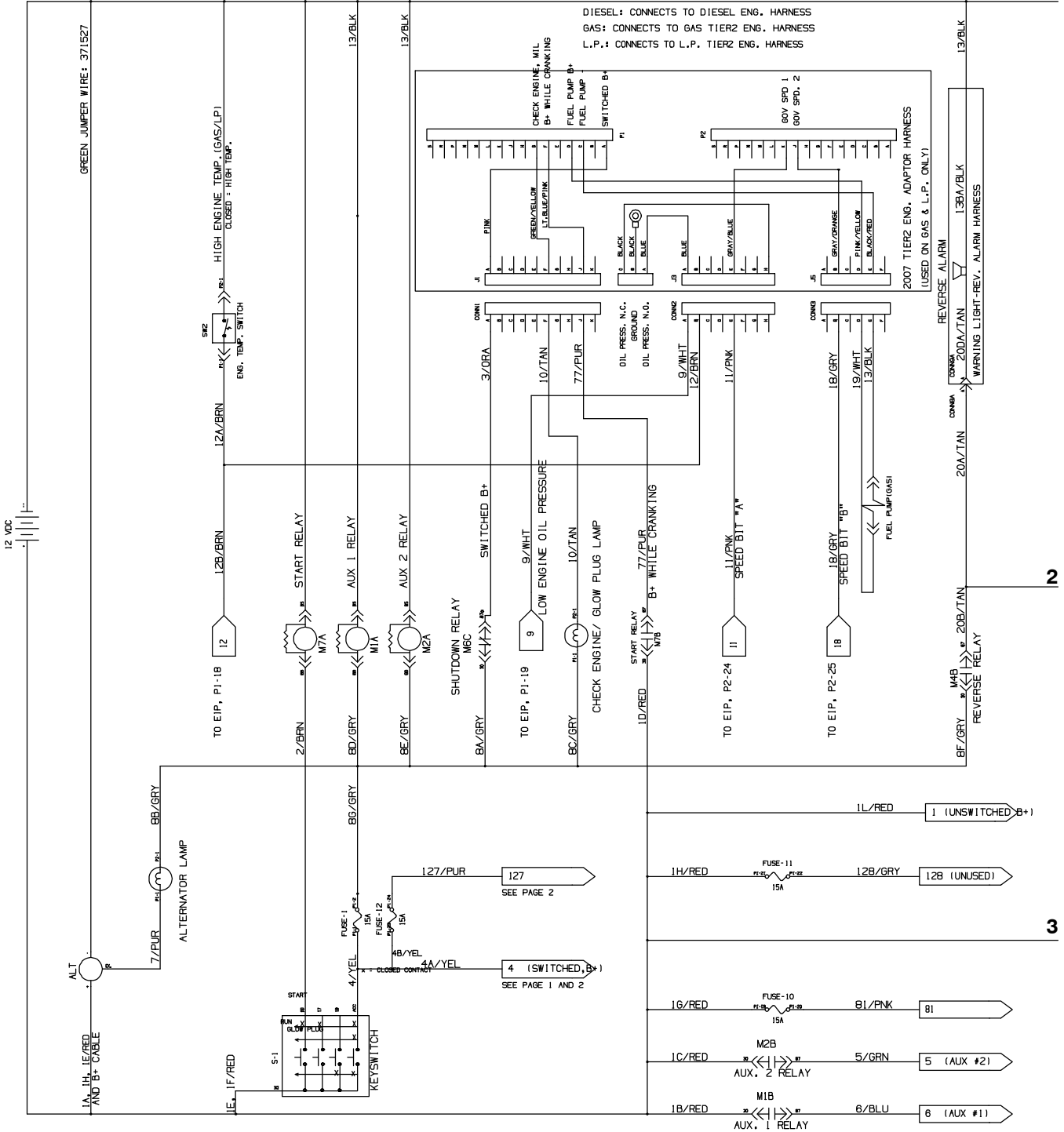
Fig. 83 -GM Electrical Schematic (00000-001499)



354405 - 1029601

Fig. 84 – GM Electrical Schematic (001500–001742)

1



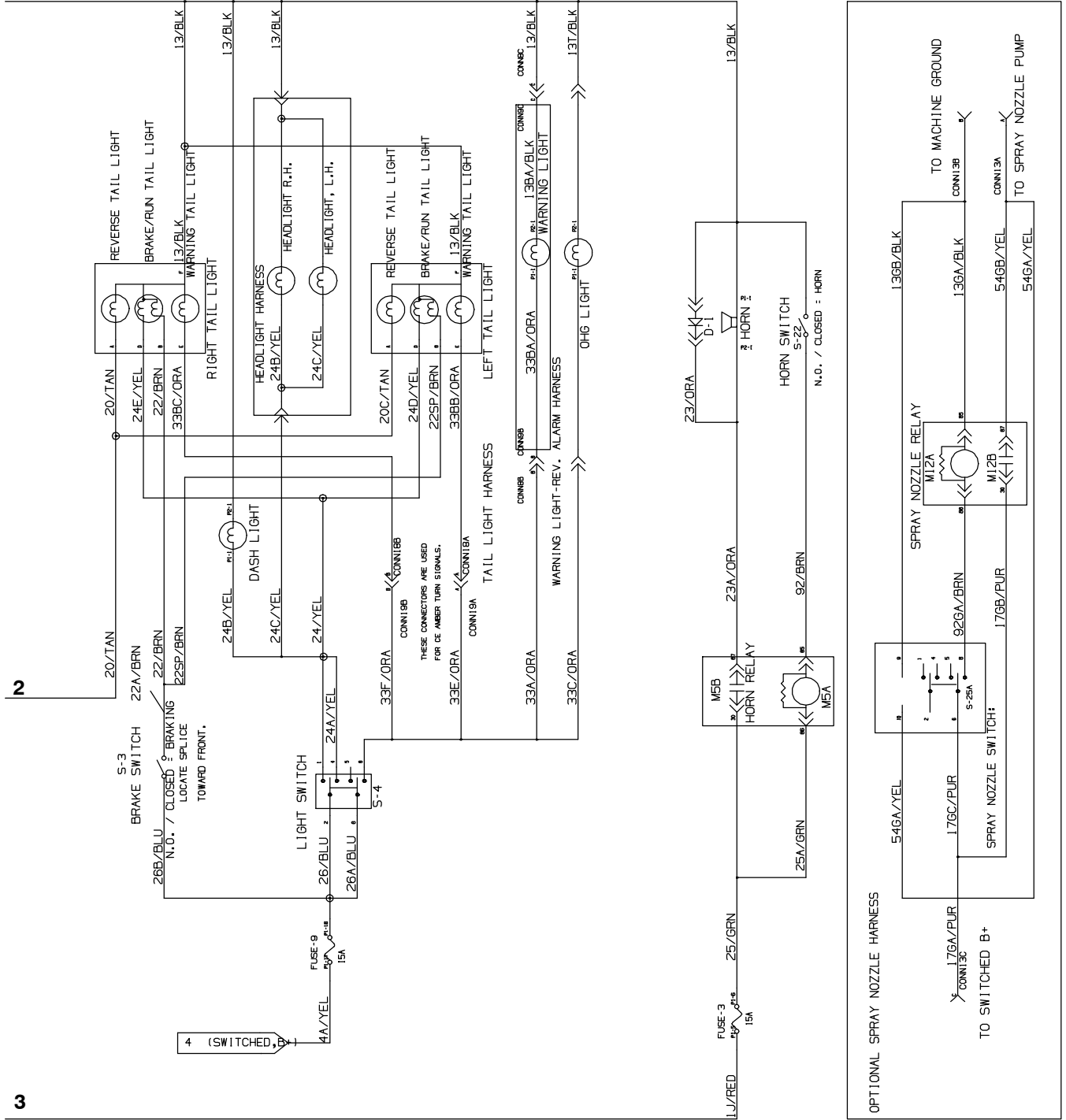
2

3

354405 – 1029601

Fig. 84 - GM Electrical Schematic (001500-001742)

1

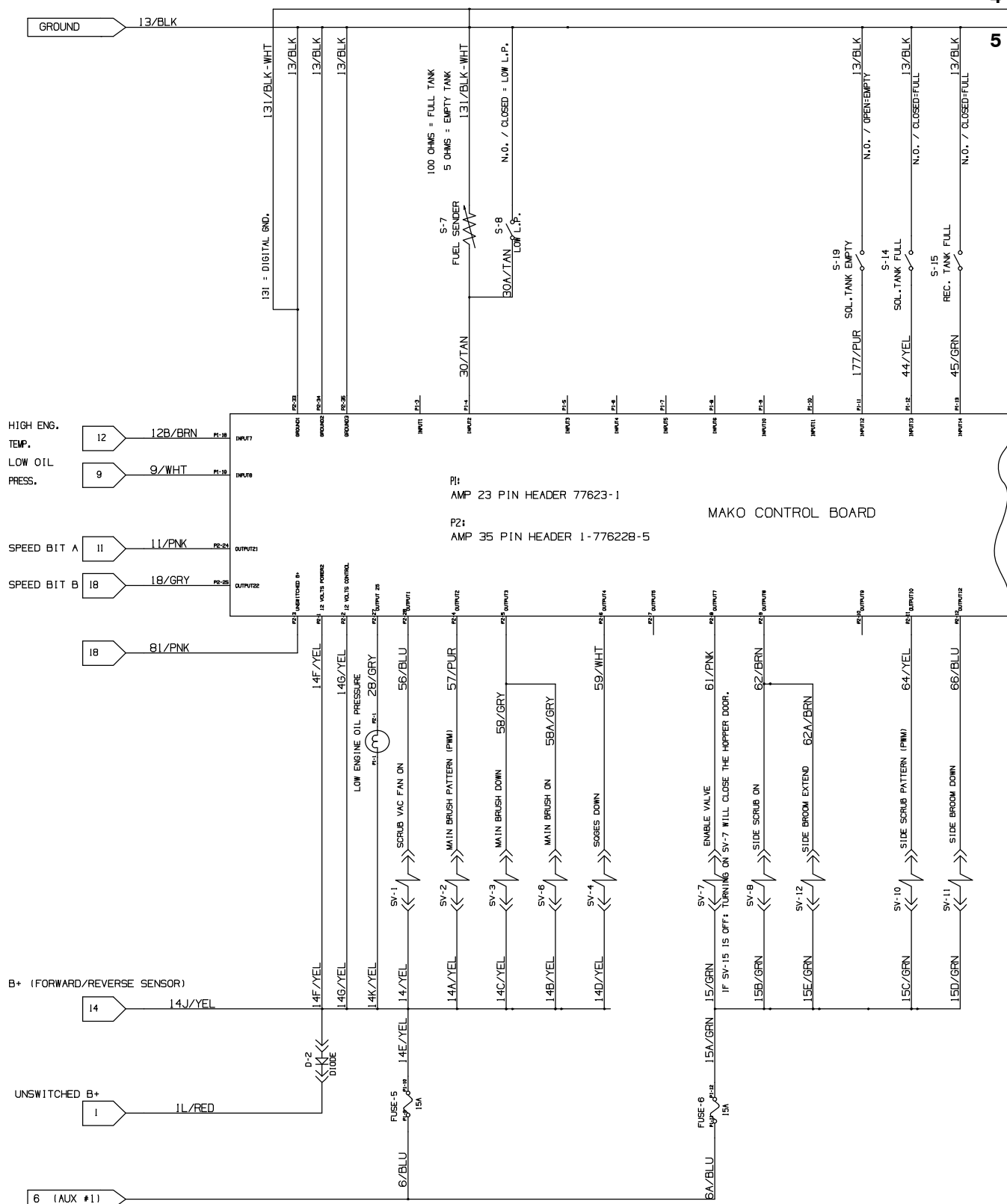


2

3

354405 - 1029601

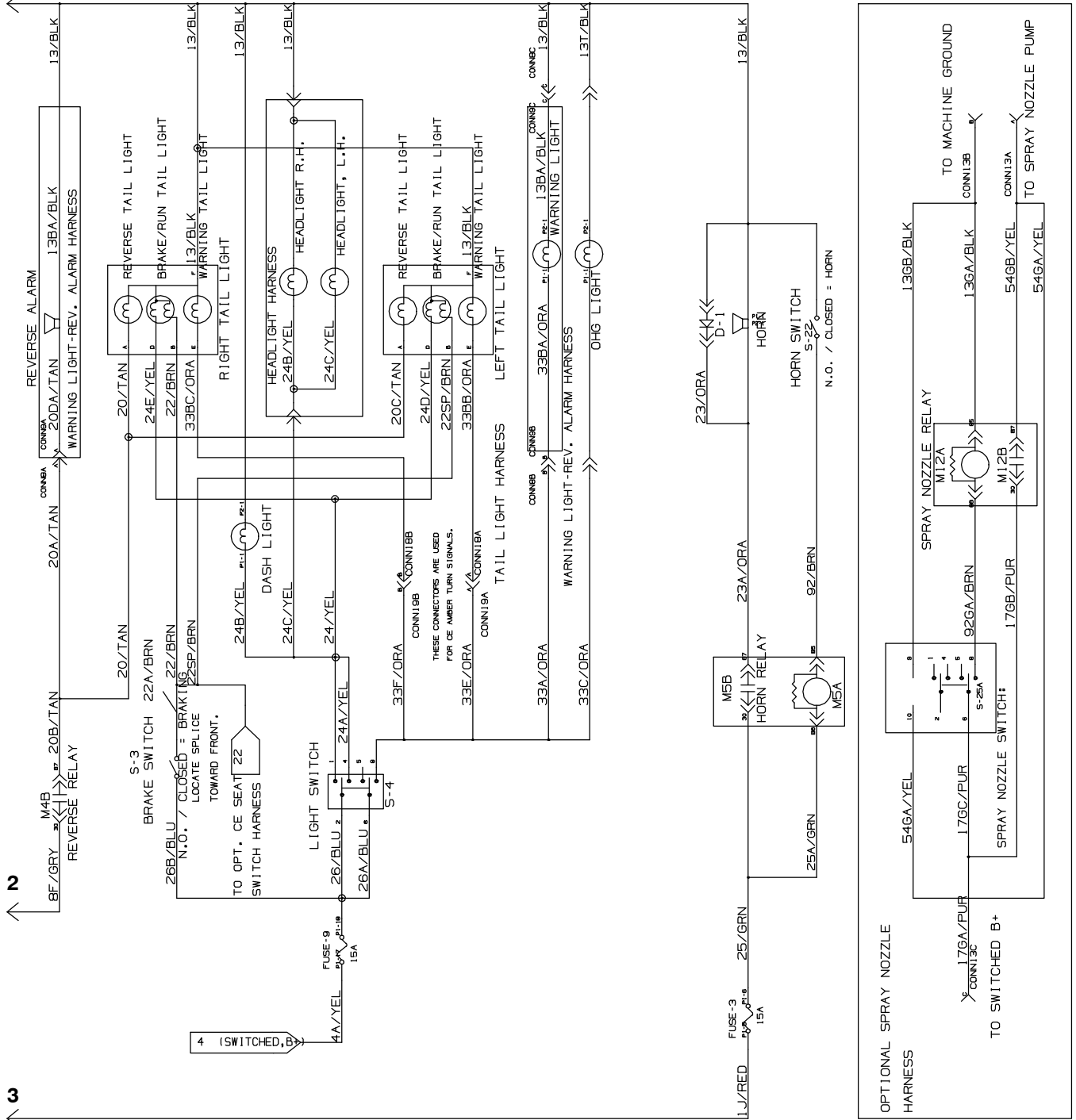
Fig. 84 – GM Electrical Schematic (001500-001742)



354405 - 1029601

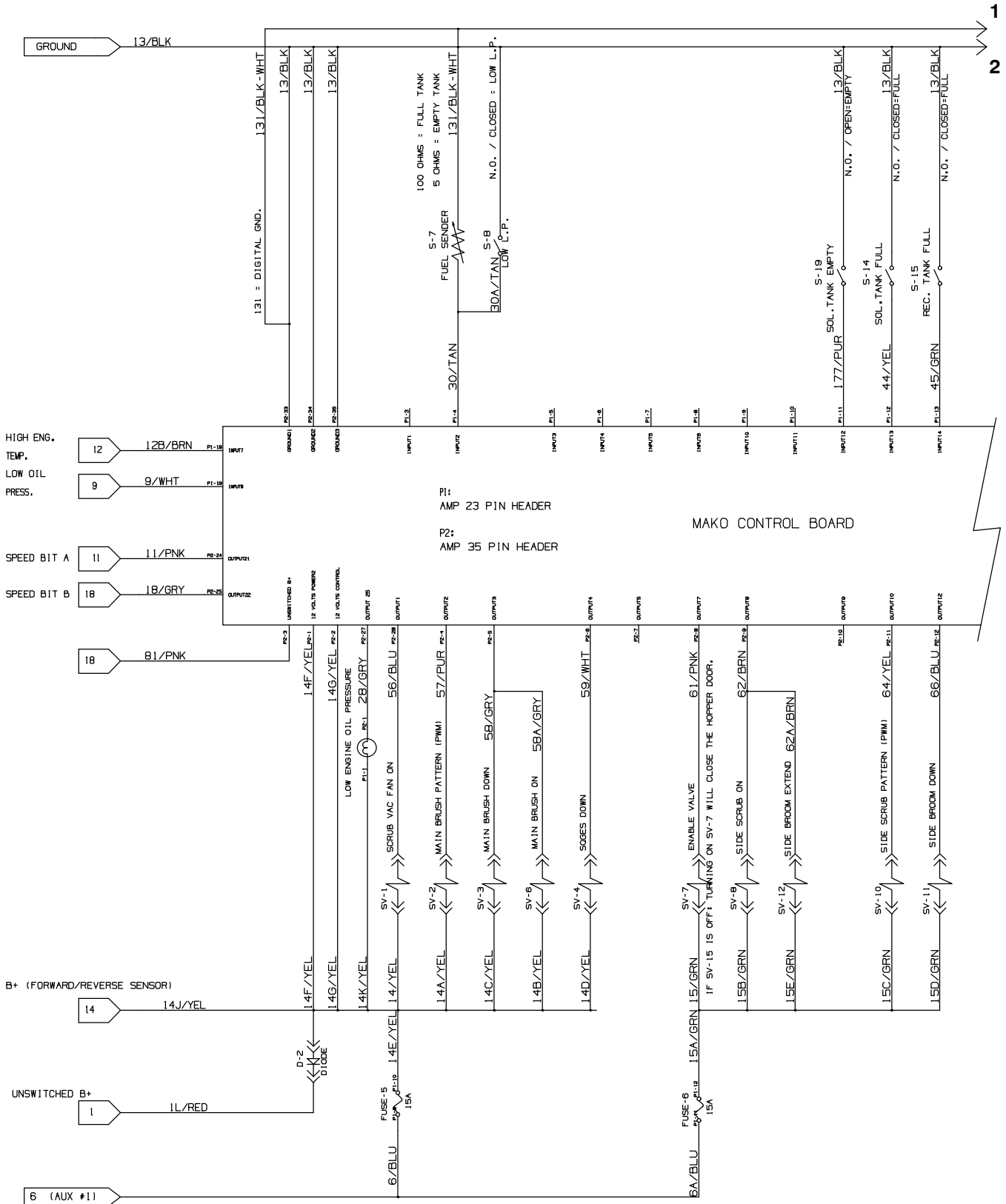
Fig. 85 - GM Electrical Schematic (001743-004999)

1



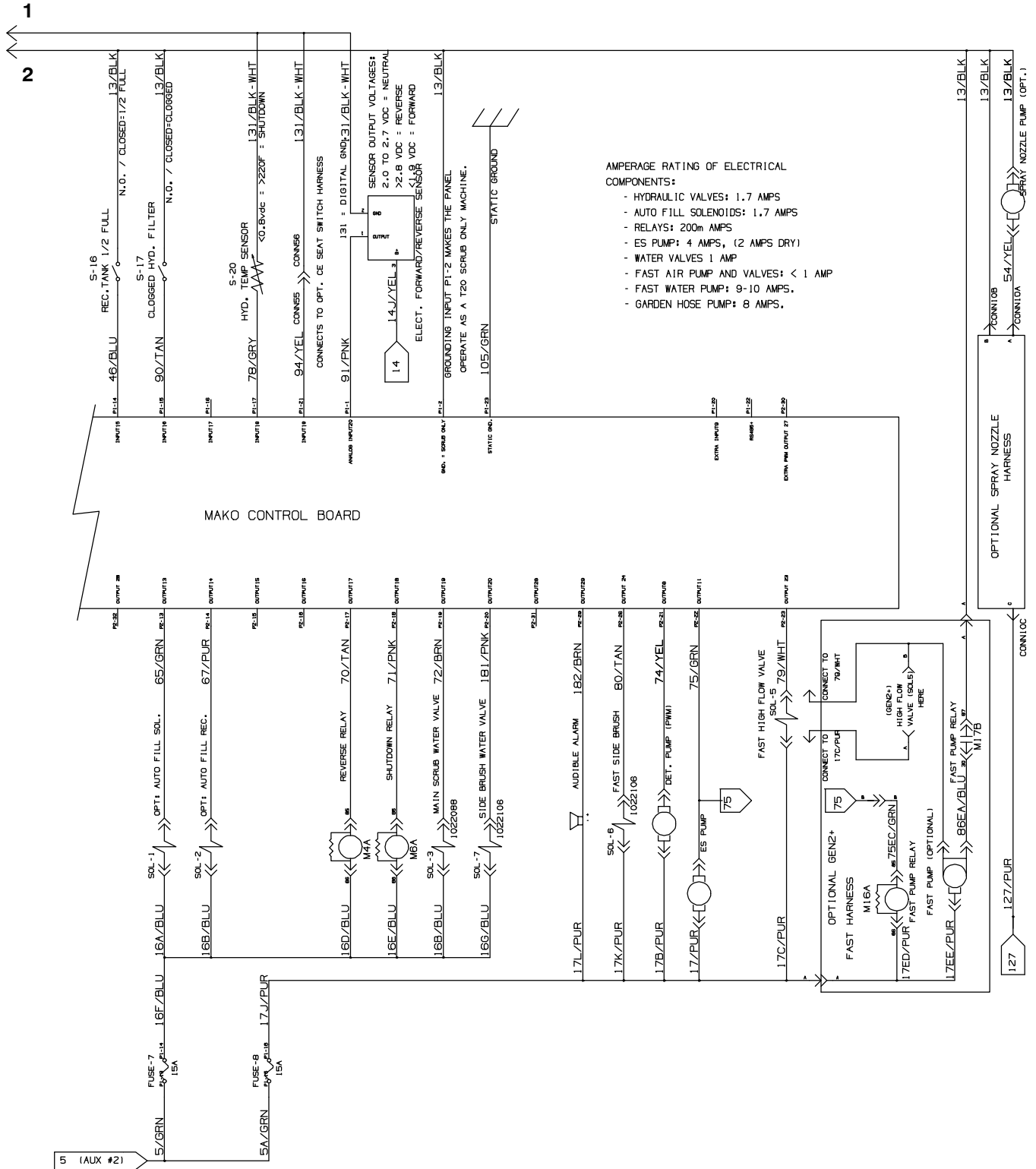
354405 - 1029601

Fig. 85 – GM Electrical Schematic (001743-004999)



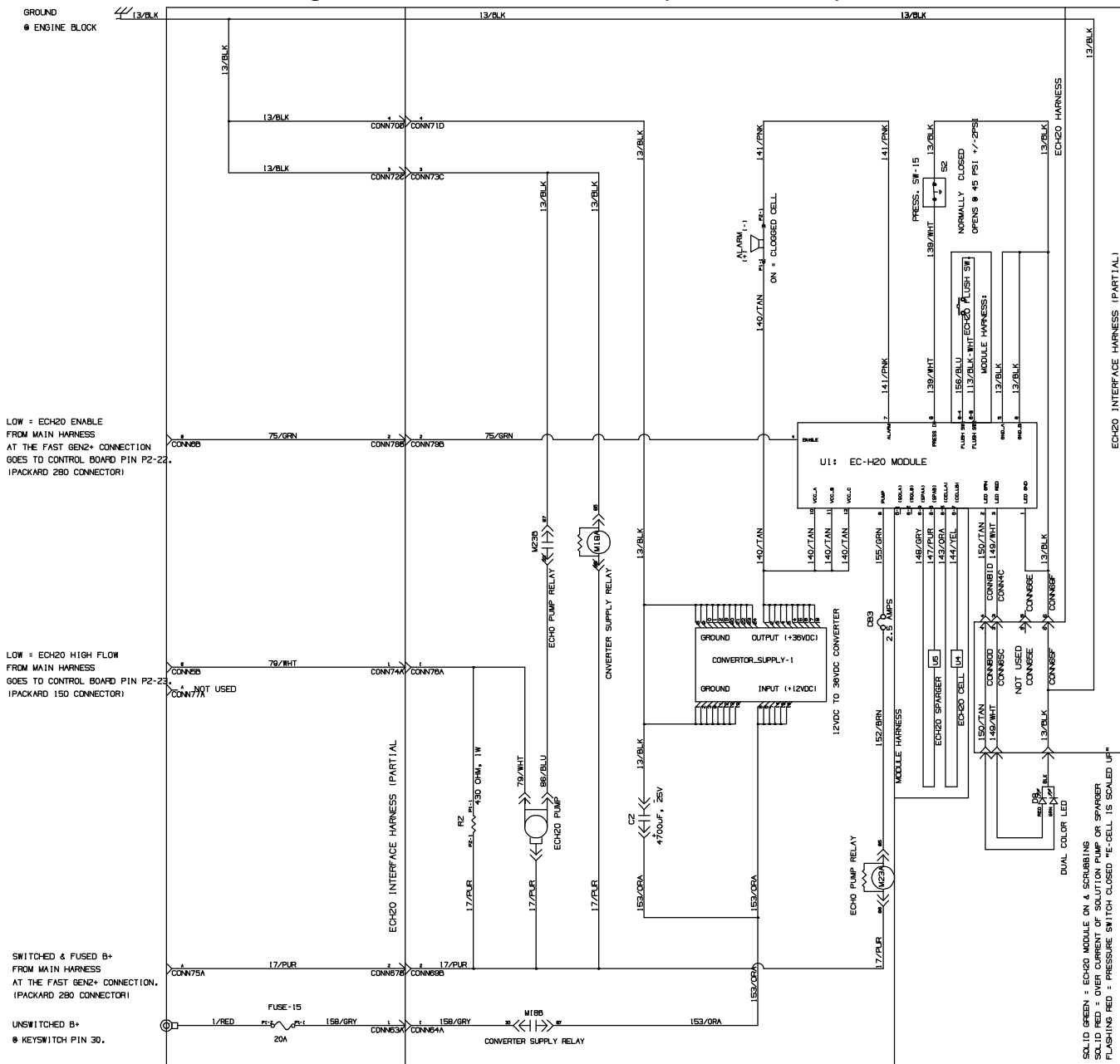
354405 – 1029601

Fig. 85 - GM Electrical Schematic (001743-004999)



354405 - 1029601

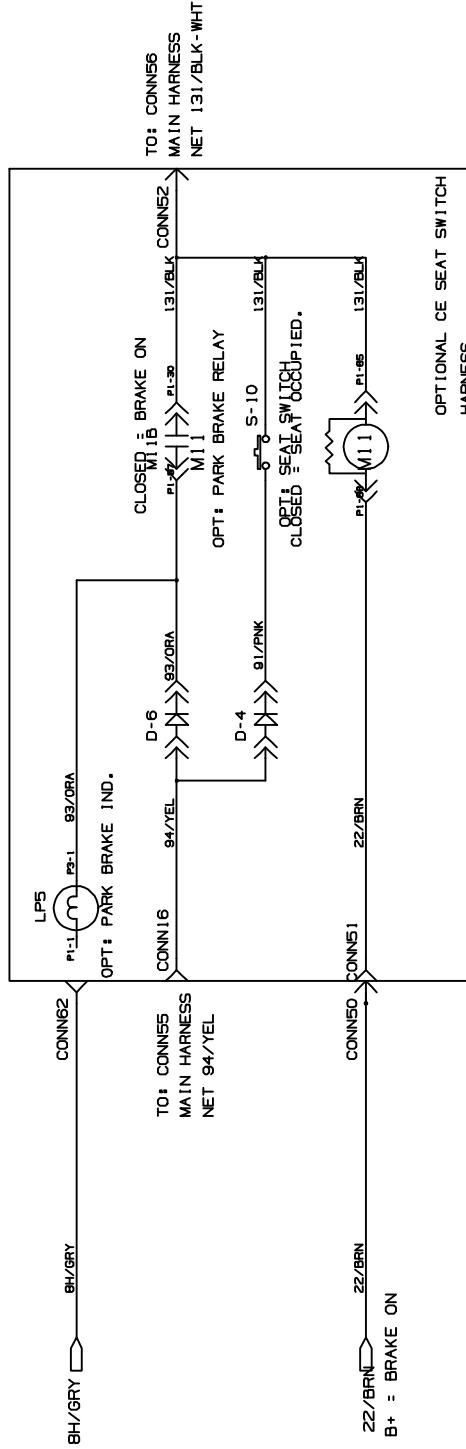
Fig. 85 – GM Electrical Schematic (001743-004999)



EC-H2O OPTION

354405 - 1029601

Fig. 85 – GM Electrical Schematic (001743-004999)



OPTIONAL CE SEAT SWITCH SHUTDOWN CIRCUIT.

354405 – 1029601

Fig. 86 – GM Electrical Schematic, Gasoline/LPG Engine Harness (000000-001499)

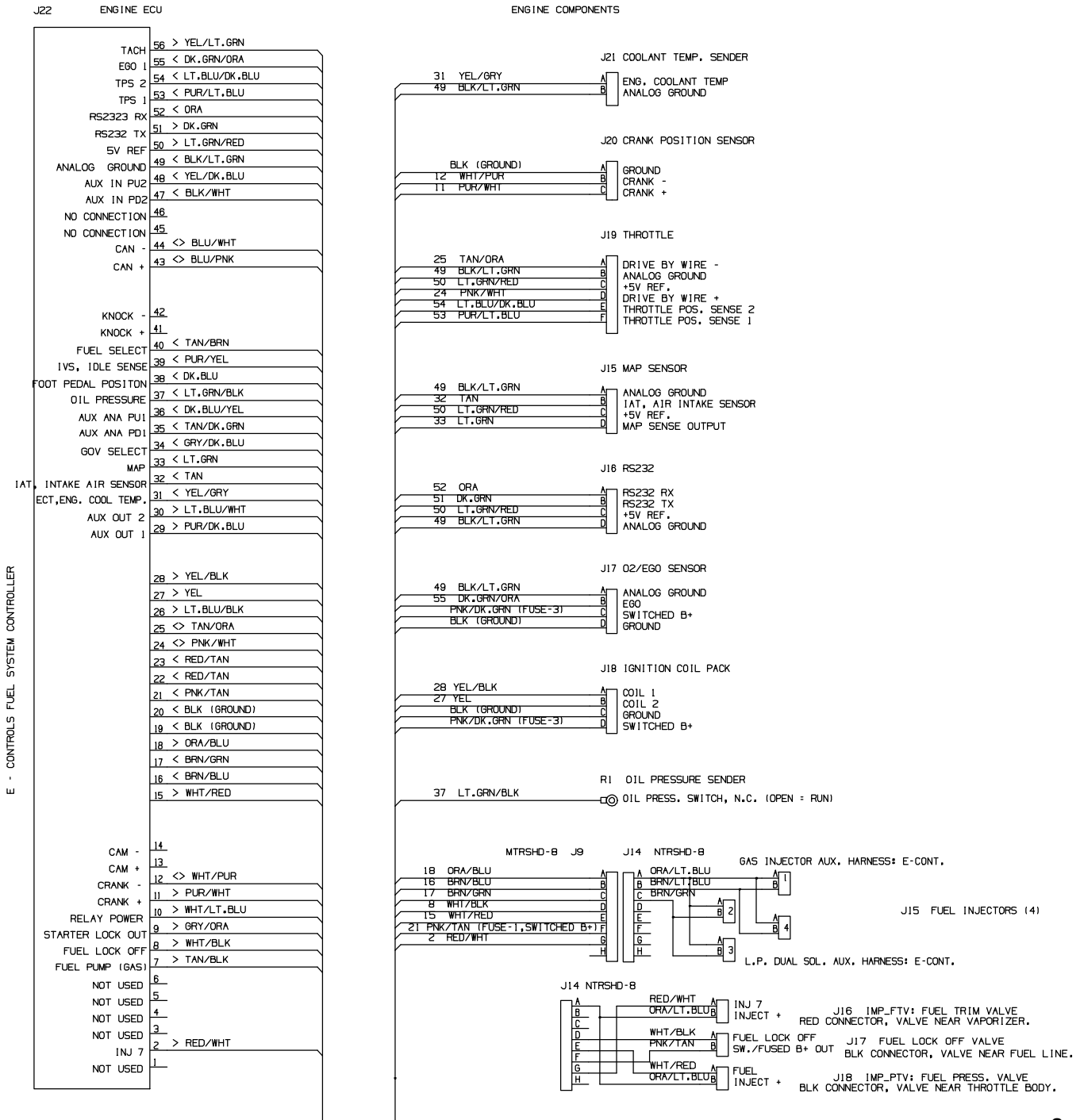
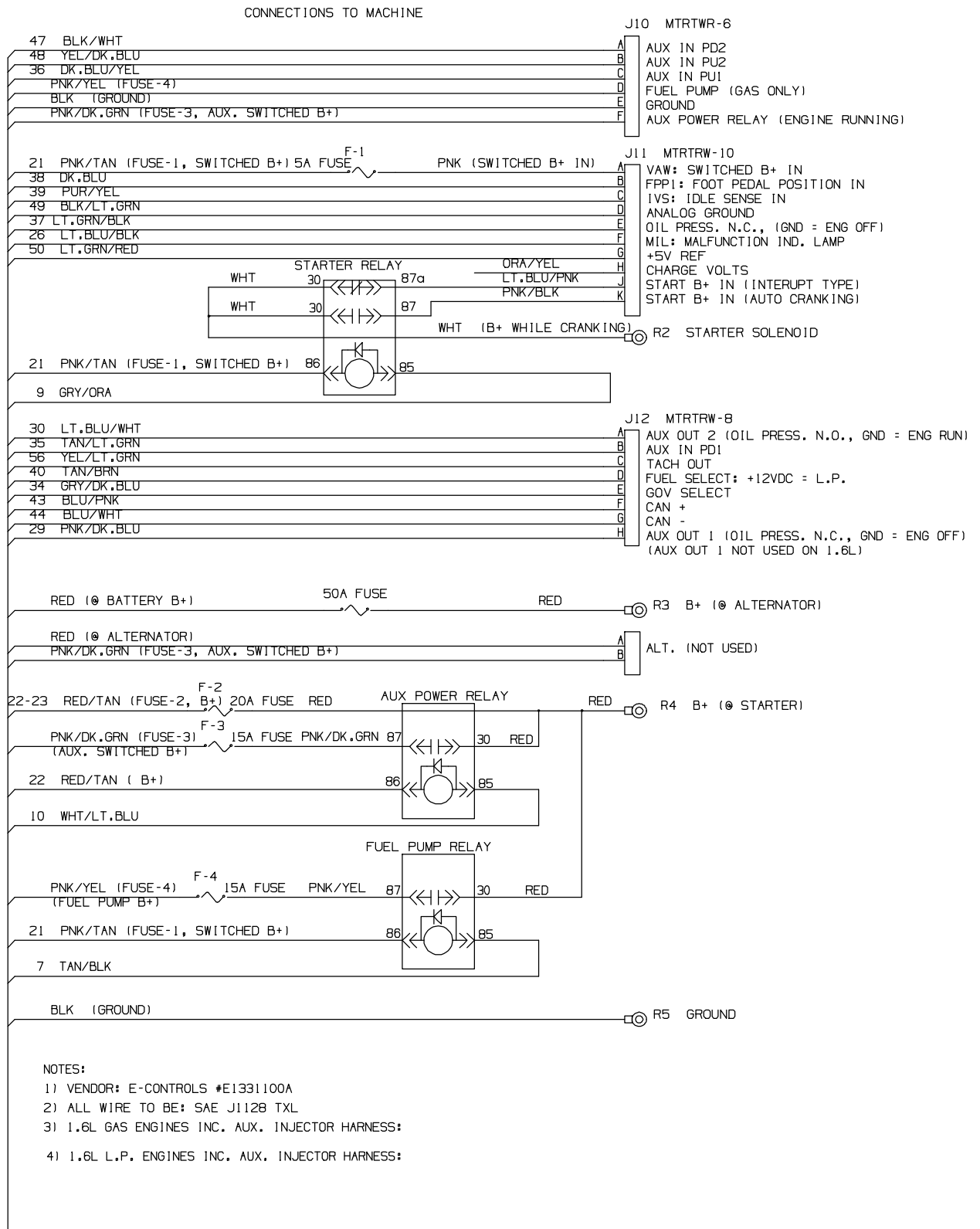


Fig. 86 – GM Electrical Schematic, Gasoline/LPG Engine Harness (000000-001499)



8

1029601

STANDARD PARTS

Fig. 87 – GM Electrical Schematic, Gas Engine Harness (001500–002140)

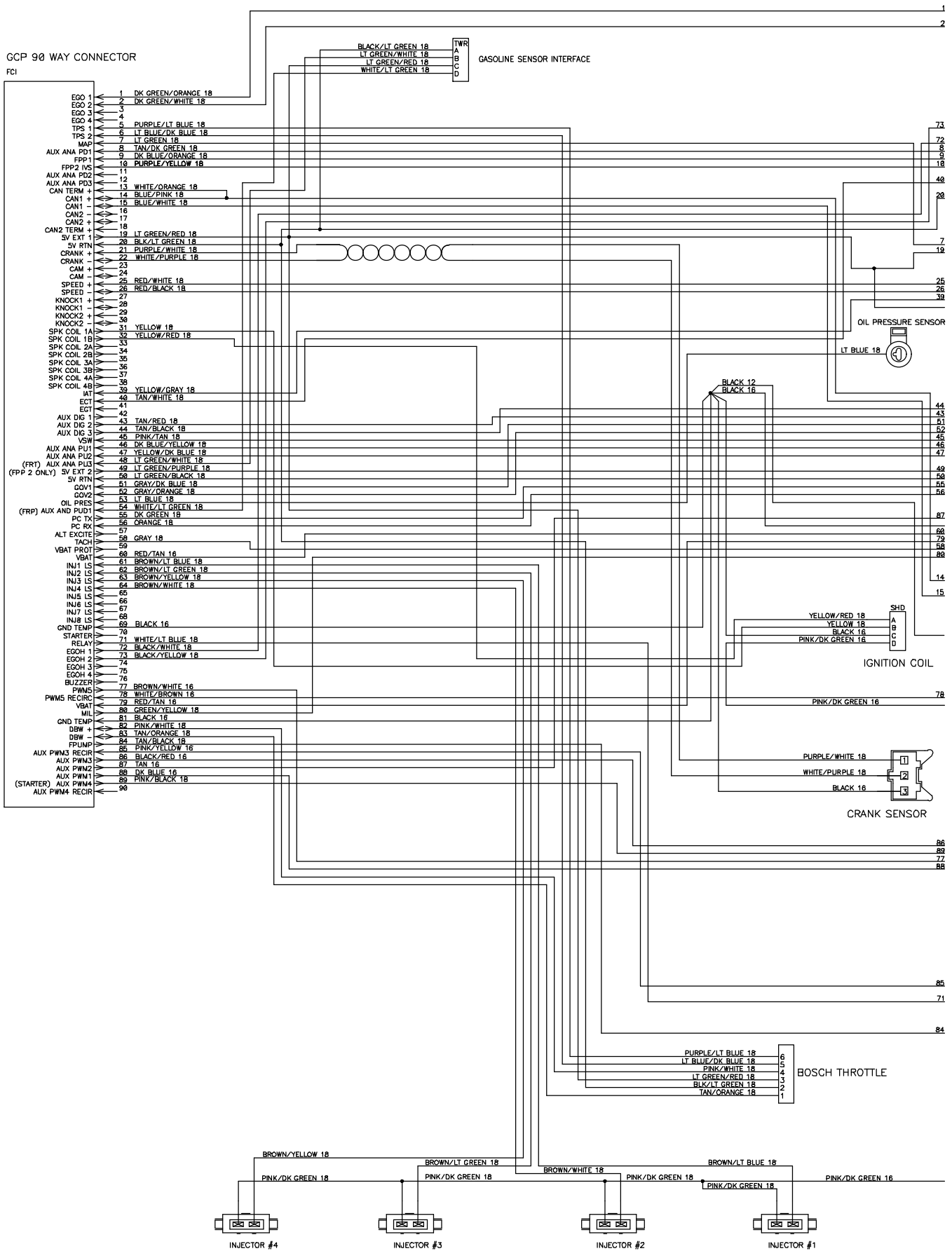
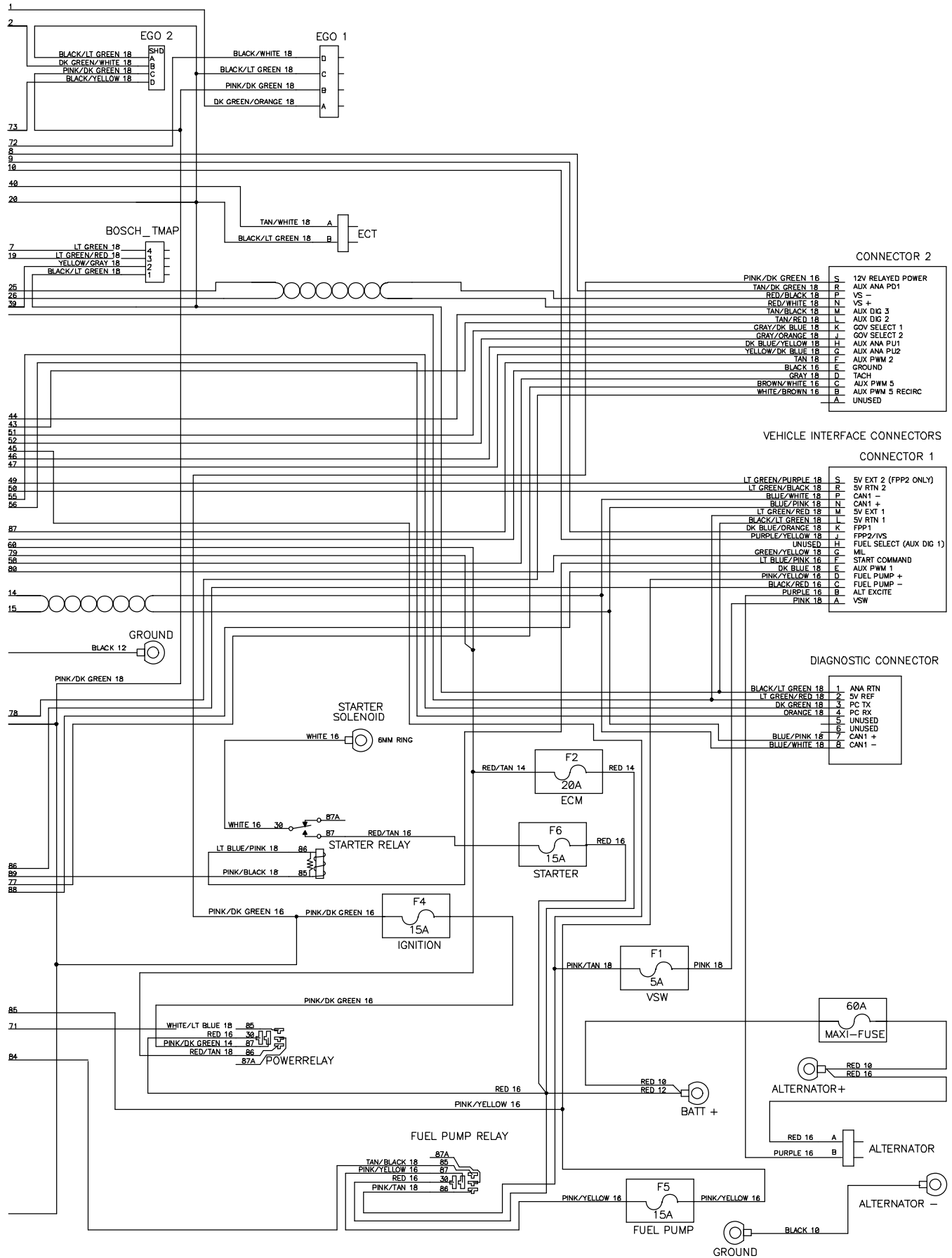
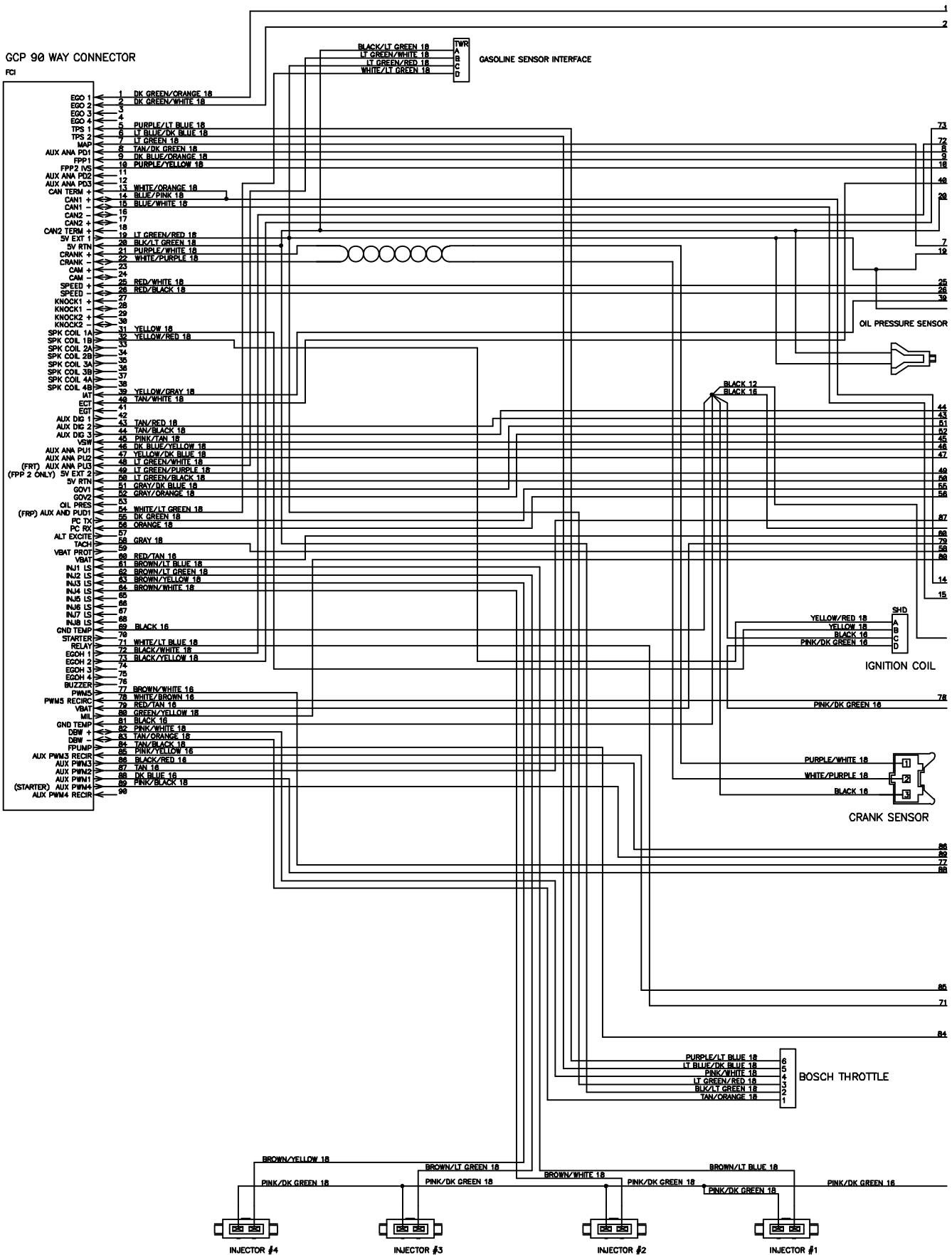


Fig. 87- GM Electrical Schematic, Gas Engine Harness (001500-002140)



STANDARD PARTS

Fig. 88 – GM Electrical Schematic, Gas Engine Harness (002141-004999)



384997 - 354495

Fig. 88 – GM Electrical Schematic, Gas Engine Harness (002141-004999)

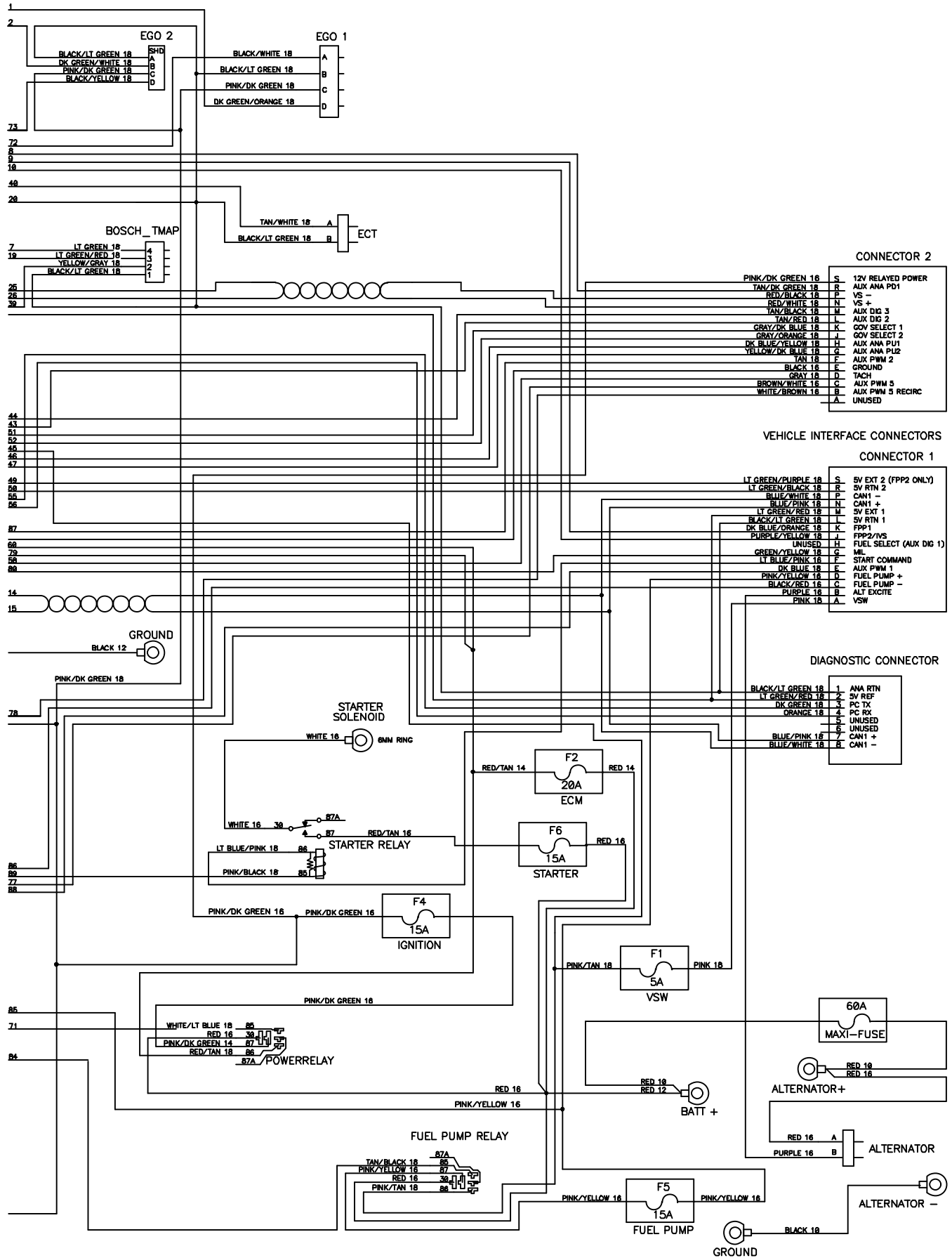


Fig. 89 – GM Electrical Schematic, LPG Engine Harness (001500-002140)

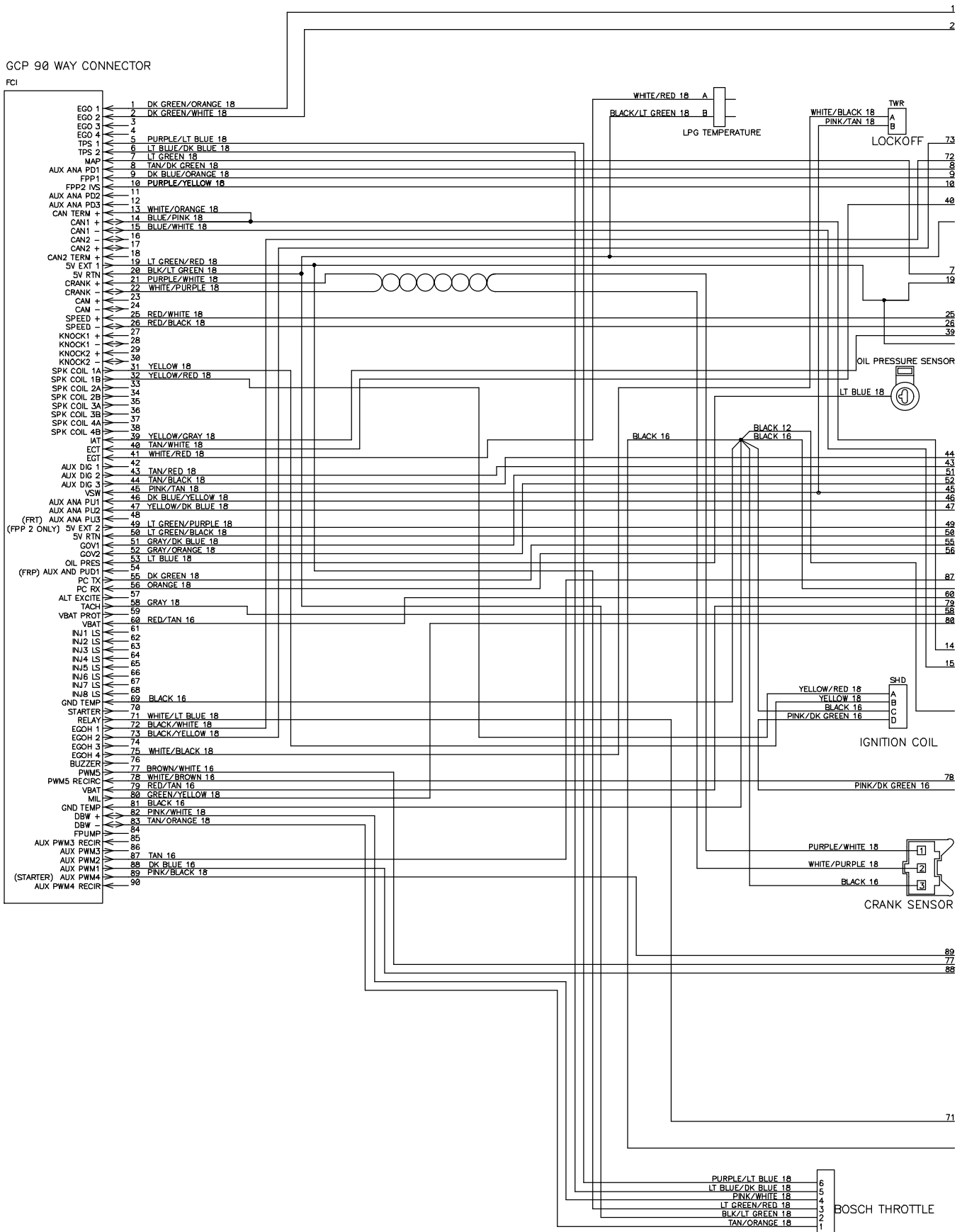
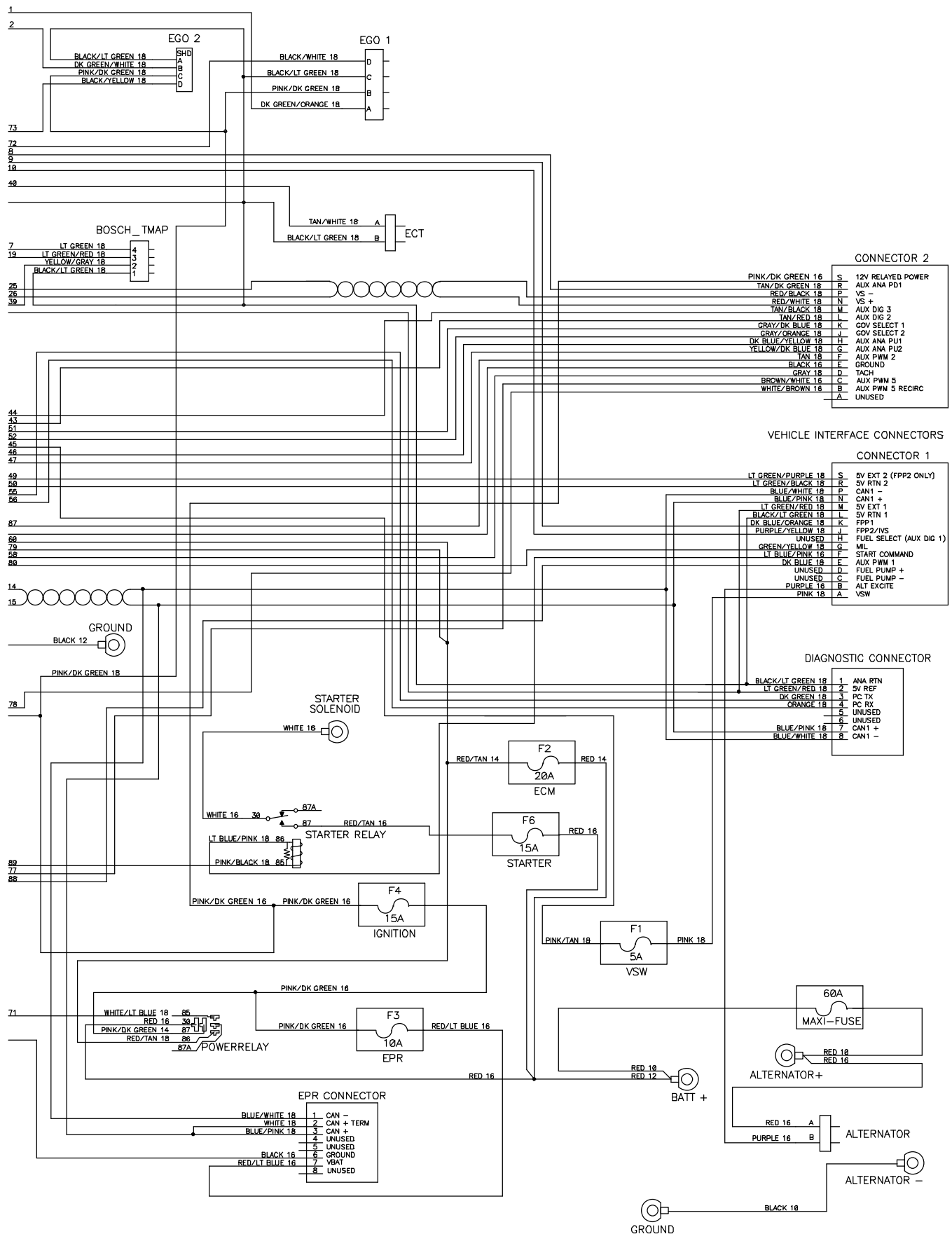
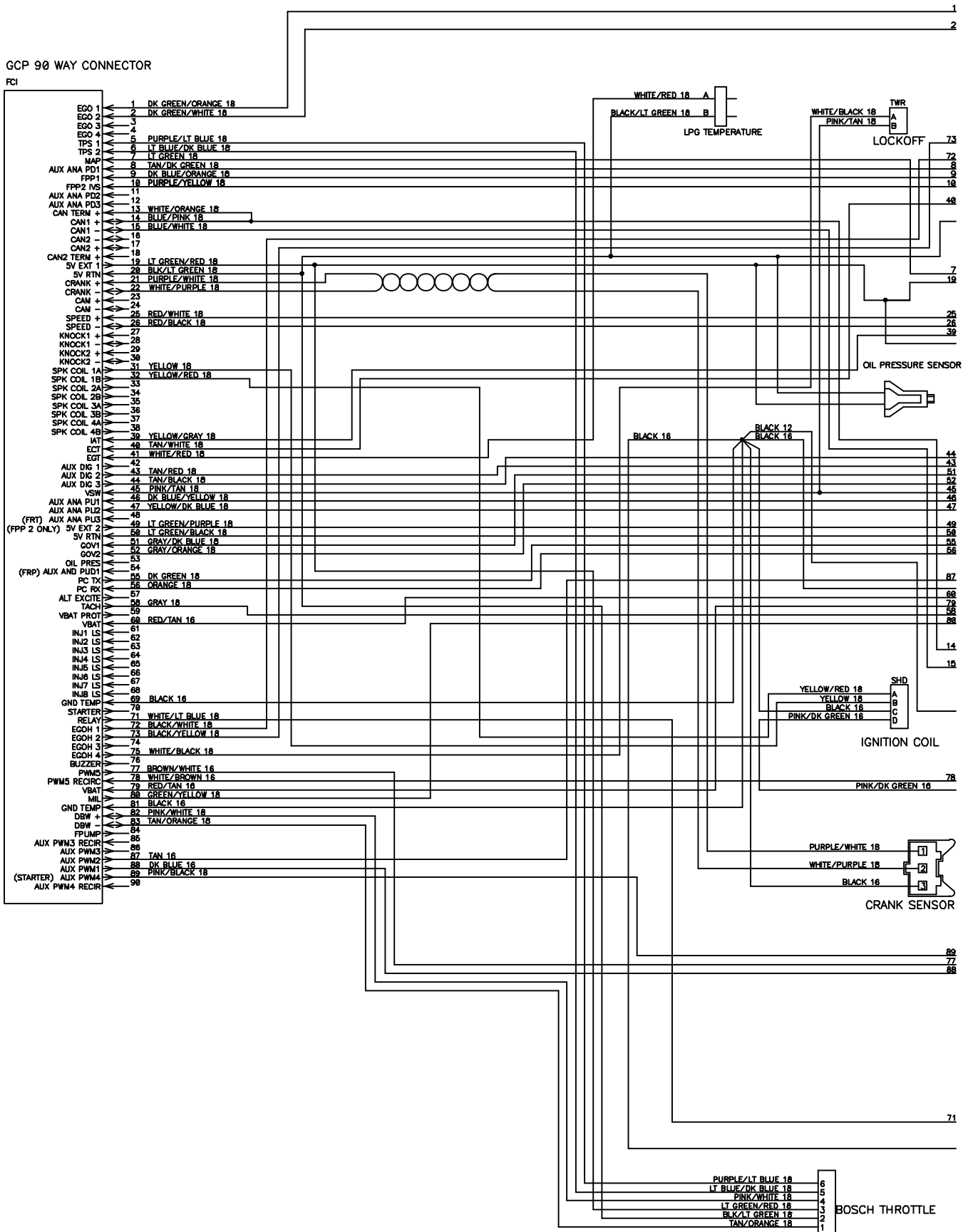


Fig. 89 – GM Electrical Schematic, LPG Engine Harness (001500–002140)



STANDARD PARTS

Fig. 90 – GM Electrical Schematic, LPG Engine Harness (002141-004999)



384990 - 354497

Fig. 90 - GM Electrical Schematic, LPG Engine Harness (002141-004999)

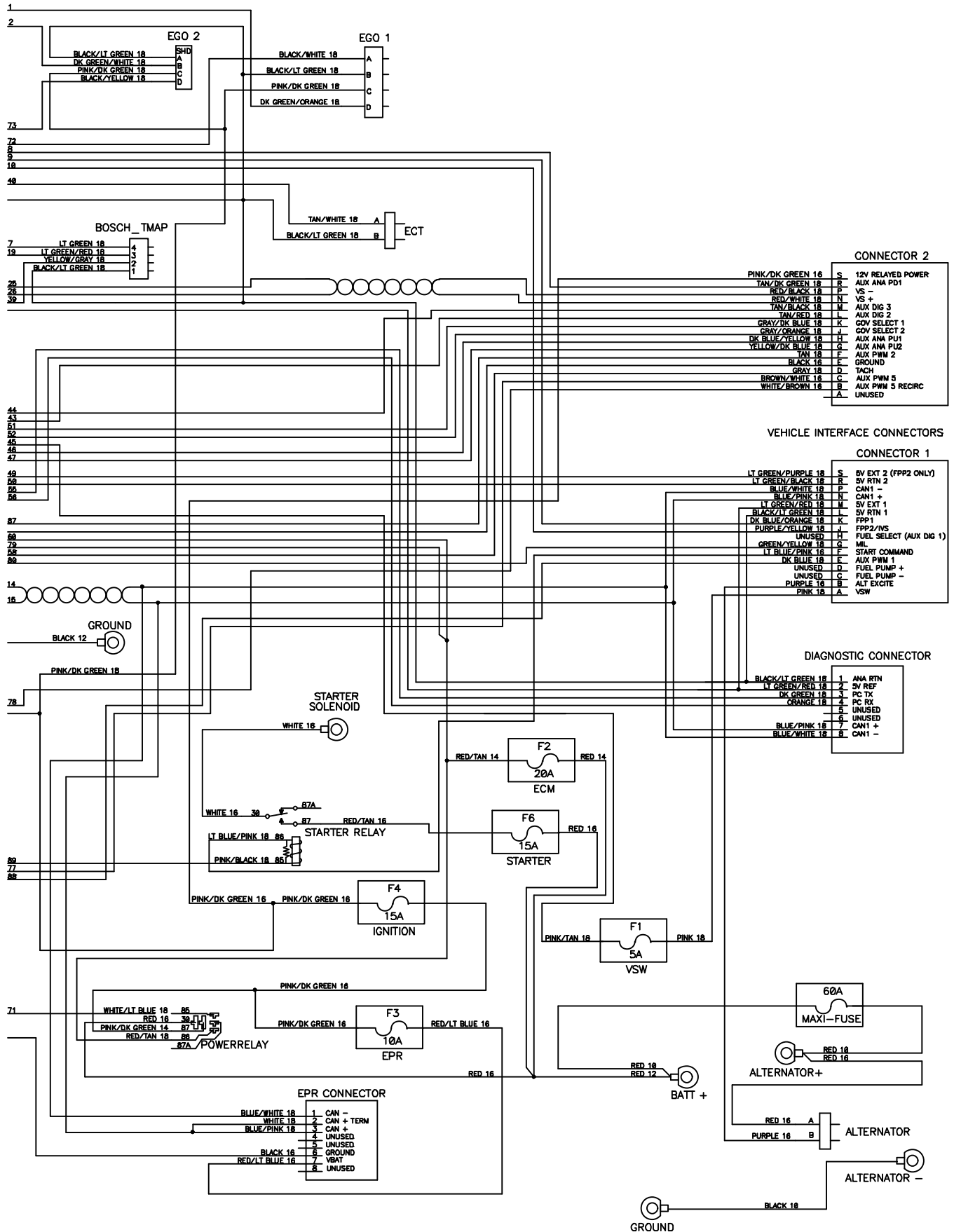
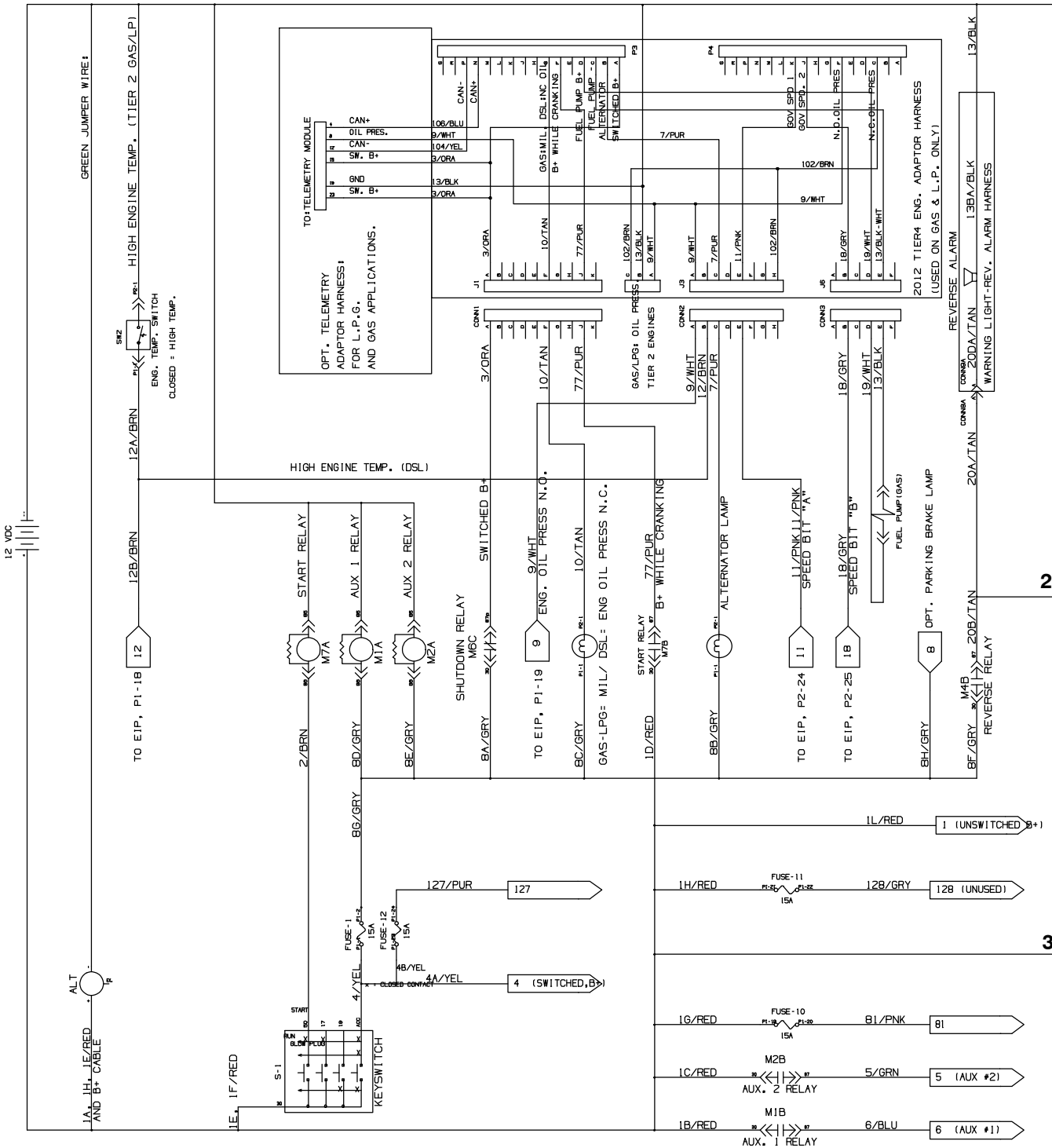


Fig. 91 – Mitsubishi Electrical Schematic (005000–)

GAS: CONNECTS TO GAS TIER4 ENG. HARNESS
 L.P.G.: CONNECTS TO L.P. TIER4 ENG. HARNESS
 DSL: CONNECTS TO DSL ENG. HARNESS

1



2

3

1029601– 356307

Fig. 91 - Mitsubishi Electrical Schematic (005000-)

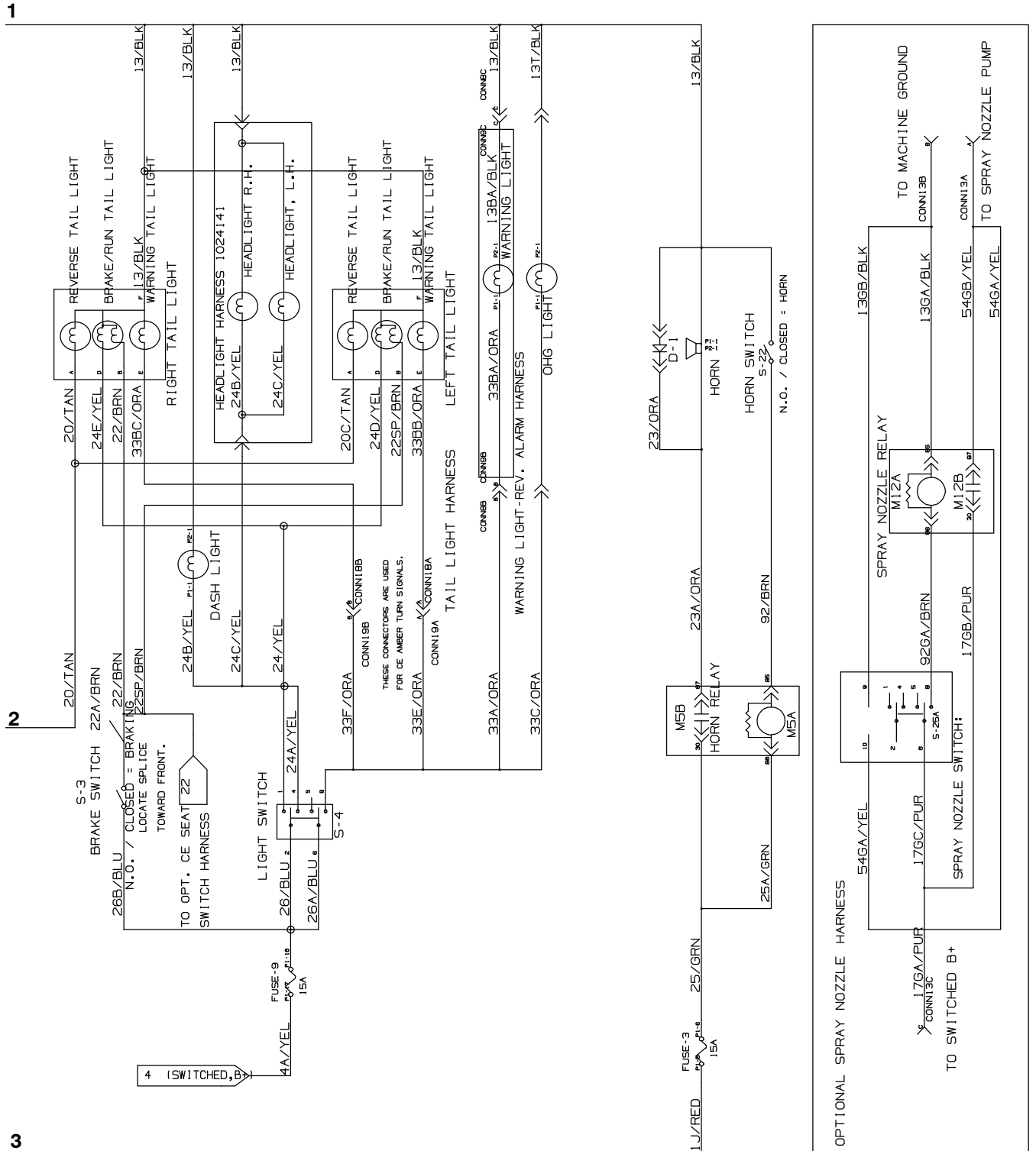
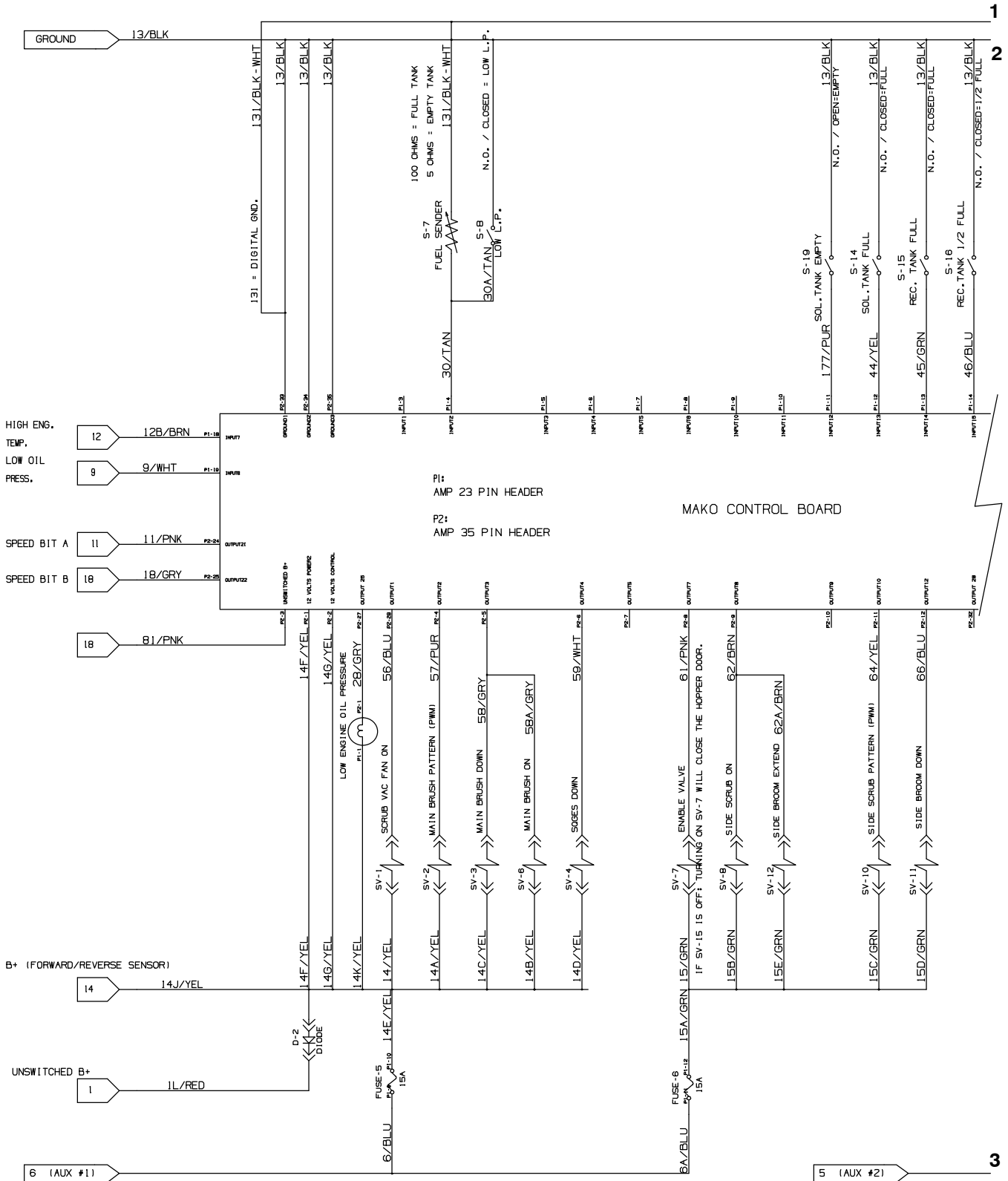


Fig. 91 - Mitsubishi Electrical Schematic (005000-)



1029601- 356307

Fig. 91 - Mitsubishi Electrical Schematic (005000-)

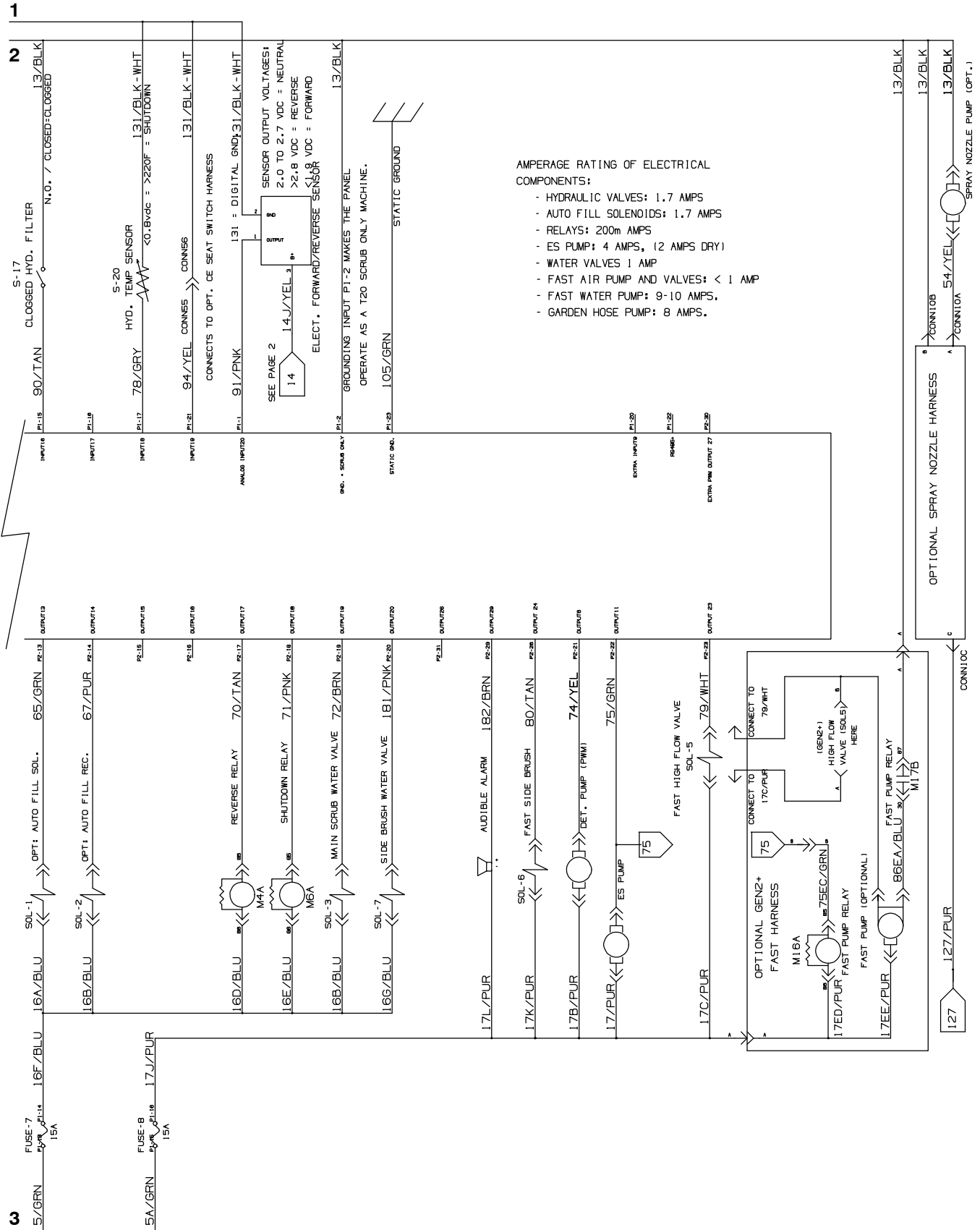
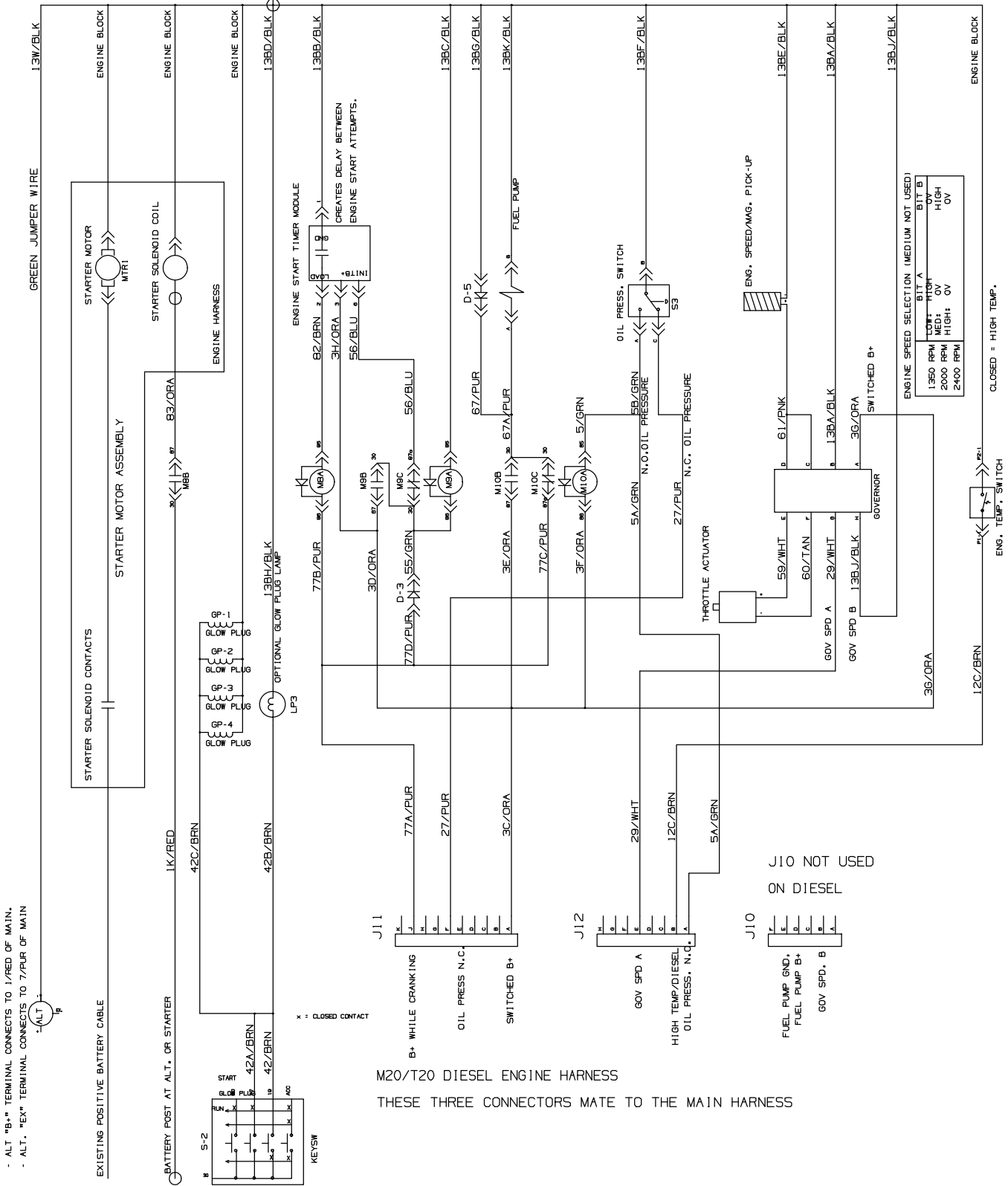
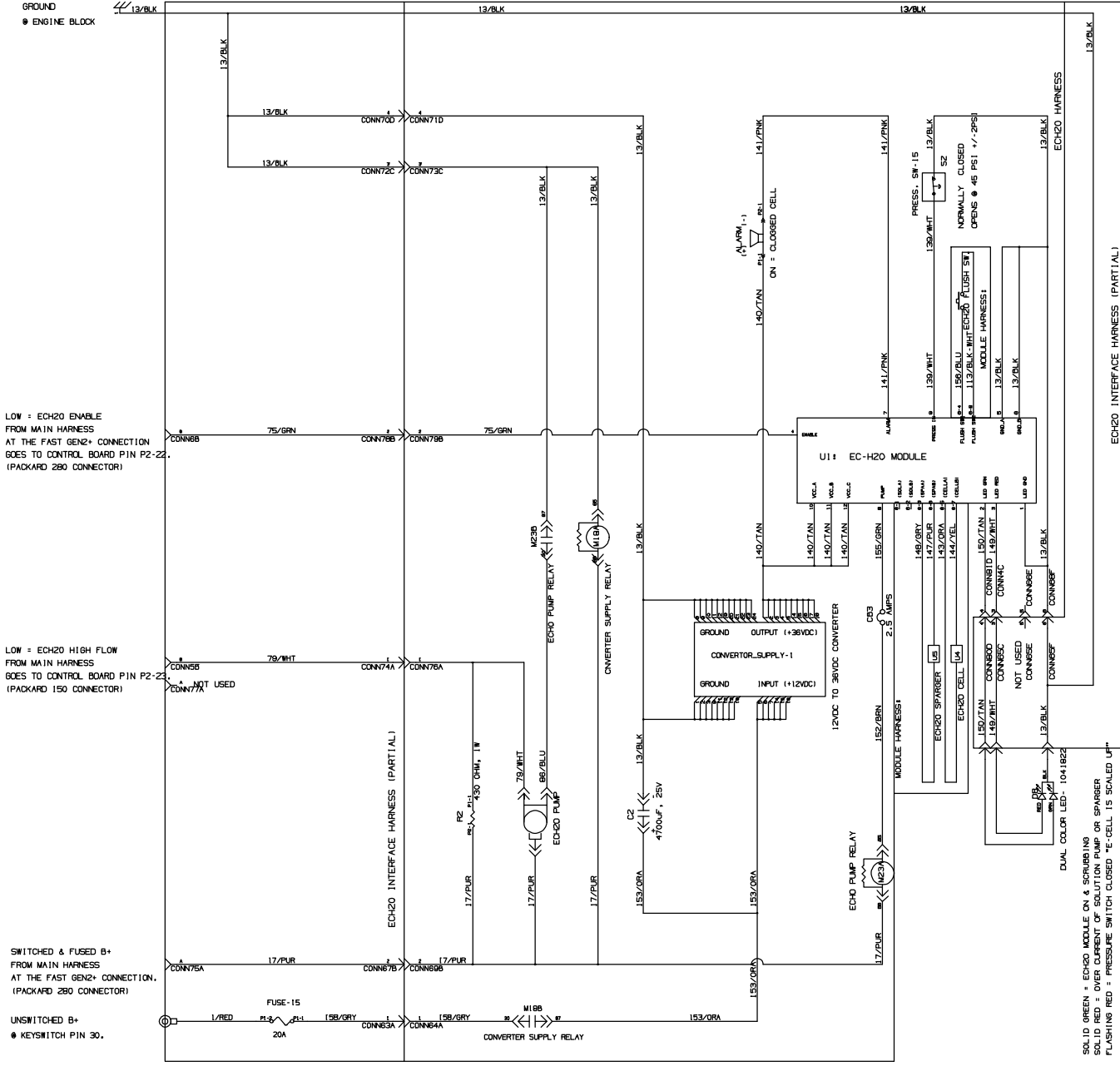


Fig. 91 - Mitsubishi Electrical Schematic (005000-)



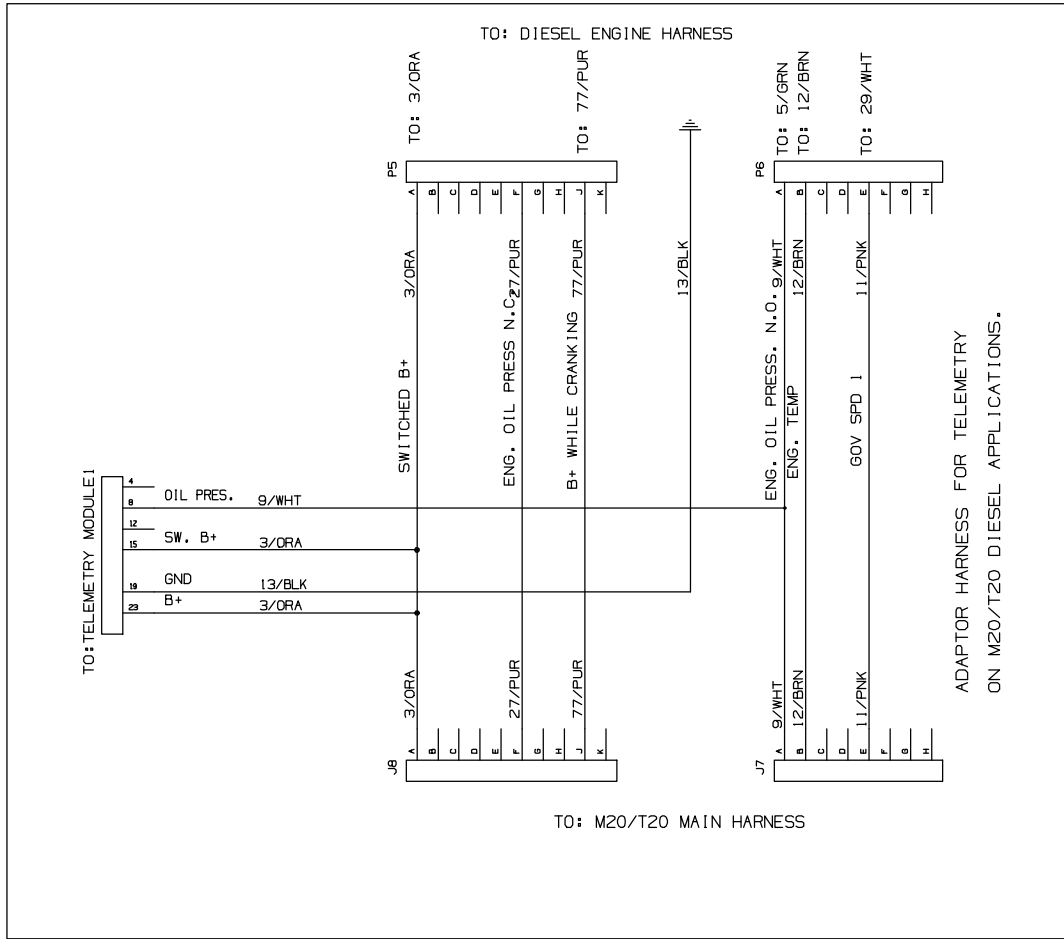
1029601- 356307

Fig. 91 – Mitsubishi Electrical Schematic (005000-)



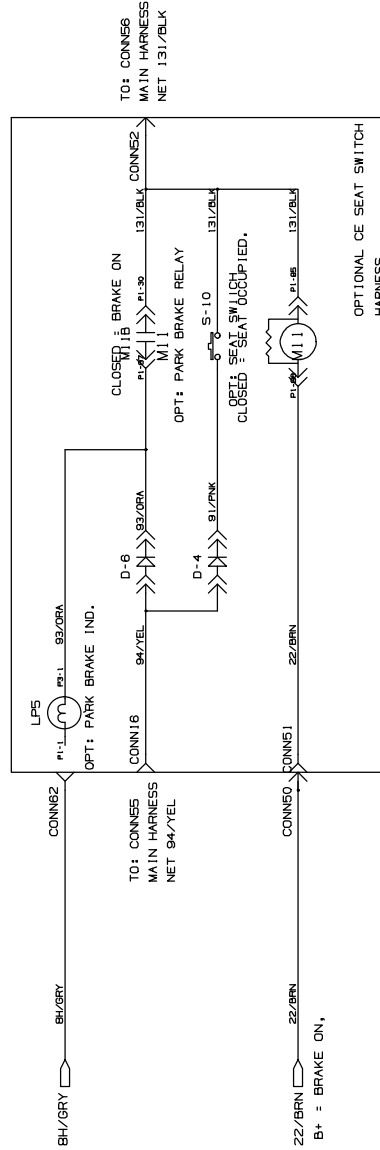
1029601-356307

Fig. 91 - Mitsubishi Electrical Schematic (005000-)



1029601-356307

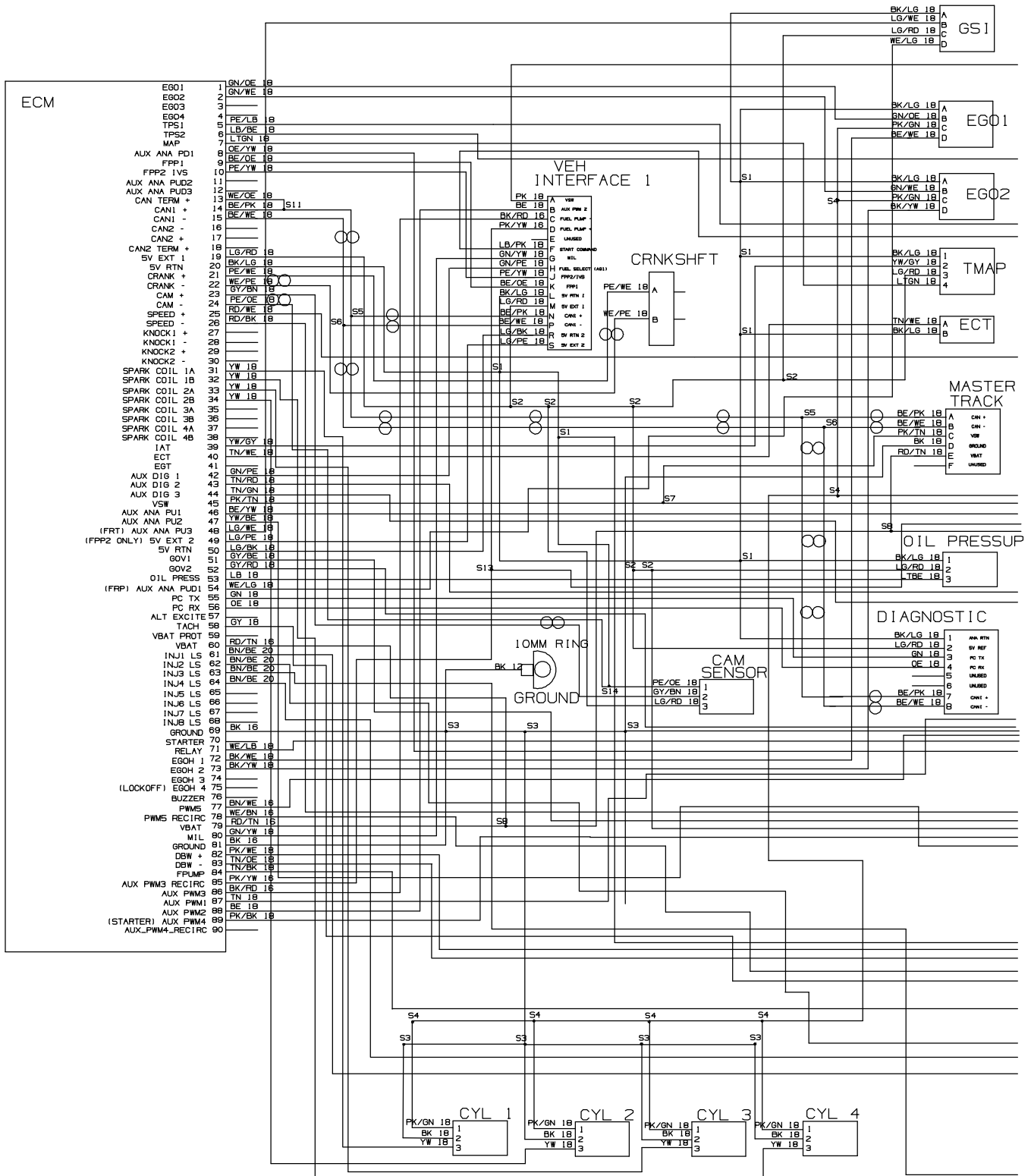
Fig. 91 - Mitsubishi Electrical Schematic (005000-)



OPTIONAL CE SEAT SWITCH SHUTDOWN CIRCUIT.

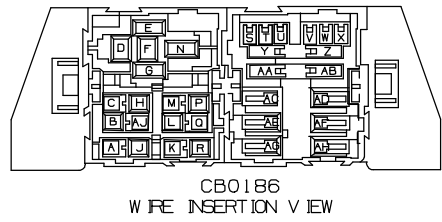
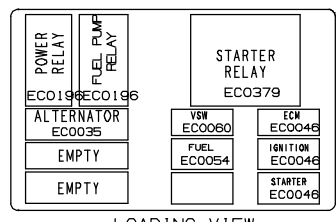
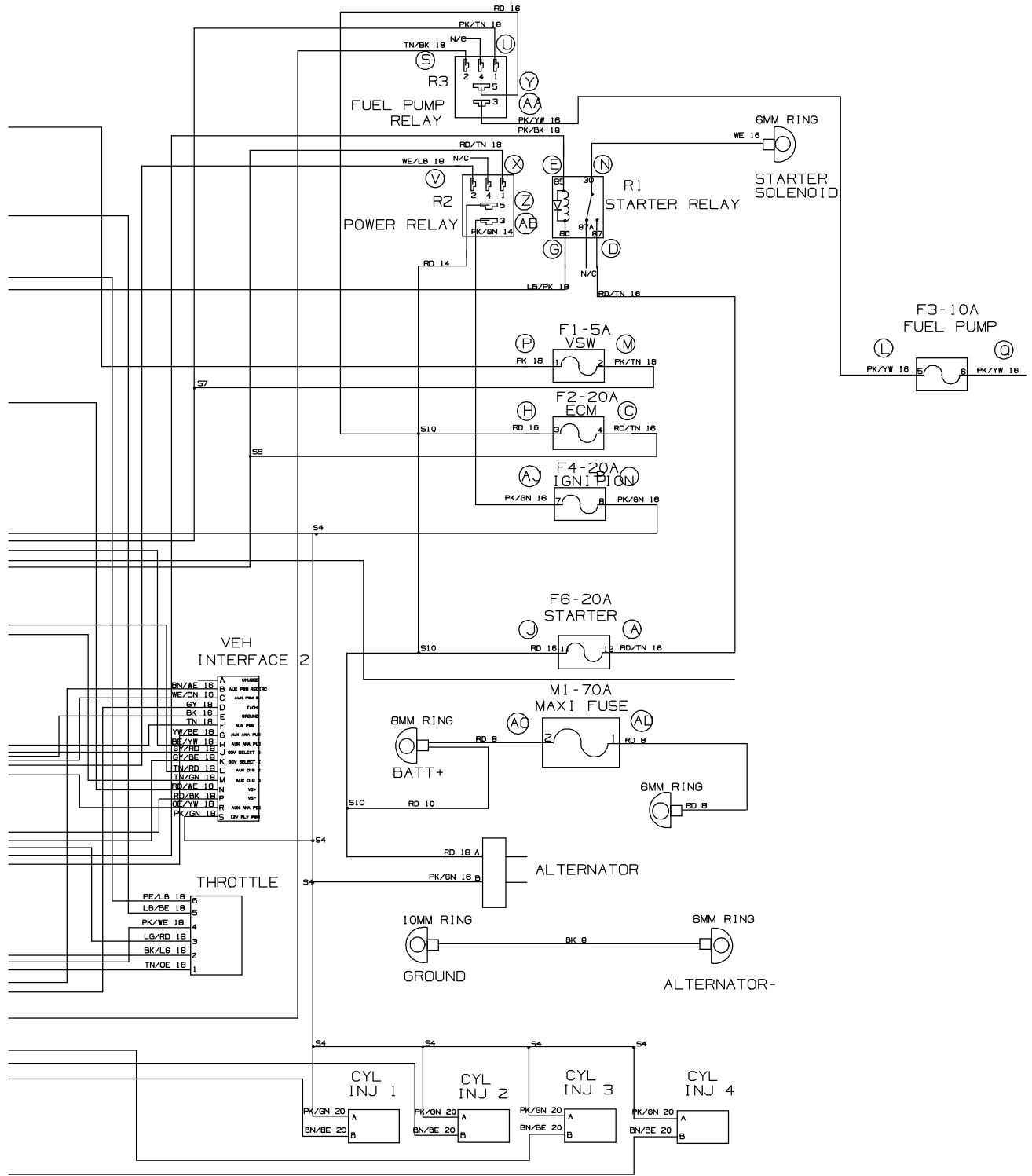
1029601-356307

Fig. 92 – Mitsubishi Electrical Schematic, Gas Engine Harness (005000-)



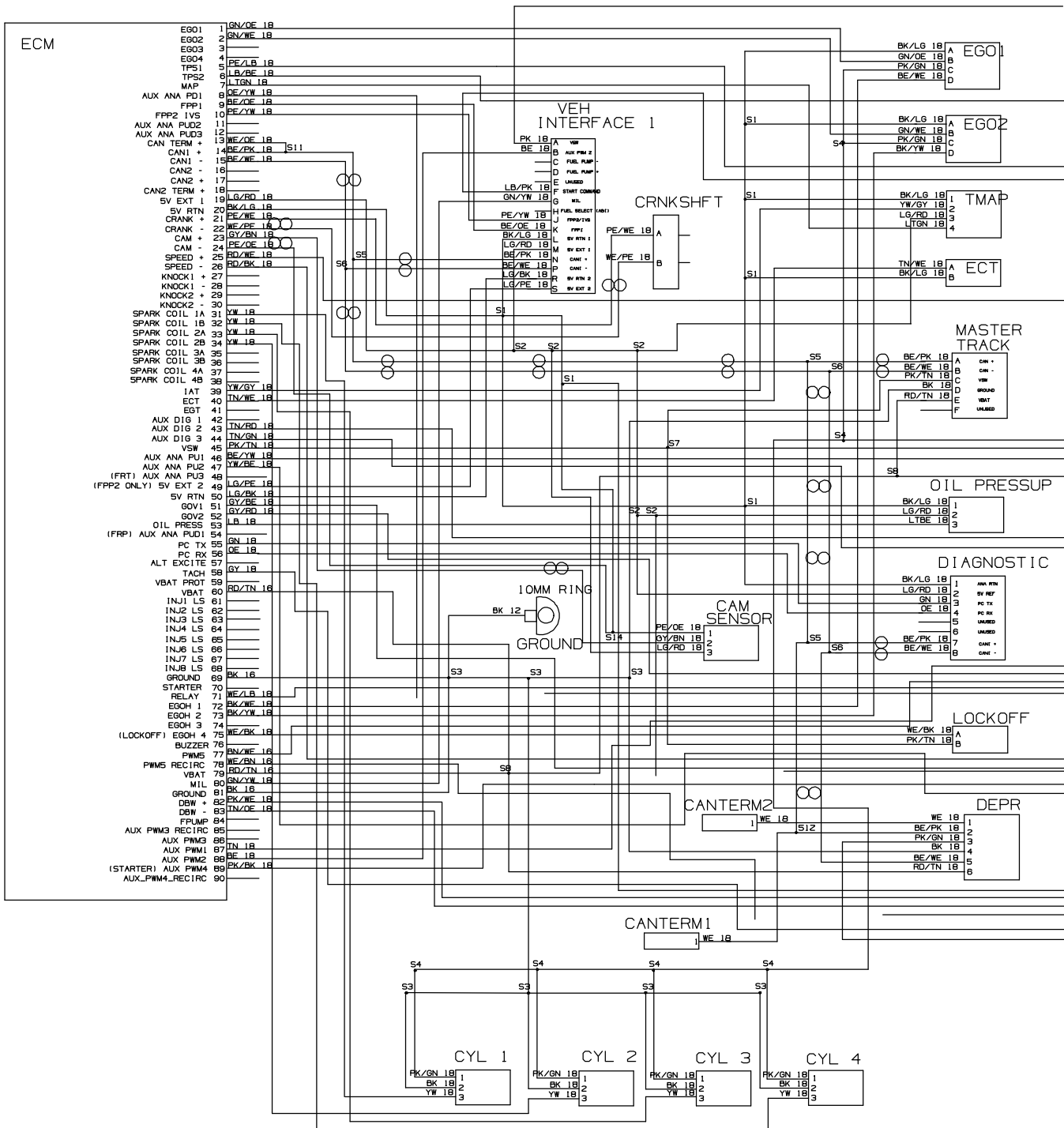
1071653- 356303

Fig. 92 – Mitsubishi Electrical Schematic, Gas Engine Harness (005000-)



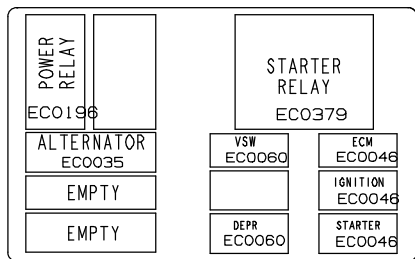
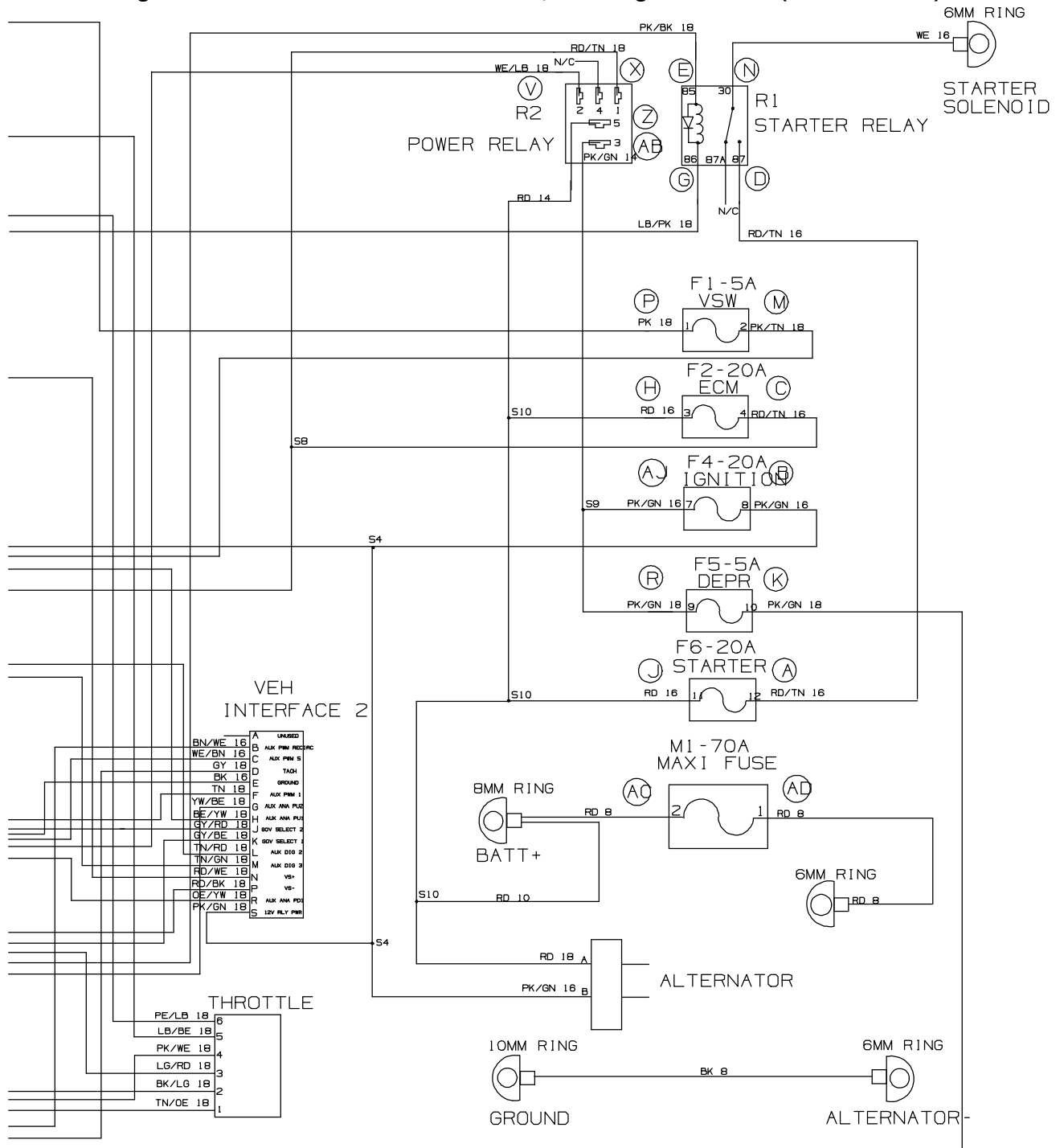
STANDARD PARTS

Fig. 93 - Mitsubishi Electrical Schematic, LPG Engine Harness (005000-)

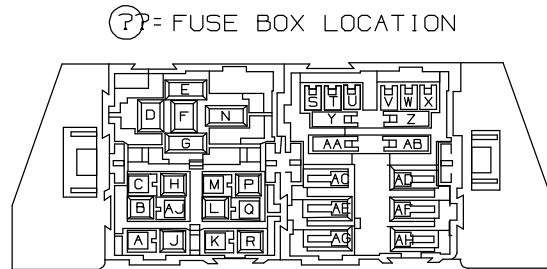


1071654- 356304

Fig. 93 – Mitsubishi Electrical Schematic, LPG Engine Harness (005000-)



LOADING VIEW



CB0186
WIRE INSERTION VIEW

Fig. 94 - Electrical Wire Harness Group, Main

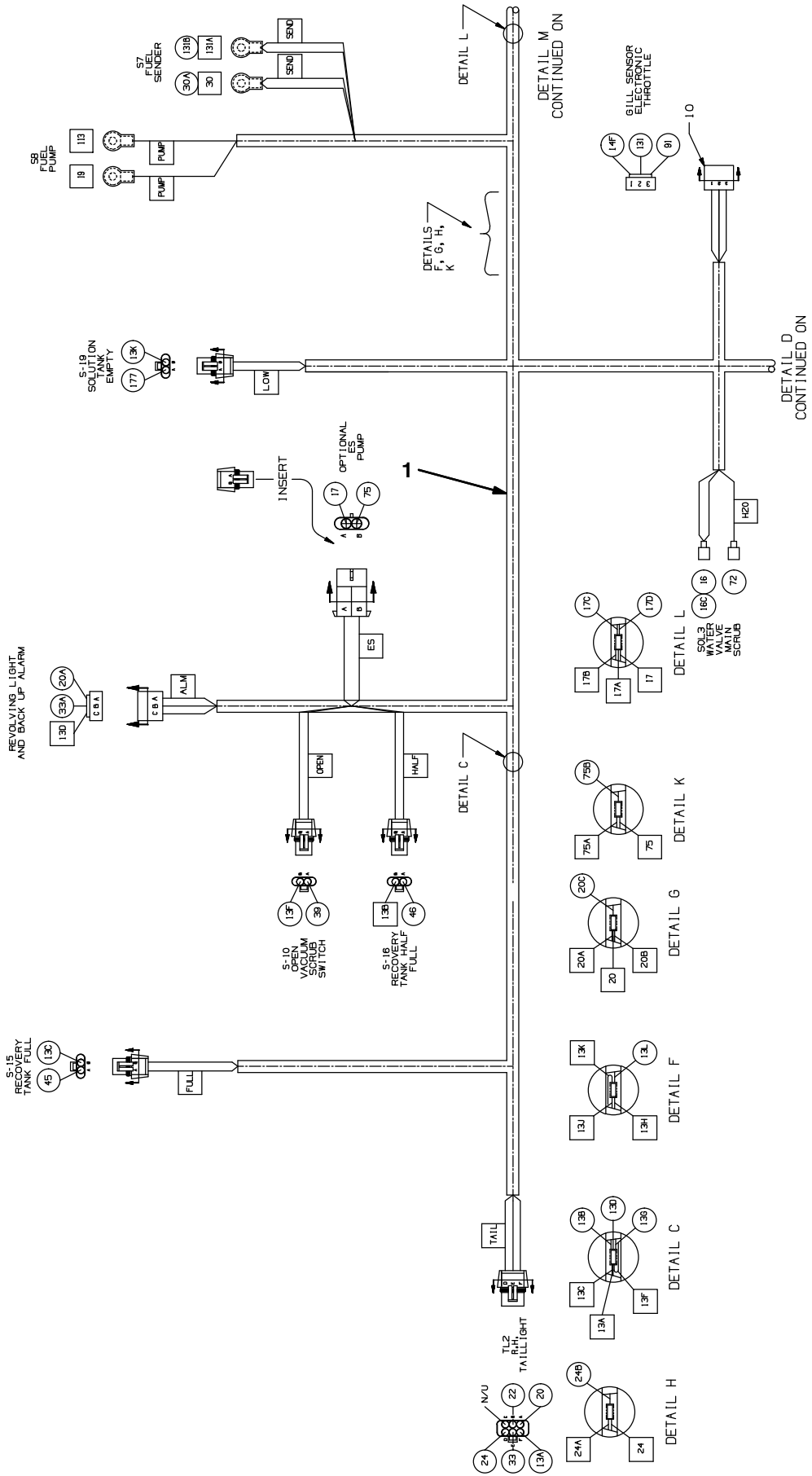


Fig. 94 - Electrical Wire Harness Group, Main

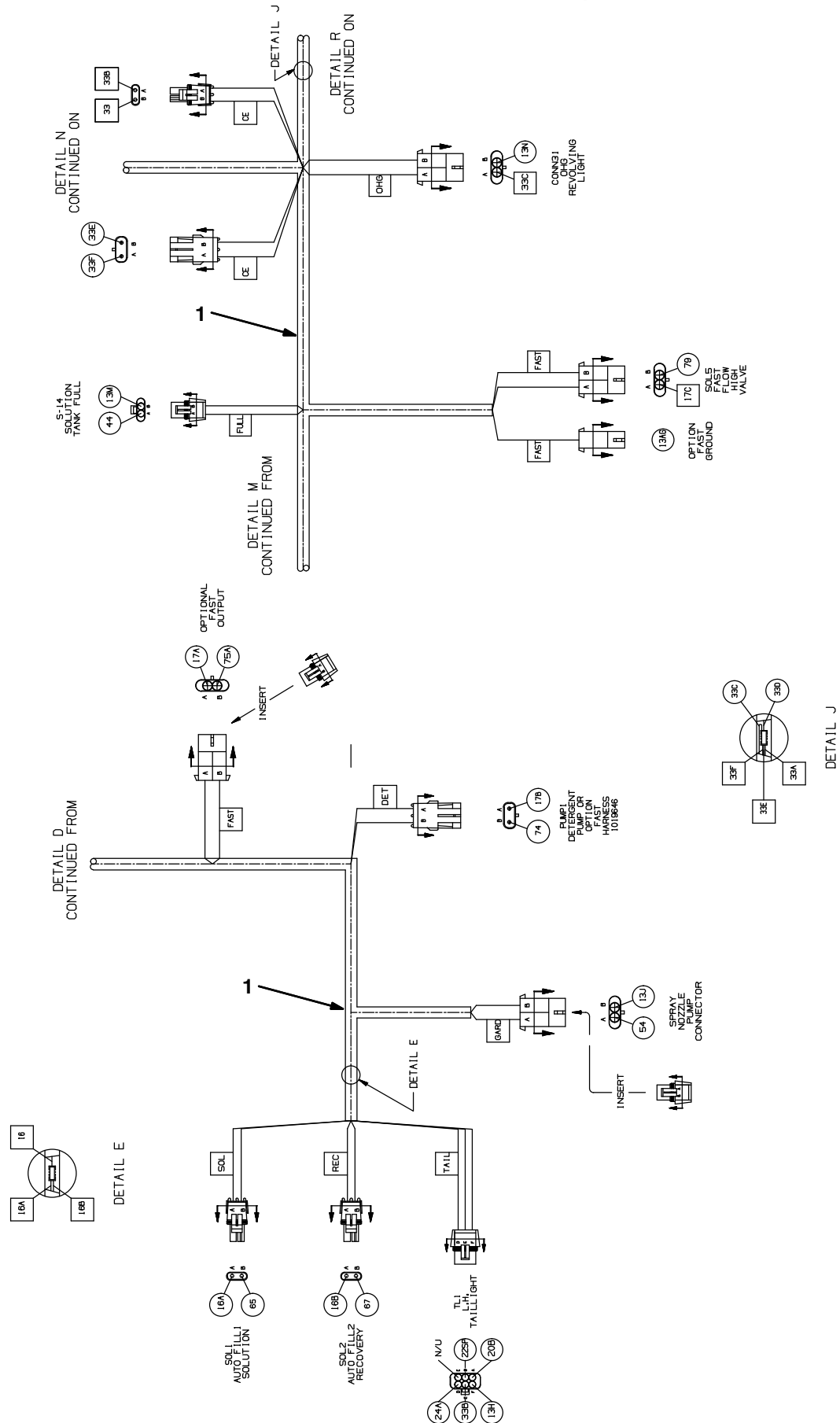


Fig. 94 - Electrical Wire Harness Group, Main

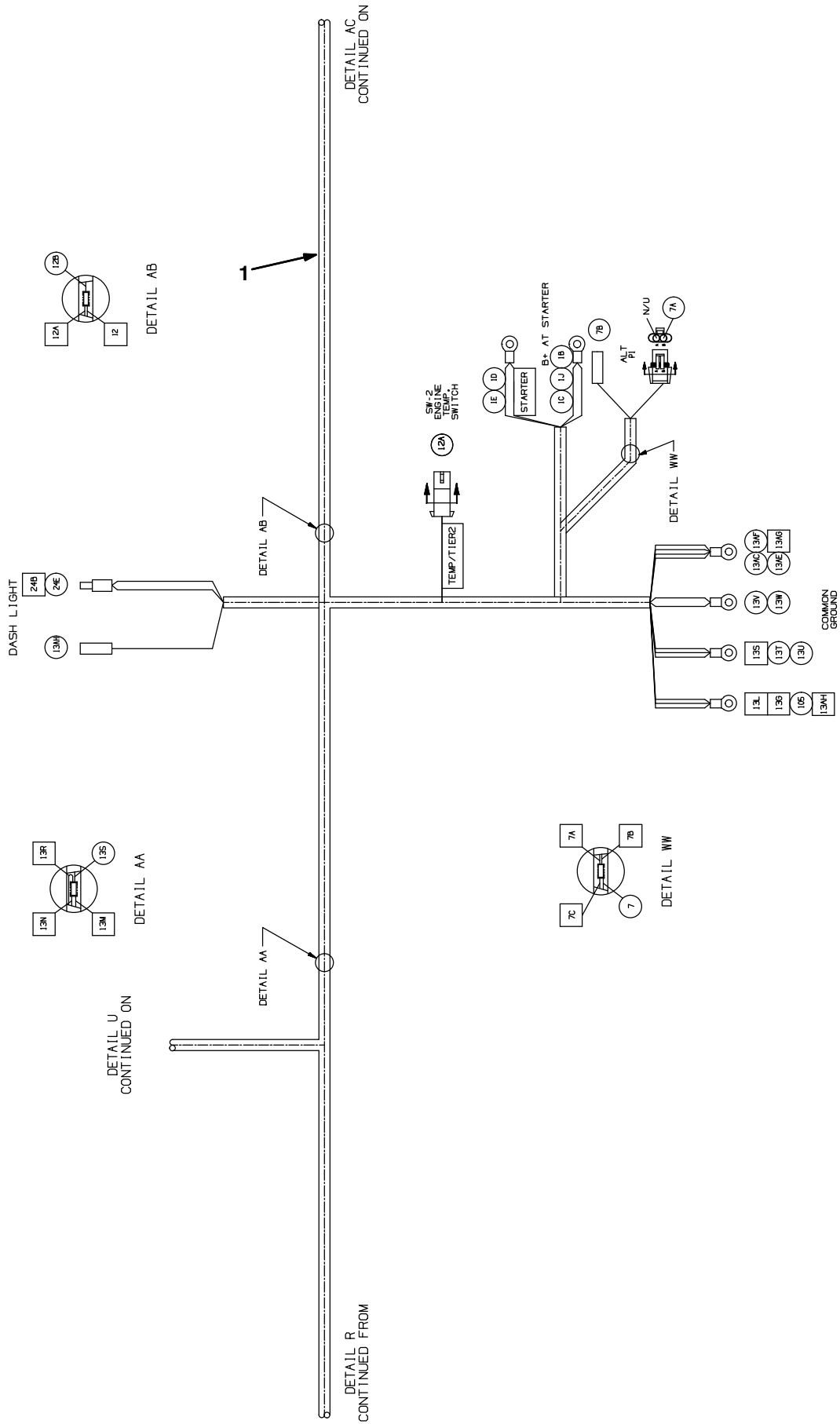


Fig. 94 - Electrical Wire Harness Group, Main

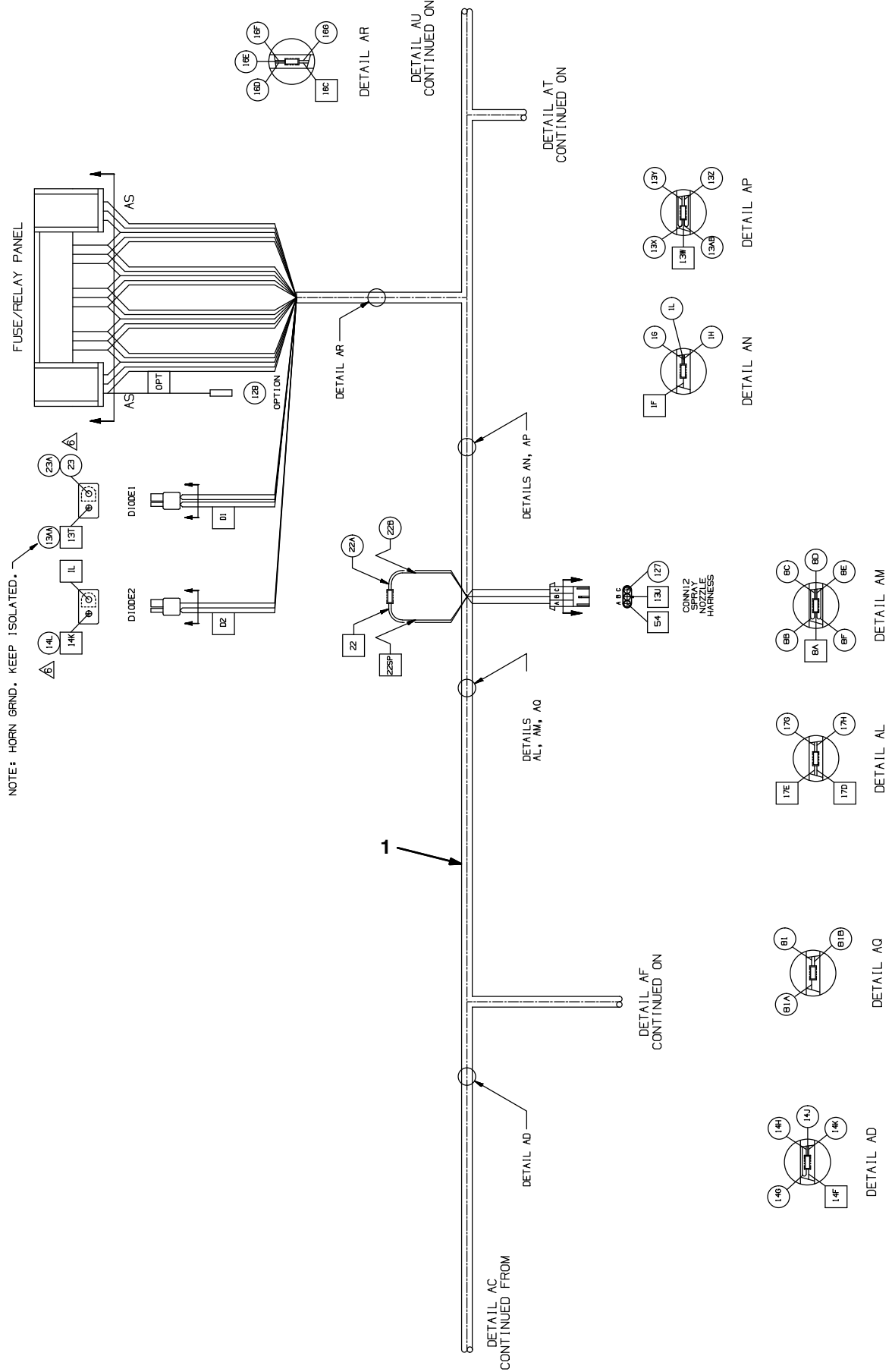


Fig. 94 - Electrical Wire Harness Group, Main

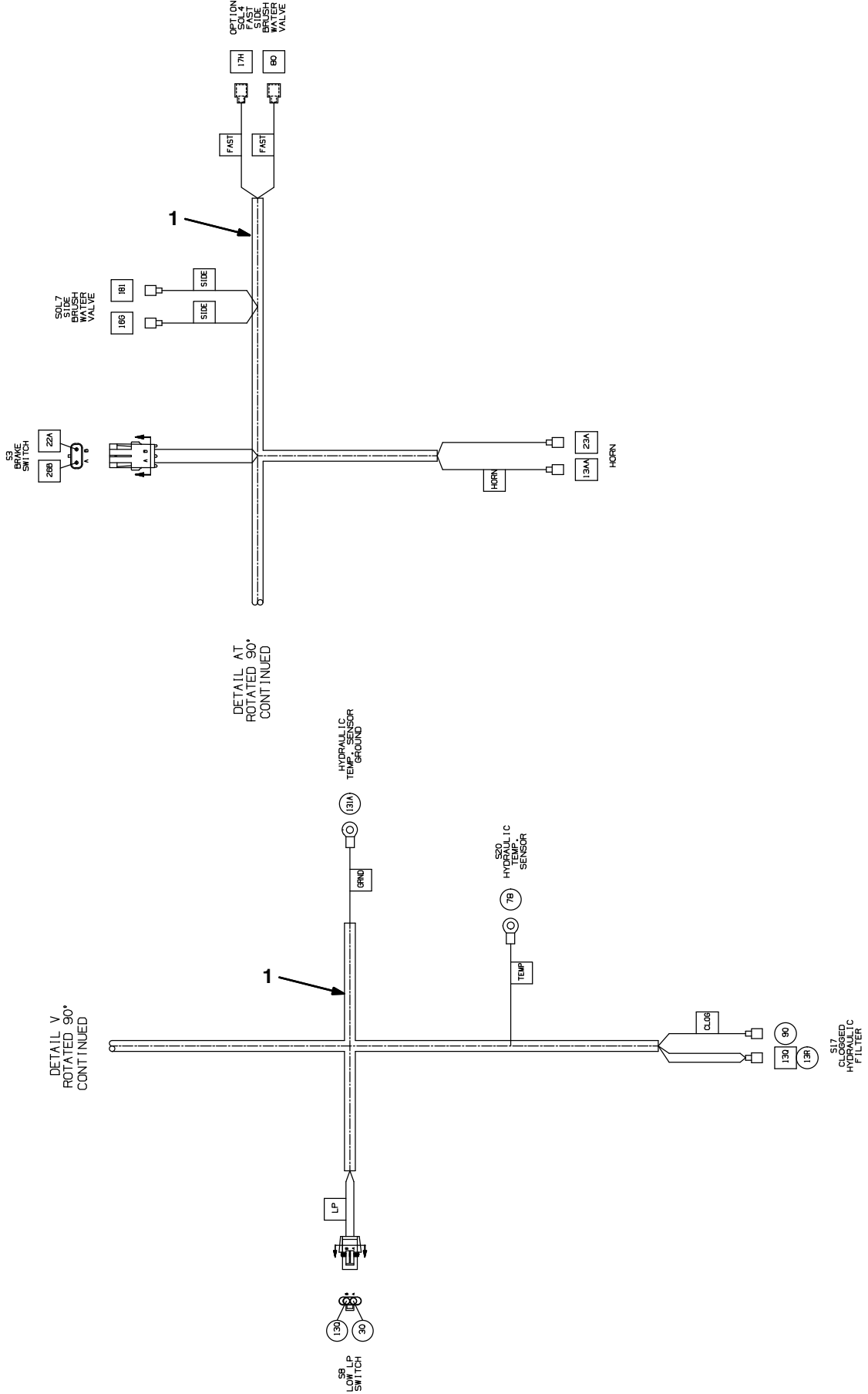
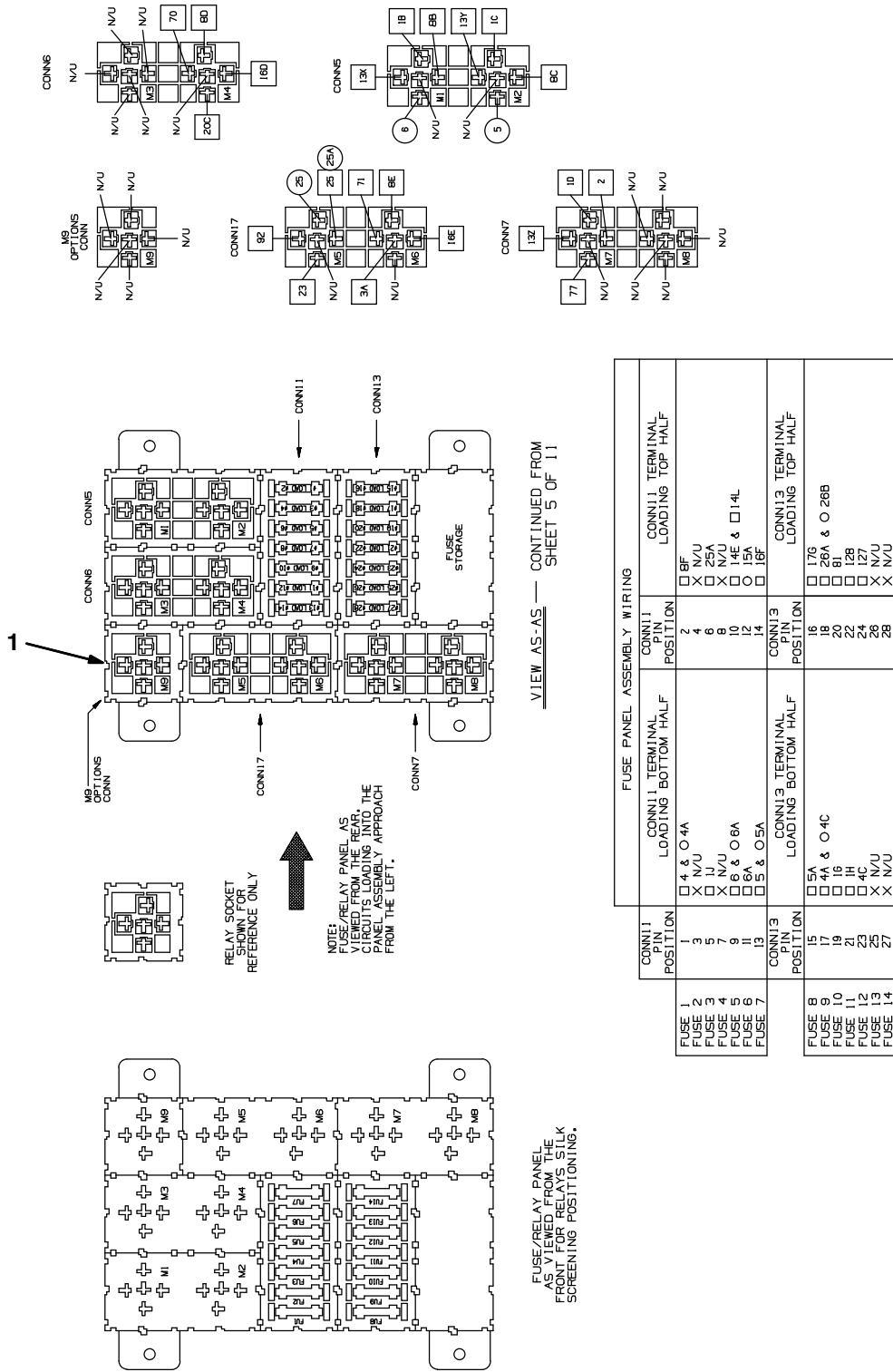
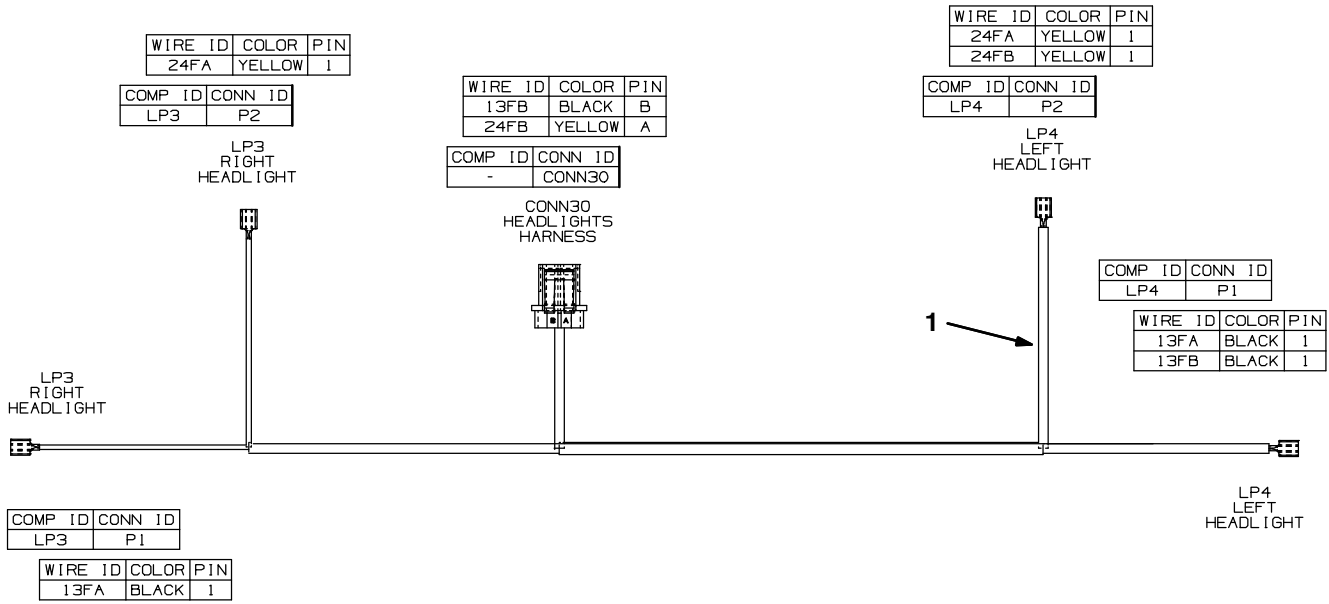


Fig. 94 - Electrical Wire Harness Group, Main



Ref.	Part No.	Serial Number	Description	Qty.
1	1071605	(000000-)	Harness, Main [T20]	1

Fig. 95 – Electrical Wire Harness Group, Headlight



Ref.	Part No.	Serial Number	Description	Qty.
1	1024141	(000000–)	Harness, Headlight [M20 And T20]	1

Fig. 96 – Electrical Wire Harness Group, Gasoline/LPG Engine

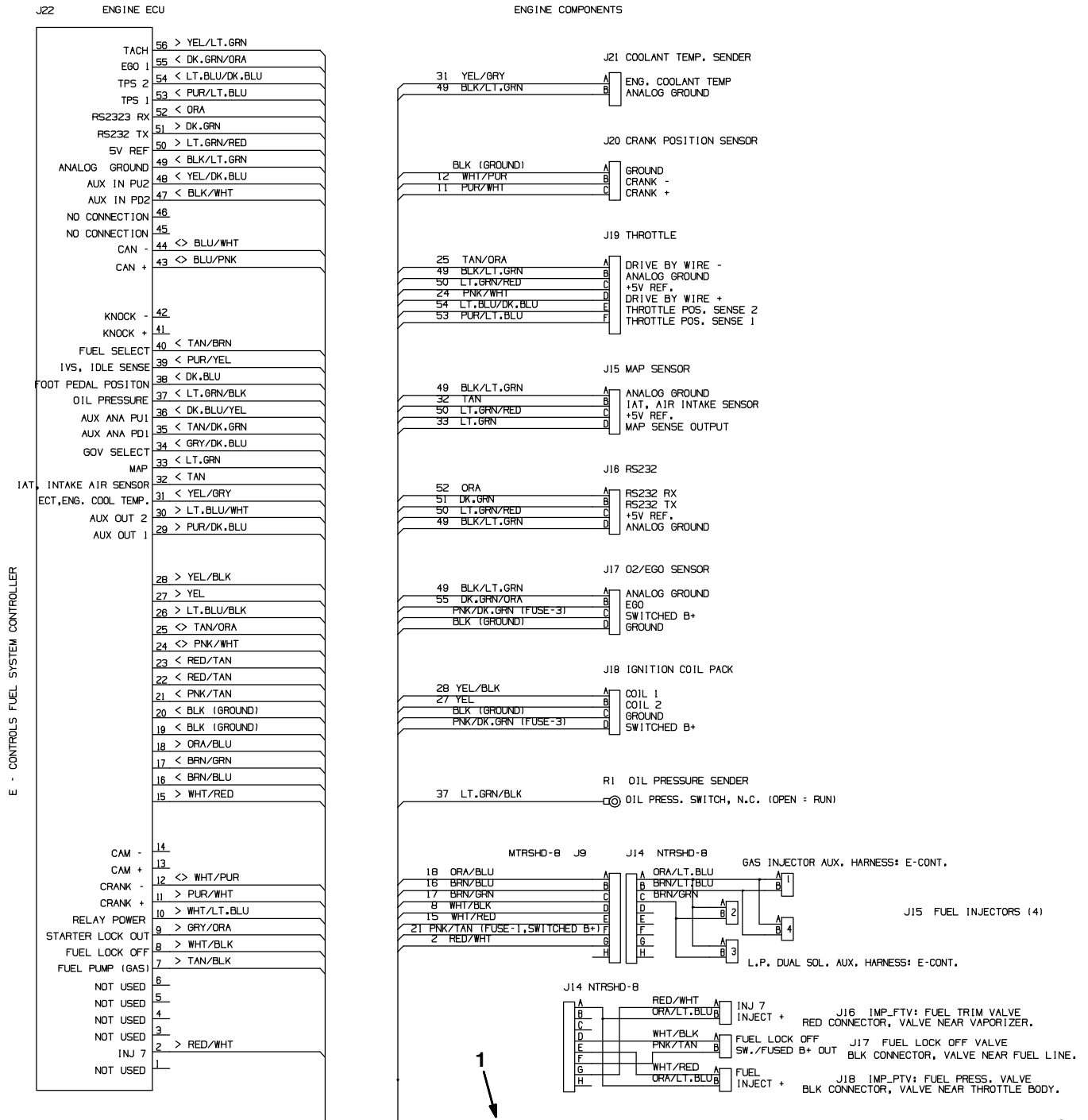


Fig. 96 – Electrical Wire Harness Group, Gasoline/LPG Engine

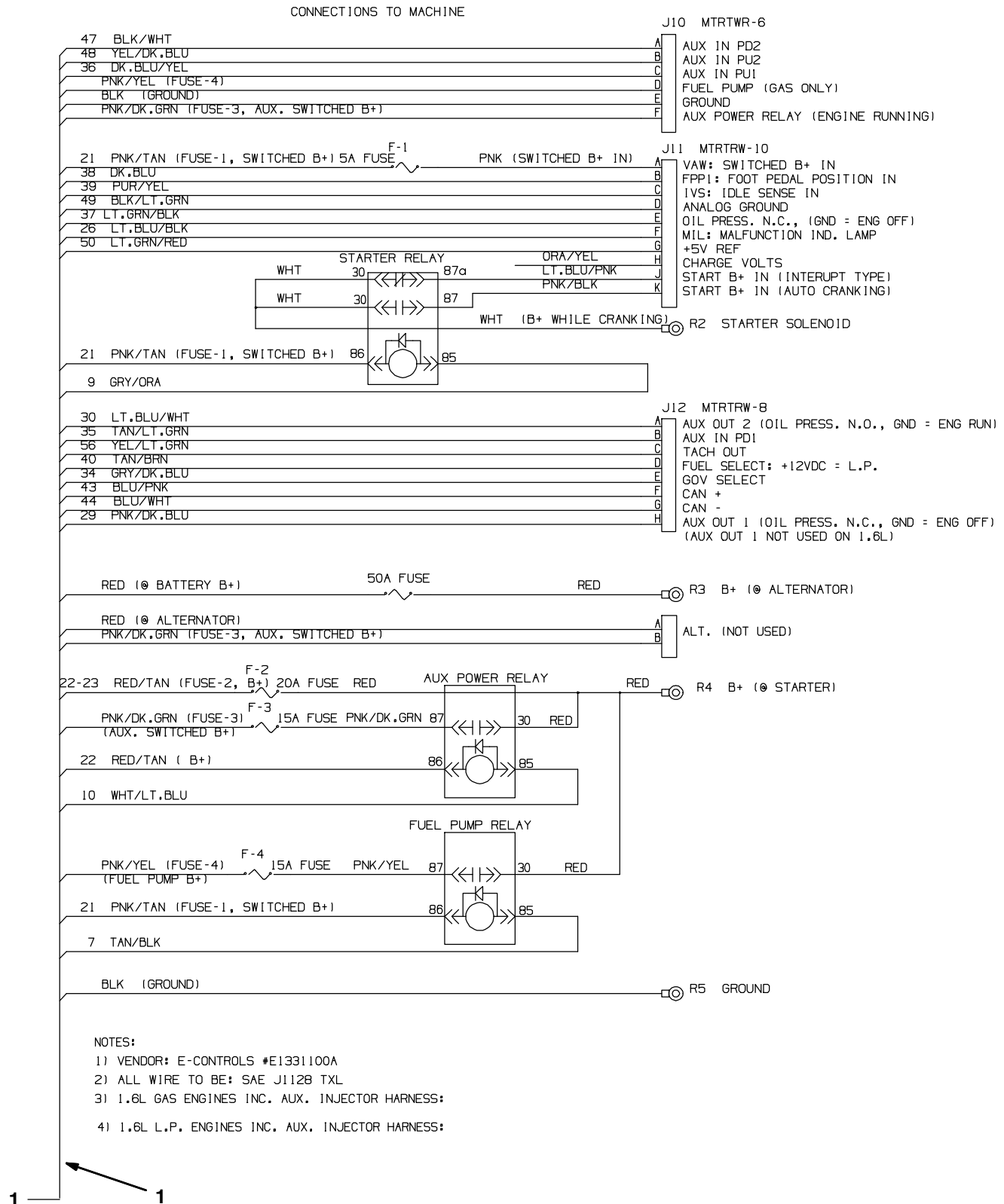
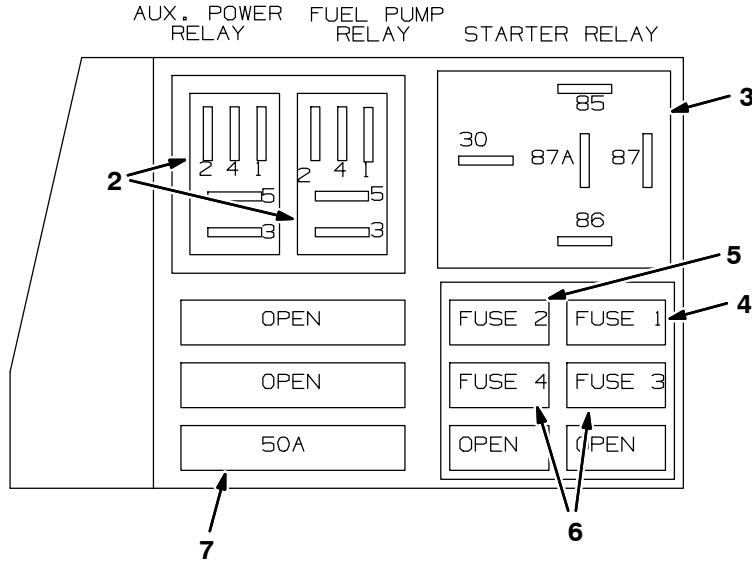
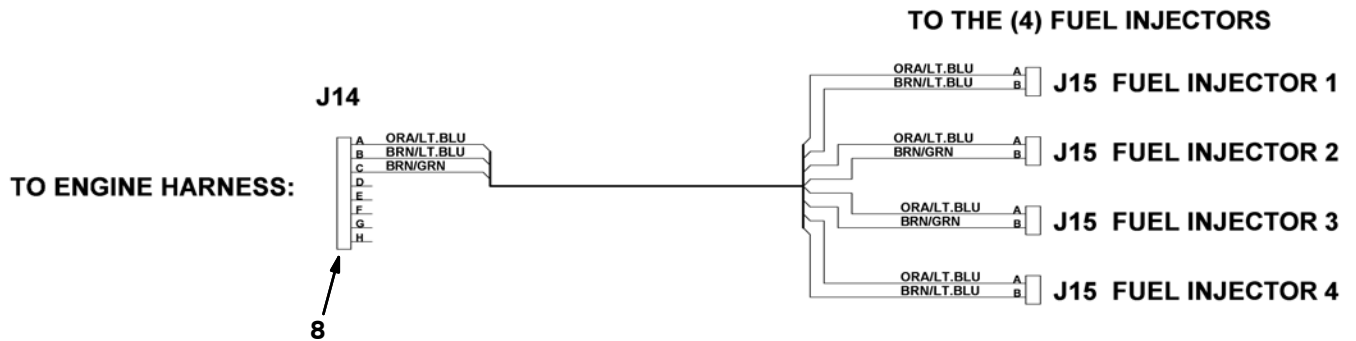


Fig. 96 – Electrical Wire Harness Group, Gasoline/LPG Engine



GAS INJECTOR AUX. HARNESS



L.P. DUAL SOL. AUX. HAENESS

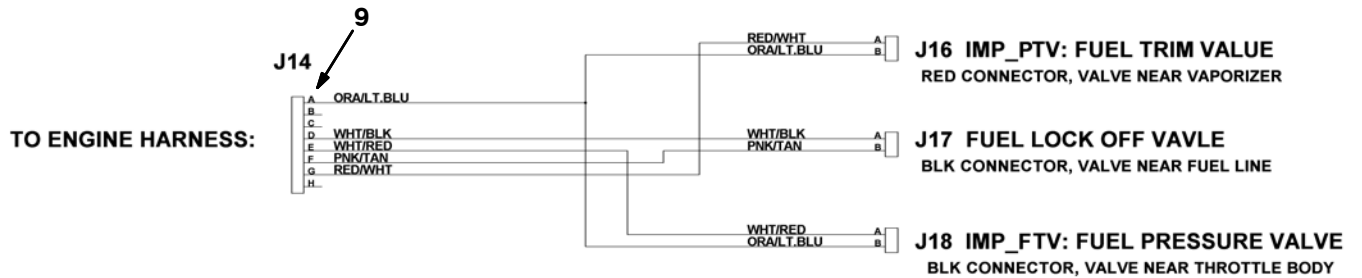


Fig. 96 - Electrical Wire Harness Group, Gasoline/LPG Engine

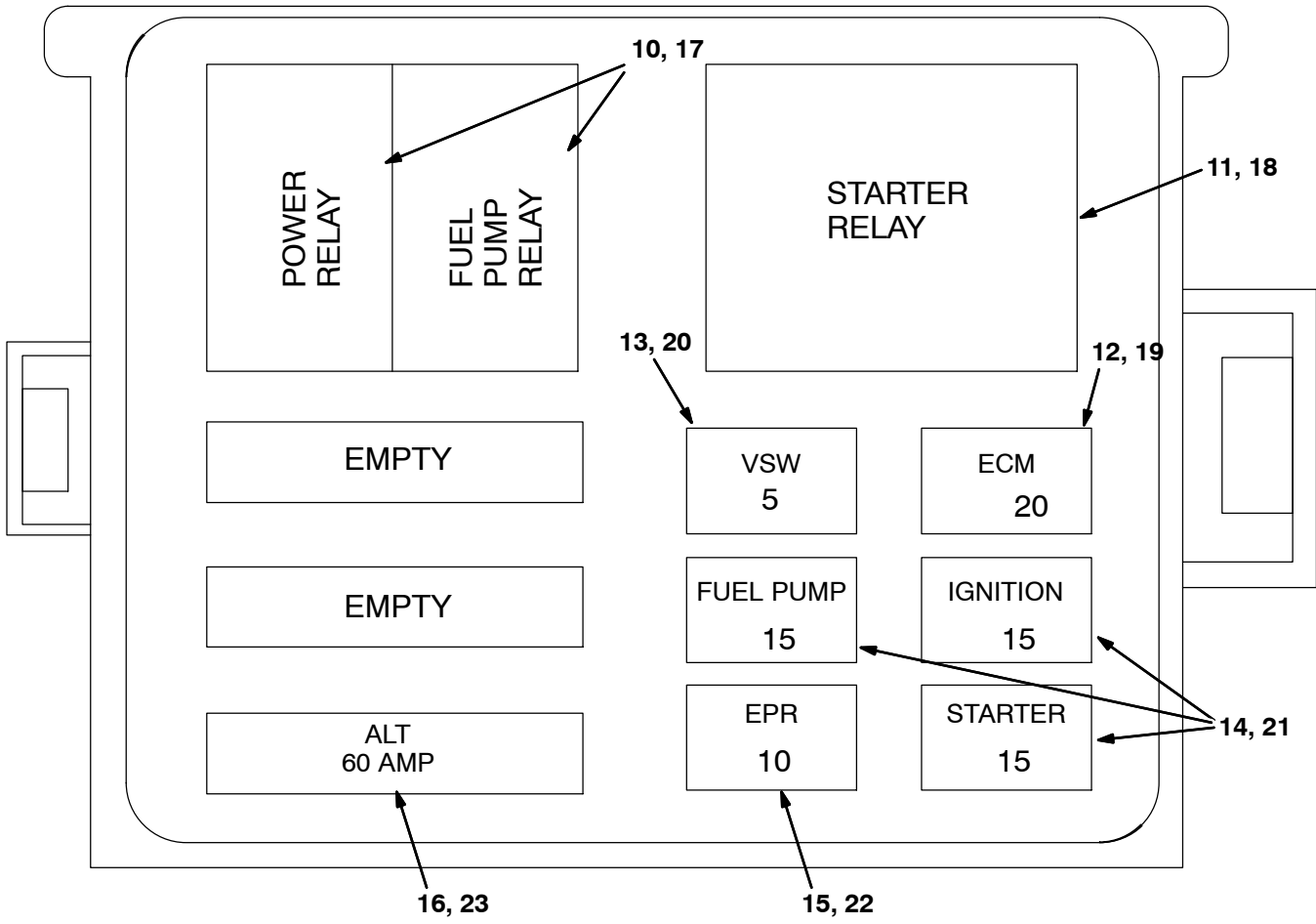
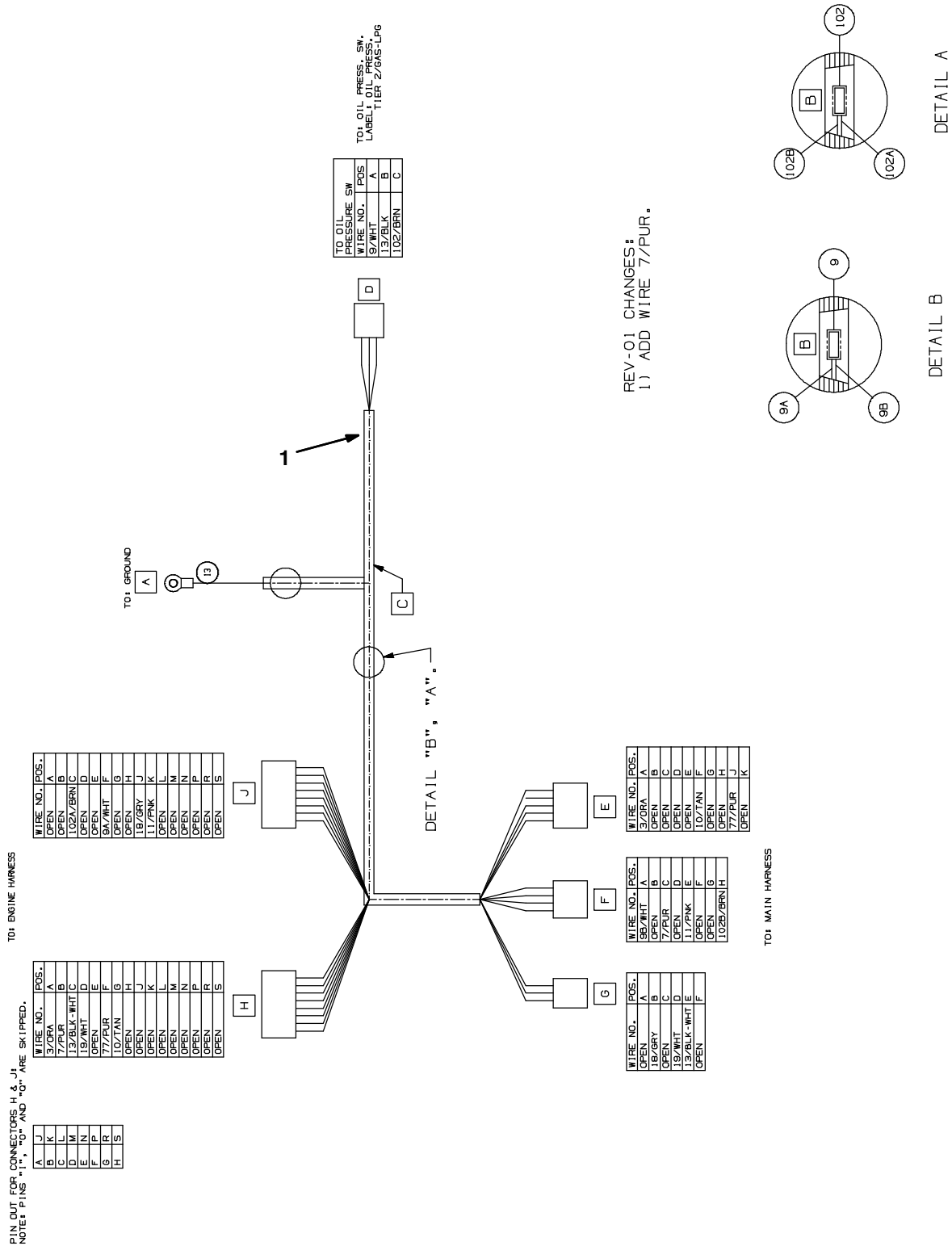


Fig. 96 - Electrical Wire Harness Group, Gasoline/LPG Engine

Ref.	Part No.	Serial Number	Description	Qty.
▽	1	1011018	(000000-001499) Harness, Eng [1.6l, Gm, E-cntrl]	1
▲	2	394916	(000000-001499) Relay, 12vdc, 20a, Spdt	2
▲	3	57804	(000000-001499) Relay, 12vdc, 40a, Spdt	1
▲	4	372235	(000000-001499) Fuse, 5 Amp, [Min-5]	1
▲	5	372237	(000000-001499) Fuse, 20 Amp, [Min-20]	1
▲	6	372236	(000000-001499) Fuse, 15 Amp, [Min-15]	2
▲	7	394921	(000000-001499) Fuse, 50amp	1
	8	1011019	(000000-001499) Harness, Injector, Gas [1.6l,Gm,E-cntrl]	1
	9	1011020	(000000-001499) Harness, Injector, Lpg [1.6l,Gm,E-cntrl]	1
▽		384997	(001500-002140) Harness, Wire, Eng, Gas [Gm 1.6L]	1
▲	10	394916	(001500-002140) Relay, 12vdc, 20a, Spdt	2
▲	11	57804	(001500-002140) Relay, 12vdc, 40a, Spdt	1
▲	12	372237	(001500-002140) Fuse, 20 Amp, [Min-20]	1
▲	13	372235	(001500-002140) Fuse, 5 Amp, [Min-5]	1
▲	14	372236	(001500-002140) Fuse, 15 Amp, [Min-15]	2
▲	15	384999	(001500-002140) Fuse, 10 Amp	1
▲	16	384998	(001500-002140) Fuse, 60 Amp	1
▽		1063457	(002141-004999) Harness, Wire, Eng, Gas [GM 1.6L 10]	1
▲	10	394916	(002141-004999) Relay, 12vdc, 20a, Spdt	2
▲	11	57804	(002141-004999) Relay, 12vdc, 40a, Spdt	1
▲	12	372237	(002141-004999) Fuse, 20 Amp, [Min-20]	1
▲	13	372235	(002141-004999) Fuse, 5 Amp, [Min-5]	1
▲	14	372236	(002141-004999) Fuse, 15 Amp, [Min-15]	2
▲	15	384999	(002141-004999) Fuse, 10 Amp	1
▲	16	384998	(002141-004999) Fuse, 60 Amp	1
▽		384990	(001500-002140) Harness, Wire, Eng, Lpg [Gm 1.6l]	1
▲	17	394916	(001500-002140) Relay, 12vdc, 20a, Spdt	2
▲	18	57804	(001500-002140) Relay, 12vdc, 40a, Spdt	1
▲	19	372237	(001500-002140) Fuse, 20 Amp, [Min-20]	1
▲	20	372235	(001500-002140) Fuse, 5 Amp, [Min-5]	1
▲	21	372236	(001500-002140) Fuse, 15 Amp, [Min-15]	2
▲	22	384999	(001500-002140) Fuse, 10 Amp	1
▲	23	384998	(001500-002140) Fuse, 60 Amp	1
▽		1063456	(002141-004999) Harness, Wire, Eng, Lpg [Gm 1.6l 10]	1
▲	17	394916	(002141-004999) Relay, 12vdc, 20a, Spdt	2
▲	18	57804	(002141-004999) Relay, 12vdc, 40a, Spdt	1
▲	19	372237	(002141-004999) Fuse, 20 Amp, [Min-20]	1
▲	20	372235	(002141-004999) Fuse, 5 Amp, [Min-5]	1
▲	21	372236	(002141-004999) Fuse, 15 Amp, [Min-15]	2
▲	22	384999	(002141-004999) Fuse, 10 Amp	1
▲	23	384998	(002141-004999) Fuse, 60 Amp	1
		1071653	(005000-) Harness, Wire, Eng, Gas [Mit, 2.0L]	1
		1071654	(005000-) Harness, Wire, Eng, Lpg[Mit, 2.0L]	1

STANDARD PARTS

Fig. 97 – Electrical Wire Harness Group, Gasoline/LPG Engine Adapter Harness without Telemetry



354389-354459

Ref.	Part No.	Serial Number	Description	Qty.
1	1071642	(001500-) Harness, Wire, Gas/Lpg [Eng Adapt]	1

Fig. 98 – Label Group

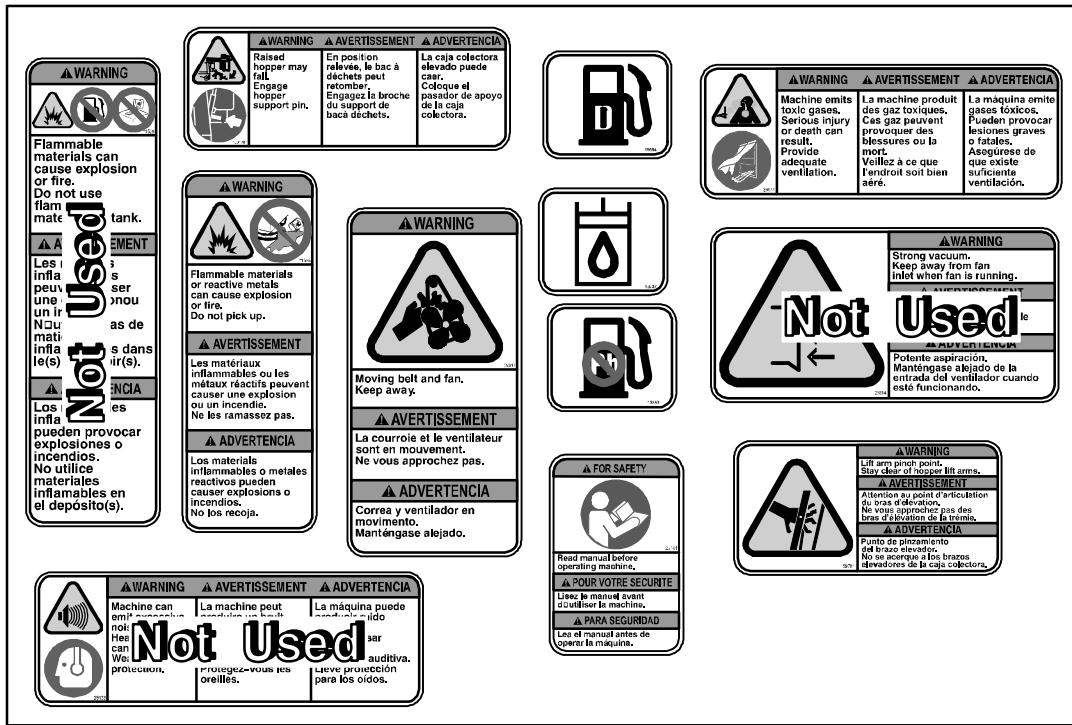
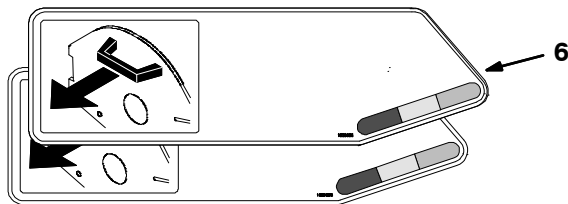
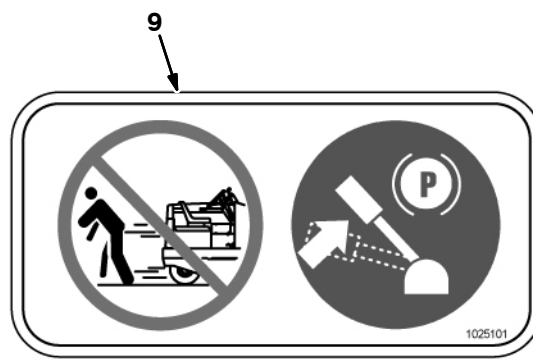
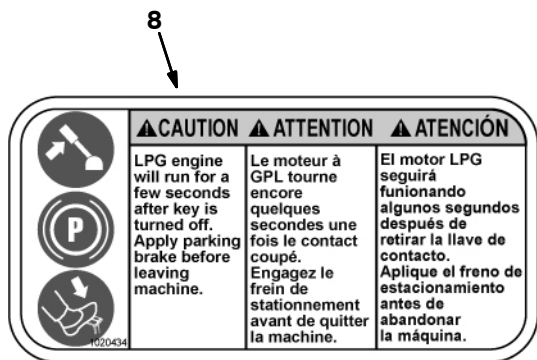


Fig. 98 – Label Group



T20 – G/LP

Ref.	Part No.	Serial Number	Description	Qty.
1	77221	(000000–)	Label Set, Info/Hzrd, Swpr / Scrbr	1
2	1017141	(000000–)	Label Set, Hi Temp	1
3	1065343	(000000–)	Label, Logo, 05.75L 2Color [ES]	3
4	1065342	(000000–)	Label, Logo, 07.95L 2Color [FaST]	3
5	1050003	(000000–)	Label [User, Attention, ec-H2O]	2
6	1031017	(000000–)	Label Set, Brush Indicator & Removal	1
7	1032450	(000000–)	Label Set, Info/Hzrd, Swpr / Scrbr, Tj (Japan Only)	1
8	1020434	(000000–)	Label, Caution [Apply Parking Brake]	1
9	1025101	(000000–)	Label, Caution [Apply Parking Brake] (Japan Only)	1
10	1064661	(000000–)	Label, Model, 2Color [T20]	2
11	1062813	(000000–)	Label, Logo, 12.3L 4Color [ec-H2O]	1
12	1064440	(000000–)	Label, Logo, 16.9L 4Color [ec-H2O]	1

SECTION 3

Contents	Page
Fig. 1 – ES Pump Group	3-2
Fig. 2 – ES Tanks Group	3-4
Fig. 3 – Side Brush Motor Group (000000–002115)	3-6
Fig. 4 – Side Brush Motor Group (002116–)	3-8
Fig. 5 – Side Brush Lift Group	3-10
Fig. 6 – Side Brush Solution Control Group	3-12
Fig. 7 – Side Brush Hydraulic Valve Group	3-14
Fig. 8 – Side Brush Hydraulic Hose Group	3-16
Fig. 9 – FaST Solution Pump Group (000000–001742)	3-18
Fig. 10 – FaST Air Pump and Detergent Group (000000–001742)	3-20
Fig. 11 – FaST Foam Filter Group, Cylindrical Scrub Head (000000–001742)	3-22
Fig. 12 – FaST Foam Filter Group, Cylindrical Scrub Head with Side Brush (000000–001742)	3-24
Fig. 13 – FaST Foam Filter Group, Disk Scrub Head (000000–001742)	3-26
Fig. 14 – FaST Foam Filter Group, Disk Scrub Head with Side Brush (000000–001742)	3-28
Fig. 15 – FaST Wire Harness Group (000000–001742)	3-30
Fig. 16 – FaST Pumps and Detergent Group (001743–)	3-32
Fig. 17 – FaST Solution Supply Group, Cylindrical Scrub Head (001743–)	3-34
Fig. 18 – FaST Solution Supply Group with Side Brush, Cylindrical Scrub Head (001743–)	3-36
Fig. 19 – FaST Solution Supply Group, Disk Scrub Head (001743–)	3-38
Fig. 20 – FaST Solution Supply Group with Side Brush, Disk Scrub Head (001743–)	3-40
Fig. 21 – FaST Wire Harness Group (001743–)	3-42

Contents	Page
Fig. 22 – ec–H2O Solution Pump Group	3-44
Fig. 23 – ec–H2O Solution Pump Supply Group	3-46
Fig. 24 – ec–H2O Solution Supply Group, Cylindrical Scrub Head	3-48
Fig. 25 – ec–H2O Solution Supply Group, Cylindrical Scrub Head with Side Brush	3-50
Fig. 26 – ec–H2O Solution Supply Group, Disk Scrub Head	3-52
Fig. 27 – ec–H2O Solution Supply Group, Disk Scrub Head with Side Brush	3-54
Fig. 28 – ec–H2O Wire Harnesses Group	3-56
Fig. 29 – Backup Alarm Kit	3-59
Fig. 30 – Light Kit, Flashing	3-60
Fig. 31 – Light Kit, Strobe	3-62
Fig. 32 – Light Kit, Flashing Overhead Guard	3-64
Fig. 33 – Light Kit, Strobe Overhead Guard	3-65
Fig. 34 – Overhead Guard Kit	3-66
Fig. 35 – Telemetry Group	3-68
Fig. 36 – Electrical Wire Harness Group, Gasoline/LPG Engine Adapter Harness with Telemetry	3-70
Fig. 37 – Heavy Duty Bumper Kit	3-71
Fig. 38 – Vacuum Wand Kit	3-72
Fig. 39 – Power Wand Hose Assembly	3-74
Fig. 40 – Power Wand Assembly	3-76
Fig. 41 – Power Wand Pump and Mount Group	3-78
Fig. 42 – Power Wand Pump and Mount Group with Spray Nozzle	3-80
Fig. 43 – Spray Nozzle Kit	3-82
Fig. 44 – Spray Nozzle Kit with Power Wand	3-84
Fig. 45 – Transport Kit	3-86
Fig. 46 – Squeegee Guard Kit	3-88
Fig. 47 – Engine Radiator Screen Kit (002093–004999)	3-90
Fig. 48 – Fire Extinguisher Kit	3-92
Fig. 49 – Documentation Group	3-93

Fig. 1 - ES Pump Group

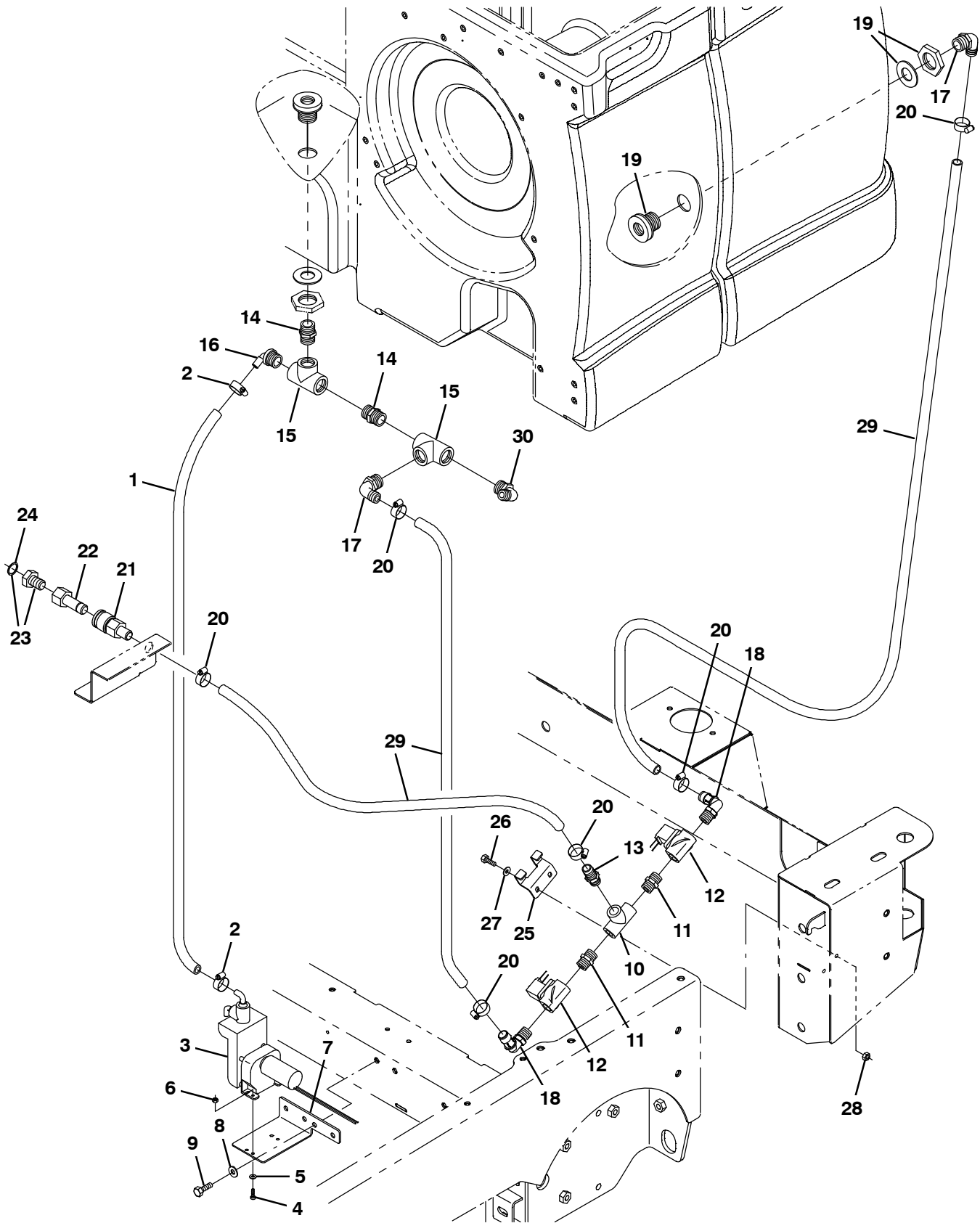


Fig. 1 – ES Pump Group

Ref.	Part No.	Serial Number	Description	Qty.	
1	41295	(000000–) Hose, Pvc, Clr, 0.38id 0.56od 48.00l	1	
2	43844	(000000–) Clamp, Hose, Wormdrive, 0.25–0.62d, .31w	2	
3	73260	(000000–) Pump, Detgt, 14vdc, 150ml/Min 20psi (See Breakdowns)	1	
4	24265	(000000–) Screw, Pan, M4 X 0.7 X 16, Ss	2	
5	01683	(000000–) Washer, Flat, #10, Ss	2	
6	33932	(000000–) Nut, Hex, Lock, M4 X 0.7, NI, Ss	2	
7	1021325	(000000–) Bracket, Mtg, Valve	1	
8	01685	(000000–) Washer, Flat, 0.31, Ss	2	
9	09740	(000000–) Screw, Hex, M8 X 1.25 X 20, Ss	2	
10	79497	(000000–) Fitting, Plstc, Tee, Pf08/Pf08/Pf08	1	
11	86508	(000000–) Fitting, Plstc, Str, Pm08/Pm08	2	
12	73433	(000000–) Valve, Water, Solenoid, 12vdc 0.08pf	2	
13	78398	(000000–) Fitting, Plstc, Str, Bm12/Pm08, Nyl	1	
14	24544	(000000–) Fitting, Plstc, Str, Pm12/Pm12 1.60l	2	
15	42133A	(000000–) Fitting, Plstc, Tee, Pf12/Pf12/Pf12	2	
16	79484	(000000–) Fitting, Plstc, E90, Bm06/Pm12, Nyl	1	
17	14877	(000000–) Fitting, Plstc, E90, Bm12/Pm12	2	
18	63244–2	(000000–) Fitting, Plstc, E90, Bm12/Pm08	2	
19	377349	(000000–) Fitting, Plstc, Pf12/Pf12, Bh	1	
20	63810	(000000–) Clamp, Hose, Wormdrive, 0.56–1.06d, .56w	6	
21	24105	(000000–) Fitting, Brs, Qdc, Bm12/Qf08	1	
22	33295	(000000–) Fitting, Brs, Qdc, Pf08 [Parker Bh3f]	1	
▽	23	375322	(000000–) Fitting Kit, Hose, Garden	1
▲	24	01316	(000000–) Washer, Flat, 0.66b 1.00d .12, Rbr	1
	25	1016837	(000000–) Bracket, Mtg, Valve	1
	26	08716	(000000–) Screw, Hex, M6 X 1.0 X 20, Ss	2
	27	01684	(000000–) Washer, Flat, 0.25, Ss	2
	28	08712	(000000–) Nut, Hex, Lock, M6 X 1.00, Ss, NI	2
	29	1015044	(000000–) Hose, Afmkt, Pvc, Brd 0.75id 12ft	1
	30	14877	(000000–006330) Fitting, Plstc, E90, Bm12/Pm12	1
	30	73468	(006331–) Fitting, Plstc, E90, Bm10/Pm12	1

Fig. 2 - ES Tanks Group

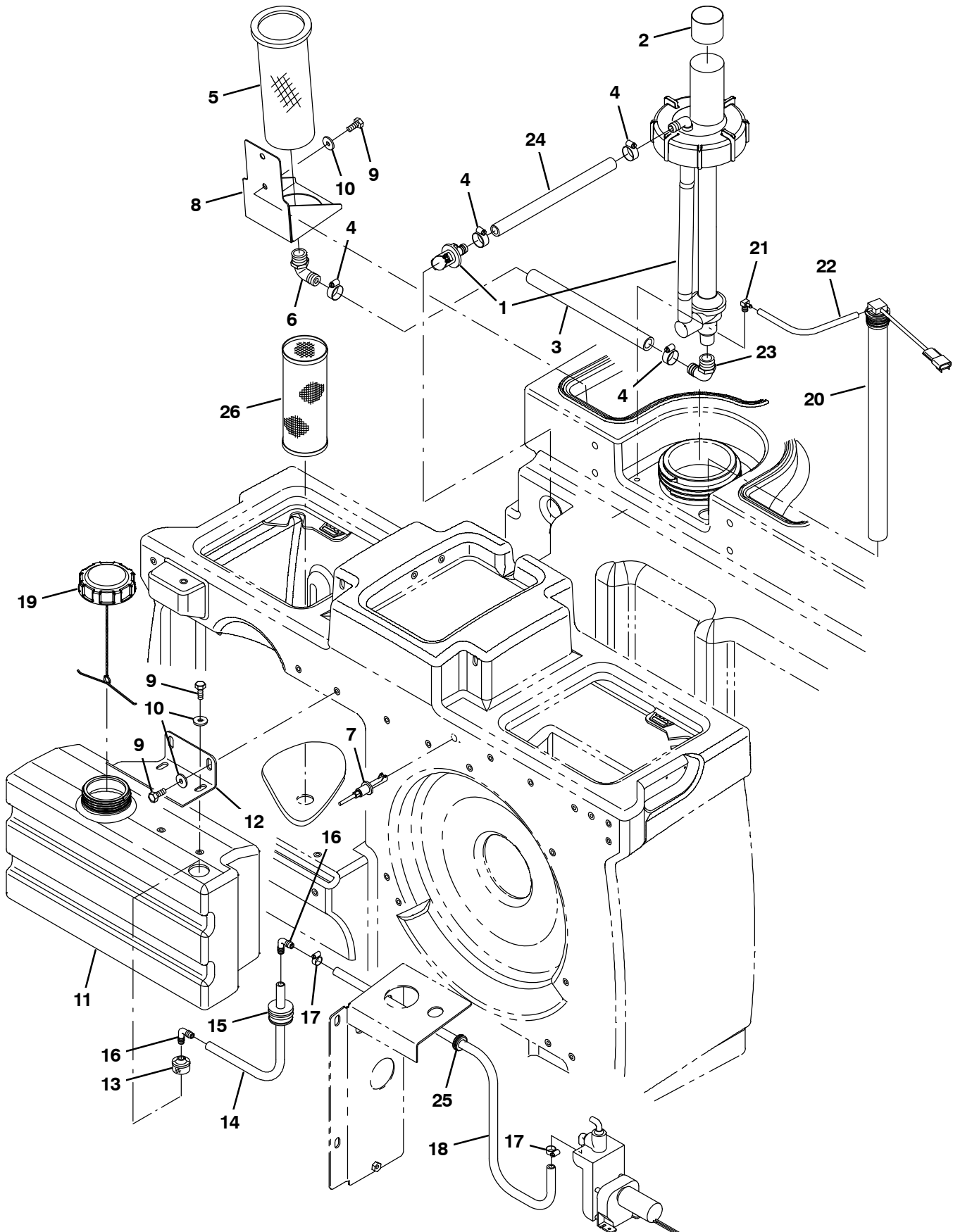


Fig. 2 – ES Tanks Group

Ref.	Part No.	Serial Number	Description	Qty.
1	1021210	(000000–) Pump Assy, Column, Es (See Breakdowns)	1
2	1028697	(000000–) Sleeve, Rbr, 3.50b 3.58d 1.8l	1
3	1015048	(000000–) Hose, Afmkt, Pvc, Brd 0.75id 01ft	1
4	63810	(000000–) Clamp, Hose, Wormdrive, 0.56–1.06d, .56w	4
5	386652	(000000–) Strainer, Soltn, 20 Mesh, Cyl 3.5d 9.5l	1
6	24543	(000000–) Fitting, Plstc, E90, Bm12/Pf12	1
7	385685	(000000–) Sensor, Level, Liq, 14vdc 01a .62–11	1
8	1019636	(000000–) Bracket, Mtg, Strainer	1
9	09740	(000000–) Screw, Hex, M8 X 1.25 X 20, Ss	6
10	1017218	(000000–) Washer, Flat, 0.32b 1.00d .12, Ss	6
11	1022229	(000000–) Tank, Detgt, Trimmed	1
12	1025159	(000000–) Bracket, Mtg, Detgt And Spray Wand	1
13	20952	(000000–) Screen, Pump	1
14	1014974	(000000–) Hose, Afmkt, Pvc, Brd 0.38id 02ft	1
15	20944	(000000–) Grommet, Pye, 0.37id, F/1.5h, .13 Matl	1
16	20951	(000000–) Fitting, Plstc, E90, Bm06/Bm06	2
17	43844	(000000–) Clamp, Hose, Wormdrive, 0.25–0.62d, .31w	2
18	41295	(000000–) Hose, Pvc, Clr, 0.38id 0.56od 48.00l	1
19	1011885	(000000–) Cap, Tank	1
20	1072877	(000000–) Switch Assy, Press, 3.0, 17.5l Tube	1
21	32183	(000000–) Fitting, Brs, E90, Pm02/Bm03	1
22	1031572	(000000–) Hose, Afmkt, Vacuum, 0.16id, 01ft	1
23	14877	(000000–) Fitting, Plstc, E90, Bm12/Pm12	1
24	1015033	(000000–) Hose, Afmkt, Pvc, Brd 0.62ld, 01Ft, Clr	1
25	10632–2	(000000–) Grommet, Rbr, 0.62id, F/0.9h, .12 Matl	1
26	1039019	(000000–) Filter, Soltn, 020mesh, Pm12 3.2d 08.0l	1

Fig. 3 - Side Brush Motor Group (000000-002115)

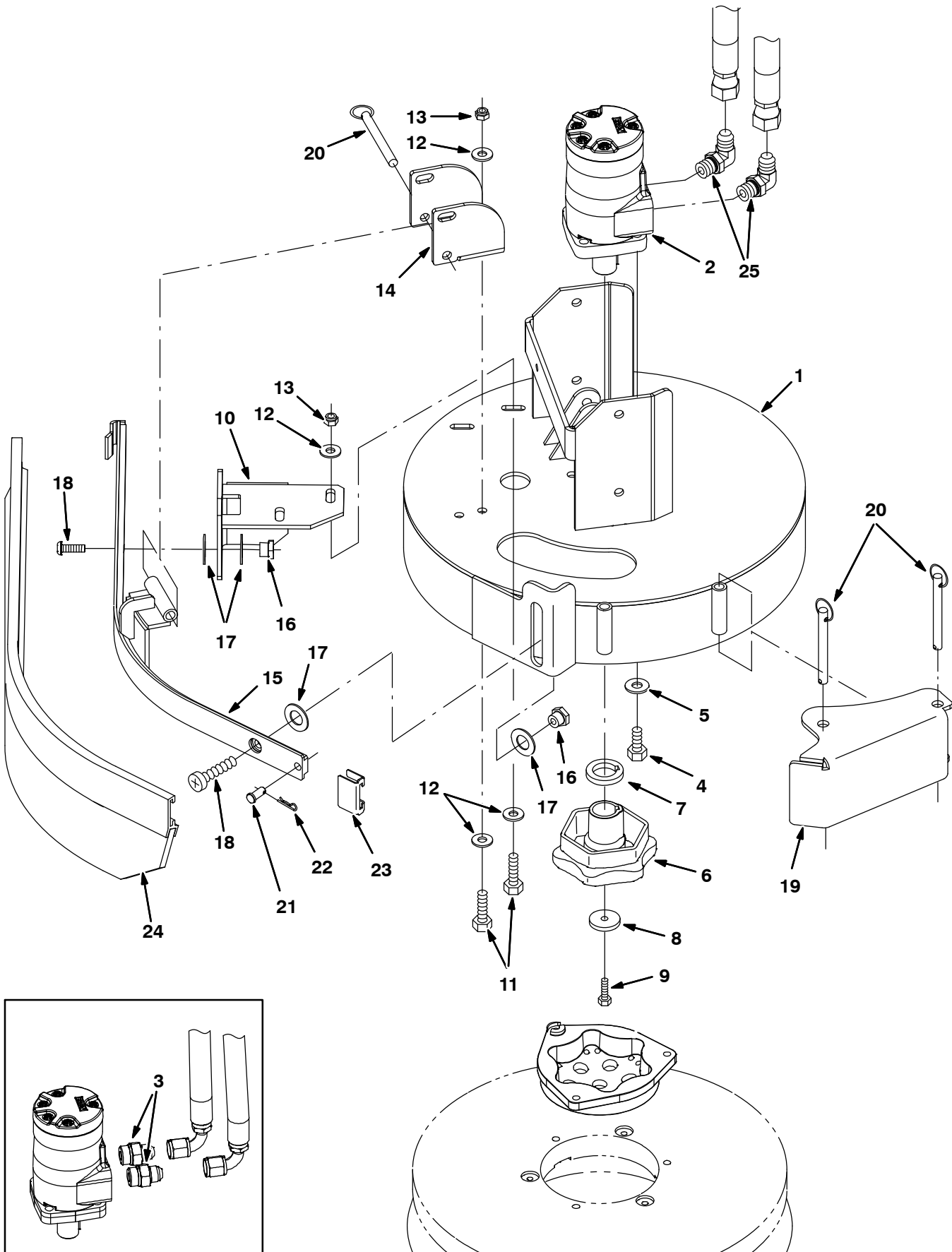


Fig. 3 – Side Brush Motor Group (000000–002115)

Ref.	Part No.	Serial Number	Description	Qty.
1	1021794	(000000–002115)	Bracket Wldt, Mtg, Side Brush	1
2	1029379	(000000–002115)	Motor, Hyd, Gear, Int 08.9 Bi–Dir 2500 (See Breakdowns)	1
3	56692	(000000–001037)	Fitting, Hyd, Str, Jm08/Om10	2
4	01762	(000000–002115)	Screw, Hex, .38–16 X 0.75, NI	4
5	32492	(000000–002115)	Washer, Flat, 0.38 Std	4
6	1042968	(000000–002115)	Hub, Drive, Brush, Disk, 1.00b [6t]	1
7	25611	(000000–002115)	Spacer, Hub, Keyed	1
8	19191	(000000–002115)	Spacer	1
9	25046	(000000–002115)	Screw, Hex, .25–20 X 1.00, 5	1
10	1022135	(000000–002115)	Bracket, Mtg, Sqge	1
11	09010	(000000–002115)	Screw, Hex, M8 X 1.25 X 25, Ss	4
12	01685	(000000–002115)	Washer, Flat, 0.31, Ss	8
13	08713	(000000–002115)	Nut, Hex, Lock, M8 X 1.25, NI, Ss	4
14	1022188	(000000–002115)	Bar, Retainer	1
15	1022111	(000000–002115)	Frame Wldt, Sqge, Side Brush	1
16	1022302	(000000–002115)	Nut, T, M8 X 1.25 X 14.5od X 9.5l	2
17	64425	(000000–002115)	Washer, Thrust, 0.61b 1.25d .06, Fgl	4
18	223470	(000000–002115)	Screw, Btn, M8 X 1.25 X 25, Ss	2
19	1022260	(000000–002115)	Bumper Wldt, Brush, Side	1
20	369359	(000000–002115)	Pin, Hitch, .375d X 3.12l, PI	3
21	46800	(000000–002115)	Pin, Clevis, 0.31d X 0.75l	1
22	08179	(000000–002115)	Pin, Cotter, .094 X 1.00	1
23	86759	(000000–002115)	Retainer, Sqge	1
24	1025005	(000000–002115)	Squeegee Assy, Sba, Linatex	1
24	1027716	(000000–002115)	Squeegee Assy, Sba, Ure	1
25	56821	(001038–002115)	Fitting, Hyd, E90, Jm08/Om10	1

Fig. 4 – Side Brush Motor Group (002116-)

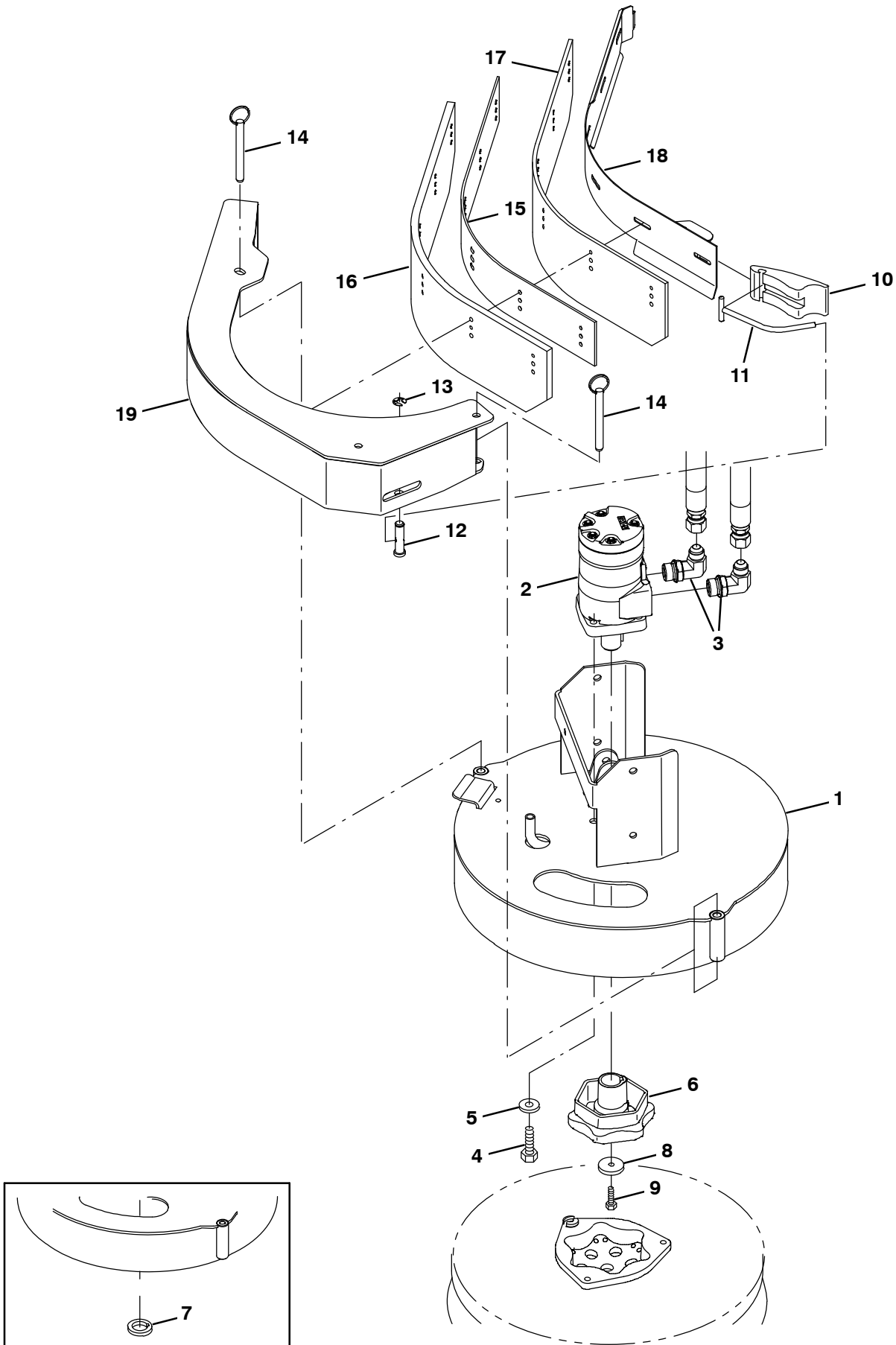


Fig. 4 – Side Brush Motor Group (002116–)

Ref.	Part No.	Serial Number	Description	Qty.	
1	1047002	(002116–)	Bracket Wldt, Mtg, Side Brush Fixed	1	
2	1029379	(002116–002989)	Motor, Hyd, Gear, Int 08.9 Bi-Dir 2500 (See Breakdowns)	1	
▽	2	1068812	(002990–)	Motor, Hyd, Gear, Int 08.9 Bi-Dir 2500	1
▲	22615	(002990–)	Seal Kit, Motor [CI]	1	
3	56821	(002116–)	Fitting, Hyd, E90, Jm08/Om10	2	
4	01762	(002116–)	Screw, Hex, .38–16 X 0.75, NI	4	
5	32492	(002116–)	Washer, Flat, 0.38 Std	4	
6	1042968	(002116–)	Hub, Drive, Brush, Disk, 1.00b [6t]	1	
7	25611	(002116–002989)	Spacer, Hub, Keyed	1	
8	19191	(002116–)	Spacer	1	
9	25046	(002116–)	Screw, Hex, .25–20 X 1.00, 5	1	
10	21601	(002116–)	Cam, Front	1	
11	386298	(002116–)	Pin Wldt, Front	1	
12	21603	(002116–)	Pin, Grvd, 0.43d 01.8l [303ss]	1	
13	24555	(002116–)	Ring, Retaining, Ext, 0.38d, [E-Ring]	1	
14	369359	(002116–)	Pin, Hitch, .375d X 3.12l, PI	2	
15	1046995	(002116–)	Spacer, Sqge, Side Brush, Rbr	1	
16	1046980	(002116–)	Blade, Sqge, Side Brush, Linatex	1	
16	1059091	(002116–)	Blade, Sqge, Side Brush, Urethane	1	
17	1047238	(002116–)	Blade, Sqge, Side Brush, Linatex	1	
17	1059092	(002116–)	Blade, Sqge, Side Brush, Urethane	1	
18	1047060	(002116–)	Plate Wldt, Retainer, Sqge	1	
19	1046976	(002116–)	Bumper Wldt, Brush, Side	1	

Fig. 5 – Side Brush Lift Group

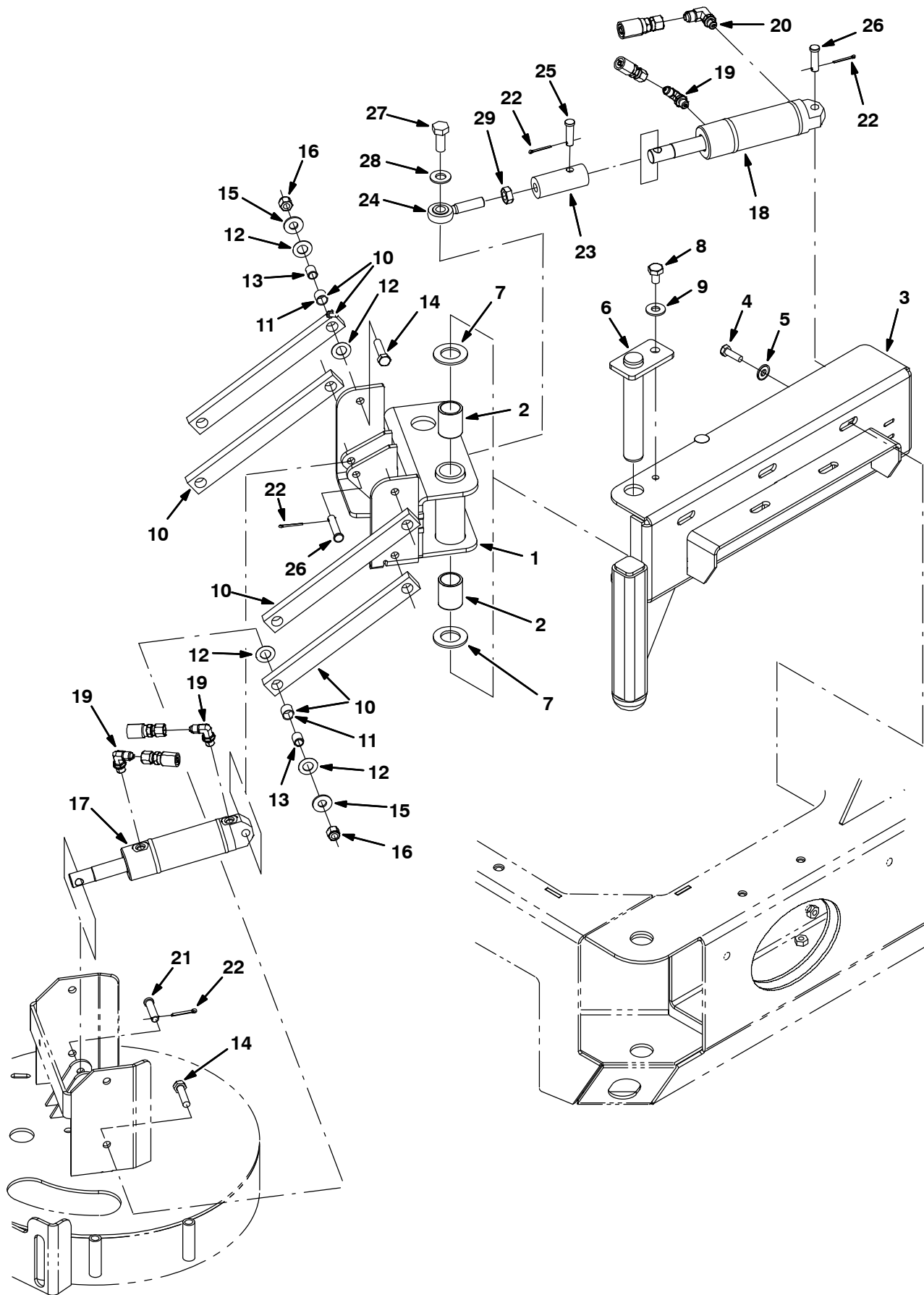


Fig. 5 – Side Brush Lift Group

Ref.	Part No.	Serial Number	Description	Qty.
1	1021439	(000000–) Pivot Wldt, Brush, Side	1
2	71868	(000000–) Bushing, Sleeve, 1.00b 1.13d 1.50l, Fgl	2
3	1021473	(000000–) Channel Wldt, Pivot	1
4	09010	(000000–) Screw, Hex, M8 X 1.25 X 25, Ss	5
5	41186	(000000–) Washer, Flat, Belleville, .31	5
6	1021617	(000000–) Pin Wldt	1
7	71869	(000000–) Washer, Thrust, 1.00b 1.75d 0.13w, Fbr	2
8	16735	(000000–) Screw, Hex, M8 X 1.25 X 16, 8.8	1
9	32491	(000000–) Washer, Flat, 0.31, Std	1
▽	10	63175–1	(000000–) Arm, Link	4
▲	11	63233	(000000–) Bushing, Sleeve, 0.50b 0.59d 0.50l, Bnz	2
	12	59633	(000000–) Bearing, Thrust, 0.53b 1.00d 0.03w	16
	13	1027926	(000000–) Sleeve, P/M, 0.37b 0.50d 0.6l [430ss]	8
	14	36845	(000000–) Screw, Hex, .38–16 X 1.50, Ss	8
	15	01685	(000000–) Washer, Flat, 0.31, Ss	8
	16	59156	(000000–) Nut, Hex, Lock, .38–16, Ni, Ss	8
	17	1038137	(000000–) Cylinder, Hyd, 1.5b 07.8l 02.80strk 2500	1
	18	1038115	(000000–) Cylinder, Hyd, 1.5b 07.8l 02.75strk 2500	1
	19	77097	(000000–) Fitting, Hyd, E90, Jm04/Om04	3
	20	77098	(000000–) Fitting, Hyd, E90, Jm06/Om04	1
	21	29558	(000000–) Pin, Clevis, 0.37d X 1.50l	1
	22	08179	(000000–) Pin, Cotter, .094 X 1.00	4
	23	1021564	(000000–) Adapter, Rod–End, Side Brush	1
	24	71874	(000000–) Rod–End, .50–20rh Mal 0.50b	1
	25	29557	(000000–) Pin, Clevis, 0.37d X 1.31l	1
	26	17461	(000000–) Pin, Clevis, 0.37d X 1.75l	2
	27	41346	(000000–) Screw, Hex, M12 X 1.75 X 30, 8.8	1
	28	32486	(000000–) Washer, Flat, 0.50 Sae	1
	29	48985	(000000–) Nut, Hex, Jam, .50–20	1

Fig. 6 – Side Brush Solution Control Group

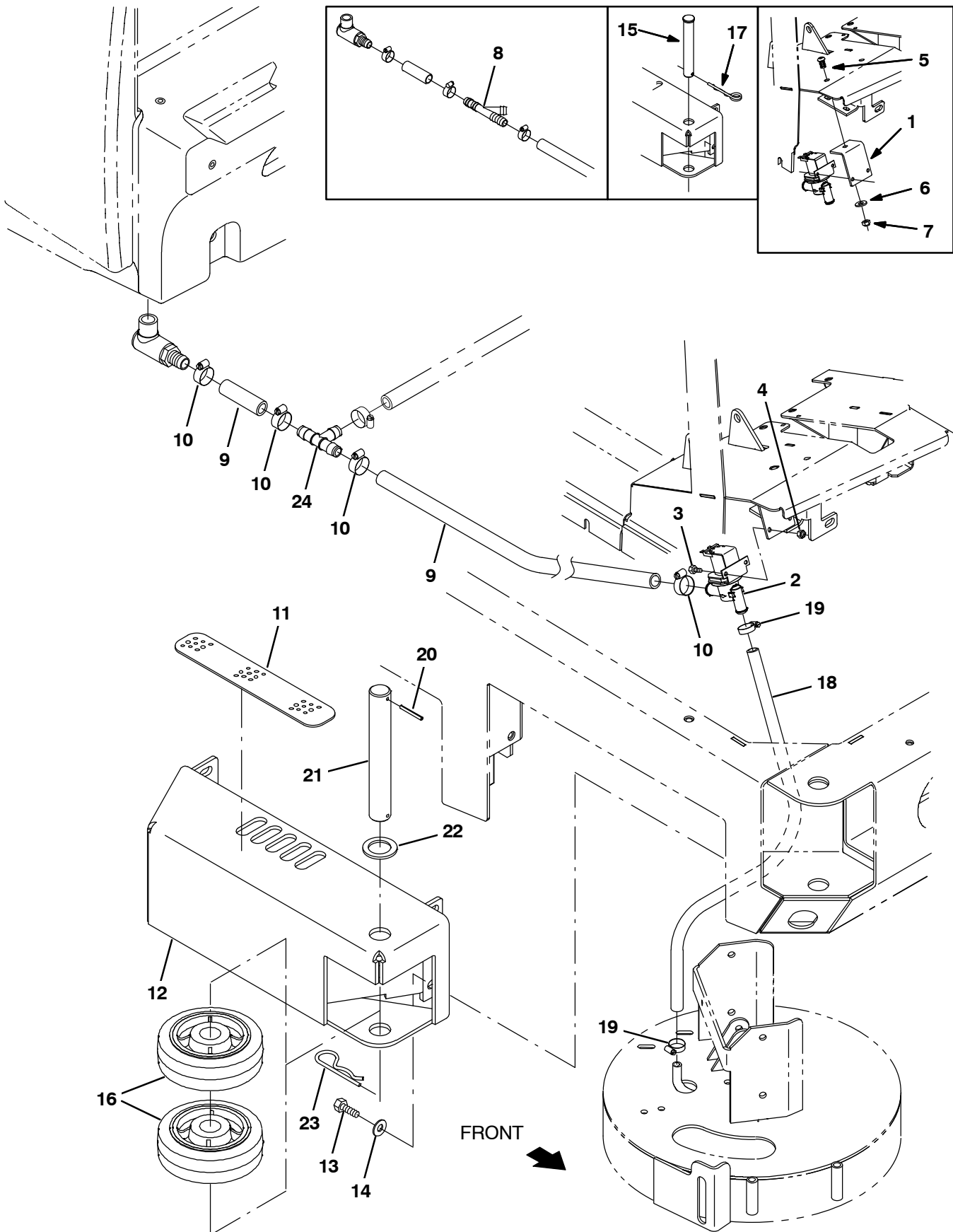


Fig. 6 – Side Brush Solution Control Group

Ref.	Part No.	Serial Number	Description	Qty.
1	1040834	(000000-001602)	Angle, Mtg, Valve	1
2	1022106	(000000-)	Valve Assy, Water, Solenoid, 12vdc	1
3	09738	(000000-)	Screw, Hex, M5 X 0.8 X 12, Ss	2
4	09739	(000000-)	Nut, Hex, Lock, M5 X 0.8, NI, Ss	2
5	17284	(000000-001602)	Screw, Btn, M8 X 1.25 X 16, Ss	1
6	32491	(000000-001602)	Washer, Flat, 0.31, Std	1
7	08713	(000000-001602)	Nut, Hex, Lock, M8 X 1.25, NI, Ss	1
8	393255	(000000-006330)	Fitting, Plstc, Tee, Bm12/Bm12/Bm12	1
9	1015045	(000000-006330)	Hose, Afmkt, Pvc, Brd 0.75id 08ft	1
9	1015032	(006331-)	Hose, Afmkt, Pvc, Brd 0.62id 08ft	1
10	63810	(000000-)	Clamp, Hose, Wormdrive, 0.56-1.06d, .56w	4
11	82839	(000000-)	Tread, Non-Skid, 02.2w 11.5l	1
12	1022318	(000000-)	Guard Wldt, Brush, Side	1
13	12317	(000000-)	Screw, Hex, M10 X 1.5 X 30, Ss	4
14	01686	(000000-)	Washer, Flat, 0.44b 1.00d .08, Ss	4
15	9006334	(000000-002102)	Pin Kit, Wheel, Ci [M20/T20/M30]	1
16	1060130	(000000-)	Wheel, 06.0D 2.00W 1.19B, Gray Rbr	2
17	761490	(000000-002102)	Pin, Cotter, Hair, Dbl	1
18	50178	(000000-)	Hose, Pvc, Clr, 0.50id 0.69od 26.00l	1
19	54333	(000000-)	Clamp, Hose, Wormdrive, 0.31-0.88d, .31w	2
20	23146	(002103-)	Pin, Roll, .187d X 1.62l, .187/.192	1
21	1053838	(002103-)	Pin, 30mmd X 215mml	1
22	47719	(002103-)	Washer, Flat, 1.26b 1.88d .13, Stl	1
23	34411	(002103-)	Pin, Cotter, Hair, 1.00d .178 Wir	1
24	1062116	(006331-)	Fitting, Plstc, Tee, Bm10/Bm10/Bm10, Nyl	1

Fig. 7 – Side Brush Hydraulic Valve Group

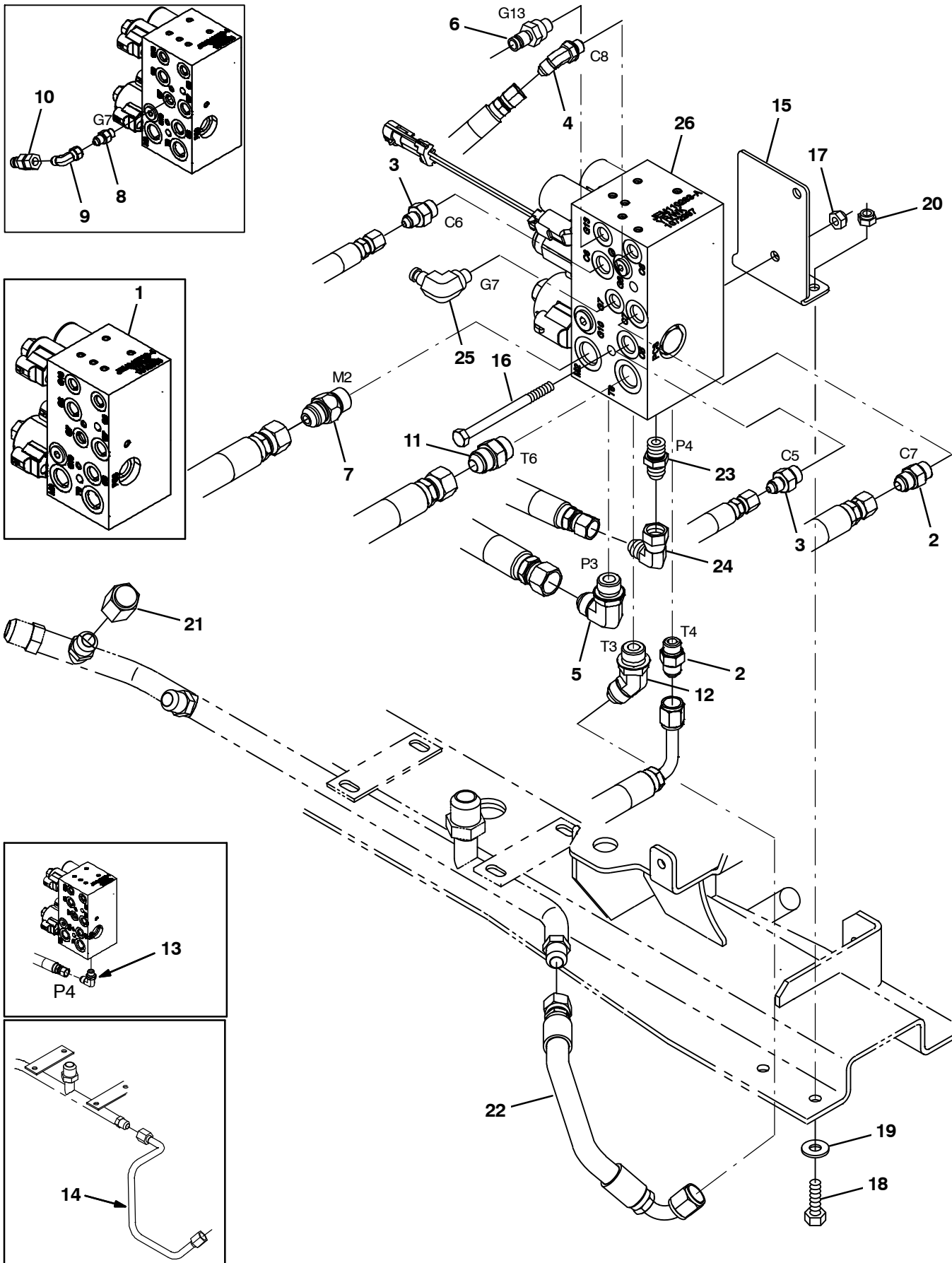


Fig. 7 – Side Brush Hydraulic Valve Group

Ref.	Part No.	Serial Number	Description	Qty.
1	1018938	(000000–001503)	Valve, Cntrl, Hyd [M20 And T20] (See Breakdowns)	1
1	1037805	(001504–005300)	Valve, Hyd, Solenoid 12vdc 3000psi (See Breakdowns)	1
2	56690	(000000–)	Fitting, Hyd, Str, Jm06/Om06	2
3	55685	(000000–)	Fitting, Hyd, Str, Jm04/Om06	2
4	34359	(000000–)	Fitting, Hyd, E45, Jm04/Om04	1
5	44868	(000000–)	Fitting, Hyd, E90, Jm08/Om08	1
6	395973	(000000–)	Fitting, Hyd, Str, Om04/Qm04	1
7	1026119	(000000–)	Valve, Hyd, Check, Jm08/Om08 5000psi	1
8	55586	(000000–002049)	Fitting, Hyd, Str, Jm04/Om04	1
9	39210	(000000–002049)	Fitting, Hyd, E90, Jf04/Jm04	1
10	396476	(000000–002049)	Fitting, Hyd, Str, Jf04/Qm04	1
11	44869	(000000–)	Fitting, Hyd, Str, Jm08/Om08	1
12	42226	(000000–)	Fitting, Hyd, E45, Jm08/Om08	1
13	56820	(000000–001503)	Fitting, Hyd, E90, Jm06/Om06	1
14	1025405	(000000–001040)	Tube, Hyd, 08 Jf08/Jf08	1
15	1045272	(000000–)	Bracket, Valve, Sba [M20 And T20]	1
16	364441	(000000–)	Screw, Hex, M8 X 1.25 X 110, Ss	2
17	08709	(000000–)	Nut, Hex, Lock, M8 X 1.25, NI	2
18	09010	(000000–)	Screw, Hex, M8 X 1.25 X 25, Ss	2
19	32491	(000000–)	Washer, Flat, 0.31, Std	2
20	08713	(000000–)	Nut, Hex, Lock, M8 X 1.25, NI, Ss	2
21	60090	(000000–)	Fitting, Hyd, Cap, Jf08	1
22	1037011	(001041–)	Hose, Hyd, Tc08, Jf08str/Jf08e90, 012.0	1
23	56690	(001504–)	Fitting, Hyd, Str, Jm06/Om06	1
24	47504	(001504–)	Fitting, Hyd, E90, Jf06/Jm06	1
25	395974	(002050–)	Fitting, Hyd, E90, Om04/Qm04	1
26	1072997	(005301–)	Valve, Cntrl, Hyd, Solenoid, 03/16gpm (See Breakdowns)	1

Fig. 8 – Side Brush Hydraulic Hose Group

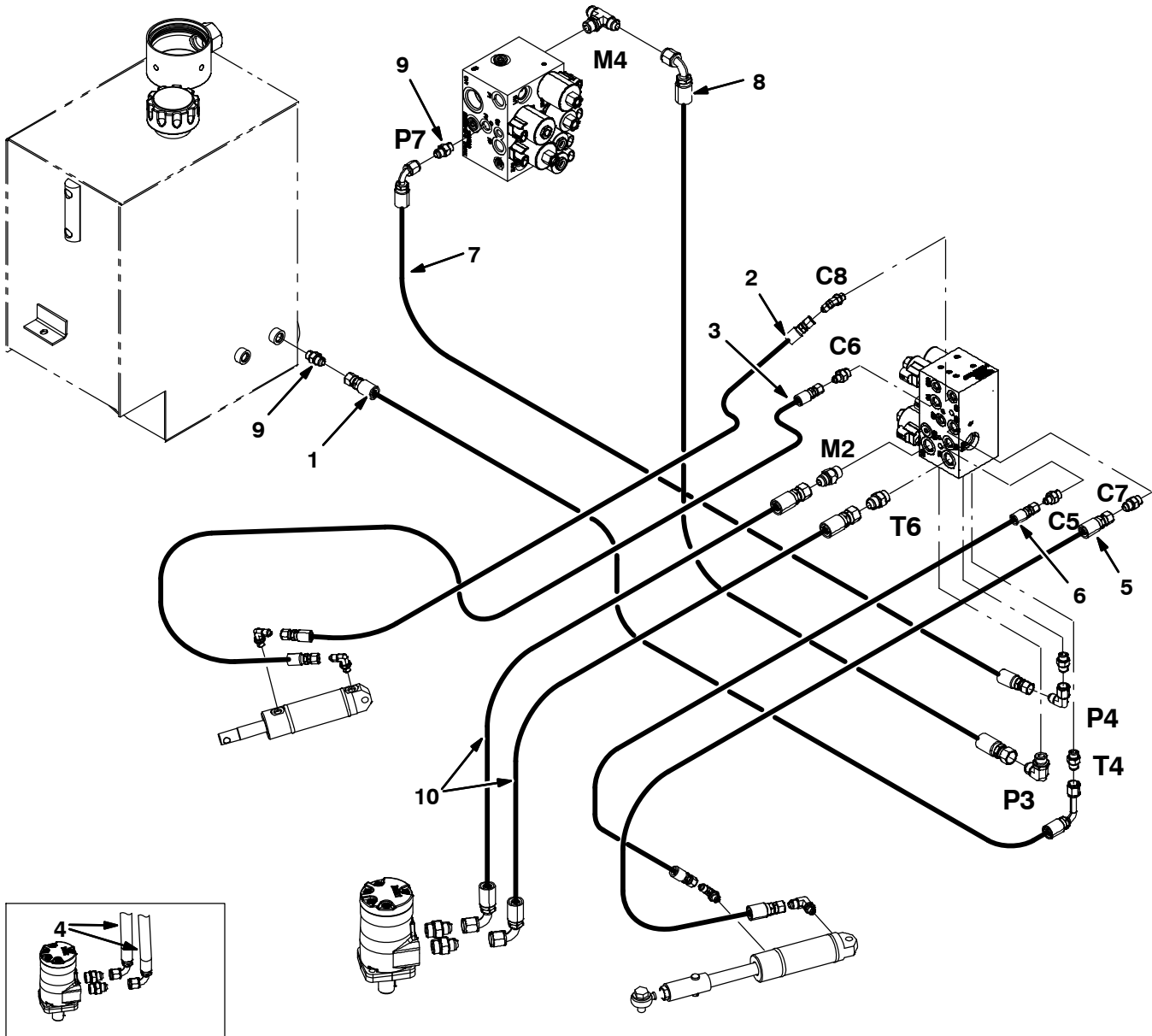


Fig. 8 – Side Brush Hydraulic Hose Group

Ref.	Part No.	Serial Number	Description	Qty.
1	361047	(000000–) Hose, Hyd, Med06, Jf06e90l/Jf06str,038.0	1
2	1023485	(000000–) Hose, Hyd, Tc06, Jf06str/Jf06str, 033.0	1
3	1025990	(000000–) Hose, Hyd, Tc04, Jf04str /Jf04str, 39.0	1
4	1023486	(000000–001037) Hose, Hyd, Tc08, Jf08e90/Jf08str, 034.0	2
5	1025991	(000000–) Hose, Hyd, Tc06, Jf06str /Jf06str, 23.0	1
6	1025992	(000000–) Hose, Hyd, Tc04, Jf04str /Jf04str, 20.0	1
7	1025445	(000000–004999) Hose, Hyd, Tc06, Jf06str /Jf06e90, 74.0	1
7	1036906	(005000–) Hose, Hyd, Tc06, Jf06str /Jf06e90, 74.0	1
8	1028270	(000000–) Hose, Hyd, Tc08, Jf08e90/Jf08str, 084.0	1
9	56690	(000000–) Fitting, Hyd, Str, Jm06/Om06	2
10	1036965	(001038–) Hose, Hyd, Tc08, Jf08Str/Jf08Str, 034.0	2

Fig. 9 – FaST Solution Pump Group (000000–001742)

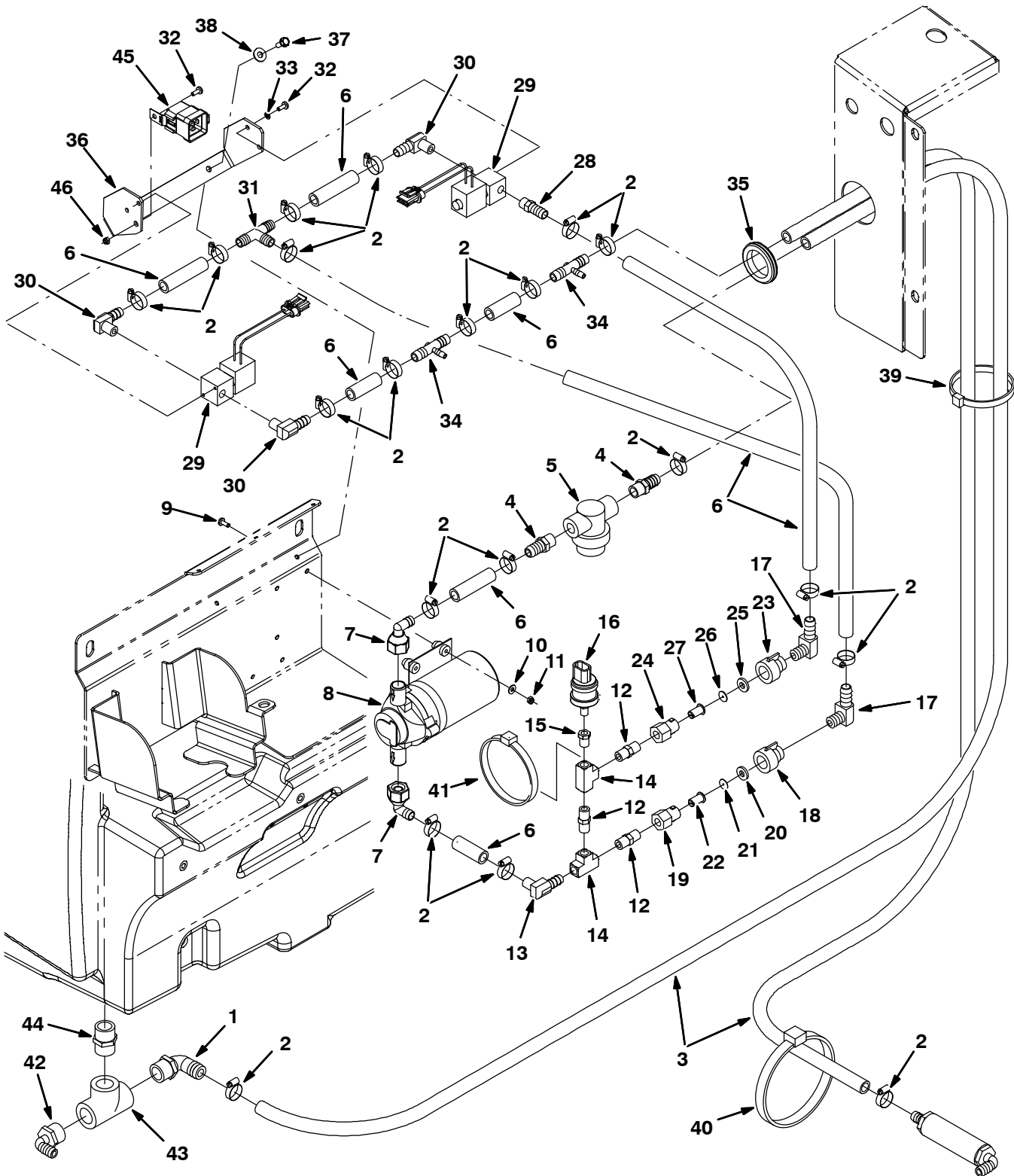


Fig. 9 – FaST Solution Pump Group (000000–001742)

Ref.	Part No.	Serial Number	Description	Qty.	
1	1005552	(000000–001742)	Fitting, Plstc, E90, Bm08/Pm12, Nyl	1	
2	54333	(000000–001742)	Clamp, Hose, Wormdrive, 0.31–0.88d, .31w	1	
3	1011412	(000000–001742)	Hose, Afmkt, Pvc, Brd 0.50id 08ft	1	
4	64743	(000000–001742)	Fitting, Plstc, Str, Bm08/Pm06	2	
5	1005302	(000000–001742)	Filter, In-Line, Pf06/Pf06, 80 Mesh	1	
6	1006401	(000000–001742)	Hose, Afmkt, Pvc, Brd 0.50id 03ft	1	
7	1018499	(000000–001742)	Fitting, Plstc, E90, Bm08/Pf08s, Swivel	2	
8	1030878	(000000–001742)	Pump, Soltn, Ele, 12vdc [W/O Chk Valve]	1	
9	17185	(000000–001742)	Screw, Pan, M5 X 0.8 X 40, Ss	4	
10	01683	(000000–001742)	Washer, Flat, #10, Ss	4	
11	09739	(000000–001742)	Nut, Hex, Lock, M5 X 0.8, NI, Ss	4	
12	398468	(000000–001742)	Fitting, Brs, Str, Pm04/Pm04	3	
13	1010836	(000000–001742)	Fitting, Brs, E90, Bm08/Pm04	1	
14	398474	(000000–001742)	Fitting, Brs, Tee, Pf04/Pf04/Pf04	2	
15	150100	(000000–001742)	Fitting, Brs, Str, Pf02/Pm04	1	
16	1028582	(000000–001742)	Switch, Press, 10psi, Spst	1	
17	1010836	(000000–001742)	Fitting, Brs, E90, Bm08/Pm04	2	
▽	1030864	(000000–001742)	Fitting Assy, Orifice, 0.070b, Pf04/Pf04	1	
▲	18	1005506	(000000–001742)	Fitting, Plstc, Cap, Spray, Pf04	1
▲	19	1005507	(000000–001742)	Fitting, Plstc, Body, Spray, Pf04	1
▲	20	1005508	(000000–001742)	Washer, Flat, 0.34b 0.75d .12 [Viton]	1
▲	21	1018883	(000000–001742)	Plate, Orifice, 0.070id	1
▲	22	1006447	(000000–001742)	Filter, Screen, 50 Mesh .59d .8l Ss	1
▽	1030863	(000000–001742)	Fitting Assy, Orifice, 0.093b, Pf04/Pf04	1	
▲	23	1005506	(000000–001742)	Fitting, Plstc, Cap, Spray, Pf04	1
▲	24	1005507	(000000–001742)	Fitting, Plstc, Body, Spray, Pf04	1
▲	25	1005508	(000000–001742)	Washer, Flat, 0.34b 0.75d .12 [Viton]	1
▲	26	1018884	(000000–001742)	Plate, Orifice, 0.093id	1
▲	27	1006447	(000000–001742)	Filter, Screen, 50 Mesh .59d .8l Ss	1
28	762249	(000000–001742)	Fitting, Brs, Str, Bm08/Pm04	1	
29	1018098	(000000–001742)	Valve, Water, 12vdc, 6.0mm, 04pf	2	
30	1010836	(000000–001742)	Fitting, Brs, E90, Bm08/Pm04	3	
31	63245–1	(000000–001742)	Fitting, Plstc, Tee, Bm08/Bm08/Bm08	1	
32	09200	(000000–001742)	Screw, Pan, M5 X 0.8 X 12, Ss	5	
33	07514	(000000–001742)	Washer, Lock, Int, #10, Ss	4	
34	1010684	(000000–001742)	Fitting, Plstc, Tee, Bm04/Bm08/Bm08, Br	2	
35	10632–19	(000000–001742)	Grommet, Rbr, 2.13id, F/2.5h, .12 Matl	1	
36	1026074	(000000–001742)	Plate, Hsng [FaST]	1	
37	361339	(000000–001742)	Screw, Hex, M6 X 1.0 X 16, Fmg	4	
38	32490	(000000–001742)	Washer, Flat, 0.25 Std	4	
39	49266	(000000–001742)	Tie, Cable, Nyl, 07.3l .19w 1.8 Max D	1	
40	763116	(000000–001742)	Tie, Cable, Nyl, 15.3l . W 4.5 Max D	1	
41	763114	(000000–001742)	Tie, Cable, 11.3l, 2.75d Max	1	
42	14877	(000000–001742)	Fitting, Plstc, E90, Bm12/Pm12	1	
43	42133A	(000000–001742)	Fitting, Plstc, Tee, Pf12/Pf12/Pf12	1	
44	24544	(000000–001742)	Fitting, Plstc, Str, Pm12/Pm12 1.60l	1	
45	56186	(000000–001742)	Relay, 12vdc, 40a, Spdt N/O	1	
46	09739	(000000–001742)	Nut, Hex, Lock, M5 X 0.8, NI, Ss	1	

Fig. 10 – FaST Air Pump and Detergent Group (000000-001742)

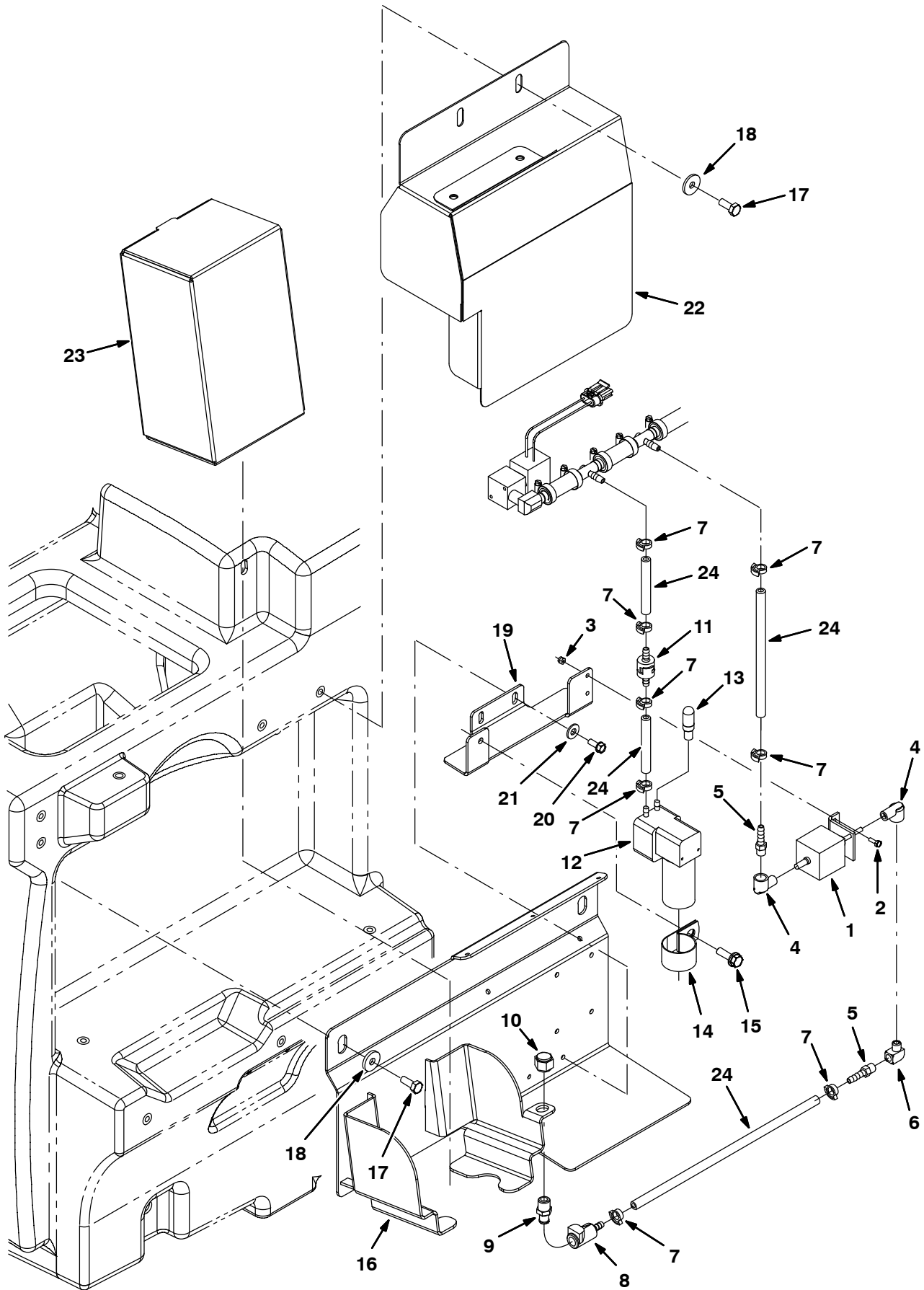


Fig. 10 – FaST Air Pump and Detergent Group (000000–001742)

Ref.	Part No.	Serial Number	Description	Qty.
1	1018097	(000000–001742)	Pump, Detgt, 12vdc	1
2	09206	(000000–001742)	Screw, Hex, M4 X 0.7 X 12, 8.8	2
3	02850	(000000–001742)	Nut, Hex, Lock, M4 X 0.7, NI	2
4	1014082	(000000–001742)	Fitting, Brs, E90, Cf03/Pf02	2
5	150525	(000000–001742)	Fitting, Brs, Str, Bm04/Pm02	2
6	11984	(000000–001742)	Fitting, Pipe, E90, Pf02/Pm02	1
7	1014575	(000000–001742)	Clamp, Hose, Plstc .351–.394 Id	8
8	1002898	(000000–001742)	Fitting, Plstc, Str, Bm04, Cplg, Fem	1
9	1002899	(000000–001742)	Fitting, Plstc, Str, Pm04, Cplg, Mal	1
10	1005435	(000000–001742)	Fitting, Plstc, Pipe, Cap, Pf04	1
11	1013902	(000000–001742)	Valve, Check, 0002psi Bm04/Bm04	1
12	1018780	(000000–001742)	Pump, Air, Ele, 12vdc	1
13	1005255	(000000–001742)	Filter Assy, Air, Mold, Ure	1
14	53466	(000000–001742)	Clamp, Cable, Stl, 1.50d X 1.00w, 1h	1
15	76099	(000000–001742)	Screw, Hex, M8 X 1.25 X 25, Fmg	1
16	1026067	(000000–001742)	Bracket Wldt, Mtg [FaST]	1
17	09740	(000000–001742)	Screw, Hex, M8 X 1.25 X 20, Ss	4
18	1017218	(000000–001742)	Washer, Flat, 0.32b 1.00d .12, Ss	4
19	1029118	(000000–001742)	Bracket, Mtg [FaST]	1
20	361339	(000000–001742)	Screw, Hex, M6 X 1.0 X 16, Fmg	2
21	32490	(000000–001742)	Washer, Flat, 0.25 Std	2
22	1033297	(000000–001742)	Cover Wldt [FaST]	1
23	1017022	(000000–001742)	Detergent Pkg, 2 Liter, Sgl [665]	1
24	1006415	(000000–001742)	Hose, Afmkt, Pvc, Clr 0.25id 03ft	1

Fig. 11 – FaST Foam Filter Group, Cylindrical Scrub Head (000000–001742)

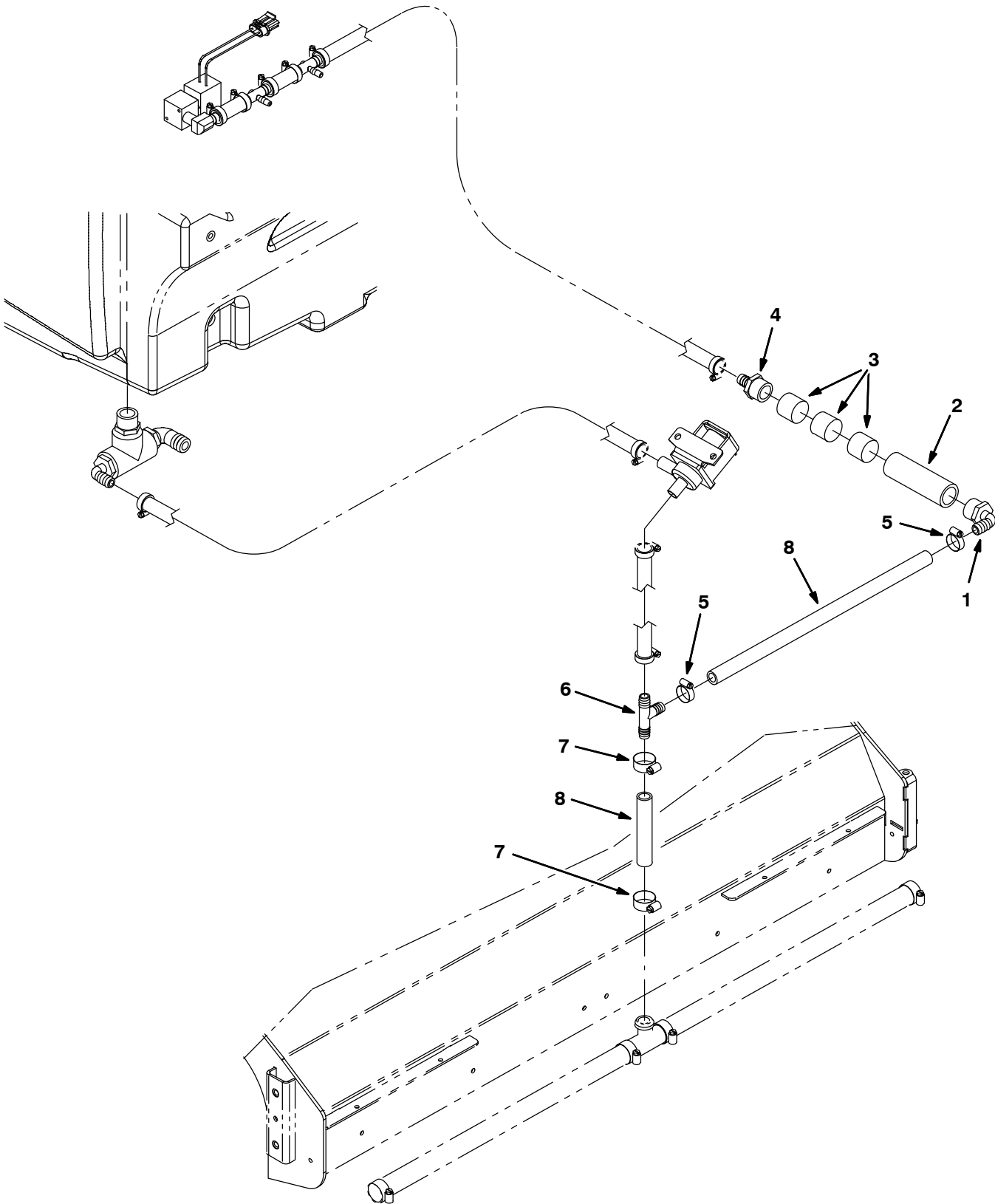


Fig. 11 – FaST Foam Filter Group, Cylindrical Scrub Head (000000–001742)

Ref.	Part No.	Serial Number	Description	Qty.
1	1005552	(000000–001742)	Fitting, Plstc, E90, Bm08/Pm12, Nyl	1
2	1005086	(000000–001742)	Tube, Pvc, Clr, 4.0l [Shc80]	1
3	1002789	(000000–001742)	Filter, Foam, Rbr, 1.20d, 1.0l	3
4	79273–1	(000000–001742)	Fitting, Plstc, Str, Bm08/Pm12	1
5	54333	(000000–001742)	Clamp, Hose, Wormdrive, 0.31–0.88d, .31w	2
6	385644	(000000–001742)	Fitting, Plstc, Tee, Bm08/Bm12/Bm12, Br	1
7	63810	(000000–001742)	Clamp, Hose, Wormdrive, 0.56–1.06d, .56w	2
8	1011521	(000000–001742)	Hose, Afmkt, Pvc, Brd 0.50id 02ft	1

Fig. 12 – FaST Foam Filter Group, Cylindrical Scrub Head with Side Brush (000000–001742)

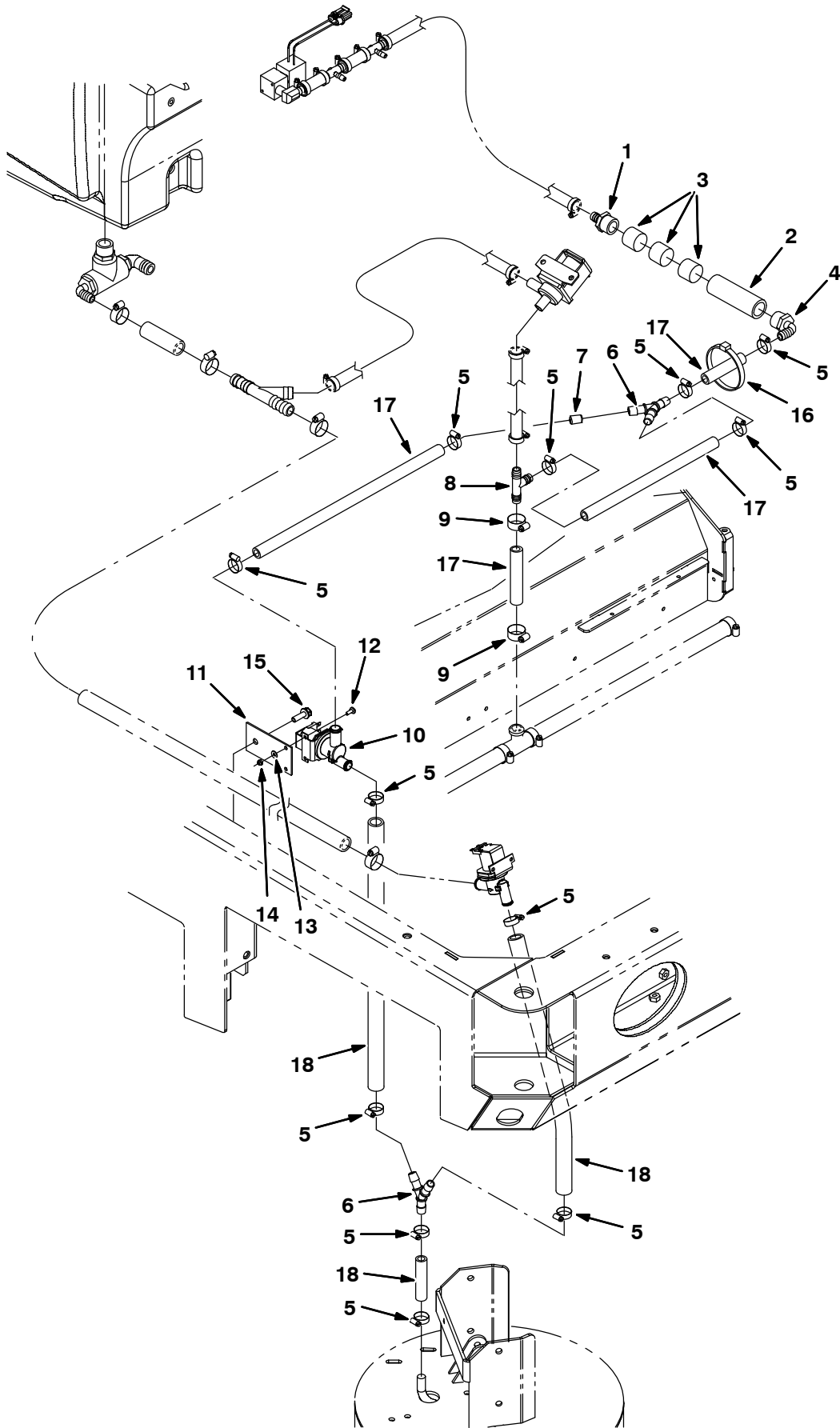


Fig. 12 – FaST Foam Filter Group, Cylindrical Scrub Head with Side Brush (000000–001742)

Ref.	Part No.	Serial Number	Description	Qty.
1	79273-1	(000000–001742)	Fitting, Plstc, Str, Bm08/Pm12	1
2	1005086	(000000–001742)	Tube, Pvc, Clr, 4.0l [Shc80]	1
3	1002789	(000000–001742)	Filter, Foam, Rbr, 1.20d, 1.0l	3
4	1005552	(000000–001742)	Fitting, Plstc, E90, Bm08/Pm12, Nyl	1
5	54333	(000000–001742)	Clamp, Hose, Wormdrive, 0.31–0.88d, .31w	10
6	1010668	(000000–001742)	Fitting, Plstc, Y, Bm08/Bm08/Bm08, Nyl	2
7	1018333	(000000–001742)	Fitting, Plstc, Rst, .50od /.13id	1
8	385644	(000000–001742)	Fitting, Plstc, Tee, Bm08/Bm12/Bm12, Br	1
9	63810	(000000–001742)	Clamp, Hose, Wormdrive, 0.56–1.06d, .56w	2
10	1037825	(000000–001742)	Valve, Solenoid, 12vdc, Water Flow	1
11	1030511	(000000–001742)	Plate, Mtg, Valve	11
12	09200	(000000–001742)	Screw, Pan, M5 X 0.8 X 12, Ss	2
13	01683	(000000–001742)	Washer, Flat, #10, Ss	2
14	09739	(000000–001742)	Nut, Hex, Lock, M5 X 0.8, NI, Ss	2
15	76099	(000000–001742)	Screw, Hex, M8 X 1.25 X 25, Fmg	1
16	763116	(000000–001742)	Tie, Cable, Nyl, 15.3l . W 4.5 Max D	1
17	1011412	(000000–001742)	Hose, Afmkt, Pvc, Brd 0.50id 08ft	1
18	1015067	(000000–001742)	Hose, Afmkt, Pvc, Clr 0.50id 08ft	1

Fig. 13 – FaST Foam Filter Group, Disk Scrub Head (000000-001742)

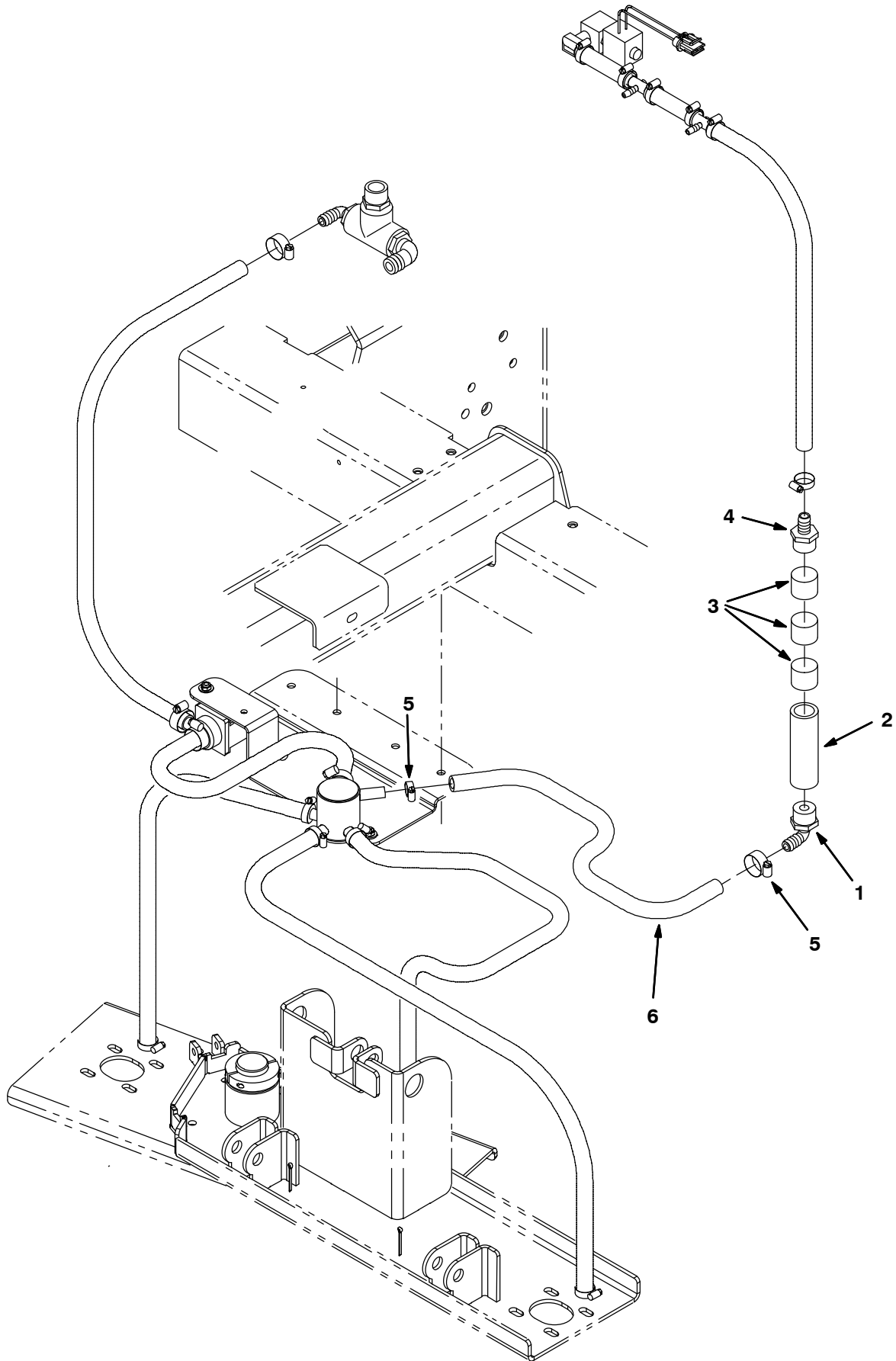


Fig. 13 – FaST Foam Filter Group, Disk Scrub Head (000000–001742)

Ref.	Part No.	Serial Number	Description	Qty.
1	1005552	(000000–001742)	Fitting, Plstc, E90, Bm08/Pm12, Nyl	1
2	1005086	(000000–001742)	Tube, Pvc, Clr, 4.0l [Shc80]	1
3	1002789	(000000–001742)	Filter, Foam, Rbr, 1.20d, 1.0l	3
4	79273–1	(000000–001742)	Fitting, Plstc, Str, Bm08/Pm12	1
5	54333	(000000–001742)	Clamp, Hose, Wormdrive, 0.31–0.88d, .31w	2
6	1011521	(000000–001742)	Hose, Afmkt, Pvc, Brd 0.50id 02ft	1

Fig. 14 - FaST Foam Filter Group, Disk Scrub Head with Side Brush (00000-001742)

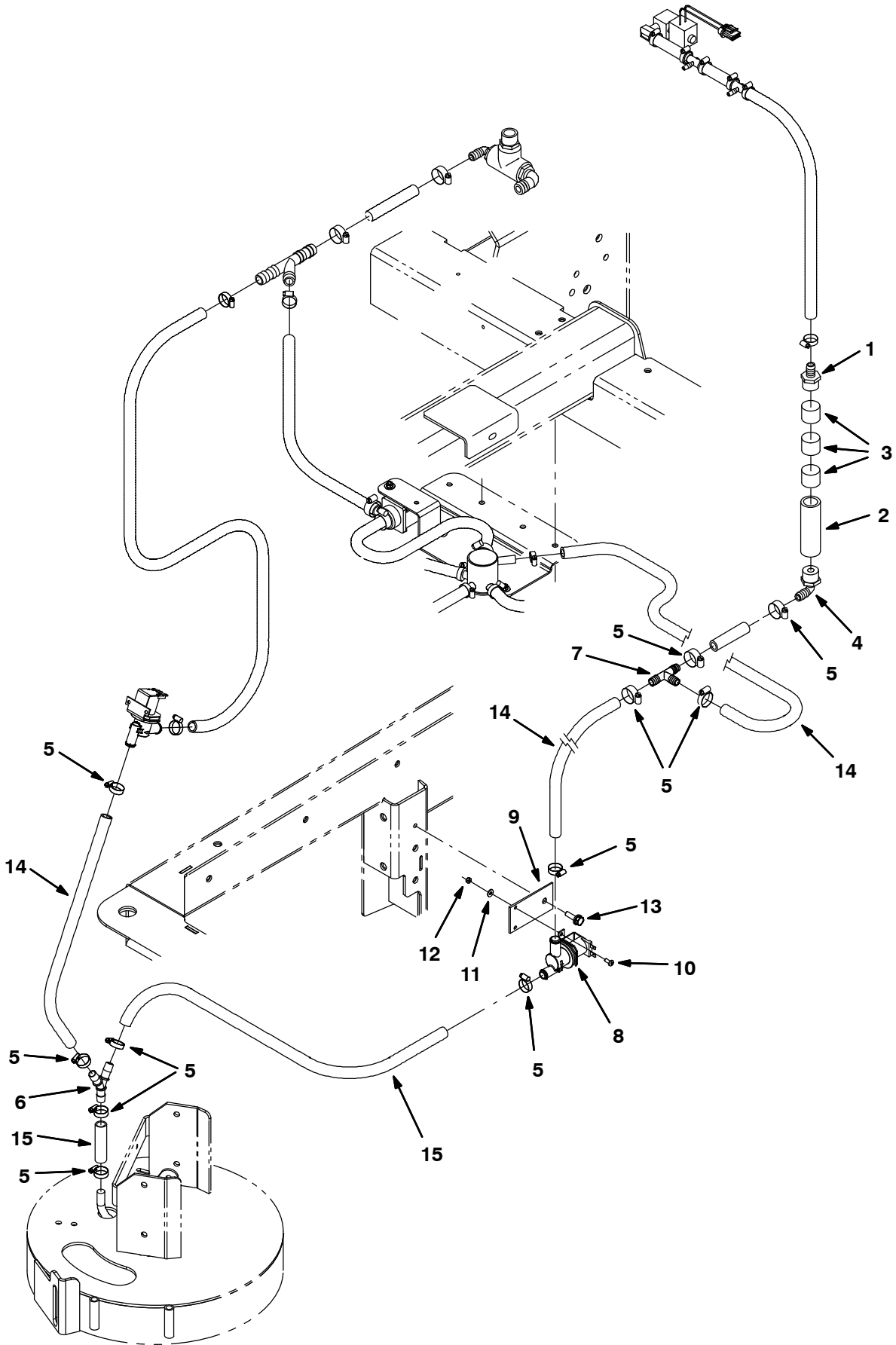


Fig. 14 – FaST Foam Filter Group, Disk Scrub Head with Side Brush (000000–001742)

Ref.	Part No.	Serial Number	Description	Qty.
1	79273-1	(000000–001742)	Fitting, Plstc, Str, Bm08/Pm12	1
2	1005086	(000000–001742)	Tube, Pvc, Clr, 4.0l [Shc80]	1
3	1002789	(000000–001742)	Filter, Foam, Rbr, 1.20d, 1.0l	3
4	1005552	(000000–001742)	Fitting, Plstc, E90, Bm08/Pm12, Nyl	1
5	54333	(000000–001742)	Clamp, Hose, Wormdrive, 0.31–0.88d, .31w	11
6	1010668	(000000–001742)	Fitting, Plstc, Y, Bm08/Bm08/Bm08, Nyl	1
7	63245-1	(000000–001742)	Fitting, Plstc, Tee, Bm08/Bm08/Bm08	1
8	1037825	(000000–001742)	Valve, Solenoid, 12vdc, Water Flow	1
9	1030511	(000000–001742)	Plate, Mtg, Valve	11
10	09200	(000000–001742)	Screw, Pan, M5 X 0.8 X 12, Ss	2
11	01683	(000000–001742)	Washer, Flat, #10, Ss	2
12	09739	(000000–001742)	Nut, Hex, Lock, M5 X 0.8, NI, Ss	2
13	76099	(000000–001742)	Screw, Hex, M8 X 1.25 X 25, Fmg	1
14	1011412	(000000–001742)	Hose, Afmkt, Pvc, Brd 0.50id 08ft	1
15	1015067	(000000–001742)	Hose, Afmkt, Pvc, Clr 0.50id 08ft	1

Fig. 15 – FaST Wire Harness Group (000000–001742)

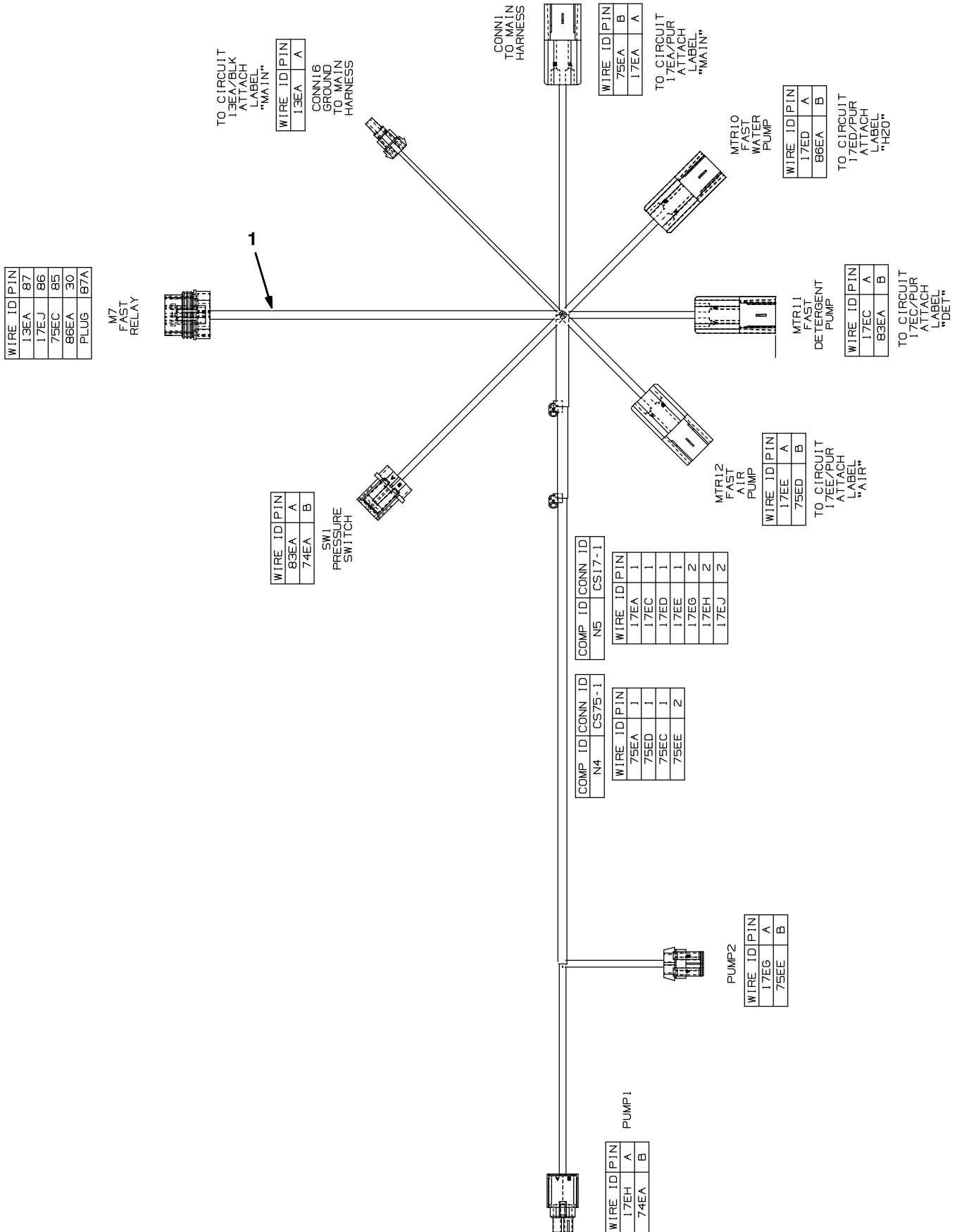


Fig. 15- FaST Wire Harness Group (000000-001742)

Ref.	Part No.	Serial Number	Description	Qty.
1	1019646	(000000-001742)	Harness [FaST, M20 And T20]	1

Fig. 16 – FaST Pumps and Detergent Group (001743–)

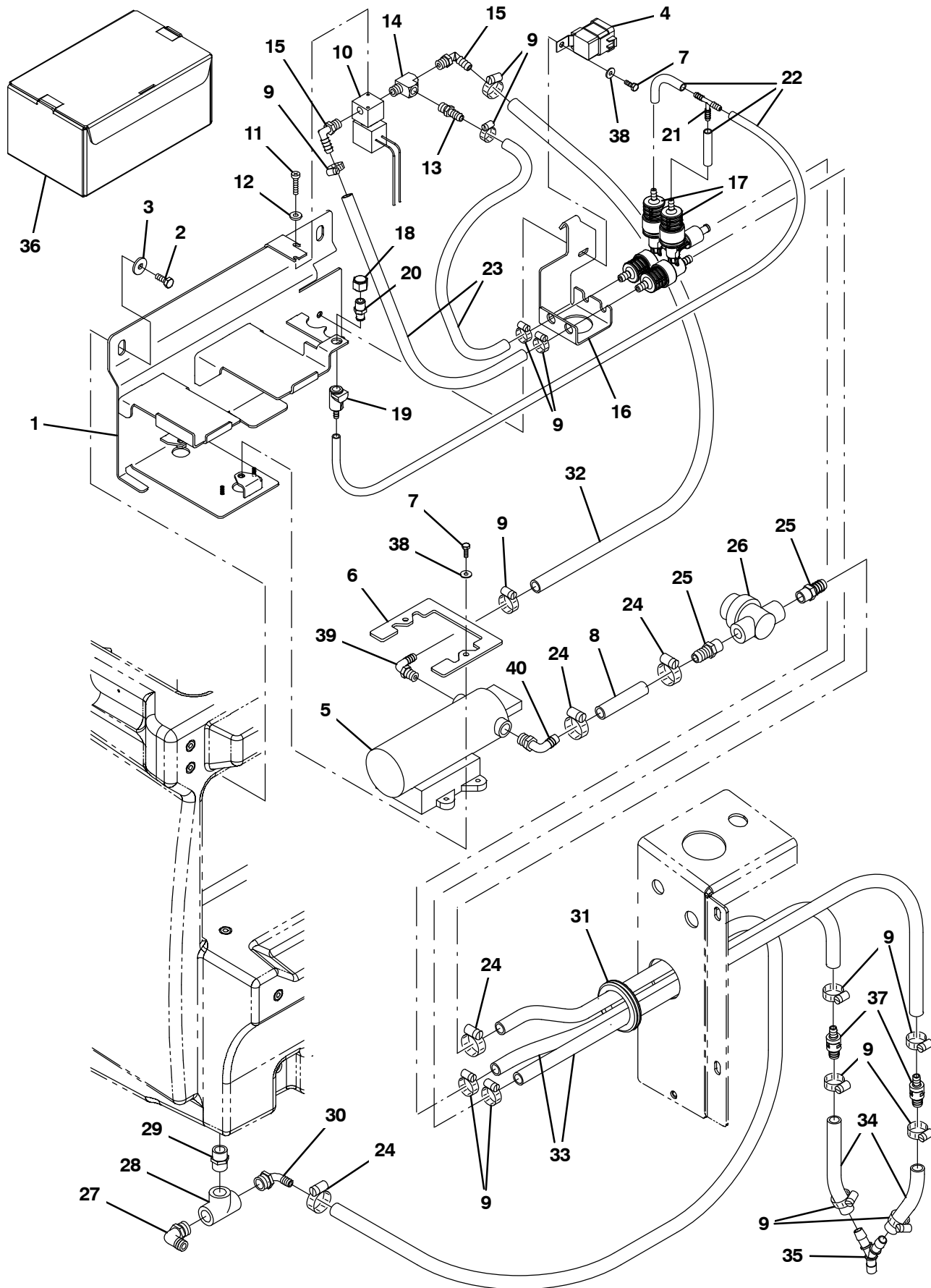


Fig. 16 – FaST Pumps and Detergent Group (001743–)

Ref.	Part No.	Serial Number	Description	Qty.
1	1044342	(001743–)	Bracket Wldt, Mtg [FaST Gen 2+]	1
2	09740	(001743–)	Screw, Hex, M8 X 1.25 X 20, Ss	2
3	1017218	(001743–)	Washer, Flat, 0.32b 1.00d .12, Ss	2
4	56186	(001743–)	Relay, 12vdc, 040a, Spdt No	1
5	1036801	(001743–)	Pump, Soltn, 13.7vdc, 65psi [FaST li+]	1
6	1039357	(001743–)	Bracket, Retainer, Pump	1
7	15678	(001743–)	Screw, Hex, M6 X 1.00 X 16, Ss	3
8	1015047	(001743–)	Hose, Afmkt, Pvc, Brd, 0.75id, 02ft, Clr	1
9	43844	(001743–)	Clamp, Hose, Wormdrive, 0.25–0.62d, .31w	14
10	1018098	(001743–)	Valve, Water, Solenoid, 12vdc 6.0mm Pf04	1
11	09200	(001743–)	Screw, Pan, Phl, M5 X 0.80 X 12, Ss	2
12	01683	(001743–)	Washer, Flat, 10, Ss	2
13	150540	(001743–)	Fitting, Plstc, Str, Bm06/Pm04	1
14	150709	(001743–)	Fitting, Brs, Tee, Pf04/Pf04/Pm04, Run	1
15	57248	(001743–)	Fitting, Plstc, E90, Bm06/Pm04, Nyl	2
16	1044343	(001743–)	Bracket, Mtg [FaST Gen 2+]	1
17	9008868	(001743–)	FaST Kit, Injector [M20/T20/M30 FaST III] (See Breakdowns)	2
18	1005435	(001743–)	Fitting, Plstc, Pipe, Cap, Pf04	1
19	1002898	(001743–)	Fitting, Plstc, Str, Bm04, Cplg, Fem	1
20	1002899	(001743–)	Fitting, Plstc, Str, Pm04, Cplg, Mal	2
21	150713	(001743–)	Fitting, Plstc, Tee, Bm04/Bm04/Bm04	1
22	1014986	(001743–)	Hose, Afmkt, Pvc, Clr, 0.25id, 02ft	1
23	1006416	(001743–)	Hose, Afmkt, Pvc, Clr, 0.38id, 03ft	1
24	54333	(001743–)	Clamp, Hose, Wormdrive, 0.31–0.88d, .31w	8
25	150538	(001743–)	Fitting, Plstc, Str, Bm06/Pm06	2
26	1005302	(001743–)	Filter, In-Line, Pf06/Pf06 080mesh 02.6l	1
27	14877	(001743–006330)	Fitting, Plstc, E90, Bm12/Pm12	1
27	73468	(006631–)	Fitting, Plstc, E90, Bm10/Pm12	1
28	42133A	(001743–)	Fitting, Plstc, Tee, Pf12/Pf12/Pf12	1
29	24544	(001743–)	Fitting, Plstc, Str, Pm12/Pm12 1.60l	1
30	1005552	(001743–)	Fitting, Plstc, E90, Bm08/Pm12, Nyl	1
31	10632–19	(001743–)	Grommet, Rbr, 2.13id, F/2.5h, .12 Matl	1
32	1006400	(001743–)	Hose, Afmkt, Pvc, Brd, 0.38id, 03ft, Clr	1
33	1024237	(001743–)	Hose, Afmkt, Pvc, Wir, 0.50id, 03ft, Clr	1
34	1014929	(001743–)	Hose, Afmkt, Pvc, Clr, 0.38id, 01ft	1
35	1010668	(001743–)	Fitting, Plstc, Y, Bm08/Bm08/Bm08, Nyl	1
36	1017022	(001743–)	Detergent Pkg, 2 Liter, Sgl [665]	1
37	1035794	(001743–)	Valve, Check, 0005psi Bm06/Bm08	2
38	01684	(001743–)	Washer, Flat, 0.27B 0.69D .05, Ss	3
39	1049254	(001743–)	Fitting, Nyl, Qdc, E90, Bm08/ Qm10	1
40	1049259	(001743–)	Fitting, NylY, Qdc, E90, Bm06/ Qm10	1

Fig. 17 – FaST Solution Supply Group, Cylindrical Scrub Head (001743-)

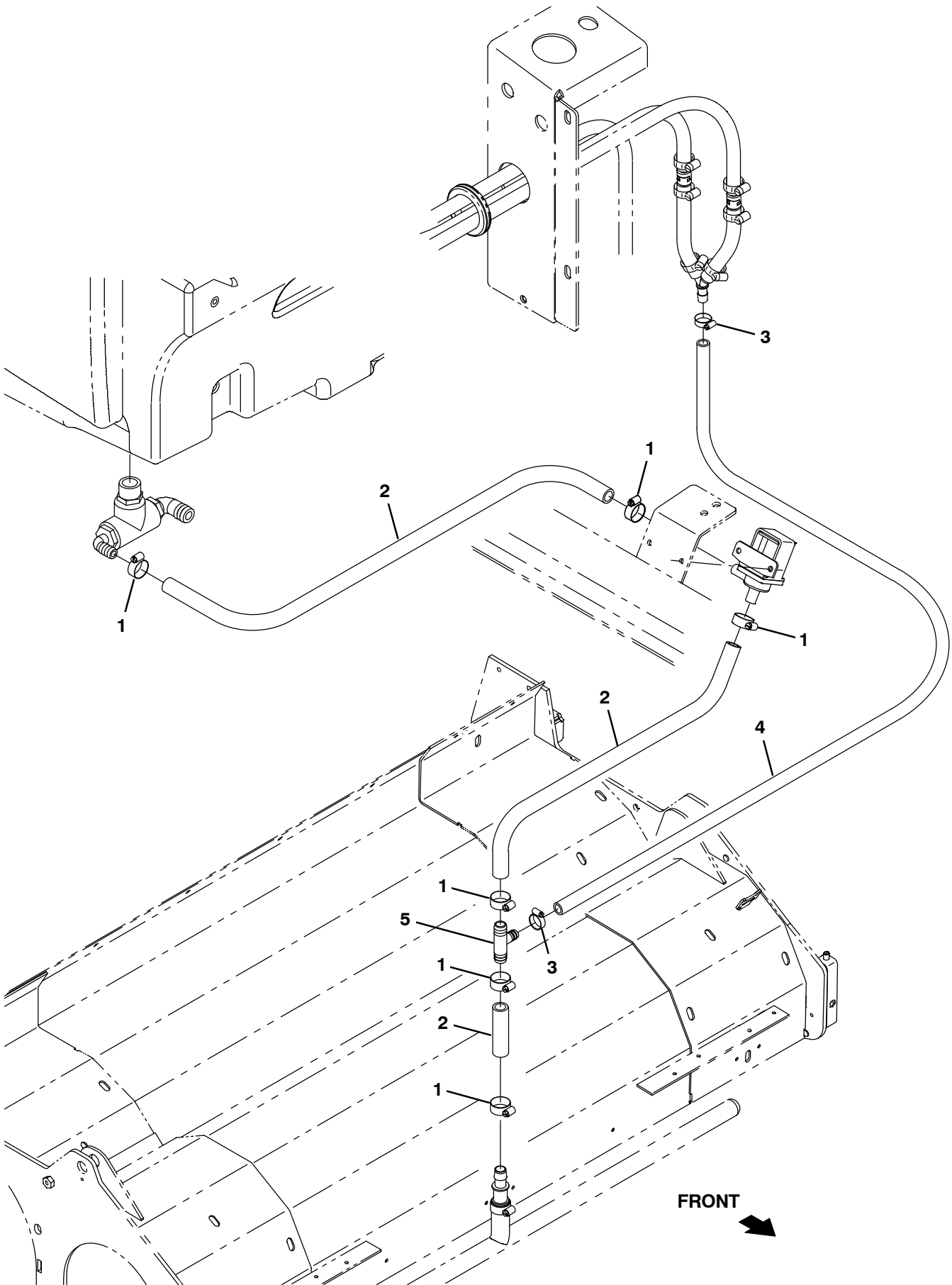


Fig. 17 – FaST Solution Supply Group, Cylindrical Scrub Head (001743–)

Ref.	Part No.	Serial Number	Description	Qty.
1	63810	(001743–)	Clamp, Hose, Wormdrive, 0.56–1.06d, .56w	6
2	1015045	(001743–006330)	Hose, Afmkt, Pvc, Brd, 0.75id, 08ft, Clr	1
2	1015032	(006331–)	Hose, Afmkt, Pvc, Brd, 0.62id, 08ft, Clr	1
3	54333	(001743–)	Clamp, Hose, Wormdrive, 0.31–0.88d, .31w	2
4	1011412	(001743–)	Hose, Afmkt, Pvc, Brd, 0.50id, 08ft, Clr	1
5	385644	(001743–006330)	Fitting, Plstc, Tee, Bm08/Bm12/Bm12, Br	1
5	1015486	(006331–)	Fitting, Plstc, Tee, Bm08/Bm10/Bm10, Br	1

OPTIONS

Fig. 18 – FaST Solution Supply Group with Side Brush, Cylindrical Scrub Head (001743-)

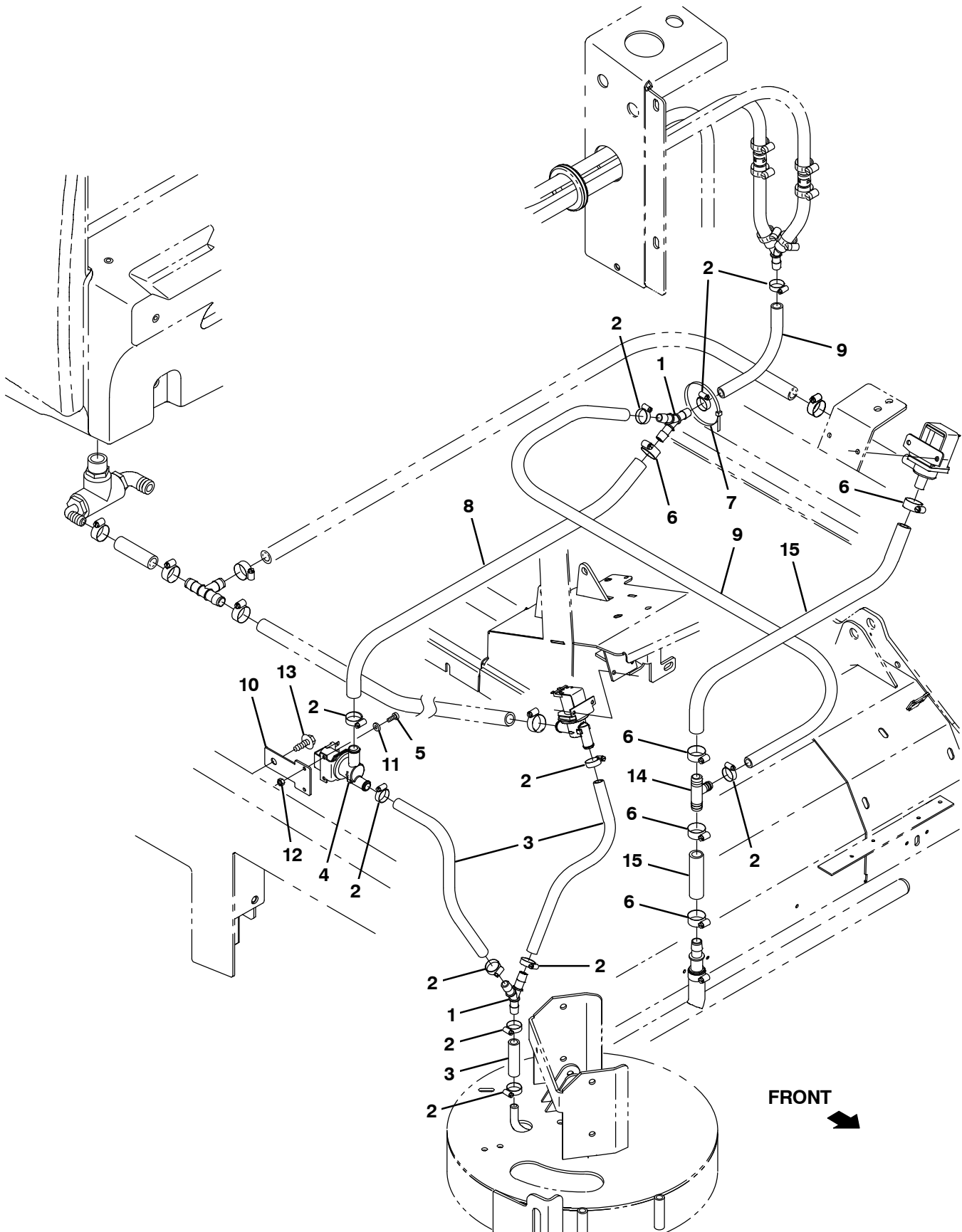


Fig. 18 – FaST Solution Supply Group with Side Brush, Cylindrical Scrub Head (001743–)

Ref.	Part No.	Serial Number	Description	Qty.
1	1010668	(001743–)	Fitting, Plstc, Y, Bm08/Bm08/Bm08, Nyl	2
2	54333	(001743–)	Clamp, Hose, Wormdrive, 0.31–0.88d, .31w	11
3	1015067	(001743–)	Hose, Afmkt, Pvc, Clr, 0.50id, 08ft	1
4	1037825	(001743–)	Valve, Solenoid, 12vdc, Water Flow	1
5	09200	(001743–)	Screw, Pan, Phl, M5 X 0.80 X 12, Ss	2
6	63810	(001743–)	Clamp, Hose, Wormdrive, 0.56–1.06d, .56w	5
7	763116	(001743–)	Tie, Cable, Nyl, 15.3l . W 4.5 Max D	1
8	31543	(001743–)	Hose, Heater, E90, 0.62id, 24.0 4.0	1
9	1011412	(001743–)	Hose, Afmkt, Pvc, Brd, 0.50id, 08ft, Clr	1
10	1030511	(001743–)	Plate, Mtg, Valve	1
11	01683	(001743–)	Washer, Flat, 10, Ss	2
12	09739	(001743–)	Nut, Hex, Lock, M5 X 0.80, NI, Ss	2
13	76099	(001743–)	Screw, Hex, M8 X 1.25 X 25, Fmg	1
14	385644	(001743–006330)	Fitting, Plstc, Tee, Bm08/Bm12/Bm12, Br	1
14	1015486	(006331–)	Fitting, Plstc, Tee, Bm08/Bm10/Bm10, Br	1
15	1006401	(001743–006330)	Hose, Afmkt, Pvc, Brd, 0.50id, 03ft, Clr	1
15	1015026	(006331–)	Hose, Afmkt, Pvc, Brd, 0.62id, 03ft, Clr	1

Fig. 19 – FaST Solution Supply Group, Disk Scrub Head (001743-)

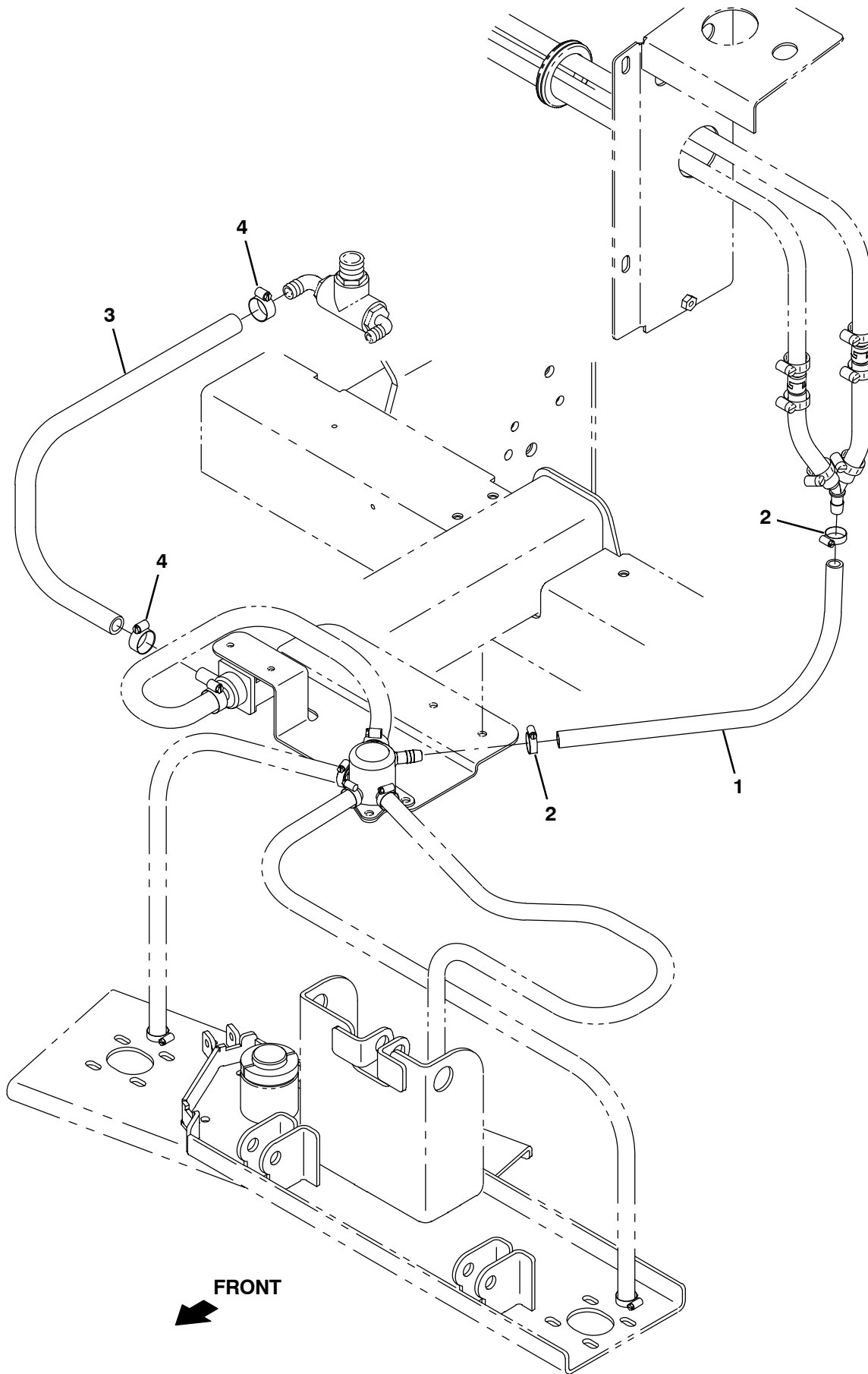


Fig. 19 – FaST Solution Supply Group, Disk Scrub Head (001743–)

Ref.	Part No.	Serial Number	Description	Qty.
1	1011412	(001743–)	Hose, Afmkt, Pvc, Brd, 0.50id, 08ft, Clr	1
2	54333	(001743–)	Clamp, Hose, Wormdrive, 0.31–0.88d, .31w	2
3	1015045	(001743–006330)	Hose, Afmkt, Pvc, Brd, 0.75id, 08ft, Clr	1
3	1015026	(006331–)	Hose, Afmkt, Pvc, Brd, 0.62id, 03ft, Clr	1
4	63810	(001743–)	Clamp, Hose, Wormdrive, 0.56–1.06d, .56w	2

OPTIONS

Fig. 20 – FaST Solution Supply Group with Side Brush, Disk Scrub Head (001743-)

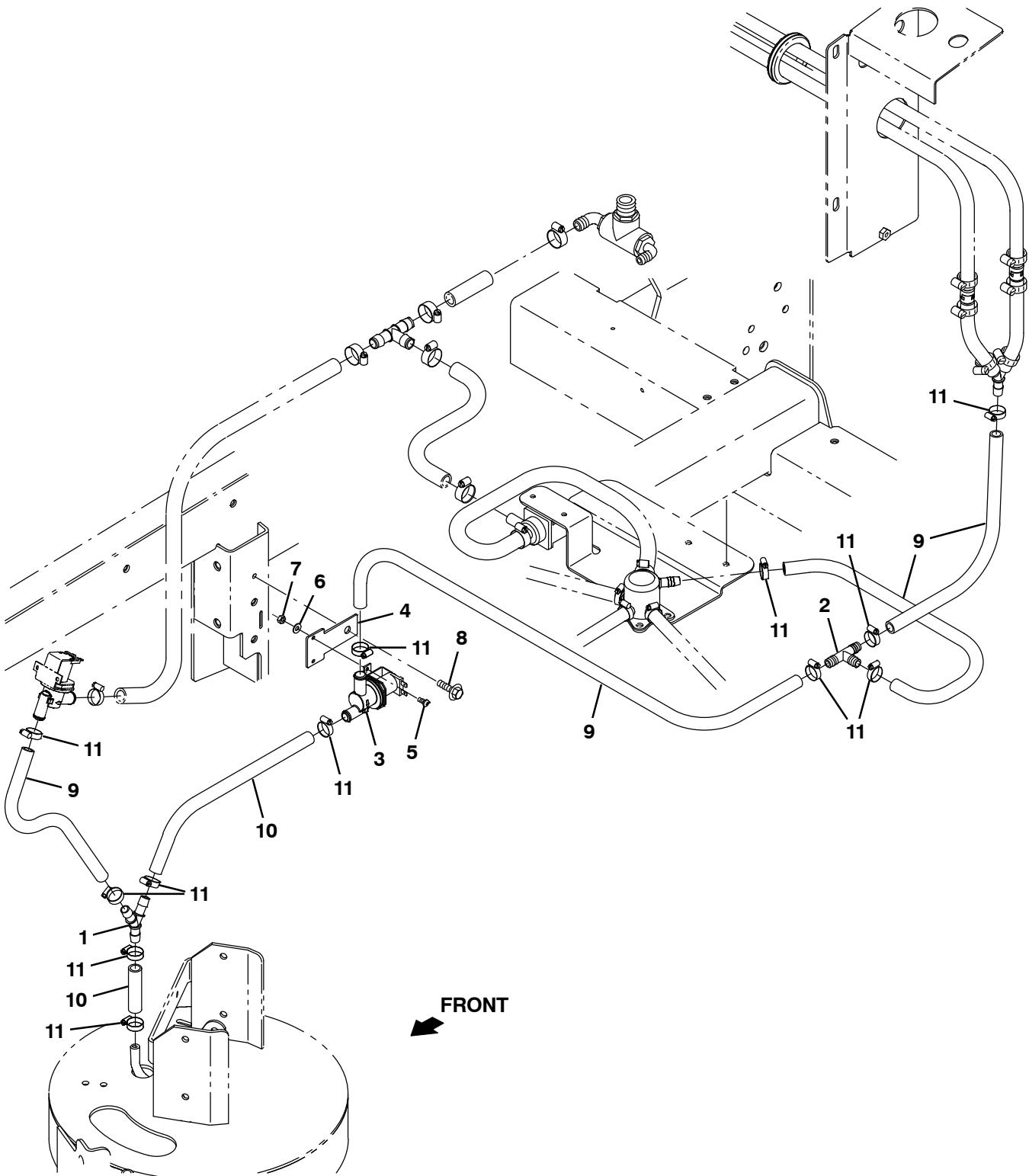


Fig. 20 – FaST Solution Supply Group with Side Brush, Disk Scrub Head (001743–)

Ref.	Part No.	Serial Number	Description	Qty.
1	1010668	(001743–)	Fitting, Plstc, Y, Bm08/Bm08/Bm08, Nyl	1
2	63245-1	(001743–)	Fitting, Plstc, Tee, Bm08/Bm08/Bm08	1
3	1037825	(001743–)	Valve, Solenoid, 12vdc, Water Flow	1
4	1030511	(001743–)	Plate, Mtg, Valve	11
5	09200	(001743–)	Screw, Pan, Phl, M5 X 0.80 X 12, Ss	2
6	01683	(001743–)	Washer, Flat, 10, Ss	2
7	09739	(001743–)	Nut, Hex, Lock, M5 X 0.80, NI, Ss	2
8	76099	(001743–)	Screw, Hex, M8 X 1.25 X 25, Fmg	1
9	1011412	(001743–)	Hose, Afmkt, Pvc, Brd, 0.50id, 08ft, Clr	1
10	1015067	(001743–)	Hose, Afmkt, Pvc, Clr, 0.50id, 08ft	1
11	54333	(001743–)	Clamp, Hose, Wormdrive, 0.31–0.88d, .31w	11

Fig. 21 – FaST Wire Harness Group (001743-)

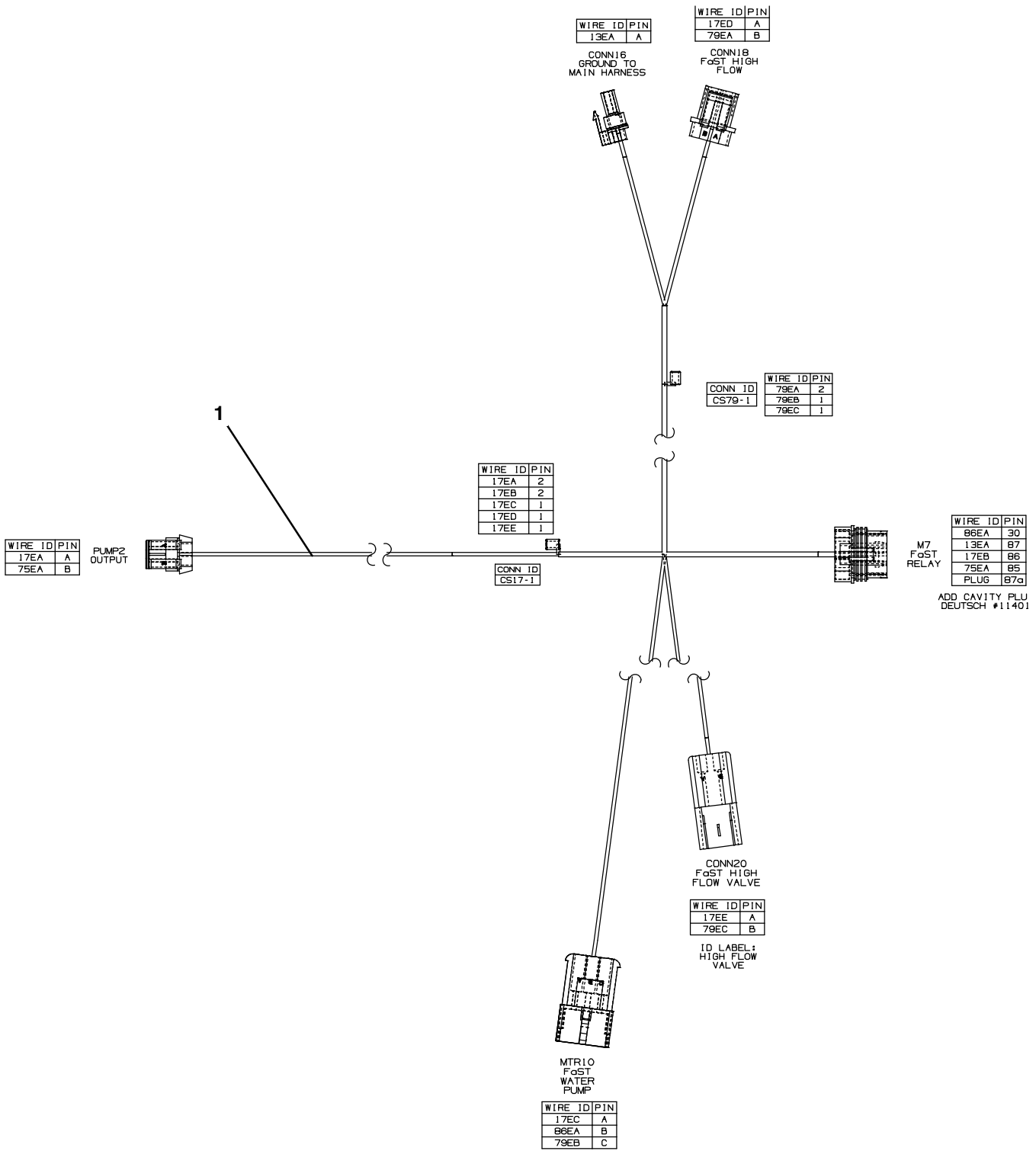


Fig. 21 – FaST Wire Harness Group (001743–)

Ref.	Part No.	Serial Number	Description	Qty.
1	1037809	(001743–)	Harness, Wire [FaST Gen 2]	1

Fig. 22 – ec-H2O Solution Pump Group

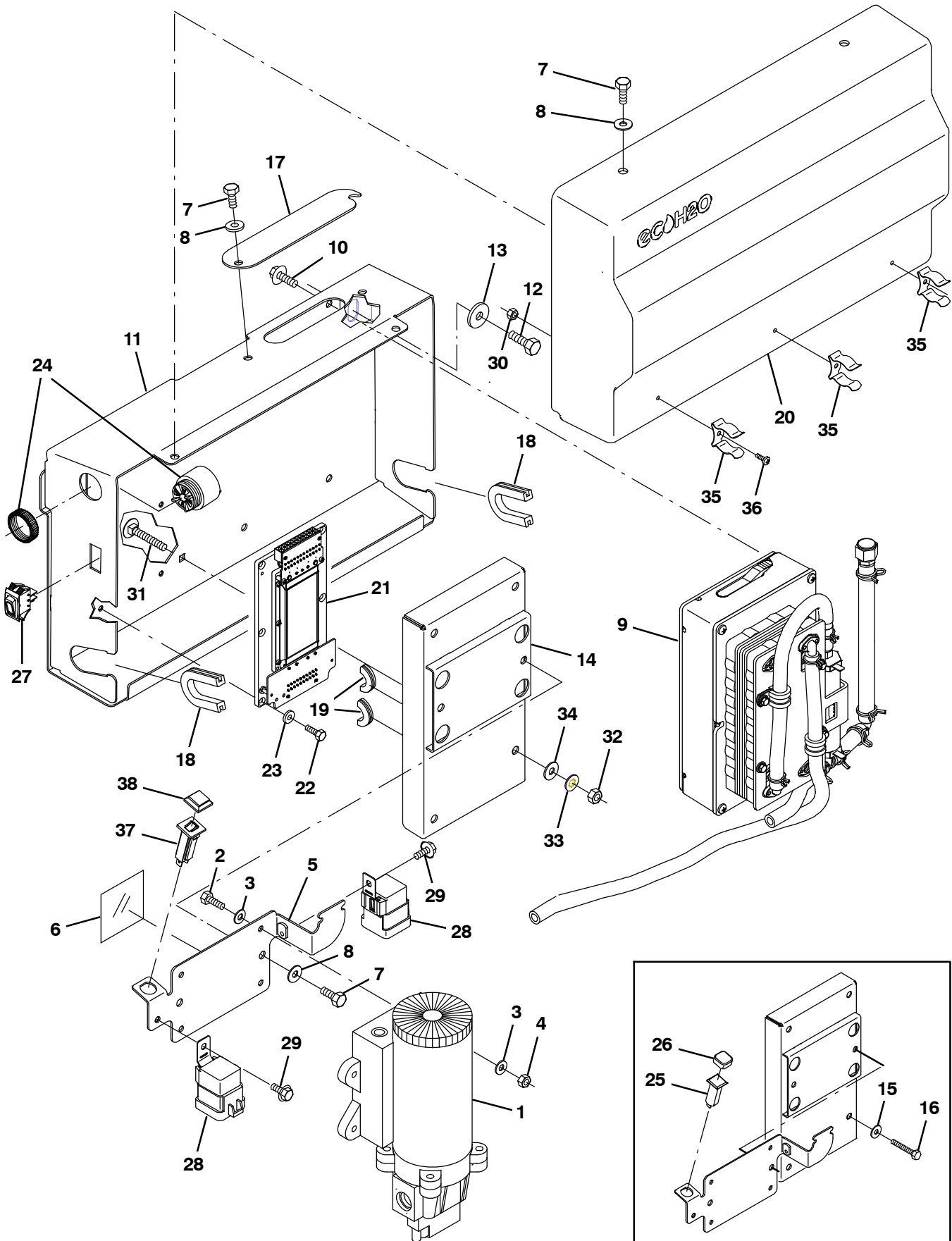


Fig. 22 – ec–H2O Solution Pump Group

Ref.	Part No.	Serial Number	Description	Qty.
1	1060624	(000000–)	Pump, Soltn, Ele, 13.7vdc,12/28psi	1
2	09252	(000000–)	Screw, Hex, M5 X 0.80 X 20, 8.8	4
3	19066	(000000–)	Washer, Flat, 10	8
4	06549	(000000–)	Nut, Hex, Lock, M5 X 0.80, NI	4
5	1060273	(000000–)	Plate, Mtg, Pump	1
6	1059677	(000000–)	Strip, Rbr, 0.06 03.54w 03.5l [Neo/60]	1
7	09744	(000000–)	Screw, Hex, M6 X 1.00 X 12, Ss	6
8	01684	(000000–)	Washer, Flat, 0.27b 0.69d .05, Ss	6
9	9007882	(000000–)	Module Kit, Replmt [Ec–H2O] (See Breakdowns)	1
10	1040467	(000000–)	Screw, Hex, M6 X 1.00 X 20, 9.8, Sems	4
11	1060292	(000000–)	Plate Wldt, Mtg	1
12	09740	(000000–)	Screw, Hex, M8 X 1.25 X 20, Ss	2
13	1017218	(000000–)	Washer, Flat, 0.32b 1.00d .12, Ss	2
14	1060185	(000000–)	Cover Wldt, Power Supply	1
15	01684	(000000–xxxxxx)	Washer, Flat, 0.27b 0.69d .05, Ss	4
16	07805	(000000–xxxxxx)	Screw, Hex, M6 X 1.00 X 35, Ss	4
17	1060291	(000000–)	Plate, Inspection	1
18	1020168	(000000–)	Molding, Afmkt, Trim, Pvc, .08 .11, 01Ft	1
19	10632–4	(000000–)	Grommet, Rbr, 0.62id, F/0.9h, .06 Matl	1
20	1060719	(000000–)	Cover, Trimmed	1
21	1058963	(000000–)	Converter, Ele, 12–36 Vdc	1
22	09206	(000000–)	Screw, Hex, M4 X 0.70 X 12, 8.8	4
23	19065	(000000–)	Washer, Flat, 08	4
24	1052726	(000000–)	Alarm, 9–48vdc, 95 Db(A) [Ec–H2O]	1
25	1053078	(000000–002649)	Circuitbreaker, 2.0a, Resetable	1
26	1046173	(000000–002649)	Boot, Circuitbreaker	1
27	1044393	(000000–)	Switch, Rocker, Spst, Mom	1
28	56186	(000000–)	Relay, 12vdc, 040a, Spdt No	2
29	223198	(000000–)	Screw, Hex, M5 X 0.80 X 10, Fmg	2
30	33932	(000000–)	Nut, Hex, Lock, M4 X 0.70, NI, Ss	3
31	1062804	(xxxxxx–)	Bolt, Carriage, M06 X 1.00 X 40, 4.6	4
32	41359	(xxxxxx–)	Nut, Hex, Std, M6 X 1.00, 8	4
33	32982	(xxxxxx–)	Washer, Lock, Int, 0.25	4
34	32483	(xxxxxx–)	Washer, Flat, 0.25, Sae	4
35	1029057	(000000–)	Clip, Grip, Finger, 0.88–1.25d	3
36	12323	(000000–)	Screw, Pan, Phl, M4 X 0.70 X 20, Ss	3
37	1064183	(002650–)	Circuitbreaker, 02.0a, Resetable	1
38	1064191	(002650–)	Boot, Circuitbreaker	1

Fig. 23 – ec-H2O Solution Pump Supply Group

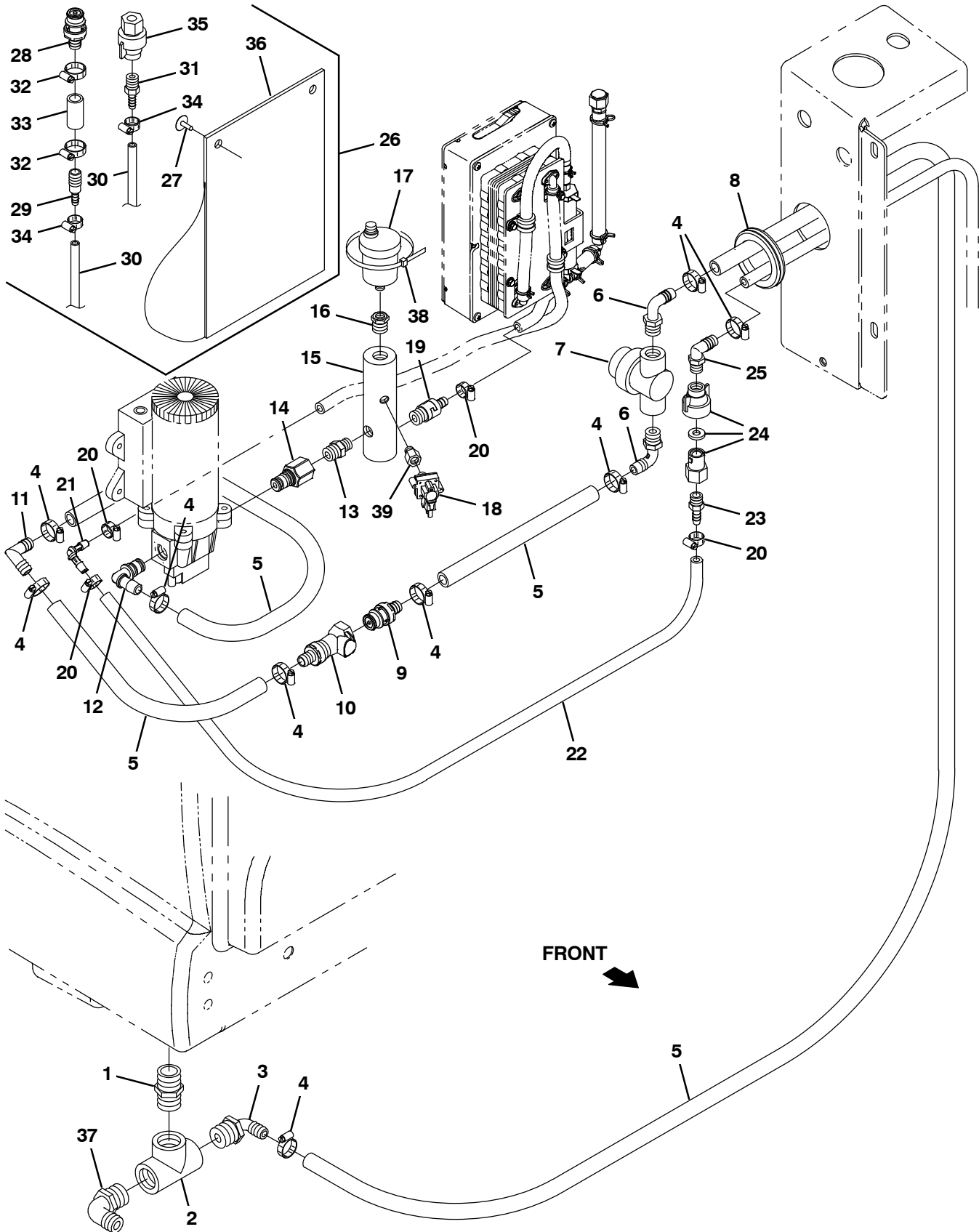


Fig. 23 - ec-H2O Solution Pump Supply Group

Ref.	Part No.	Serial Number	Description	Qty.
1	24544	(000000-) Fitting, Plstc, Str, Pm12/Pm12 1.60l	1
2	42133A	(000000-) Fitting, Plstc, Tee, Pf12/Pf12/Pf12	1
3	1005552	(000000-) Fitting, Plstc, E90, Bm08/Pm12, Nyl	1
4	54333	(000000-) Clamp, Hose, Wormdrive, 0.31-0.88d, .31w	9
5	1011837	(000000-) Hose, Afmkt, Pvc, Brd, 0.50id, 12ft, Clr	1
6	64778	(000000-) Fitting, Plstc, E90, Bm08/Pm06	2
7	1005302	(000000-) Filter, In-Line, Pf06/Pf06 080mesh 02.6l	1
8	10632-19	(000000-) Grommet, Rbr, 2.13id, F/2.5h, .12 Matl	3
9	1017415	(000000-) Insert, Cplg, Qm, Bm08	1
10	1017413	(000000-) Housing, Cplg, Qf / Pm08	1
11	63987-1	(000000-) Fitting, Plstc, E90, Bm08/Bm08	1
12	1049254	(000000-) Fitting, Nyl, Qdc, E90, Bm08/ Qm10	1
13	1059372	(000000-) Fitting, Plstc, Str, Pf06/Qm10, Pvc	1
14	1005219	(000000-) Fitting, Plstc, Str, Pm04/Pm06, Nyl	1
15	1060596	(000000-) Manifold, Water	1
16	24698	(000000-) Fitting, Brs, Str, Pf02/Pm06	1
17	1017386	(000000-) Valve, Vent, Air, Float Type	1
18	1058935	(000000-) Switch, Press, 50 Psi, Pm02	1
19	1060693	(000000-) Valve, Check, 0005psi Pm04/Bm06	1
20	43844	(000000-) Clamp, Hose, Wormdrive, 0.25-0.62d, .31w	4
21	1059391	(000000-) Fitting, Plstc, E90, Bm05/Bm05, Nyl	1
22	1052336	(000000-) Hose, Afmkt, PVC, Brd, 0.31id, 03Ft, Clr	2
23	1052017	(000000-) Fitting, Plstc, Str, Bm05/Pm04	1
24	1071280	(000000-) Fitting Assy, Qdc, Pf04	2
25	65581	(000000-) Fitting, Plstc, E90, Bm08/Pm04	1
▽	26	9014281	(000000-) ec-H2O Kit, Flush, Replmt[M20, M30&T20]	1
▲	27	72968	(000000-) Rivet, Plstc, .250d X 0.90	2
▲	28	1017415	(000000-) Insert, Cplg, Qm, Bm08	1
▲	29	630164	(000000-) Fitting, Plstc, Str, Bm04/Bm08	1
▲	30	1006415	(000000-) Hose, Afmkt, Pvc, Clr, 0.25id, 03ft	2
▲	31	50901	(000000-) Fitting, Plstc, Str, Bm04/Pm04	1
▲	32	54333	(000000-) Clamp, Hose, Wormdrive, 0.31-0.88d, .31w	2
▲	33	1011403	(000000-) Hose, Afmkt, Pvc, Brd, 0.50id, 01ft, Clr	1
▲	34	43844	(000000-) Clamp, Hose, Wormdrive, 0.25-0.62d, .31w	2
▲	35	1071280	(000000-) Fitting Assy, Qdc, Pf04	1
▲	36	48790	(000000-) Pouch	1
	37	14877	(000000-006330) Fitting, Plstc, E90, Bm12/Pm12	1
	37	73468	(006331-) Fitting, Plstc, E90, Bm10/Pm12	1
	38	49266	(000000-) Tie, Cable, Nyl, 07.3l .19w 1.8 Max D	1
	39	1062403	(000000-) Fitting, Brs, Snubber, Pm02/Pf02	1

Fig. 24 - ec-H2O Solution Supply Group, Cylindrical Scrub Head

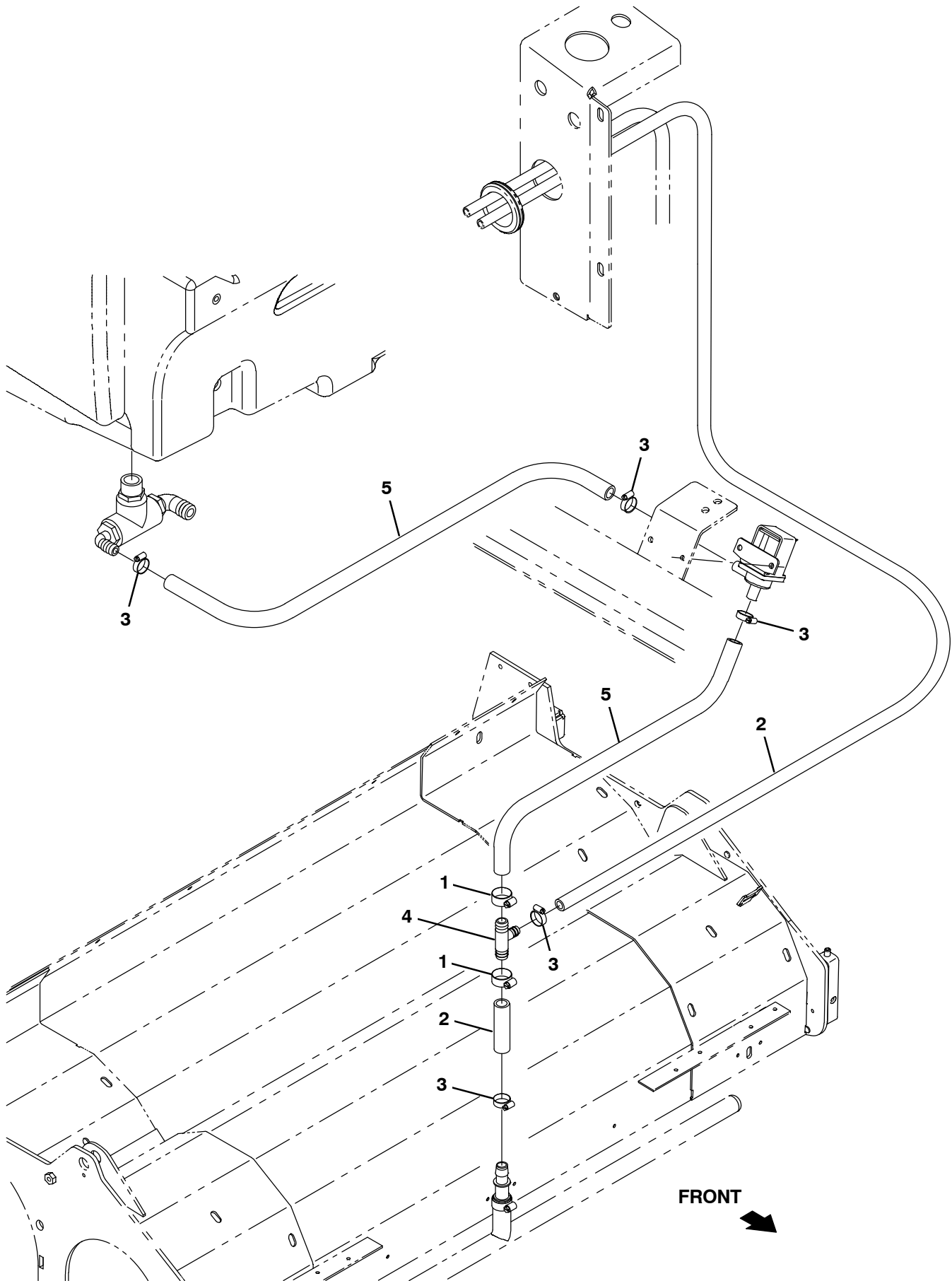


Fig. 24 – ec–H2O Solution Supply Group, Cylindrical Scrub Head

Ref.	Part No.	Serial Number	Description	Qty.
1	63810	(000000–)	Clamp, Hose, Wormdrive, 0.56–1.06d, .56w	2
2	1011837	(000000–)	Hose, Afmkt, Pvc, Brd, 0.50id, 12ft, Clr	1
3	54333	(000000–)	Clamp, Hose, Wormdrive, 0.31–0.88d, .31w	5
4	385644	(000000–006330)	Fitting, Plstc, Tee, Bm08/Bm12/Bm12, Br	1
4	1015486	(006331–)	Fitting, Plstc, Tee, Bm08/Bm10/Bm10, Br	1
5	1015045	(000000–006330)	Hose, Afmkt, Pvc, Brd, 0.75id, 08ft, Clr	1
5	1015032	(006331–)	Hose, Afmkt, Pvc, Brd, 0.62id, 08ft, Clr	1

Fig. 25 – ec-H2O Solution Supply Group, Cylindrical Scrub Head with Side Brush

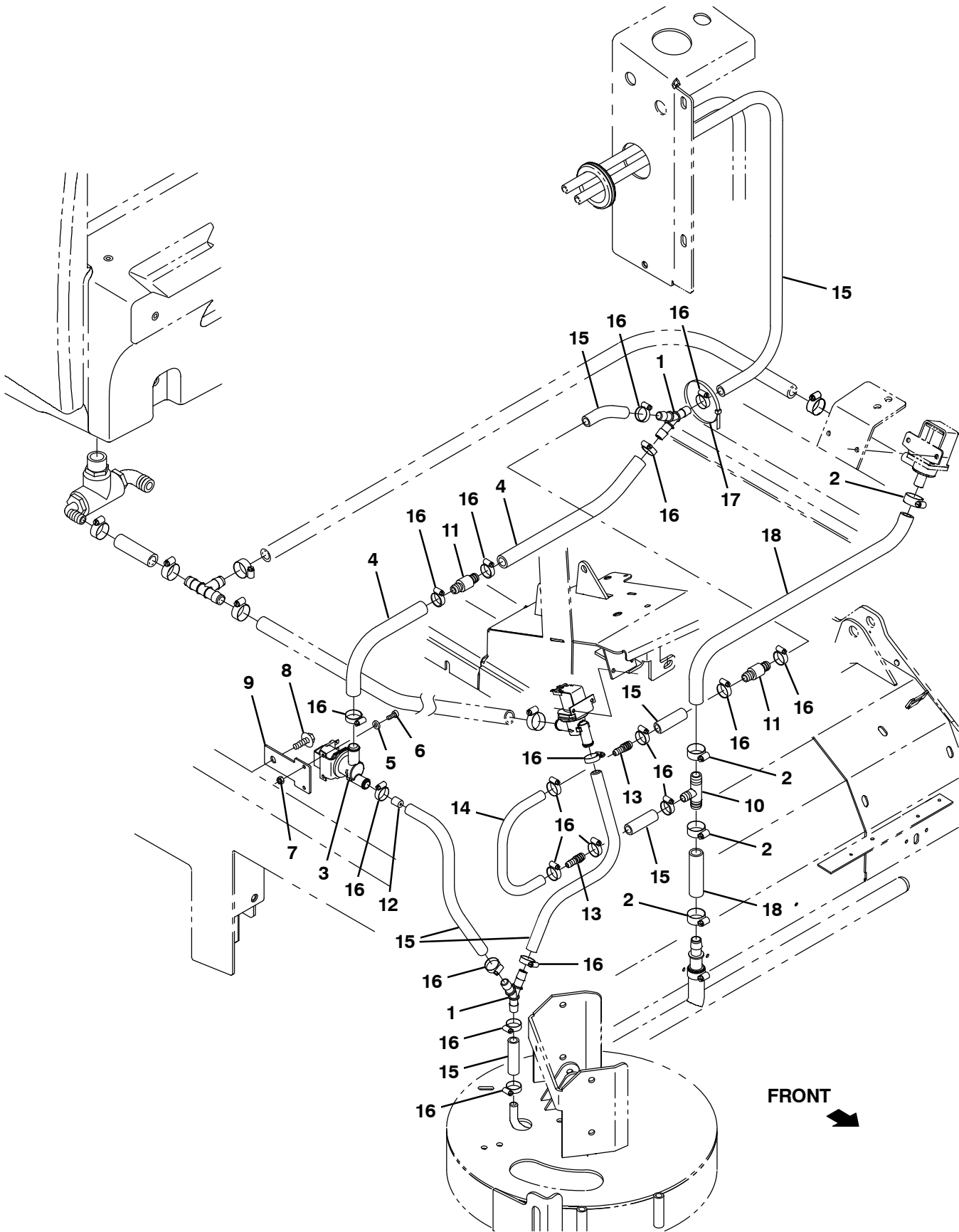


Fig. 25 – ec-H2O Solution Supply Group, Cylindrical Scrub Head with Side Brush

Ref.	Part No.	Serial Number	Description	Qty.
1	1010668	(000000–) Fitting, Plstc, Y, Bm08/Bm08/Bm08, Nyl	1
2	63810	(000000–) Clamp, Hose, Wormdrive, 0.56–1.06d, .56w	4
3	1037825	(000000–) Valve Assy, Water, Solenoid, 12vdc	1
4	31543	(000000–) Hose, Heater, E90, 0.62id, 24.0 4.0	1
5	01683	(000000–) Washer, Flat, 10, Ss	2
6	24196	(000000–) Screw, Pan, Phl, M5 X 0.80 X 20, Ss	2
7	09739	(000000–) Nut, Hex, Lock, M5 X 0.80, NI, Ss	2
8	76099	(000000–) Screw, Hex, M8 X 1.25 X 25, Fmg	1
9	1030511	(000000–) Plate, Mtg, Valve	1
10	385644	(000000–006330) Fitting, Plstc, Tee, Bm08/Bm12/Bm12, Br	1
10	1015486	(006331–) Fitting, Plstc, Tee, Bm08/Bm10/Bm10, Br	1
11	1010614	(000000–) Valve, Check, 2gpm .5psi Bm08/Bm08	2
12	1061045	(000000–) Plug, Restrictor	1
13	222375	(000000–) Fitting, Plstc, Str, Bm06/Bm08	2
14	1014974	(000000–) Hose, Afmkt, Pvc, Brd, 0.38id, 02ft, Clr	1
15	1011412	(000000–) Hose, Afmkt, Pvc, Brd, 0.50id, 08ft, Clr	1
16	54333	(000000–) Clamp, Hose, Wormdrive, 0.31–0.88d, .31w	18
17	763116	(000000–) Tie, Cable, Nyl, 15.3l . W 4.5 Max D	1
18	1015026	(000000–) Hose, Afmkt, Pvc, Brd, 0.62id, 03ft, Clr	1

Fig. 26 – ec-H2O Solution Supply Group, Disk Scrub Head

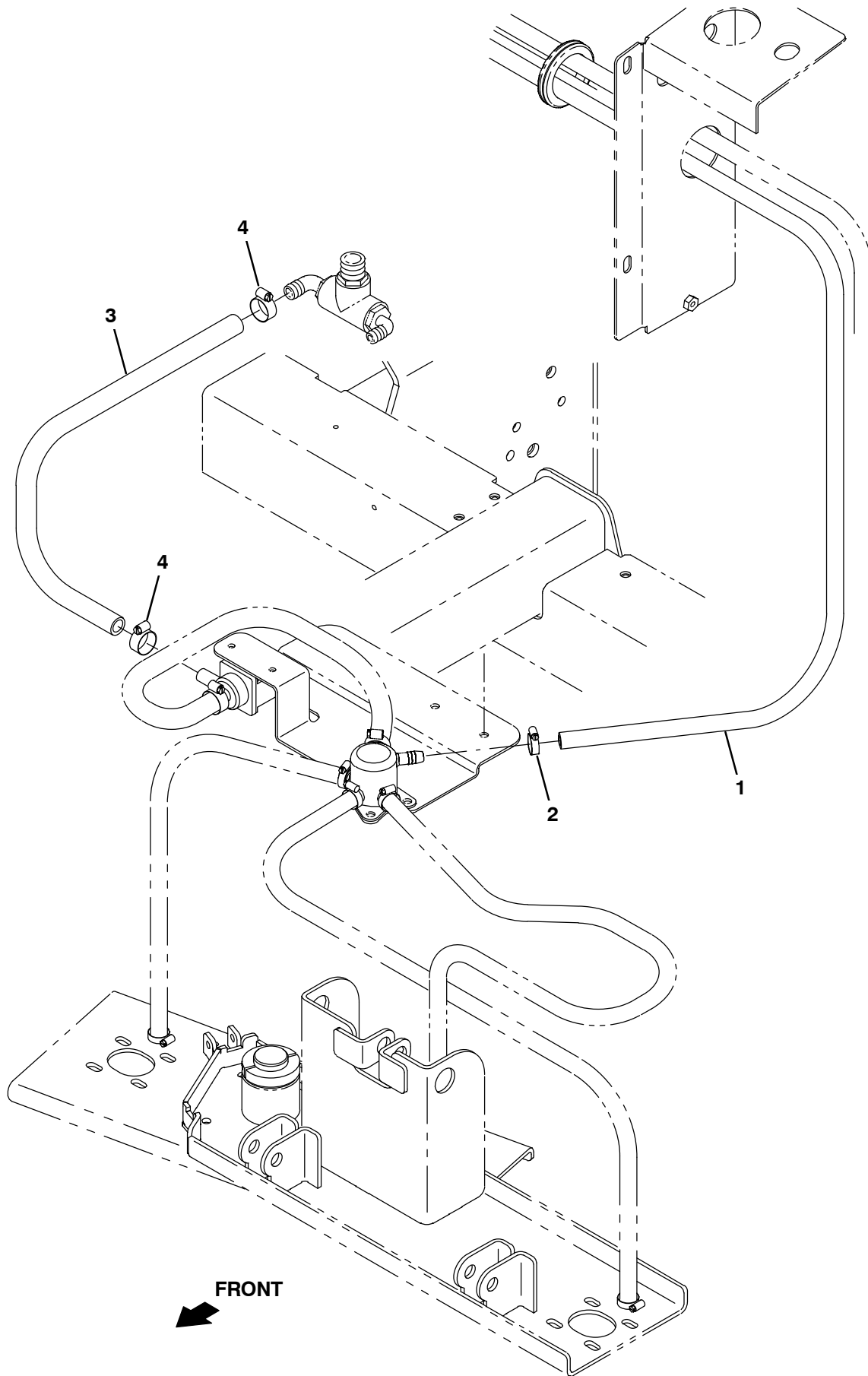


Fig. 26 – ec–H2O Solution Supply Group, Disk Scrub Head

Ref.	Part No.	Serial Number	Description	Qty.
1	1011412	(000000–)	Hose, Afmkt, Pvc, Brd, 0.50ld, 08Ft, Clr	1
2	54333	(000000–)	Clamp, Hose, Wormdrive, 0.31–0.88D, .31W	1
3	1015045	(000000–006330)	Hose, Afmkt, Pvc, Brd, 0.75ld, 08Ft, Clr	1
3	1015026	(006331–)	Hose, Afmkt, Pvc, Brd, 0.62ld, 03Ft, Clr	1
4	63810	(000000–)	Clamp, Hose, Wormdrive, 0.56–1.06D, .56W	2

Fig. 27 – ec-H₂O Solution Supply Group, Disk Scrub Head with Side Brush

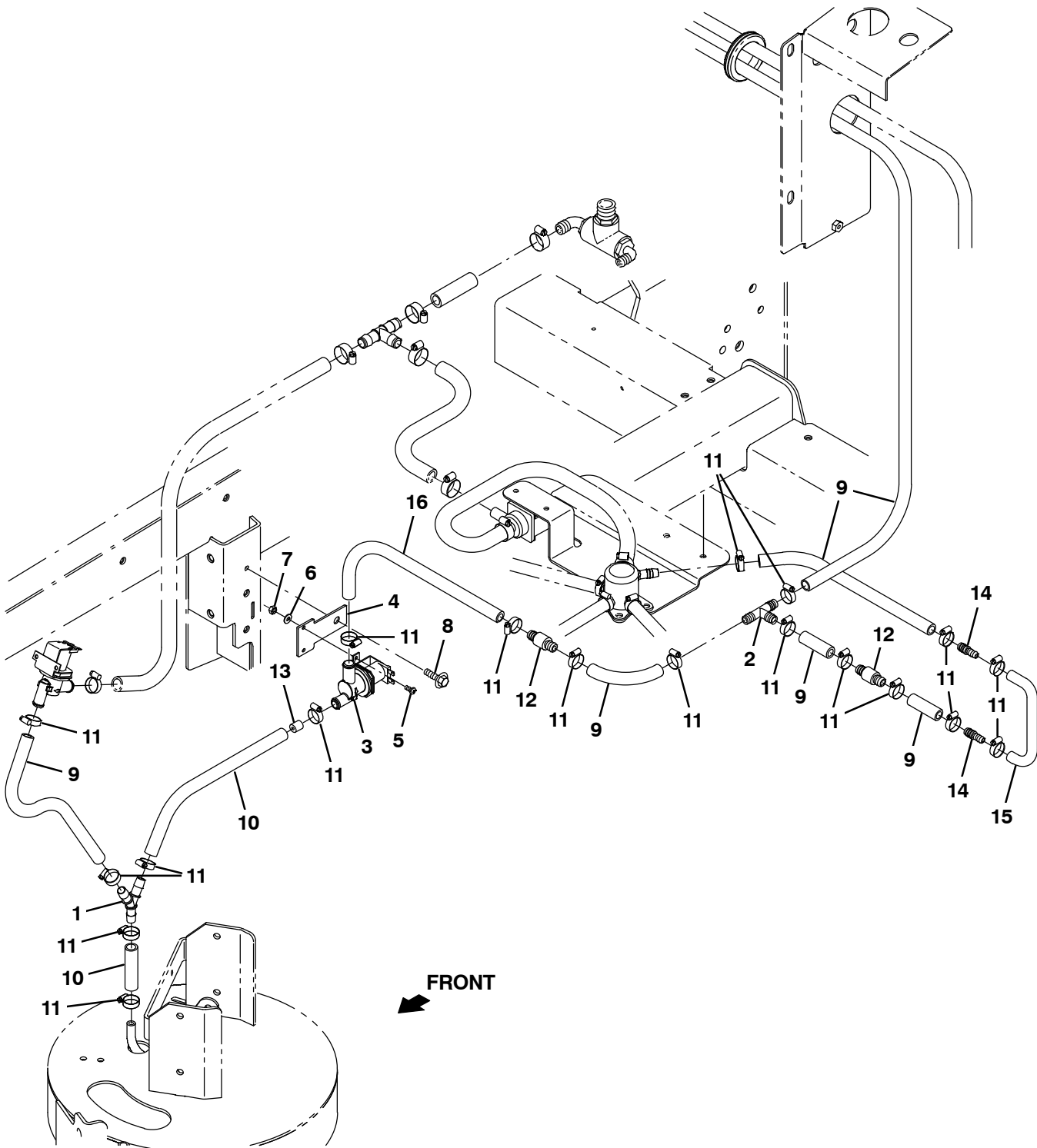


Fig. 27 – ec-H2O Solution Supply Group, Disk Scrub Head with Side Brush

Ref.	Part No.	Serial Number	Description	Qty.
1	1010668	(000000–) Fitting, Plstc, Y, Bm08/Bm08/Bm08, Nyl	1
2	63245-1	(000000–) Fitting, Plstc, Tee, Bm08/Bm08/Bm08	1
3	1037825	(000000–) Valve, Solenoid, 12vdc, Water Flow	1
4	1030511	(000000–) Plate, Mtg, Valve	11
5	09200	(000000–) Screw, Pan, Phl, M5 X 0.80 X 12, Ss	2
6	01683	(000000–) Washer, Flat, 10, Ss	2
7	09739	(000000–) Nut, Hex, Lock, M5 X 0.80, NI, Ss	2
8	76099	(000000–) Screw, Hex, M8 X 1.25 X 25, Fmg	1
9	1011412	(000000–) Hose, Afmkt, Pvc, Brd, 0.50id, 08ft, Clr	1
10	1015067	(000000–) Hose, Afmkt, Pvc, Clr, 0.50id, 08ft	1
11	54333	(000000–) Clamp, Hose, Wormdrive, 0.31–0.88d, .31w	20
12	1010614	(000000–) Valve, Check, 2Gpm .5Psi Bm08/Bm08	2
13	1061045	(000000–) Plug, Rsestricter	1
14	222375	(000000–) Fitting, Plstc, Str, BM06/BM08	2
15	1014974	(000000–) Hose, Afmkt, Pvc, Brd, 0.38ld, 02Ft, Clr	1
16	31543	(000000–) Hose, Heater, E90, 0.62ld, 24.0 4.0	1

Fig. 28 – ec-H20 Wire Harnesses Group

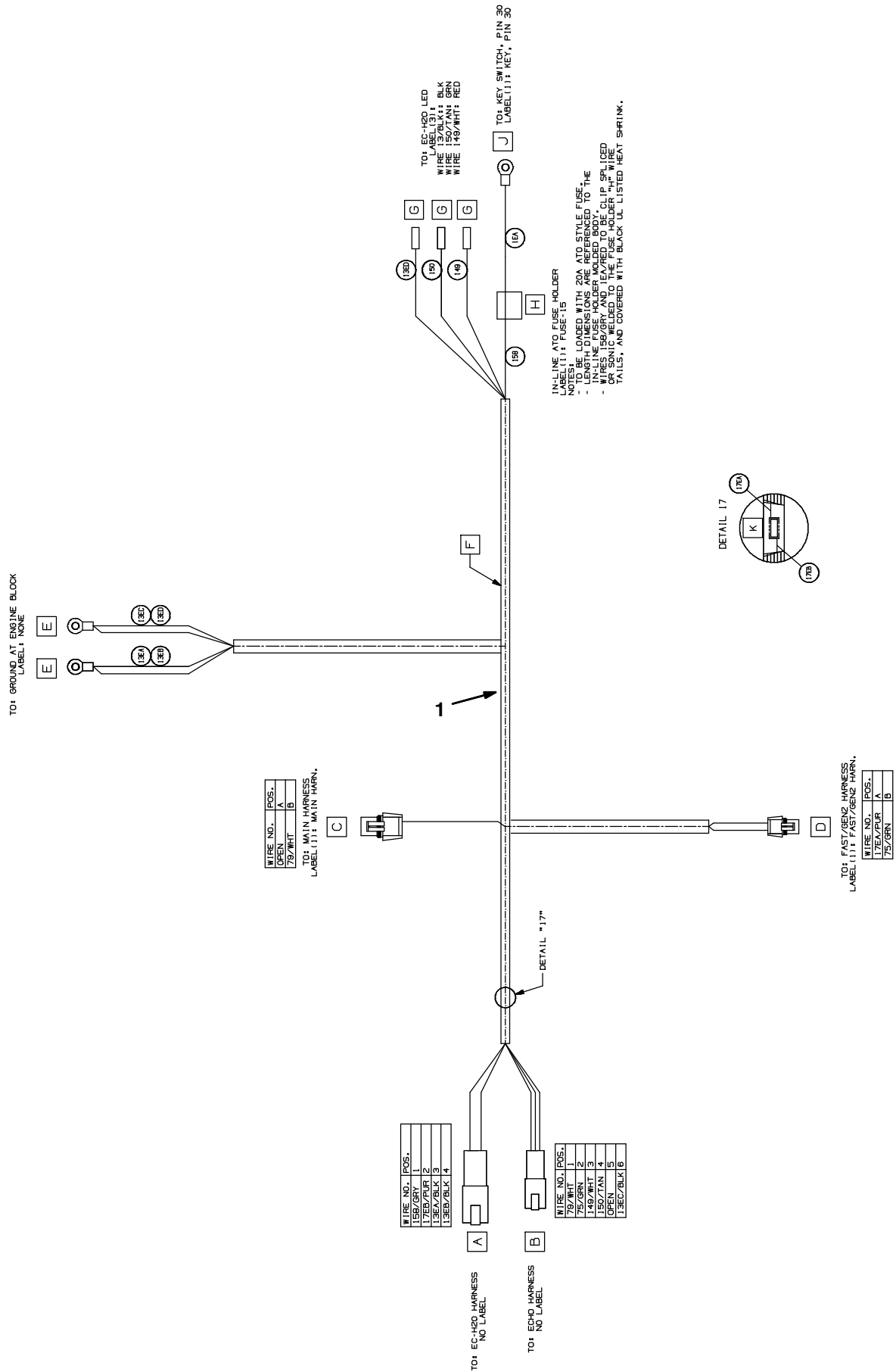
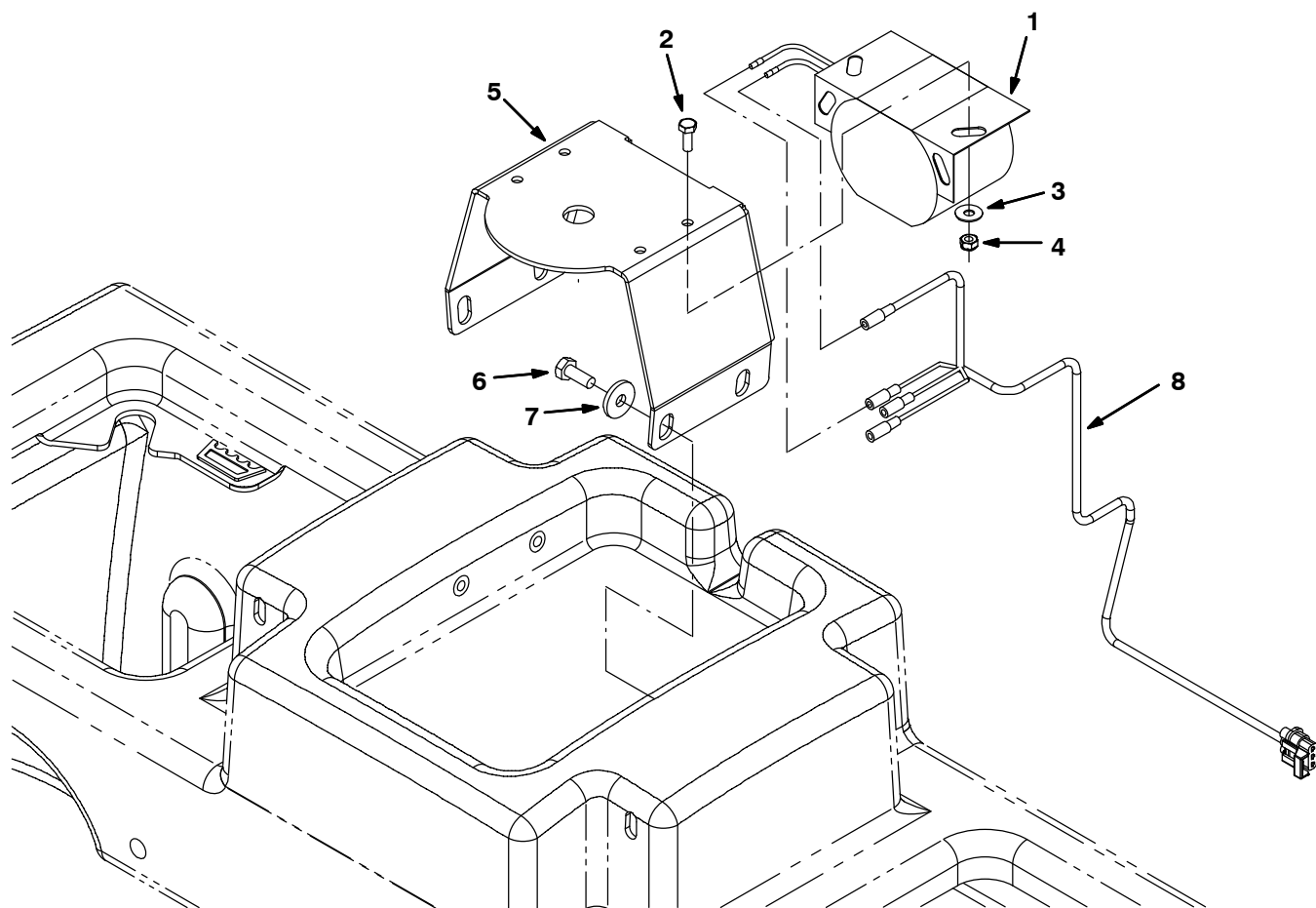


Fig. 28 – ec-H20 Wire Harnesses Group

Ref.	Part No.	Serial Number	Description	Qty.
1	1071947	(000000–) Harness, Wire [Ec-H2o, Mako, 2.0l & Dsl]	1
2	1060871	(000000–) Harness, Wire [Ec-H2o]	1
3	1060880	(000000–) Resistor, Ele, Plug [430 , 2w]	1
4	1060881	(000000–) Capacitor, Plug [4700uf, 25v]	1

Fig. 29 – Backup Alarm Kit



354473

Ref.	Part No.	Serial Number	Description	Qty.
▽	9001321	(000000–) Alarm Kit, Backup, Ci [M20 And T20]	1
▲	1 9007131	(000000–) Alarm Assy, Backup, 12/48Vdc	1
▲	2 24196	(000000–) Screw, Pan, Phl, M5 X 0.80 X 20, Ss	2
▲	3 19066	(000000–) Washer, Flat, 10	2
▲	4 09739	(000000–) Nut, Hex, Lock, M5 X 0.80, NI, Ss	2
▲	5 1019445	(000000–) Bracket, Sppt, Strobe Light	1
▲	6 09740	(000000–) Screw, Hex, M8 X 1.25 X 20, Ss	4
▲	7 1017218	(000000–) Washer, Flat, 0.32b 1.00d .12, Ss	4
▲	8 1019971	(000000–) Harness, Warning / Backup [M20 & T20]	1

Fig. 30 - Light Kit, Flashing

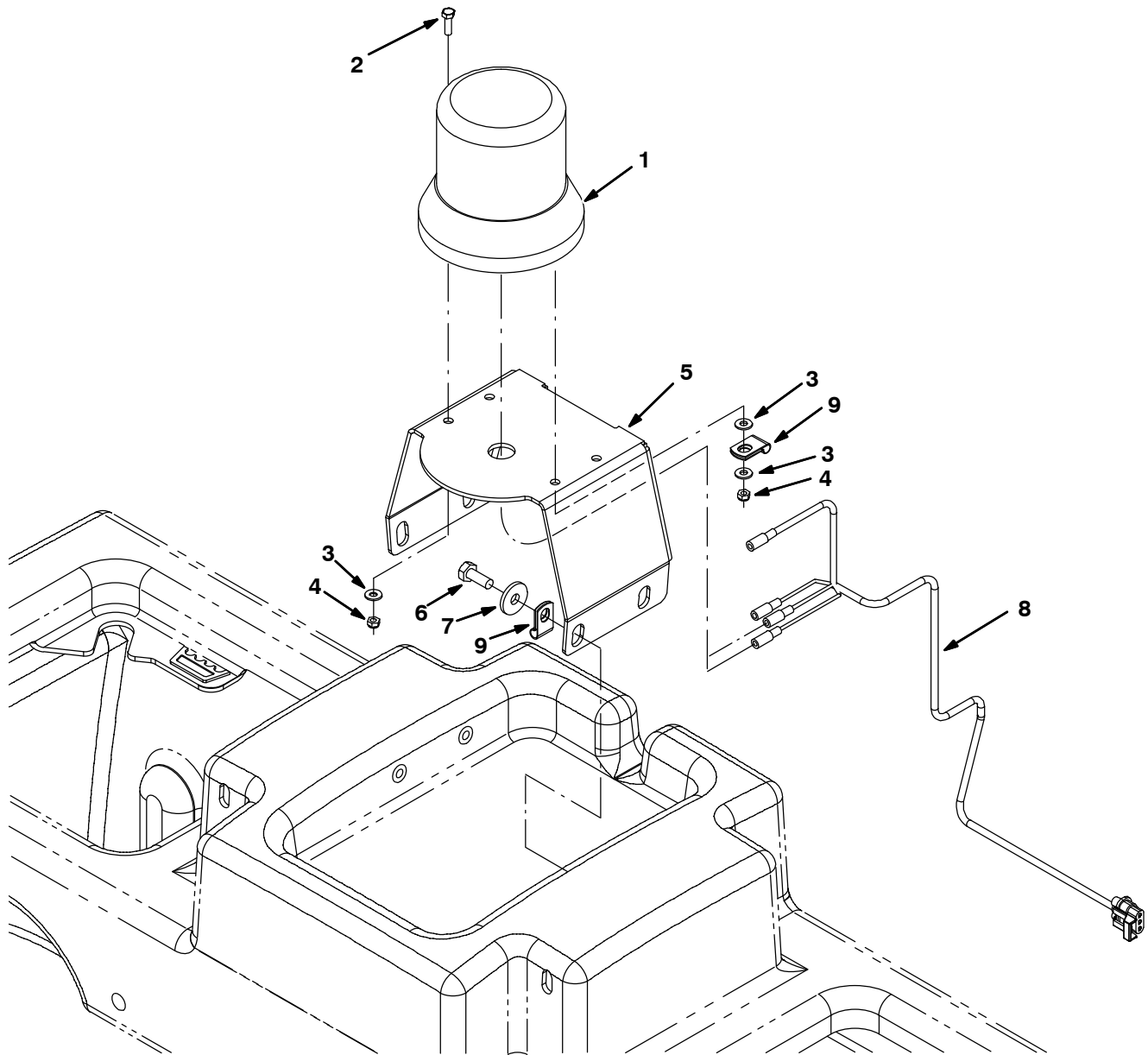


Fig. 30 – Light Kit, Flashing

	Ref.	Part No.	Serial Number	Description	Qty.
▽		9001327	(000000–) Light Kit, Flsh, Ci [M20 And T20]	1
▲▽	1	1017248	(000000–) Lamp, Flasher, Amb [12–48 Vdc]	1
▲▲		9000879	(000000–) Lens, Lamp, Amb, Strobe/Flasher	1
▲▲		9000846	(000000–) Lamp, Bulb, Flsh	1
▲▲		1027800	(000000–) Lens, Blue, Option, F/ Revl / Flsh Light	1
▲▲		1027798	(000000–) Lens, Red, Option, F/ Revl / Flsh Light	1
▲		55272	(000000–) Terminal, Bullet, Mal, .157d, 12ga	2
▲	2	24196	(000000–) Screw, Pan, Phl, M5 X 0.80 X 20, Ss	2
▲	3	19066	(000000–) Washer, Flat, 10	2
▲	4	09739	(000000–) Nut, Hex, Lock, M5 X 0.80, NI, Ss	2
▲	5	1019445	(000000–) Bracket, Sppt, Revl Light	1
▲	6	09740	(000000–) Screw, Hex, M8 X 1.25 X 20, Ss	4
▲	7	1017218	(000000–) Washer, Flat, 0.32b 1.00d .12, Ss	4
▲	8	1019971	(000000–) Harness, Warning / Backup [M20 & T20]	1
▲	9	46236	(000000–) Clamp, Cable, Stl, 0.25D X 0.56W, 1Hole	2

Fig. 31 - Light Kit, Revolving

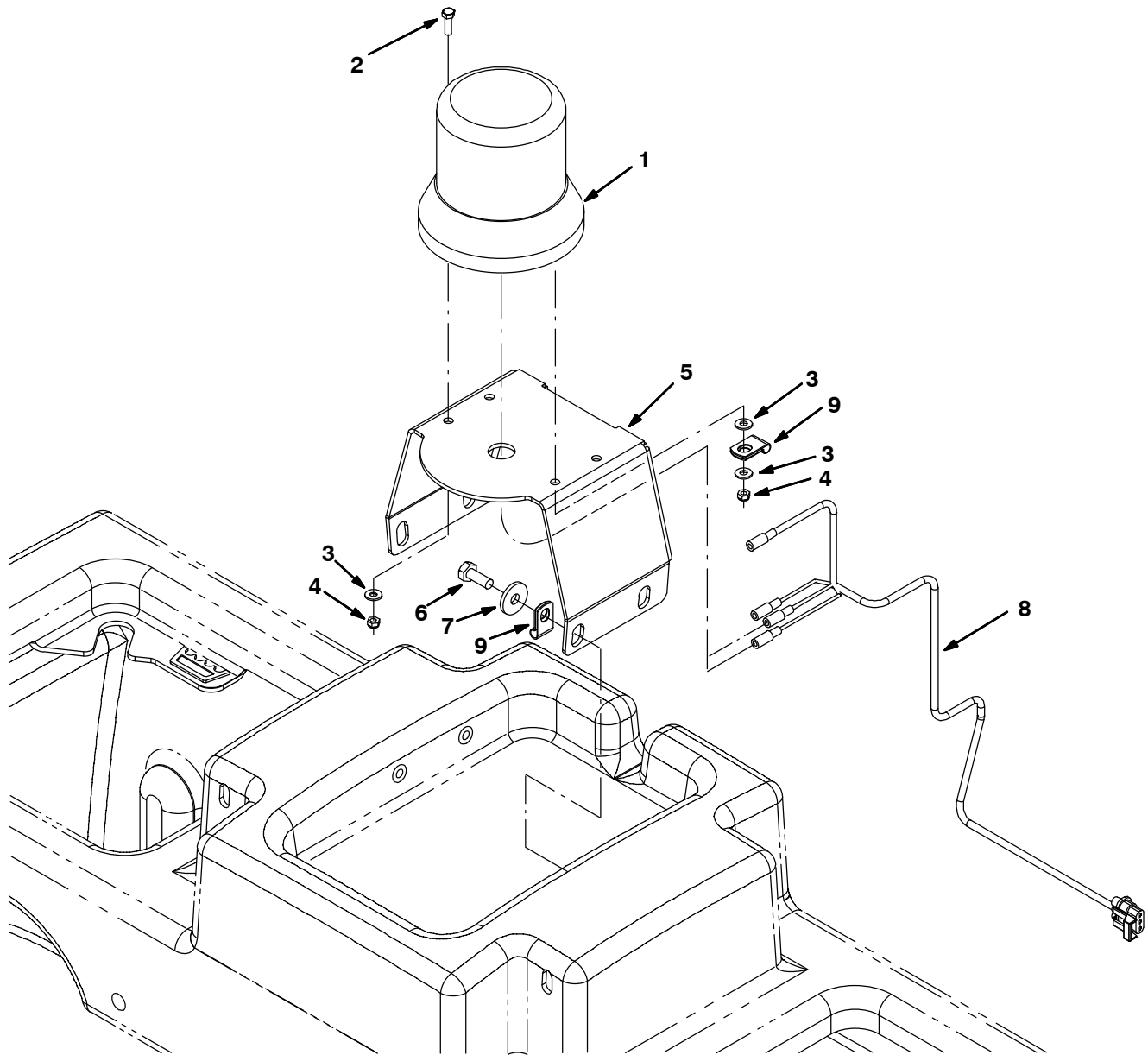
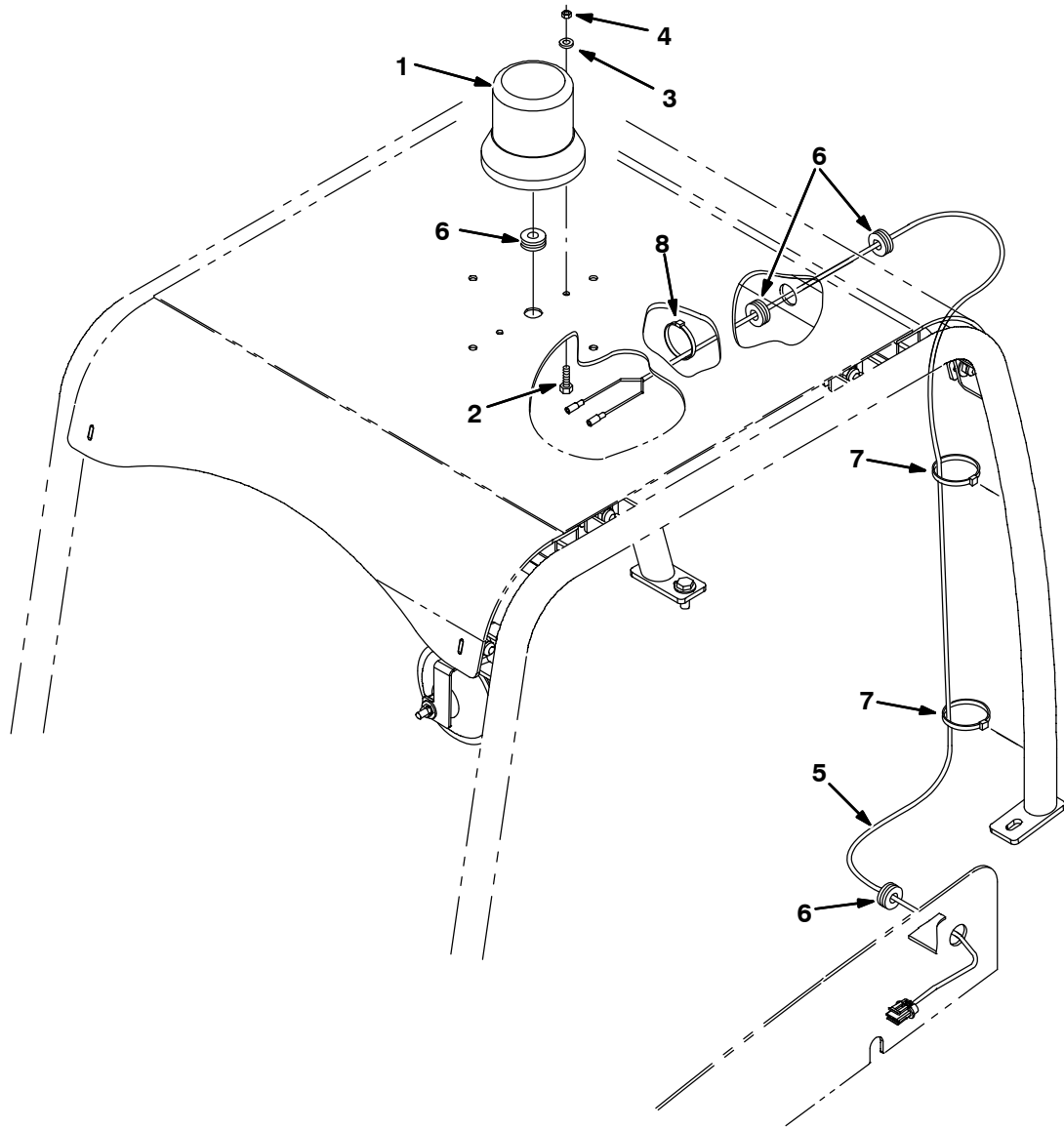


Fig. 31 – Light Kit, Revolving

	Ref.	Part No.	Serial Number	Description	Qty.
▽		9001331	(000000–) Light Kit, Revl, Ci [M20 And T20]	1
▲▽	1	1017250	(000000–) Lamp Strobe, Amb [12–48 Vdc]	1
▲▲		9000879	(000000–) Lens, Lamp, Amb, Strobe/Flasher	1
▲▲		9000845	(000000–) Lamp, Bulb, Strobe	1
▲▲		1027800	(000000–) Lens, Blue, Option, F/ Revl / Flsh Light	1
▲▲		1027798	(000000–) Lens, Red, Option, F/ Revl / Flsh Light	1
▲		55272	(000000–) Terminal, Bullet, Mal, .157d, 12ga	2
▲	2	24196	(000000–) Screw, Pan, Phl, M5 X 0.80 X 20, Ss	2
▲	3	19066	(000000–) Washer, Flat, 10	2
▲	4	09739	(000000–) Nut, Hex, Lock, M5 X 0.80, NI, Ss	2
▲	5	1019445	(000000–) Bracket, Sppt, Revl Light	1
▲	6	09740	(000000–) Screw, Hex, M8 X 1.25 X 20, Ss	4
▲	7	1017218	(000000–) Washer, Flat, 0.32b 1.00d .12, Ss	4
▲	8	1019971	(000000–) Harness, Warning / Backup [M20 & T20]	1
▲	9	46236	(000000–) Clamp, Cable, Stl, 0.25D X 0.56W, 1Hole	2

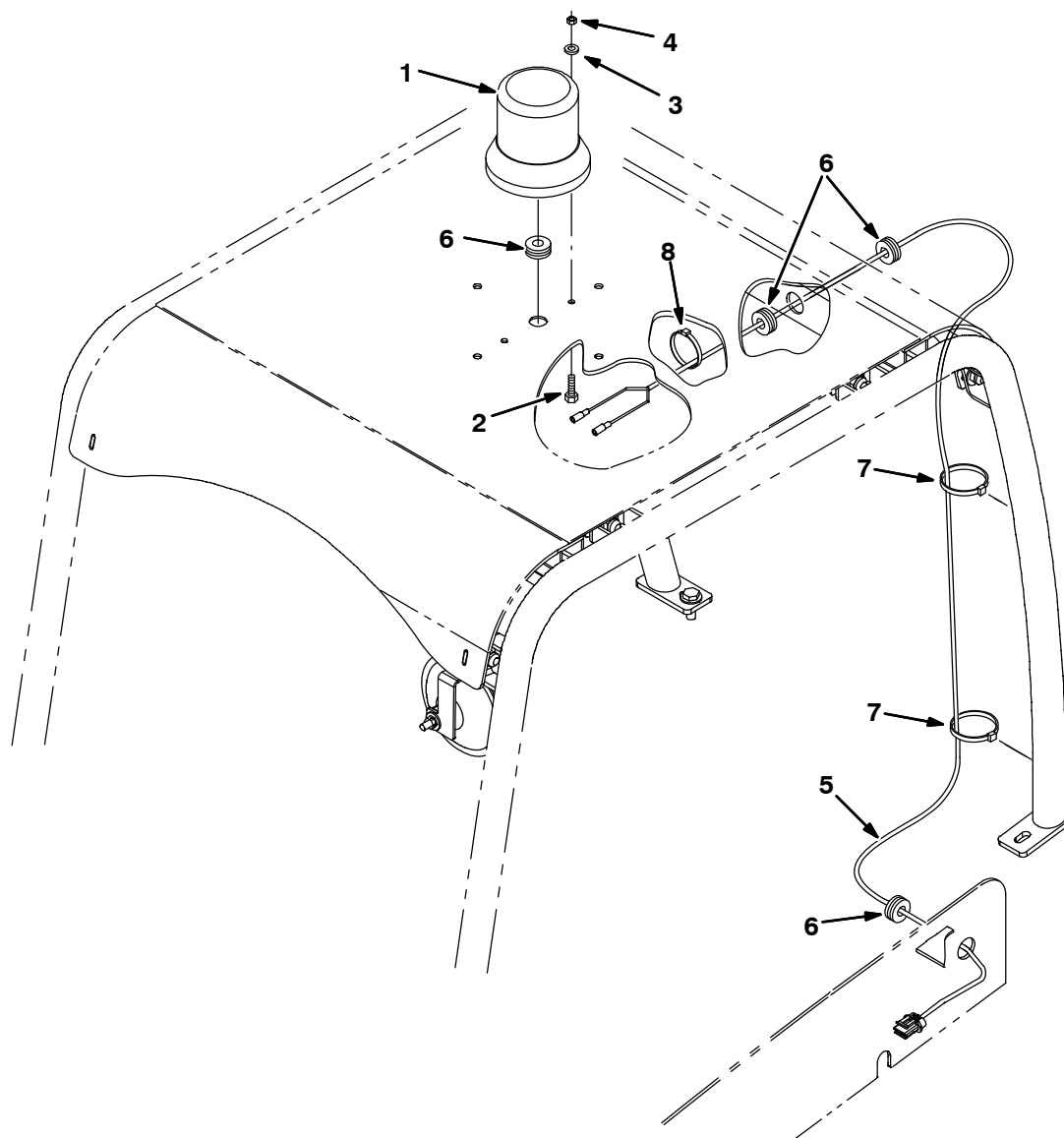
Fig. 32 – Light Kit, Flashing Overhead Guard



354477

Ref.	Part No.	Serial Number	Description	Qty.
▽	9001718	(000000–) Light Kit, Flsh, W/Ohg, Ci[M20 And T20]	1
▲▽	1 1017248	(000000–) Lamp, Flasher, Amb [12–48 Vdc]	1
▲▲	9000879	(000000–) Lens, Lamp, Amb, Strobe/Flasher	1
▲▲	9000846	(000000–) Lamp, Bulb, Flsh	1
▲▲	1027800	(000000–) Lens, Blue, Option, F/ Revl / Flsh Light	1
▲▲	1027798	(000000–) Lens, Red, Option, F/ Revl / Flsh Light	1
▲	55272	(000000–) Terminal, Bullet, Mal, .157d, 12ga	2
▲	2 24196	(000000–) Screw, Pan, Phl, M5 X 0.80 X 20, Ss	2
▲	3 19066	(000000–) Washer, Flat, 10	2
▲	4 09739	(000000–) Nut, Hex, Lock, M5 X 0.80, NI, Ss	2
▲	5 1019647	(000000–) Harness, Warning / Ohg [M20]	1
▲	6 10632–17	(000000–) Grommet, Rbr, 0.50id, F/0.8h, .12 Matl	4
▲	7 763115	(000000–) Tie, Cable, 6.0l, 1.25d Max	4
▲	8 49266	(000000–) Tie, Cable, Nyl, 07.3l .19w 1.8 Max D	2

Fig. 33 – Light Kit, Revolving Overhead Guard



354477

Ref.	Part No.	Serial Number	Description	Qty.
▽	9001717	(000000–) Light Kit, Revl, W/Ohg, Ci [M20 And T20]	1
▲▽	1 1017250	(000000–) Lamp Strobe, Amb [12–48 Vdc]	1
▲▲	9000879	(000000–) Lens, Lamp, Amb, Strobe/Flasher	1
▲▲	9000845	(000000–) Lamp, Bulb, Strobe	1
▲▲	1027800	(000000–) Lens, Blue, Option, F/ Revl / Flsh Light	1
▲▲	1027798	(000000–) Lens, Red, Option, F/ Revl / Flsh Light	1
▲	55272	(000000–) Terminal, Bullet, Mal, .157d, 12ga	2
▲	2 24196	(000000–) Screw, Pan, Phl, M5 X 0.80 X 20, Ss	2
▲	3 19066	(000000–) Washer, Flat, 10	2
▲	4 09739	(000000–) Nut, Hex, Lock, M5 X 0.80, NI, Ss	2
▲	5 1019647	(000000–) Harness, Warning / Ohg [M20]	1
▲	6 10632–17	(000000–) Grommet, Rbr, 0.50id, F/0.8h, .12 Matl	4
▲	7 763115	(000000–) Tie, Cable, 6.0l, 1.25d Max	4
▲	8 49266	(000000–) Tie, Cable, Nyl, 07.3l .19w 1.8 Max D	2

Fig. 34 - Overhead Guard Kit

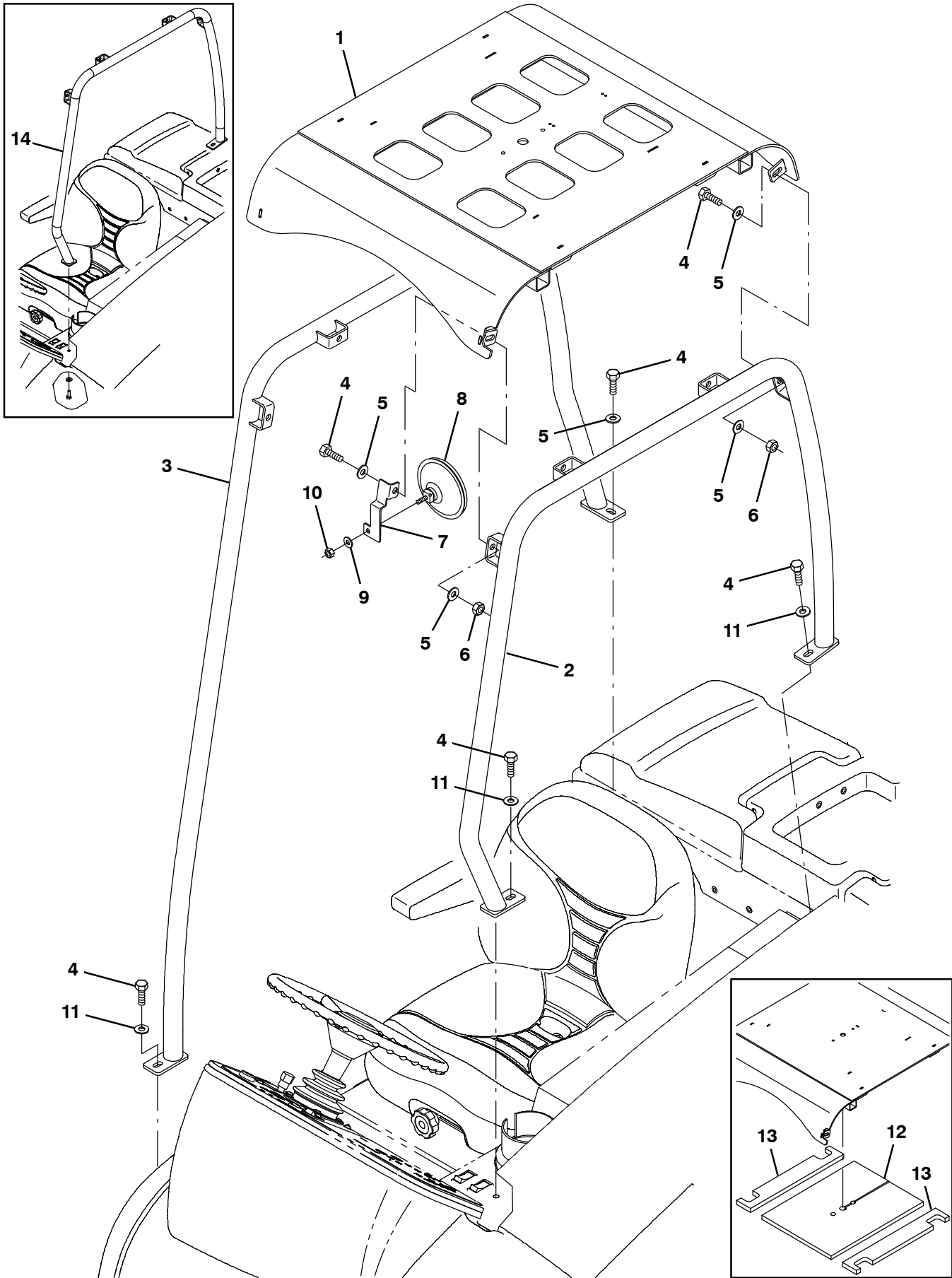


Fig. 34 – Overhead Guard Kit

Ref.	Part No.	Serial Number	Description	Qty.
▽	9001314	(000000–) Ohg Kit, Ci [M20 And T20]	1
▲	1 1022276	(000000–) Guard Wldt, Top, Ohg	1
▲	2 1069241	(002734–) Tube Wldt, Leg, Ohg, Lh, Pntd	1
▲	3 1069253	(000000–) Tube Wldt, Leg, Ohg, Rh, Pntd	1
▲	4 03192	(000000–) Screw, Hex, M10 X 1.5 X 30, 8.8	12
▲	5 32492	(000000–) Washer, Flat, 0.38 Std	17
▲	6 41430	(000000–) Nut, Hex, Lock, M10 X 1.5, NI	8
▲	7 1023879	(000000–) Bracket, Mtg, Mirror, Rearview	1
▲	8 1050295	(000000–) Mirror, Convex, 0.50D	1
▲	9 32491	(000000–) Washer, Flat, 0.31, Std	1
▲	10 19313	(000000–) Nut, Hex, Std, .31–18	1
▲	11 1014563	(000000–) Washer, Flat, 0.40b 1.12d .12, Ss	3
	12 1032830	(000000–005915) Insulation	1
	13 1032831	(000000–005915) Insulation	2
	14 1022265	(000000–002733) Tube Wldt, Leg, Ohg, Lh, Pntd	1

Fig. 35 - Telemetry Group

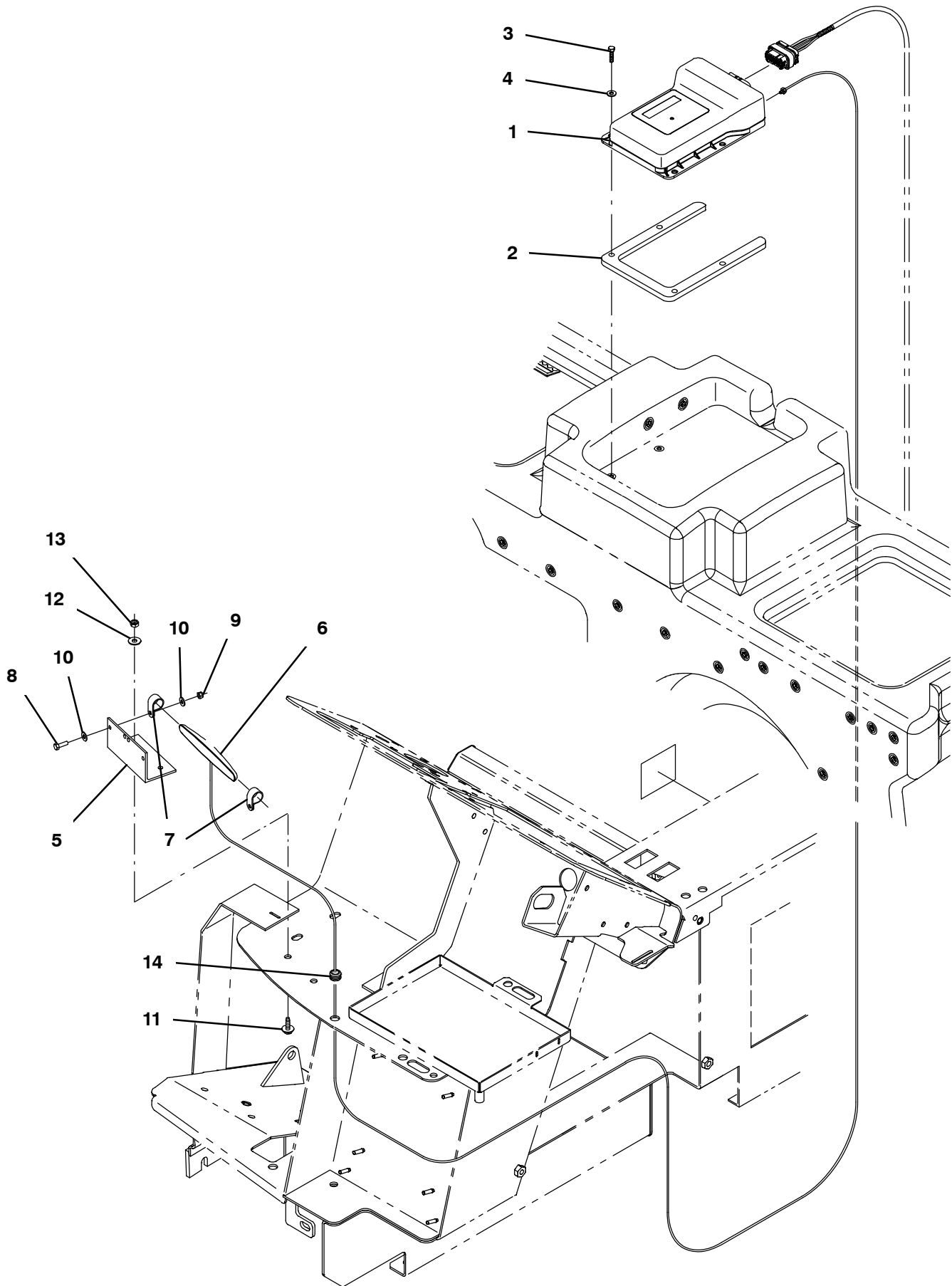
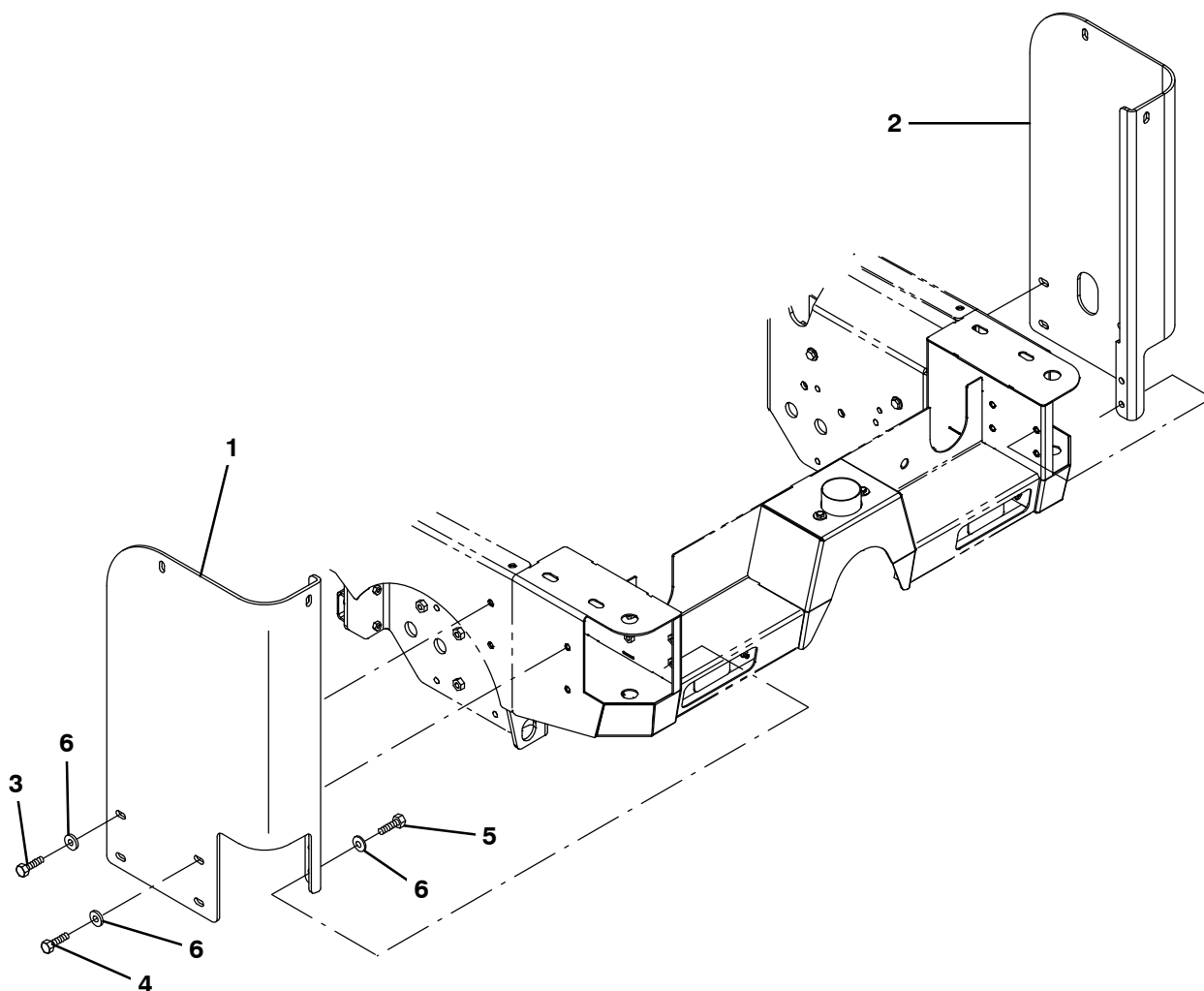


Fig. 35 – Telemetry Group

Ref.	Part No.	Serial Number	Description	Qty.
1	9010085	(000000-) Control Box Assy Kit, Replmt, Telem [USA]	1
1	9010086	(000000-) Control Box Assy Kit, Replmt, Telem [CAN]	1
2	1071062	(000000-) Bracket, Spacer, Controlbox	1
3	09252	(000000-) Screw,Hex, M5 X 0.80 X 29, 8.8	4
4	01683	(000000-) Washer, Flat, 10, Ss	4
5	1070402	(000000-) Angle, mtg, Antenna, Telem	1
6	1070659	(000000-) Antenna, Telem, 70 In [Gprs]	1
7	140916	(000000-) Clamp, Cable, Nyl, 0.62D, Nat	2
8	24199	(000000-) Screw, Hex, M5 X 0.80 X 16, Ss	2
9	06549	(000000-) Nut, Hex, Lock, M5 X 0.80, NI	2
10	01683	(000000-) Washer, Flat, 10, Ss	4
11	1040467	(000000-) Screw, hex, H6 X 1.00 X 20, 9.8, Sems	2
12	01684	(000000-) Washer, Flat, 0.27B 0.69D .05, Ss	2
13	08712	(000000-) Nut, hex, Lock, M6 X 1.00, NI, Ss	2
14	10632-12	(000000-) Grommet, Rbr, 0.38id, F/0.5H, .12 Matl	1

Fig. 37 – Heavy Duty Bumper Kit



354537

Ref.	Part No.	Serial Number	Description	Qty.
▽	9003142	(000000–) Bumper Kit, Hd, Ci [T20]	1
▲	1 1027850	(000000–) Plate, Bmpr, Lh	1
▲	2 1027588	(000000–) Plate, Bmpr, Rh	1
▲	3 06962	(000000–) Screw, Hex, M10 X 1.50 X 45, 8.8	4
▲	4 09028	(000000–) Screw, Hex, M10 X 1.50 X 25, Ss	4
▲	4 03192	(000000–) Screw, Hex, M10 X 1.50 X 30, 8.8	4
▲	4 32492	(000000–) Washer, Flat, 0.38, Std	12

Fig. 38 – Vacuum Wand Kit

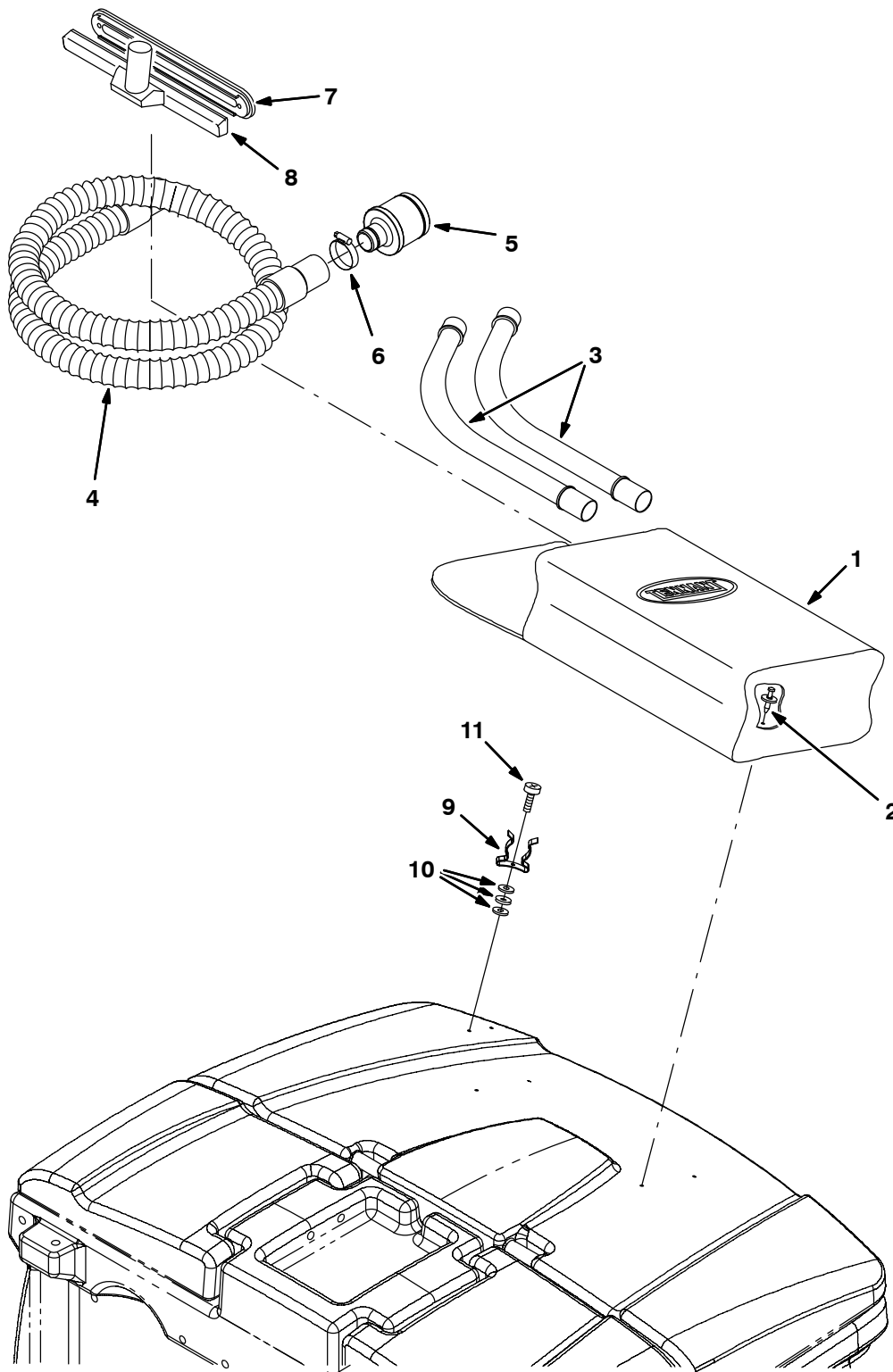


Fig. 38 – Vacuum Wand Kit

	Ref.	Part No.	Serial Number	Description	Qty.
▽		9003134	(000000–) Wand Kit, Vac, Sqge, Ci [T20]	1
▲	1	65580	(000000–) Bag, Power	1
▲	2	72968	(000000–) Rivet, Plstc, .250 X 0.898	4
▲	3	63448	(000000–) Tube, Wand, Vacuum, Metal [1pick=1box]	1
▲	4	86767	(000000–) Hose Assy, W/2cuff, 1.5d 90l 1.5/1.5	1
▲	5	1029396	(000000–) Fitting, Alm, Str, Bm24/Bm48	1
▲	6	79381	(000000–) Clamp, Hose, Wormdrive, 1.25–2.00D, .50W	1
▲	7	63430	(000000–) Shoe, Plstc, Sqge, 14.0	1
▲	8	63451	(000000–) Nozzle, Wand, Plstc, 14.0lg	1
▲	9	67004	(000000–) Clip, Grip, Finger, 1.00–1.88d White,Vyl	2
▲	10	19064	(000000–) Washer, Flat, #06	6
▲	11	55845	(000000–) Screw, Hex, M5 X 0.8 X 16, Fmg	2

Fig. 39 – Power Wand Hose Assembly

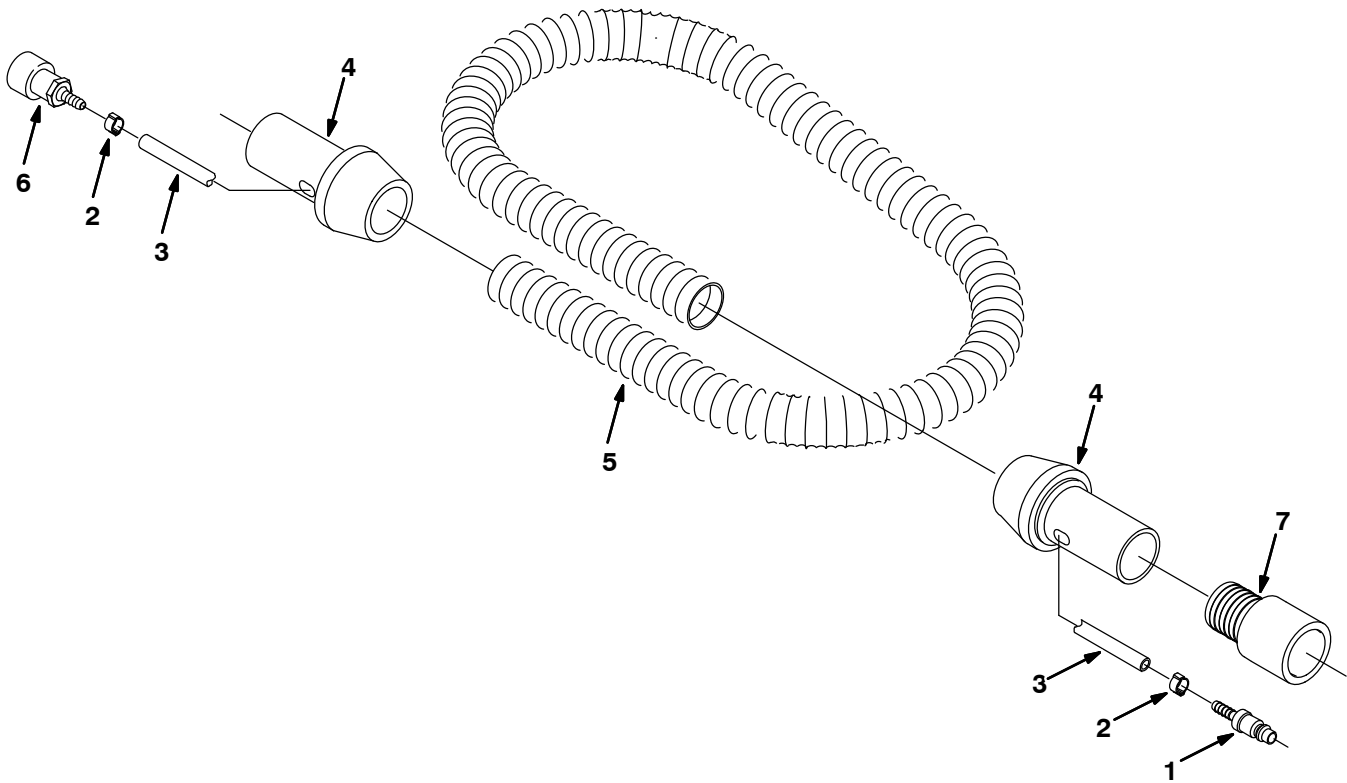


Fig. 39 – Power Wand Hose Assembly

NOTE: Power Wand Kit, Tennant Part Number 9003138, includes; Fig. 39, Fig. 40, and Fig. 41.

NOTE: Power Wand Kit with spray nozzle, Tennant Part Number 9003137, includes; Fig. 39, Fig. 40, and Fig. 42.

	Ref.	Part No.	Serial Number	Description	Qty.
▽		65341	(000000–) Hose Assy, Wand, Power	1
▲	1	578318000	(000000–) Fitting, Stl, Qdc, Bm04	1
▲	2	578160000	(000000–) Clamp, Hose, Ear, 11–13mm, Ss	2
▲	3	578820000	(000000–) Hose, Pvc, Brd, 0.25id 0.44od 157.2l,Clr	1
▲	4	578072000	(000000–) Cuff, Swivel, 1.5 Blk	2
▲	5	578276000	(000000–) Hose, Vacuum, 1.50id X 10ft, Gray	1
▲	6	578071000	(000000–) Fitting, Brs, Qdc, Bm04/Pf04	1
	7	1029396	(000000–) Fitting, Alm, Str, Bm24/Bm48	1

Fig. 40 – Power Wand Assembly

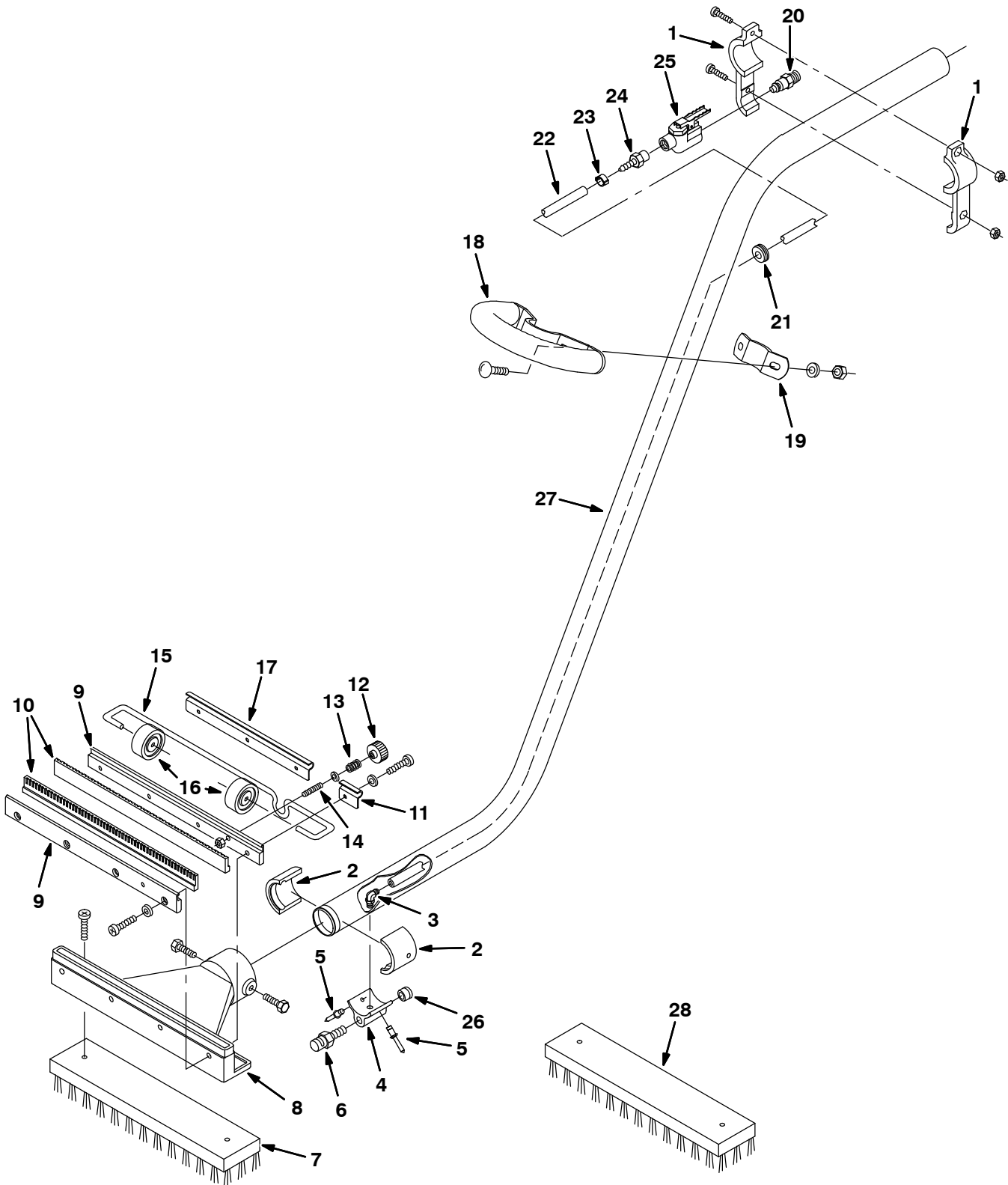


Fig. 40 – Power Wand Assembly

NOTE: Power Wand Kit, Tennant Part Number 9003138, includes; Fig. 39, Fig. 40, and Fig. 41.

NOTE: Power Wand Kit with spray nozzle, Tennant Part Number 9003137, includes; Fig. 39, Fig. 40, and Fig. 42.

Ref.	Part No.	Serial Number	Description	Qty.
▽	65340	(000000–) Wand Assy, Power	1
▲	1 578077000	(000000–) Bracket, Wand, Valve Mtg	1
▲	2 578061000	(000000–) Adapter, Head / Wand [17b/E]	2
▲	3 578214000	(000000–) Fitting, Plstc, E90, Bm04/Pm02	1
▲	4 579112	(000000–) Fitting Spray Nozzle Adapter	1
▲	5 602036000	(000000–) Rivet, Blind [S2500 Drvblock]	2
▲	6 578066000	(000000–) Fitting, Brs, Tip [75, .125k–Jet]	1
▲	7 65610	(000000–) Brush, Power Wand, W/ FaSTener, Pyp	1
▲	8 578063000	(000000–) Head, Wand [17b/E]	1
▲	9 578078000	(000000–) Retainer, Sqge, Wand [17b/E]	2
▲	10 578074000	(000000–) Blade, Sqge, 300.8mml, Wand [17b/E, G]	2
▲	11 578124000	(000000–) Bracket, Axle, 1 Hole [17b/E]	1
▲	12 578439	(000000–) Nut, Thumb, M6 X 1.0, 30d	1
▲	13 578228000	(000000–) Spring, Cmpr, 0.40od .04wir 00.6l, Ss	1
▲	14 578143000	(000000–) Screw, Set, M6 X 1.00 X 40, Ss [Cuppt]	1
▲	15 578126000	(000000–) Axle, Wand [17b/E]	1
▲	16 578125000	(000000–) Wheel, 41.3d 19.1w, Rbr	2
▲	17 578123000	(000000–) Bracket, Axle, 3 Hole [17b/E]	1
▲	18 578155000	(000000–) Handle Wldt, Wand	1
▲	19 578154000	(000000–) Bracket, Wand, Handle	1
▲	20 578091000	(000000–) Fitting, Brs, Qdc, Pm04, Plug	1
▲	21 578164000	(000000–) Grommet, 0.38id, F/0.6h, .06 Matl	1
▲	22 578821000	(000000–) Hose, Pyu, 0.25id 0.38od 1220mml, Blk	1
▲	23 578161000	(000000–) Clamp, Hose, Ear, 8–11mm, Ss	2
▲	24 578094000	(000000–) Fitting, Nyl, Str, Bm04/Pm04	1
▲	25 578064000	(000000–) Valve, Cntrl, Water	1
▲	26 150208	(000000–) Fitting, Brs, Str, Pm02, Plug [Skhd]	1
▲	27 578060000	(000000–) Wand, Dbl Bend, 38.1mmd	1
▲	28 65582	(000000–) Brush, Power Wand, W/ FaSTener, Abr	1

Fig. 41 – Power Wand Pump and Mount Group

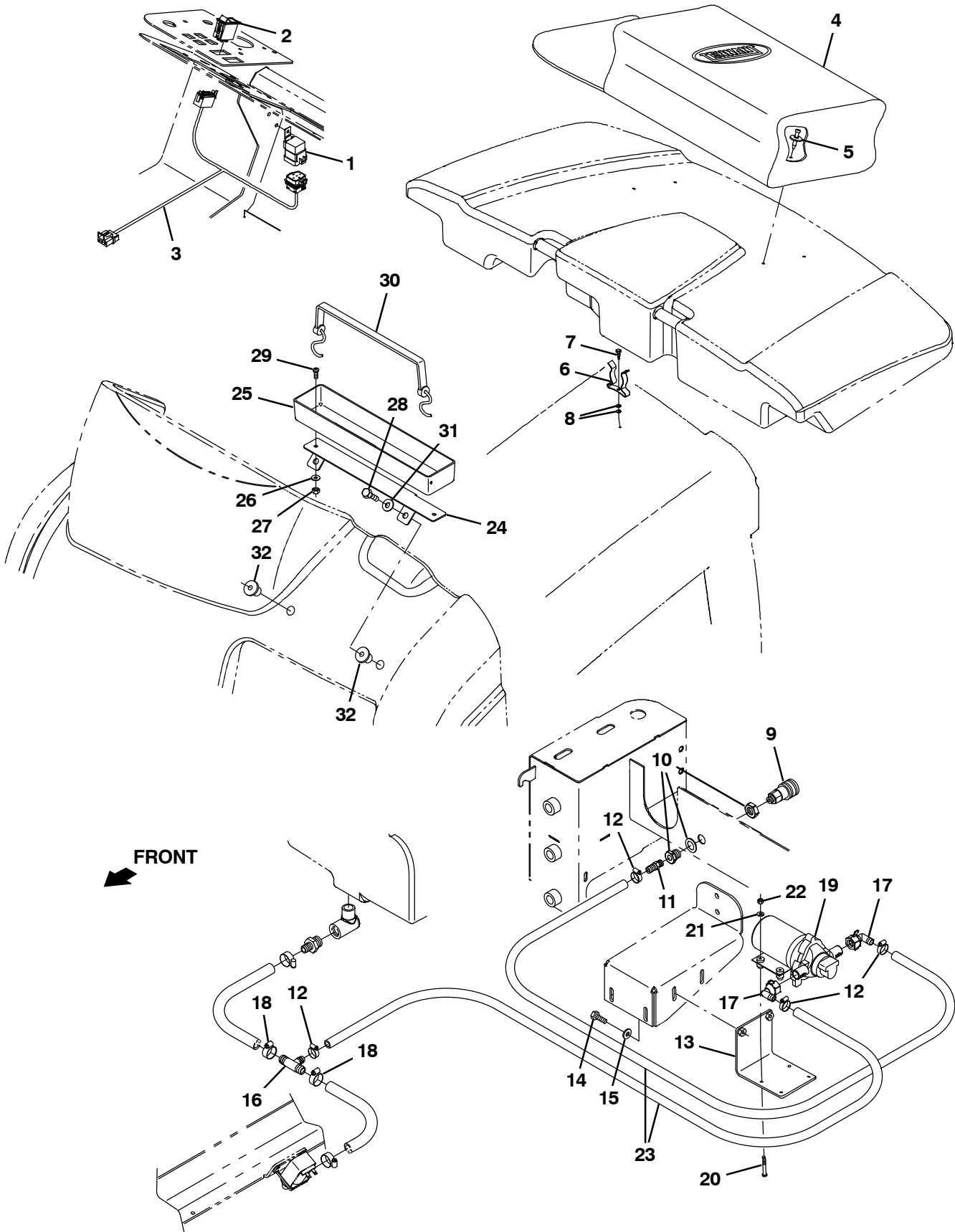


Fig. 41 – Power Wand Pump and Mount Group

NOTE: Power Wand Kit, Tennant Part Number 9003138, includes; Fig. 39, Fig. 40, and Fig. 41.

Ref.	Part No.	Serial Number	Description	Qty.
1	56186	(000000–)	Relay, 12vdc, 040a, Spdt No	1
2	398500	(000000–)	Switch, Rocker, Dpdt, On / None / On	1
3	1021881	(000000–)	Harness, Spray, Nozzle	1
4	65580	(000000–)	Bag, Power	1
5	72968	(000000–)	Rivet, Plstc, .250d X 0.90	4
6	67004	(000000–)	Clip, Grip, Finger, 1.00–1.88d White,Vyl	1
7	09228	(000000–)	Screw, Hex, M4 X 0.7 X 20, 8.8	1
8	19064	(000000–)	Washer, Flat, #06	2
9	65342	(000000–)	Fitting, Brs, Qdc, Pm04/Qf06	1
10	78122	(000000–)	Fitting, Brs, Str, Pf04/Pf04, Bh	1
11	48610	(000000–)	Fitting, Plstc, Str, Bm08/Pm04	1
12	54333	(000000–)	Clamp, Hose, Wormdrive, 0.31–0.88d, .31w	4
13	1023585	(000000–)	Bracket, Mtg, Pump	1
14	09740	(000000–)	Screw, Hex, M8 X 1.25 X 20, Ss	2
15	32491	(000000–)	Washer, Flat, 0.31, Std	2
16	385644	(000000–006330)	Fitting, Plstc, Tee, Bm08/Bm12/Bm12, Br	1
16	1015486	(006331–)	Fitting, Plstc, Tee, Bm08/Bm10/Bm10, Br	1
17	1018499	(000000–)	Fitting, Plstc, E90, Bm08/Pf08s, Swivel	2
18	63810	(000000–)	Clamp, Hose, Wormdrive, 0.56–1.06d, .56w	2
19	1026743	(000000–)	Pump, Diaphragm	1
20	06939	(000000–)	Screw, Pan, M5 X 0.80 X 45, 4.8	4
21	19066	(000000–)	Washer, Flat, #10	4
22	06549	(000000–)	Nut, Hex, Lock, M5 X 0.80, NI	4
23	1011837	(000000–)	Hose, Afmkt, Pvc, Brd, 0.50id, 12ft, Clr	1
24	1030407	(000000–)	Bracket, Mtg, Wand	1
25	61212	(000000–)	Tray	1
26	01684	(000000–)	Washer,Flat 0.25, Ss	2
27	08712	(000000–)	Nut, Hex, Lock, M6 X 1.00, Ss, NI	2
28	21198	(000000–)	Screw, Hex, .38–16 X 1.25, G5	2
29	367770	(000000–)	Screw, Pan, M6 X 1.0 X 16, Ss	2
30	57769	(000000–)	Strap, Rbr, 13.2l [2/S Hooks]	1
31	32492	(000000–)	Washer, Flat, 0.38, Std	2
32	397648	(000000–)	Nut, Isolator, .38–16 Wall Th .015–.437	2

Fig. 42 – Power Wand Pump and Mount Group with Spray Nozzle

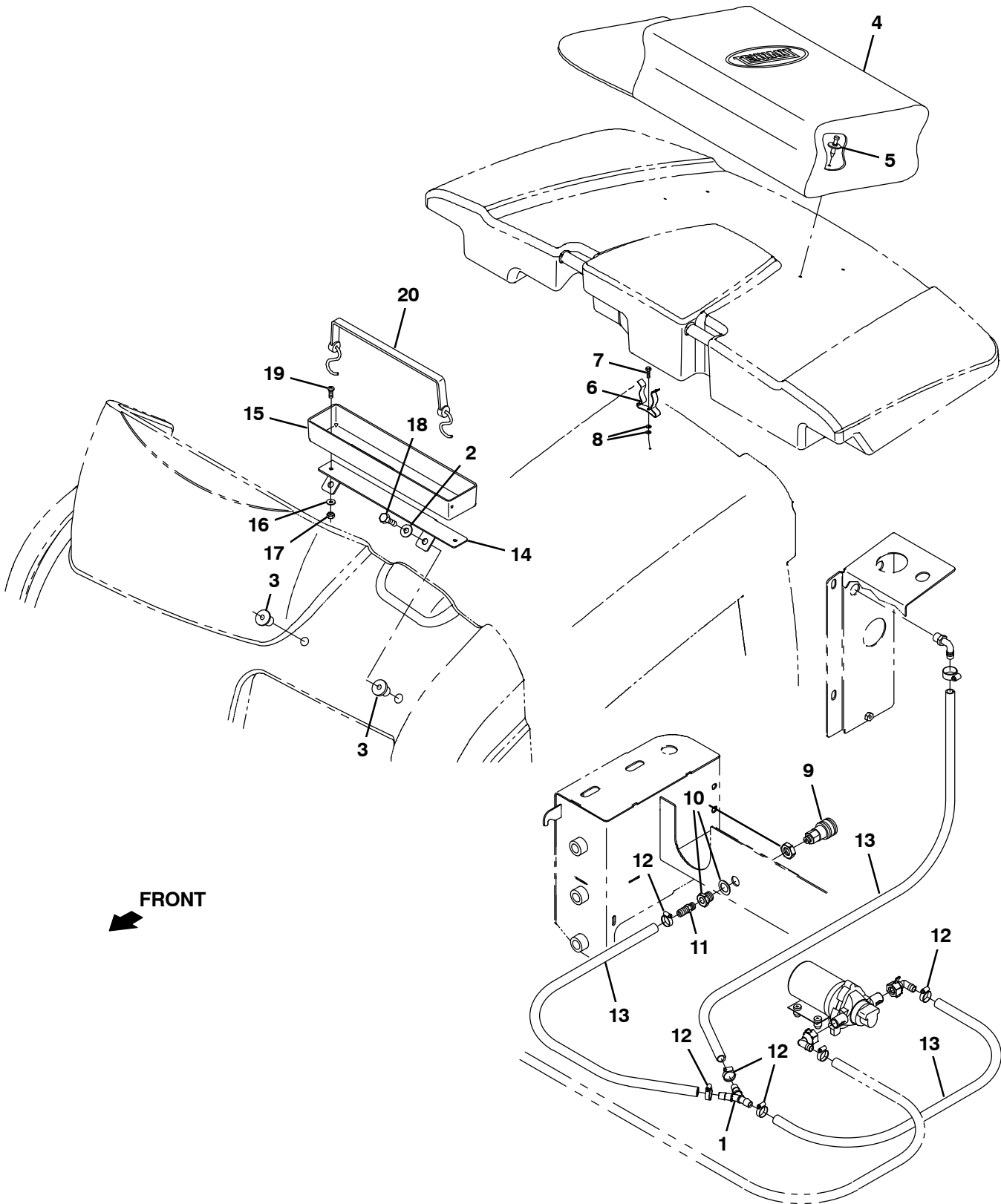


Fig. 42 – Power Wand Pump and Mount Group with Spray Nozzle

NOTE: Power Wand Kit with spray nozzle, Tennant Part Number 9003137, includes; Fig. 39, Fig. 40, and Fig. 42.

Ref.	Part No.	Serial Number	Description	Qty.
1	1010668	(000000–) Fitting, Plstc, Y, Bm08/Bm08/Bm08, Nyl	1
2	32492	(000000–) Washer, Flat, 0.38, Std	2
3	397648	(000000–) Nut, Isolator, .38–16 Wall Th .015–.437	2
4	65580	(000000–) Bag, Power	1
5	72968	(000000–) Rivet, Plstc, .250d X 0.90	4
6	67004	(000000–) Clip, Grip, Finger, 1.00–1.88d White,Vyl	1
7	09228	(000000–) Screw, Hex, M4 X 0.7 X 20, 8.8	1
8	19064	(000000–) Washer, Flat, #06	2
9	65342	(000000–) Fitting, Brs, Qdc, Pm04/Qf06	1
10	78122	(000000–) Fitting, Brs, Str, Pf04/Pf04, Bh	1
11	48610	(000000–) Fitting, Plstc, Str, Bm08/Pm04	1
12	54333	(000000–) Clamp, Hose, Wormdrive, 0.31–0.88d, .31w	4
13	1011837	(000000–) Hose, Afmkt, Pvc, Brd, 0.50id, 12ft, Clr	1
14	1030407	(000000–) Bracket, Mtg, Wand	1
15	61212	(000000–) Tray	1
16	01684	(000000–) Washer,Flat 0.25, Ss	2
17	08712	(000000–) Nut, Hex, Lock, M6 X 1.00, Ss, NI	2
18	21198	(000000–) Screw, Hex, .38–16 X 1.25, G5	2
19	367770	(000000–) Screw, Pan, M6 X 1.0 X 16, Ss	2
20	57769	(000000–) Strap, Rbr, 13.2l [2/S Hooks]	1

Fig. 43 - Spray Nozzle Kit

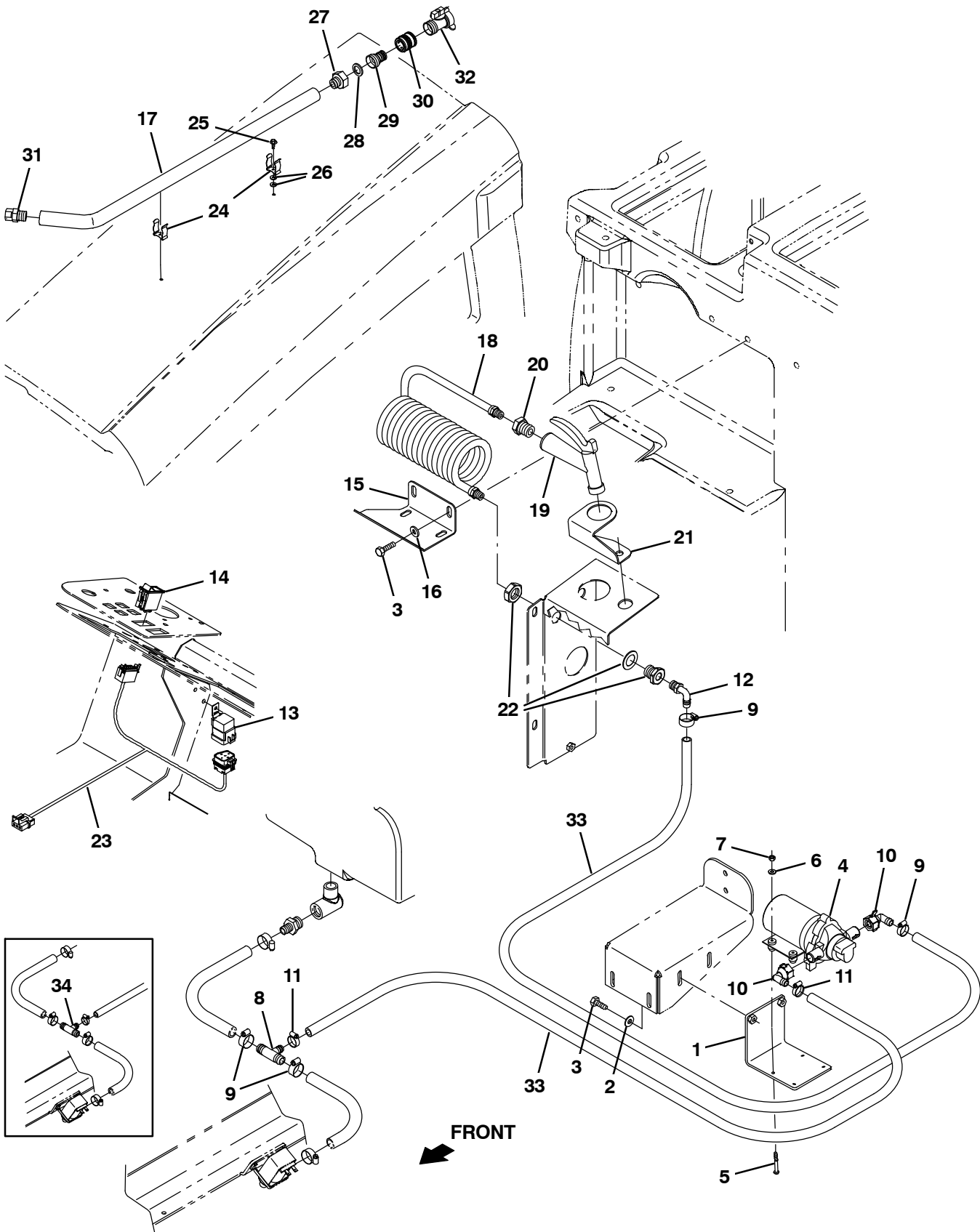


Fig. 43 – Spray Nozzle Kit

Ref.	Part No.	Serial Number	Description	Qty.
▽	9003139	(000000–) Nozzle kit, Spray, Ci [T20]	1
▲	1 1023585	(000000–) Bracket, Mtg, Pump	1
▲	2 32491	(000000–) Washer, Flat, 0.31, Std	2
▲	3 09740	(000000–) Screw, Hex, M8 X 1.25 X 20, Ss	4
▲	4 1026743	(000000–) Pump, Diaphragm	1
▲	5 06939	(000000–) Screw, Pan, M5 X 0.80 X 45, 4.8	4
▲	6 19066	(000000–) Washer, Flat, #10	4
▲	7 06549	(000000–) Nut, Hex, Lock, M5 X 0.80, NI	4
▲	8 1015486	(006331–) Fitting, Plstc, Tee, Bm08/Bm10/Bm10, Br	1
▲	9 63810	(000000–) Clamp, Hose, Wormdrive, 0.56–1.06d, .56w	4
▲	10 1018499	(000000–) Fitting, Plstc, E90, Bm08/Pf08s, Swivel	1
▲	11 54333	(000000–) Clamp, Hose, Wormdrive, 0.31–0.88d, .31w	2
▲	12 64778	(000000–) Fitting, Plstc, E90, Bm08/Pm06	1
▲	13 56186	(000000–) Relay, 12vdc, 040a, Spdt No	1
▲	14 398500	(000000–) Switch, Rocker, Dpdt, On / None / On	1
▲	15 1029790	(000000–) Bracket, Mtg, Spray Wand [FaST, Conv]	1
▲	16 1017218	(000000–) Washer, Flat, 0.32b 1.00d .12, Ss	2
▲	17 1029055	(000000–) Wand, Clean-Out	1
▲	18 1019250	(000000–) Hose, Water, Coil, 0.38id 0.56od	1
▲	19 769785	(000000–) Nozzle, Spray, Gun	1
▲	20 1027976	(000000–) Fitting, Brs, Str, Pf06/Pm12	1
▲	21 1027237	(000000–) Bracket, Mtg, Spray Handle	1
▲	22 1027978	(000000–) Fitting, Brs, Str, Pf06/Pf06 Bh	1
▲	23 1021881	(000000–) Harness, Spray, Nozzle	1
▲	24 1029057	(000000–) Clip, Grip, Finger, .875–1.25	2
▲	25 20394	(000000–) Screw, Hex, #10–16 X 0.62, Fmg [Ab]	2
▲	26 01683	(000000–) Washer, Flat, #10, Ss	4
▲	27 375321	(000000–) Fitting, Brs, Str, Pm08/Garden Hose	1
▲	28 01316	(000000–) Washer, Flat, 0.66b 1.00d .12, Rbr	1
▲	29 1029153	(000000–) Fitting, Brs, Spcl [Garden Hose]	1
▲	30 1029155	(000000–) Coupling, Nozzle, Spray	1
▲	31 1029156	(000000–) Nozzle	1
▲	32 1029399	(000000–) Valve, Shutoff	1
▲	33 1011837	(000000–) Hose, Afmkt, Pvc, Brd, 0.50id, 12ft, Clr	1
▲	34 385644	(000000–006330) Fitting, Plstc, Tee, Bm08/Bm12/Bm12, Br	1

Fig. 44 – Spray Nozzle Kit with Power Wand

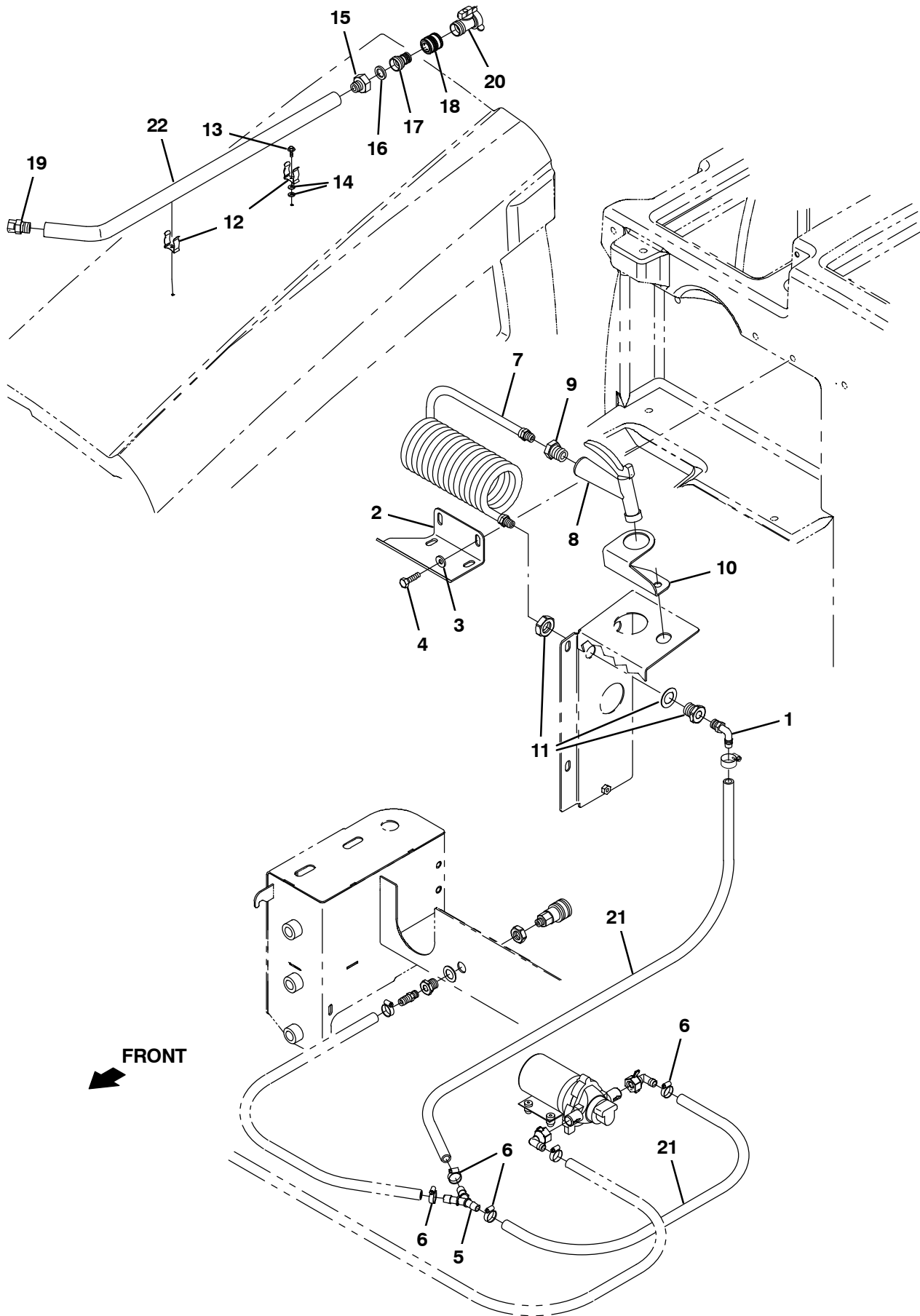


Fig. 44 – Spray Nozzle Kit with Power Wand

Ref.	Part No.	Serial Number	Description	Qty.
▽	9003282	(000000–) Nozzle Kit, Spray, W/Pwr Wand, Ci [T20]	1
▲	1 64778	(000000–) Fitting, Plstc, E90, Bm08/Pm06	1
▲	2 1029790	(000000–) Bracket, Mtg, Spray Wand [FaST, Conv]	1
▲	3 1017218	(000000–) Washer, Flat, 0.32b 1.00d .12, Ss	2
▲	4 09740	(000000–) Screw, Hex, M8 X 1.25 X 20, Ss	2
▲	5 1010668	(000000–) Fitting, Plstc, Y, Bm08/Bm08/Bm08, Nyl	1
▲	6 63810	(000000–) Clamp, Hose, Wormdrive, 0.56–1.06d, .56w	4
▲	7 1019250	(000000–) Hose, Water, Coil, 0.38id 0.56od	1
▲	8 769785	(000000–) Nozzle, Spray, Gun	1
▲	9 1027976	(000000–) Fitting, Brs, Str, Pf06/Pm12	1
▲	10 1027237	(000000–) Bracket, Mtg, Spray Handle	1
▲	11 1027978	(000000–) Fitting, Brs, Str, Pf06/Pf06 Bh	1
▲	12 1029057	(000000–) Clip, Grip, Finger, .875–1.25	2
▲	13 20394	(000000–) Screw, Hex, #10–16 X 0.62, Fmg [Ab]	2
▲	14 01683	(000000–) Washer, Flat, #10, Ss	4
▲	15 375321	(000000–) Fitting, Brs, Str, Pm08/Garden Hose	1
▲	16 01316	(000000–) Washer, Flat, 0.66b 1.00d .12, Rbr	1
▲	17 1029153	(000000–) Fitting, Brs, Spcl [Garden Hose]	1
▲	18 1029155	(000000–) Coupling, Nozzle, Spray	1
▲	19 1029156	(000000–) Nozzle	1
▲	20 1029399	(000000–) Valve, Shutoff	1
▲	21 1011837	(000000–) Hose, Afmkt, Pvc, Brd, 0.50id, 12ft, Clr	1
▲	22 1029055	(000000–) Wand, Clean-Out	1

Fig. 45 – Transport Kit

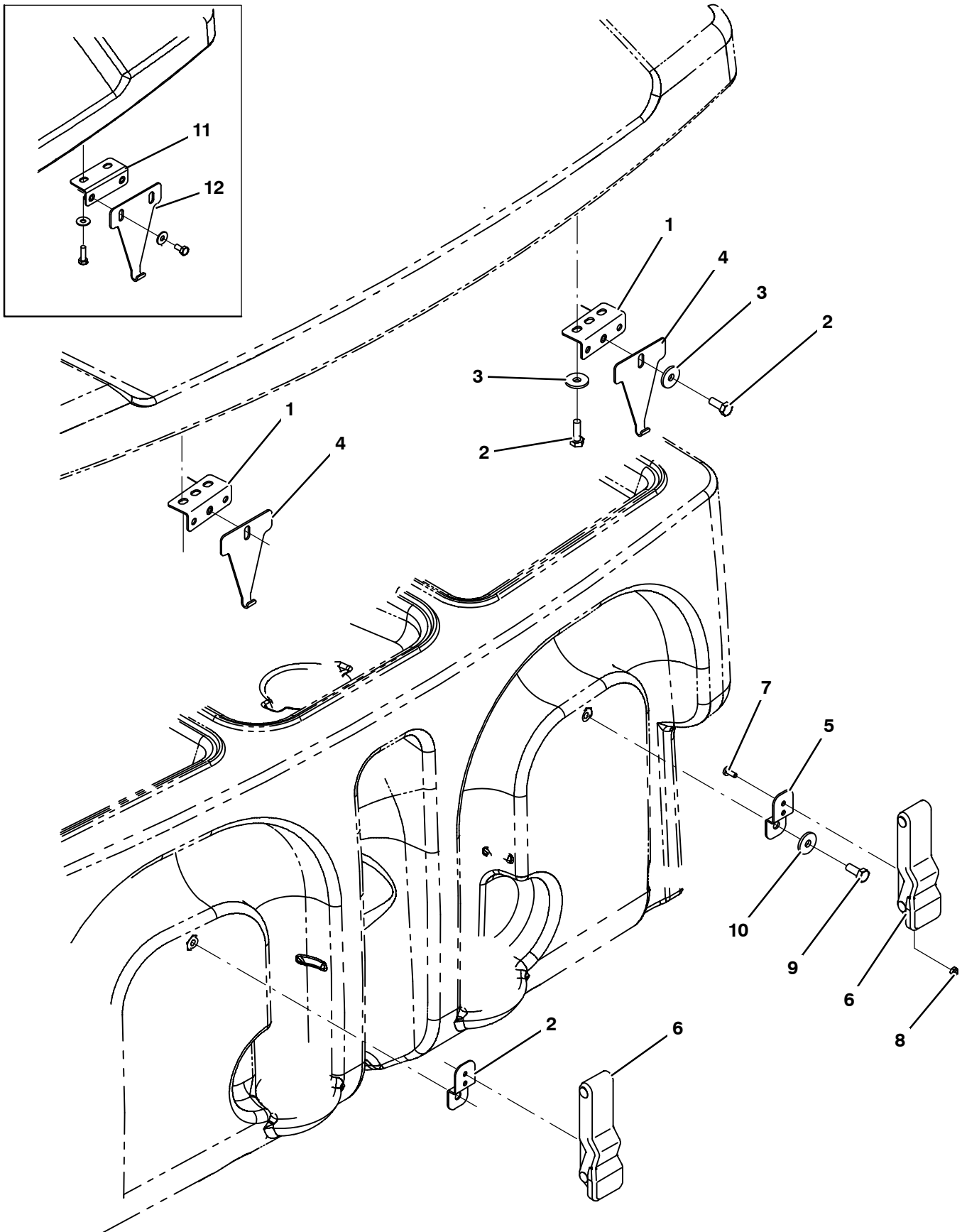


Fig. 45 – Transport Kit

	Ref.	Part No.	Serial Number	Description	Qty.
▽		9003143	(000000–) Transport Kit, Ci [T20]	1
▲	1	1040800	(001717–) Bracket, Latch, Cover	2
▲	2	09744	(000000–) Screw, Hex, M6 X 1.0 X 12, Ss	4
▲	3	01684	(000000–) Washer, Flat, 0.25, Ss	4
▲	4	1040633	(001717–) Plate, Hook, Latch	2
▲	5	1020526	(000000–) Bracket, Retaining, Hose	2
▲	6	360824	(000000–) Latch	2
▲	7	09200	(000000–) Screw, Pan, M5 X 0.8 X 12, Ss	4
▲	8	09739	(000000–) Nut, Hex, Lock, M5 X 0.80, NI, Ss	4
▲	9	393135	(000000–) Screw, Btn, M8 X 1.25 X 20, Blk	2
▲	10	32491	(000000–) Washer, Flat, 0.31, Std	2
	11	1032869	(000000–001716) Bracket, Latch, Cover	2
	12	1032884	(000000–001716) Plate, Hook, Latch	2

Fig. 46 – Squeegee Guard Kit

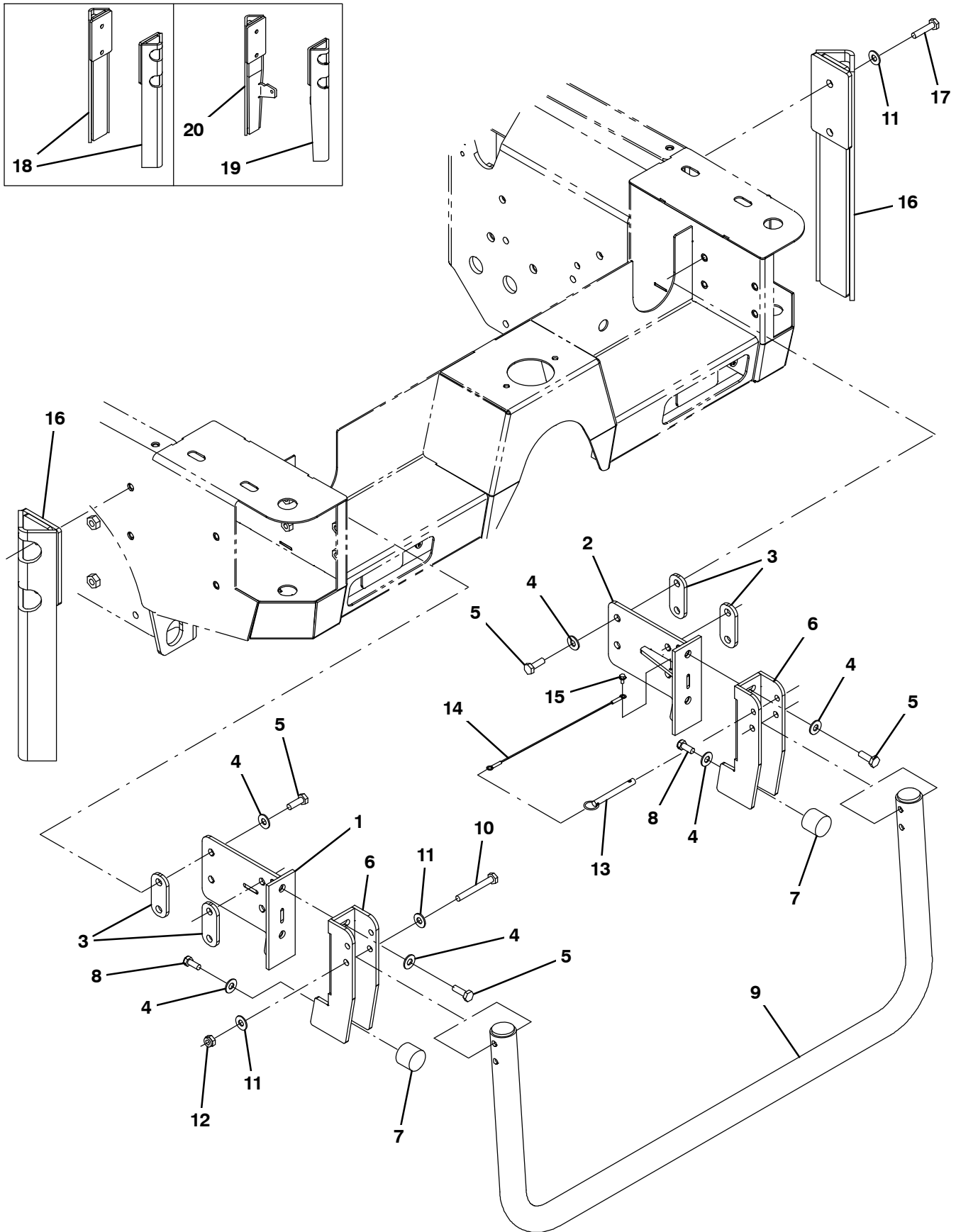


Fig. 46 – Squeegee Guard Kit

Ref.	Part No.	Serial Number	Description	Qty.
▽	9003135	(000000-) Guard Kit, Sqge, Ci [T20]	1
▲	1 1030557	(000000-) Support Wldt, Sqge, Lh Rear	1
▲	2 1030503	(000000-) Support Wldt, Sqge, Rh Rear	1
▲	3 1030522	(000000-) Link, .25 1.4w 3.2l 2/.5h	4
▲	4 01686	(000000-) Washer, Flat, 0.44b 1.00d .08, Ss	14
▲	5 12317	(000000-) Screw, Hex, M10 X 1.5 X 30, Ss	12
▲	6 1030515	(000000-) Channel Wldt, Guard, Sqge	1
▲	7 1024977	(000000-) Bumper, Ure, 1.50d 1.25l	2
▲	8 21196	(000000-) Screw, Hex, .38-16 X 0.88, G5	2
▲	9 1056195	(000000-) Guard Wldt, Pntd [M20/T20]	1
▲	10 06965	(000000-) Screw, Hex, M10 X 1.5 X 80, 8.8	2
▲	11 32492	(000000-) Washer, Flat, 0.38, Std	8
▲	12 41430	(000000-) Nut, Hex, Lock, M10 X 1.5, NI	2
▲	13 369359	(000000-) Pin, Hitch, .375d X 3.12l, PI	1
▲	14 57702	(000000-) Cable, Glv .06d 012.0l .26eye /.26eye	1
▲	15 223198	(000000-) Screw, Hex, M5 X 0.8 X 10, Fmg	1
▲	16 1045444	(xxxxxx-) Guard Wldt, Sqge [M20/T20/M30]	2
▲	17 06962	(000000-) Screw, Hex, M10 X 1.5 X 45, 8.8	4
▲	18 1025663	(000000-001689) Guard Wldt, Sqge Rep.BY1039069	2
▲	19 1040863	(001690-xxxxxx) Guard Wldt, Sqge [M20/T20 LH, M30 RH]	1
▲	20 1040871	(001690-xxxxxx) Guard Wldt, Sqge [M20/T20 RH, M30 LH]	1

Fig. 47 – Engine Radiator Screen Kit (002093–004999)

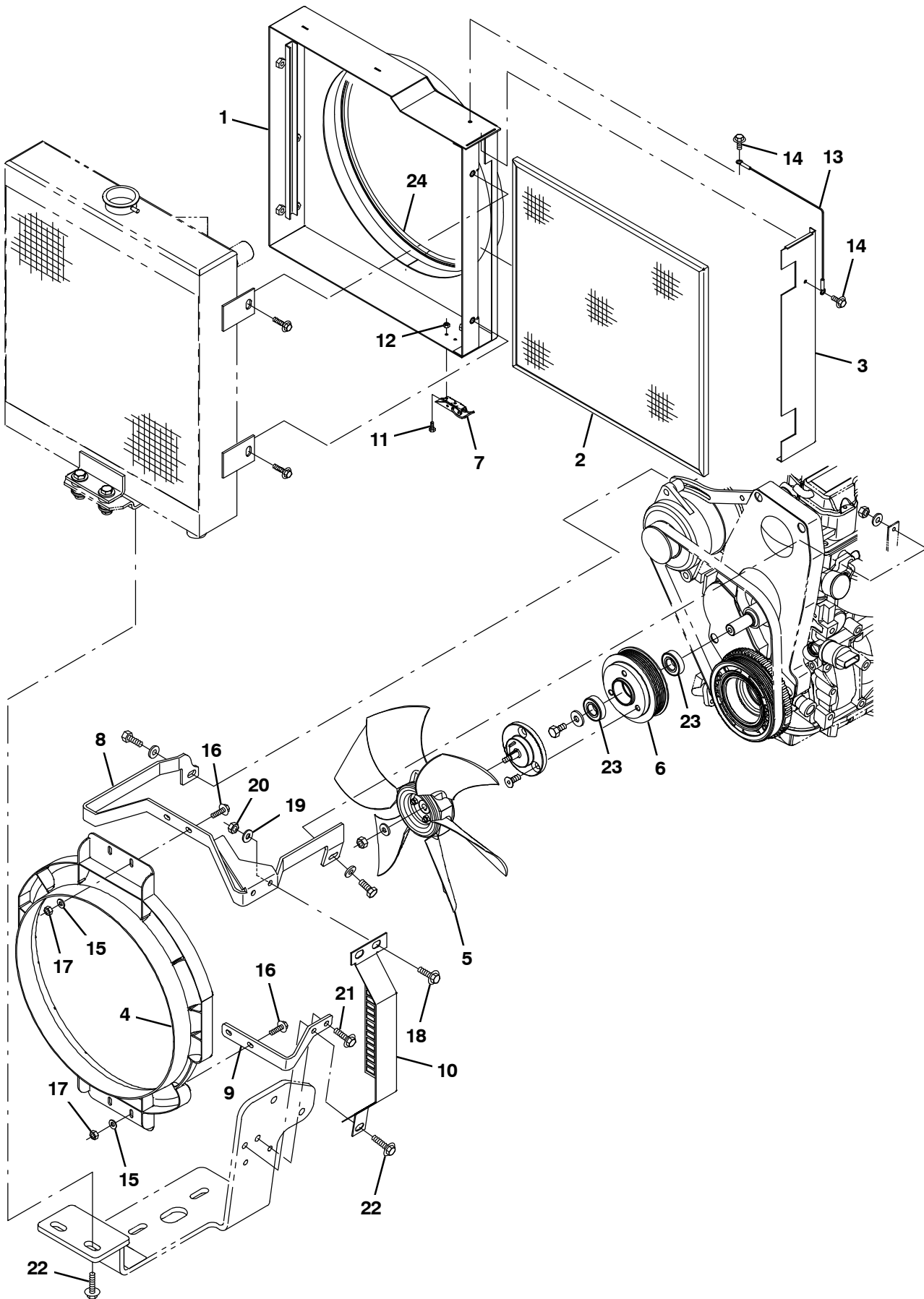
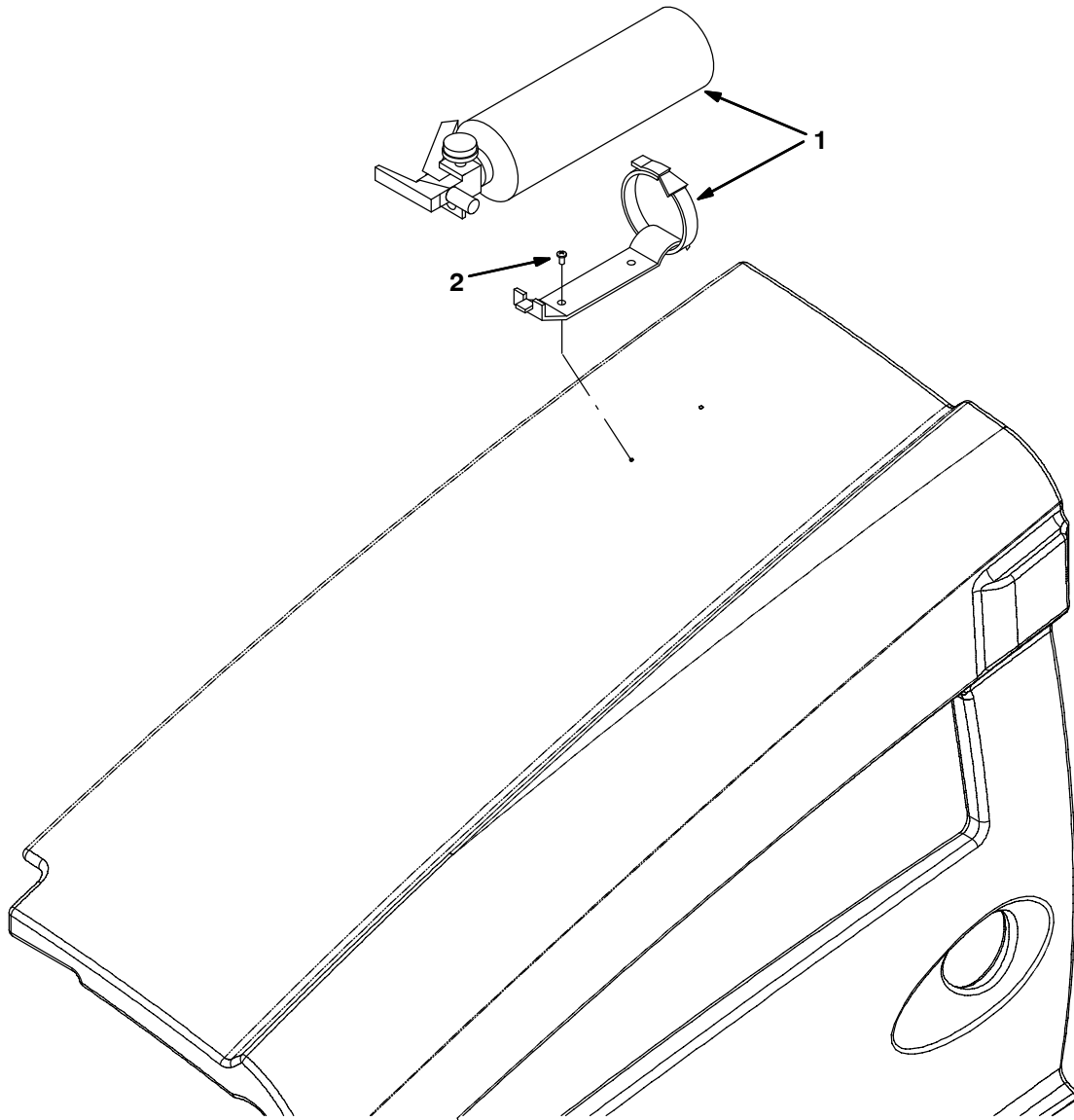


Fig. 47 – Engine Radiator Screen Kit (03039–005999)

Ref.	Part No.	Serial Number	Description	Qty.
▽	9010988	(002093–004999)) Rad Screen Kit, Replmt [M/T20,M30 G/Lp]	1
▲	1 1071041	(002093–004999)) Bracket Wldt, Radiator, Fan, Gas/Lpg	1
▲	2 1071033	(002093–004999)) Frame Wldt, Screen, Rad	1
▲	3 1071047	(002093–004999)) Plate, Cover, Screen	1
▲	4 1054428	(002093–004999)) Shroud, Fan	1
▲	5 1031566	(002093–004999)) Fan, Cooling, 14.1d, 6 Blade, 0.5b Taper	1
▲	6 1072505	(002093–004999)) Sheave, Mach [Gm1.6l 2615rpm Fan]	1
▲	7 1051534	(002093–004999)) Concept, Latch	1
▲	8 1058777	(002093–004999)) Bracket, Shrd, Fan, Upper, Sppt, Gas/Lpg	1
▲	9 1058753	(002093–004999)) Bracket, Shrd, Fan, Lower, Gas/Lpg	1
▲	10 1064443	(002093–004999)) Bracket, Shrd, Radiator, Gas/Lpg, Ce	1
▲	11 1020234	(002093–004999)) Screw, Hex, M4 X 0.70 X 10, Ss	2
▲	12 02850	(002093–004999)) Nut, Hex, Lock, M4 X 0.70, NI	2
▲	13 57702	(002093–004999)) Cable, Glv .06d 012.0l .26eye /.26eye	1
▲	14 361339	(002093–004999)) Screw, Hex, M6 X 1.00 X 16, Fmg	2
▲	15 32483	(002093–004999)) Washer, Flat, 0.25, Sae	6
▲	16 1036892	(002093–004999)) Screw, Hex, M6 X 1.00 X 25, 9.8, Sems	4
▲	17 08708	(002093–004999)) Nut, Hex, Lock, M6 X 1.00, NI	4
▲	18 1037346	(002093–004999)) Screw, Hex, M8 X 1.25 X 25, 9.8, Sems	2
▲	19 32491	(002093–004999)) Washer, Flat, 0.31, Std	2
▲	20 08709	(002093–004999)) Nut, Hex, Lock, M8 X 1.25, NI	2
▲	21 1037354	(002093–004999)) Screw, Hex, M8 X 1.25 X 30, 9.8, Sems	3
▲	22 1037355	(002093–004999)) Screw, Hex, M8 X 1.25 X 35, 9.8, Sems	1
▲	23 1055377	(002093–004999)) Bearing, Ball, 20mm B 42mm D 12mm W	2
▲	24 1048166	(002093–004999)) Seal, Afmkt, Bulb, Str, 0.58d 08ft	1

Fig. 48 – Fire Extinguisher Kit



354484

Ref.	Part No.	Serial Number	Description	Qty.
	9001316	(000000–) Extinguisher Kit, Fire, Ci [M20 And T20]	1
1	25312	(000000–) Extinguisher, Fire, 2.5 Lb Dry	1
2	382320	(000000–) Screw, Pan, #12–16 X 0.50, F/ Plstc	2

Fig. 49 – Documentation Group

Ref.	Part No.	Serial Number	Description	Qty.
	331470	(000000–)	Manual, Oprtr [T20 Gas/Lpg En]	1
	331472	(000000–)	Manual, Oprtr [T20 Gas/Lpg Es]	1
	331473	(000000–)	Manual, Oprtr [T20 Gas/Lpg Fr]	1
	331471	(000000–)	Manual, Parts [T20 Gas/Lpg En/Jp]	1
	331475	(000000–)	Manual, Service [T20 En]	1
	1035133	(000000–)	Video, Oprtr, Dvd [W/Checklist T20]	1
	372863	(000000–001499)	Manual, Service, Eng[Gm1.6l Em Cert]	1
	371790	(000000–001499)	Manual, Service, Eng [Gm1.6l]	1
	1037749	(000000–)	Instr, Maint, Wall Chart [T20]	1
	9003926	(001500–)	Manual, Eng, Cd–Rom [Tier II,GM1.6L]	1
	9006257	(000000–)	Media, Cd–Rom, Training [ec–H2O Tennant]	1
	9010635	(005000–)	Manual, Service, Cd–Rom [Mit2.0l]	1



To view, print, order, download the latest Parts manual, other language Operator manuals, and Use and Care Guides (wall charts), visit:

www.tennantco.com/manual

SECTION 4

Contents	Page
Fig. 1 – Extended Scrub Pump Breakdown, 1021210	4-2
Fig. 2 – Hydraulic Motor Breakdown, 379609 ...	4-4
Fig. 3 – Hydraulic Pump Breakdown, 1024251 .	4-6
Fig. 4 – Hydraulic Motor Breakdown, 71729	4-8
Fig. 5 – Hydraulic Motor Breakdown, 1029379 .	4-9
Fig. 6 – Hydraulic Motor Breakdown, 53485 ...	4-10
Fig. 7 – Hydraulic Motor Breakdown, 1024407	4-11
Fig. 8 – Hydraulic Valve Breakdown, 1018938 .	4-12
Fig. 9 – Hydraulic Valve Breakdown, 1020394 .	4-14
Fig. 10 – Hydraulic Valve Breakdown, 1037805 .	4-16
Fig. 11 – Hydraulic Valve Breakdown, 1072997 .	4-18
Fig. 12 – Hydraulic Valve Breakdown, 1072996 .	4-20
Fig. 13 – Hydraulic Steering Valve Breakdown, 1024260	4-22
Fig. 14 – Metering Solution Pump Breakdown, 73260	4-24
Fig. 15 – Water Pump Breakdown, 1026743 ...	4-25
Fig. 16 – ec-H2O Module Assembly Breakdown, 9007882	4-26
Fig. 17 – Seat Breakdown, 1072456	4-28
Fig. 18 – FaST Injector Assembly Breakdown, 9008868	4-30

Fig. 1 – Extended Scrub Pump Breakdown, 1021210

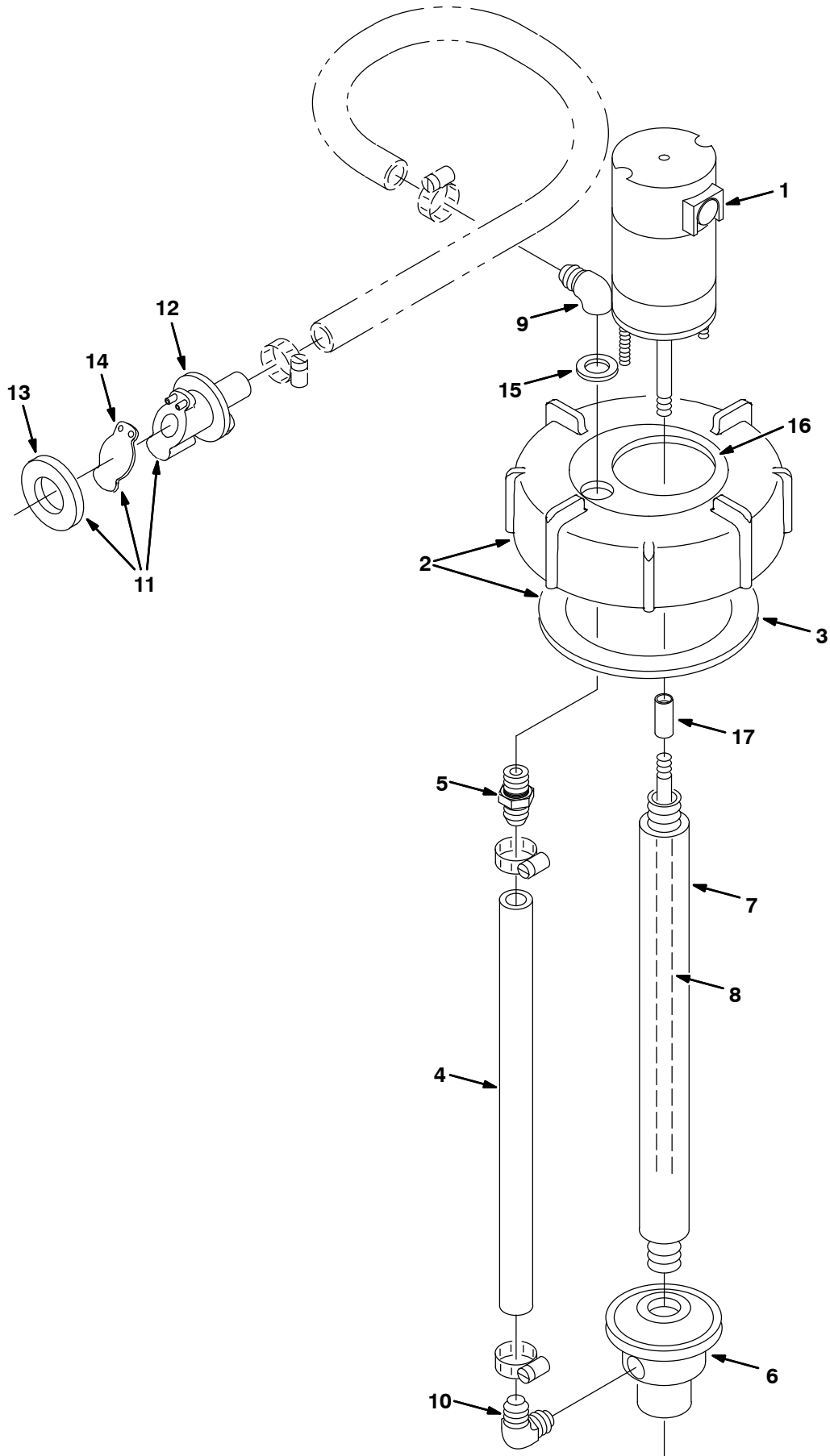


Fig. 1 - Extended Scrub Pump Breakdown, 1021210

	Ref.	Part No.	Serial Number	Description	Qty.
▽		1021210	(000000-) Pump Assy, Column, Es	1
▲▽	1	9002708	(000000-) Motor, Ele, 12vdc, Pump, Water	1
▲▲		78829	(000000-) Kit, Brush, Motor, Ele	1
▲▽	2	24358	(000000-) Cap Assy, Tank, Drain	1
▲▲	3	1031699	(000000-) Gasket, 4.05Id 5.29Od .19 [Buna]	1
▲	4	78833	(000000-) Tube, Vinyl, Pump, Water	1
▲	5	78398	(000000-) Fitting, Plstc, Str, Bm12/Pm08, Nyl	1
▲	6	78843	(000000-) Housing Kit, Pump, Water	1
▲	7	78836	(000000-) Column, Pump, Water	1
▲	8	9002709	(000000-) Shaft, Pump, Water	1
▲	9	78838	(000000-) Fitting, E, Gr	1
▲	10	78839	(000000-) Fitting, Plstc, E90, Pf Bm [Es Pump]	1
▲▽	11	78842	(000000-) Kit, Valve, Check, Pump, Water	1
▲▲	12	78840	(000000-) Valve, Check, Pump, Water	1
▲▲	13	73342	(000000-) Gasket, .25 1.88d 1.0Id [Poron]	1
▲▲	14	78841	(000000-) Flapper, Valve, Pump, Water	1
▲	15	78830	(000000-) Washer, Rbr	1
▲	16	22790	(000000-) Insert, Cap, Mount, Es Pump	1
▲	17	23285	(000000-) Sleeve, Pump, Water	1

Fig. 2 - Hydraulic Motor Breakdown, 379609

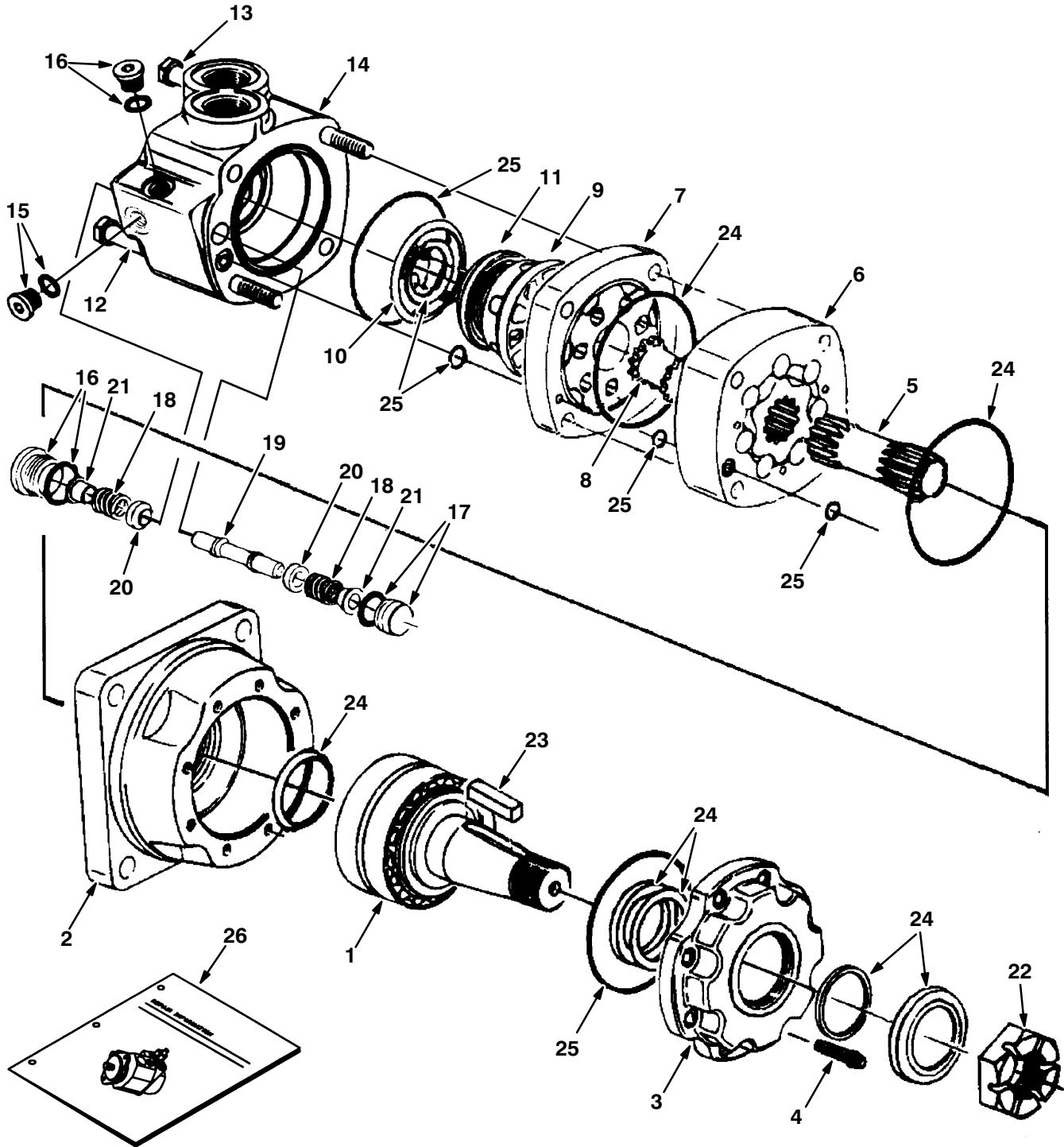


Fig. 2 – Hydraulic Motor Breakdown, 379609

	Ref.	Part No.	Serial Number	Description	Qty.
▽		379609	(000000-) Motor, Hyd, Gear, [Int], 19.0 X 3000	1
▲	1	74165	(000000-) Shaft, Motor, Hyd	1
▲	2	74166	(000000-) Housing, Brg, Motor, Hyd	1
▲	3	74167	(000000-) Retainer, Motor, Hyd	1
▲	4	74168	(000000-) Screw, Cap, Motor, Hyd	8
▲	5	37616	(000000-) Drive, Motor, Hyd	1
▲	6	37756	(000000-) Geroler, Motor, Hyd	1
▲	7	74122	(000000-) Plate, Valve, Motor, Hyd	1
▲	8	52405	(000000-) Valve, Motor, Hyd	1
▲	9	74123	(000000-) Valve, Motor, Hyd	1
▲	10	34178	(000000-) Spring, Motor, Hyd	2
▲	11	38968	(000000-) Ring, Motor, Hyd	1
▲	12	74125	(000000-) Bolt, Motor, Hyd	3
▲	13	38255	(000000-) Bolt, Motor, Hyd	1
▲	14	373297	(000000-) Housing, Valve	1
▲	15	373298	(000000-) Plug	1
▲	16	373260	(000000-) Plug, Pump, Hyd, Gear	2
▲	17	373299	(000000-) Plug	1
▲	18	373291	(000000-) Spring	2
▲	19	373217	(000000-) Piston, Pump, Hyd, Gear	1
▲	20	373226	(000000-) Poppet, Pump, Hyd, Gear	2
▲	21	373236	(000000-) Sleeve, Dashpo, Pump, Hyd, Gear	2
▲	22	45622	(000000-) Nut, Motor, Hyd	1
▲	23	45623	(000000-) Key, Motor, Hyd	1
▲	24	79828	(000000-) Kit, Seal, Motor, Hyd	1
▲	25	33580	(000000-) Kit, Seal, Motor, Hyd	1
	26	79729	(000000-) Instr, Repair, Motor, Hyd, Gear	1

Fig. 3 - Hydraulic Pump Breakdown, 1024251

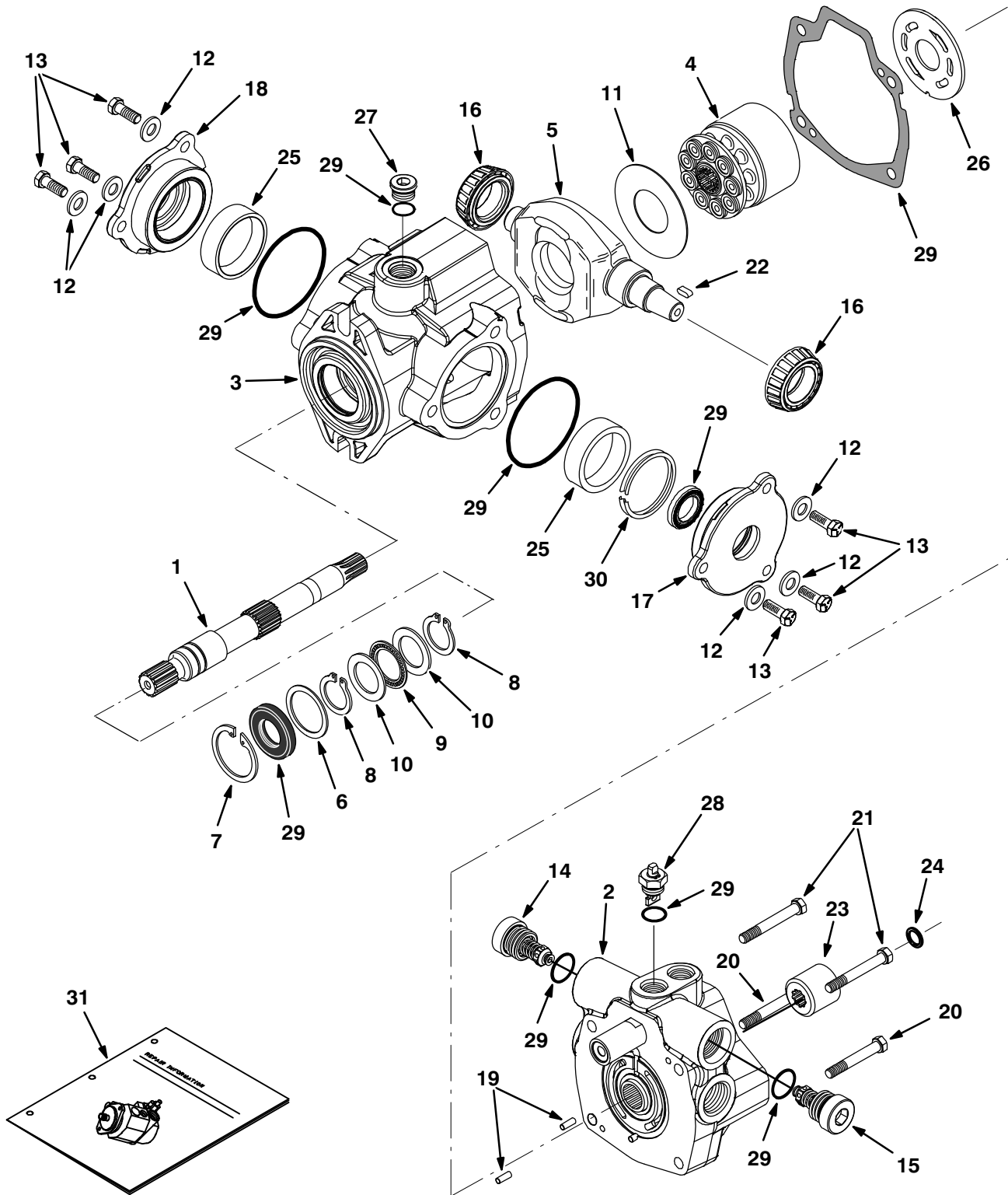
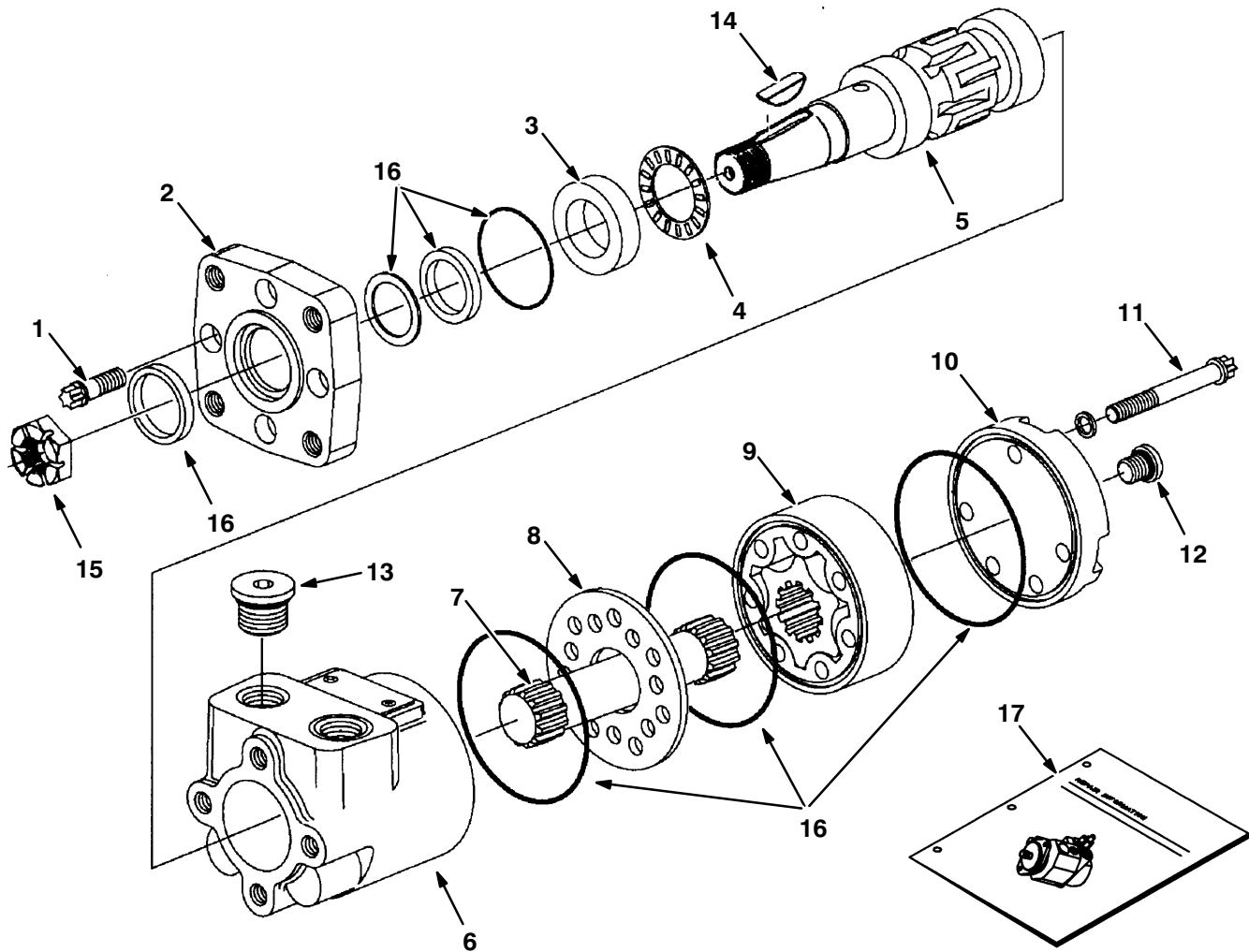


Fig. 3 – Hydraulic Pump Breakdown, 1024251

Ref.	Part No.	Serial Number	Description	Qty.	
▽	1024251	(000000–) Pump, Hyd, Piston, Var, 1.24 4000, Cw	1	
▲	1	373681	(000000–) Shaft, Pump	1
▲	2	373427	(000000–) Cover, End	1
▲	3	373389	(000000–) Housing	1
▲	4	02706	(000000–) Pump Kit, Hyd, Rotating [Cessna]	1
▲	5	373493	(000000–) Plate, Cam	1
▲	6	70096	(000000–) Washer, Flat, Pump, Hyd	1
▲	7	55926	(000000–) Ring, Retaining, Pump, Hyd	1
▲	8	373434	(000000–) Ring, Retaining	2
▲	9	74225	(000000–) Bearing, Thrust, Pump, Hyd	1
▲	10	74226	(000000–) Race, Brg, Pump, Hyd	2
▲	11	373327	(000000–) Insert, Plt, Cam, Pump, Hyd	1
▲	12	373391	(000000–) Washer, Pump, Hyd [En]	6
▲	13	373346	(000000–) Screw, Cap	6
▲	14	373494	(000000–) Valve, Relief, 4000 Psi	1
▲	15	373678	(000000–) Valve, Relief, 3000 Psi	1
▲	16	373317	(000000–) Bearing, Cone, Pump, Hyd	2
▲	17	373393	(000000–) Plate, Cover	1
▲	18	373394	(000000–) Plate, Cover	1
▲	19	70100	(000000–) Pin, Dowel, Pump, Hyd	2
▲	20	373347	(000000–) Screw, Cap	2
▲	21	373348	(000000–) Screw, Cap	2
▲	22	74237	(000000–) Key, Shaft, Pump, Hyd	1
▲	23	373679	(000000–) Coupler, Pump	1
▲	24	373680	(000000–) Ring, Lock	1
▲	25	373395	(000000–) Bearing, Cup	2
▲	26	74180	(000000–) Plate, Valve, Pump, Hyd	1
▲	27	13907	(000000–) Fitting, Hyd, Plug, Om08	1
▲	28	373413	(000000–) Actuator, Valve, By-Pass [En]	1
▲	29	373398	(000000–) Seal Kit, Pump, Hyd	1
▲	30	373402	(000000–) Shim Kit	1
	31	373429	(000000–) Instr, Repair, Pump	1

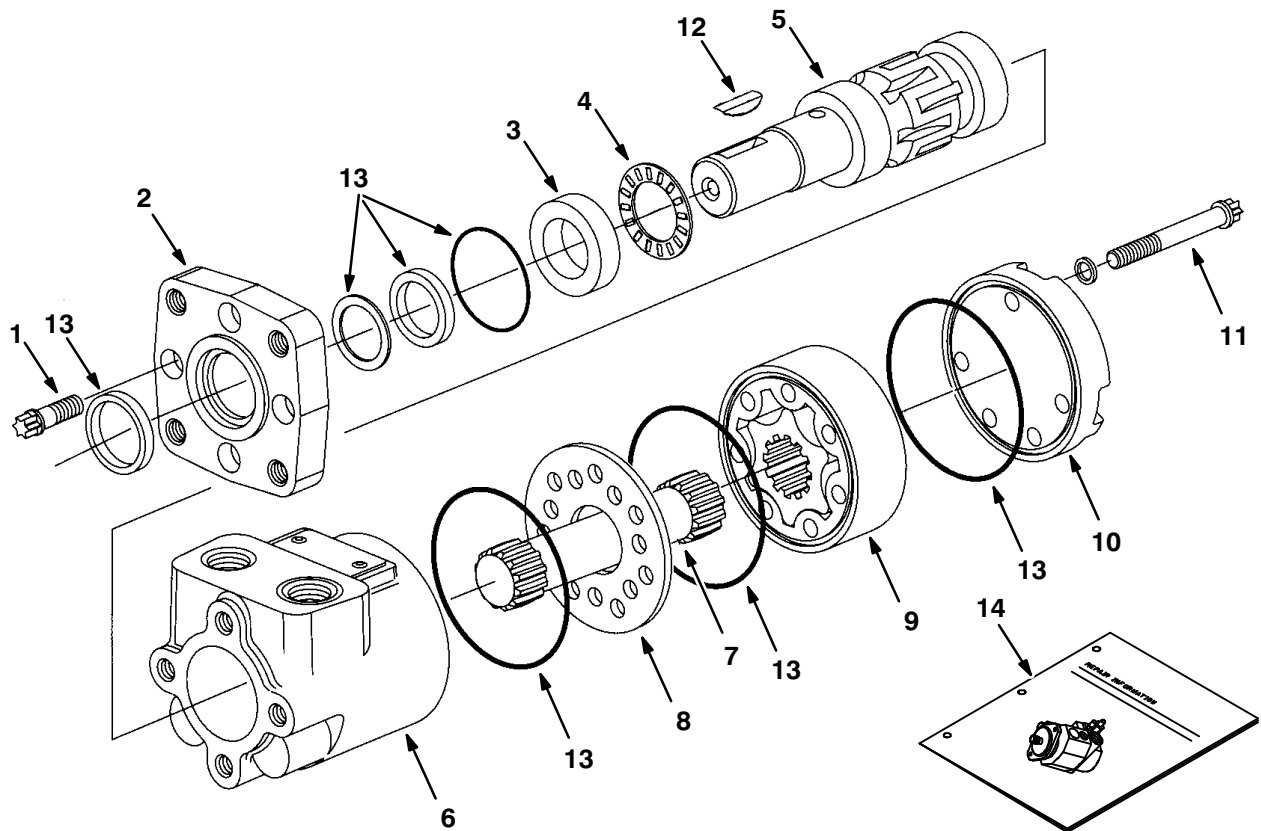
Fig. 4 – Hydraulic Motor Breakdown, 71729



09606-09670 – ALL

Ref.	Part No.	Serial Number	Description	Qty.
▽	71729	(000000-)	Motor, Hyd Gear In 4.5 B 1500	1
▲	1	37555	(000000-) Screw	4
▲	2	31354	(000000-) Flange Mounting	1
▲	3	16695	(000000-) Race Thrust	1
▲	4	45628	(000000-) Thrust Bearing	1
▲	5	31375	(000000-) Shaft, Output	1
▲	6	74100	(000000-) Housingl	1
▲	7	31379	(000000-) Drive	1
▲	8	74094	(000000-) Spacer Plate	1
▲	9	31383	(000000-) Gerotor Set	1
▲	10	74095	(000000-) End Cap	1
▲	11	65241	(000000-) Cap Screw	5
▲	12	74098	(000000-) Plug #4	1
▲	13	74099	(000000-) Plug #10	2
▲	14	00500-15	(000000-) Key-Wdruff 0.25 1.00	1
▲	15	39527	(000000-) Nut-Hxslot .75-16 Pltd	1
▲	16	61490	(000000-) Seal Replmt Kit	1
▲	17	74250	(000000-) Instr. Repair Info, Motor	1

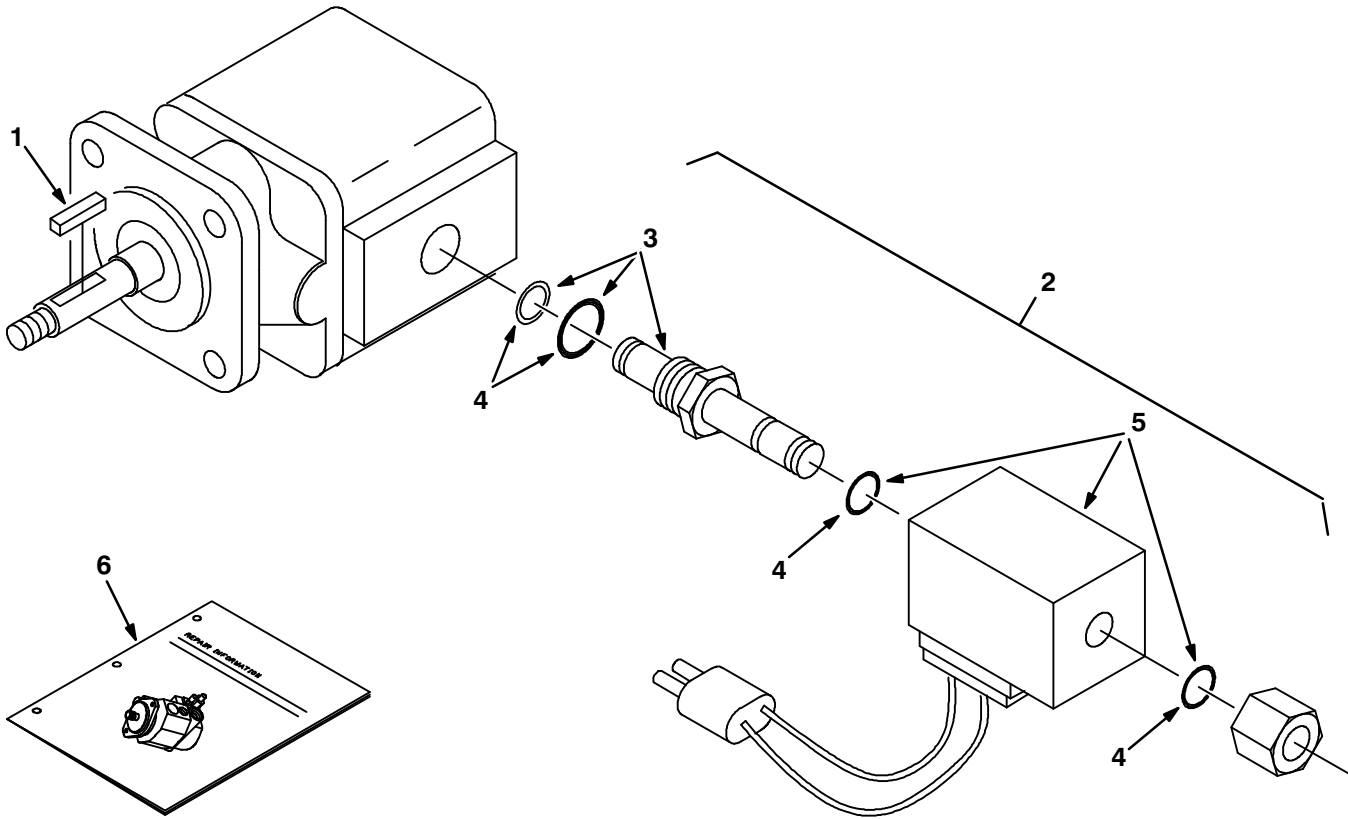
Fig. 5 - Hydraulic Motor Breakdown, 1029379



10859-09670 - ALL

Ref.	Part No.	Serial Number	Description	Qty.	
▽	1029379	(000000-) Motor, Hyd, Gear, Int 08.9 Bi-Dir 2500	1	
▲	1	37555	(000000-) Screw, Motor, Hyd [En]	4
▲	2	31354	(000000-) Flange, Motor, Hyd [En]	1
▲	3	16695	(000000-) Ace, Thrust, Motor, Hyd [En]	1
▲	4	45628	(000000-) Bearing, Thrust	1
▲	5	28854	(000000-) Shaft, Output, Motor, Hyd [En]	1
▲	6	74100	(000000-) Housing, Motor, Hyd [En]	1
▲	7	21955	(000000-) Drive [CI]	1
▲	8	74094	(000000-) Plate, Spacer, Motor, Hyd [En]	1
▲	9	21956	(000000-) Gerotor Set [CI]	1
▲	10	65230	(000000-) End Cap, Motor, Hyd [En]	1
▲	11	21958	(000000-) Cap Screw CI	5
▲	12	00500-15	(000000-) Key, Woodruff, 0.25 1.00 [Asa#0808]	1
▲	13	61490	(000000-) Seal Kit, Motor [CI]	1
▲	14	74250	(000000-) Instr, Motor, Hyd, Repair [En]	1

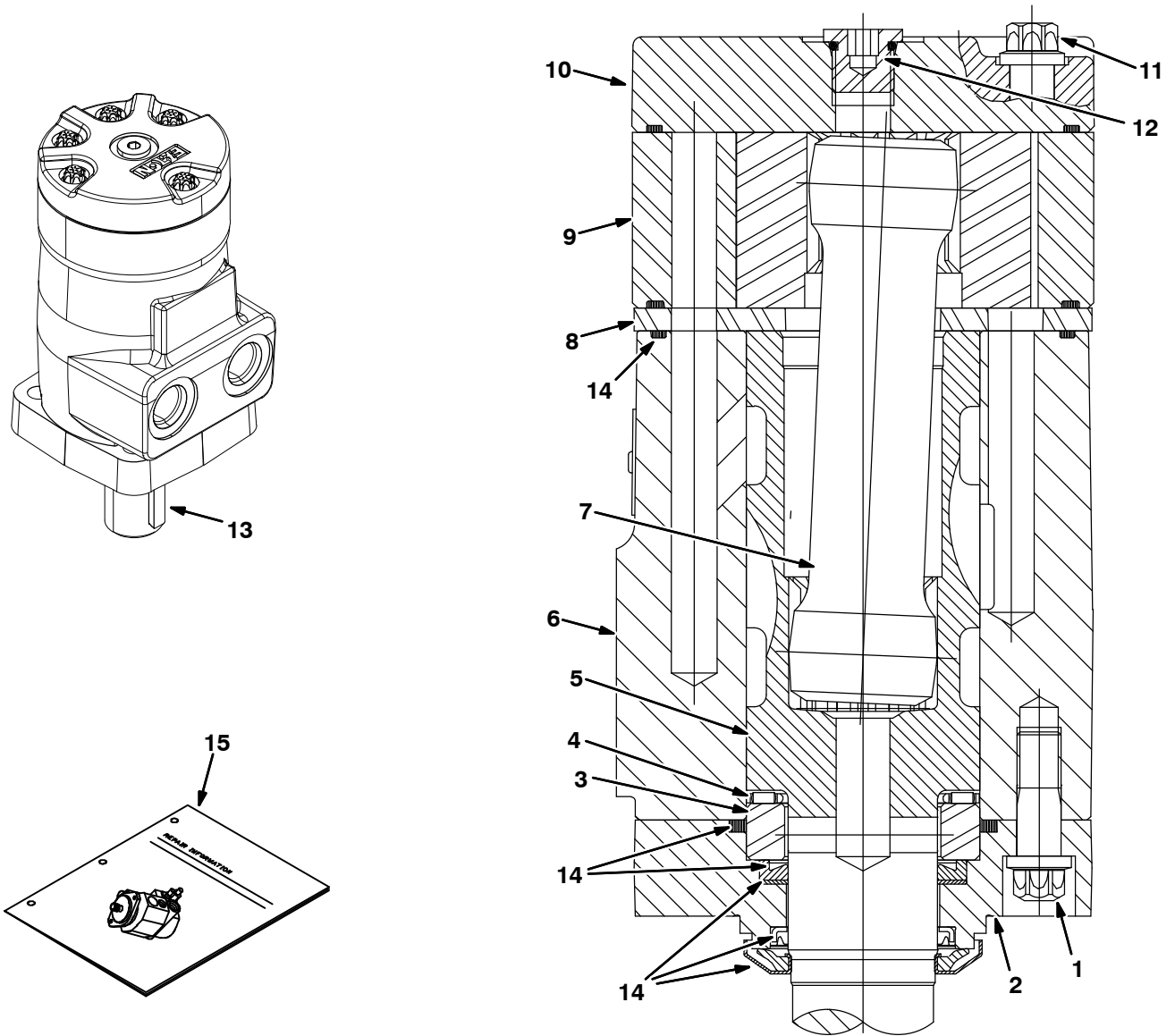
Fig. 6 – Hydraulic Motor Breakdown, 53485



07490 – 09670

Ref.	Part No.	Serial Number	Description	Qty.
▽	53485	(000000–) Motor, Hyd, Gear, Ext 0.19 Rh 3000	1
▲	74233	(000000–) Kit, Seal, Motor, Hyd, Gear[Barns]	1
▲	1 00966	(000000–) Key, Sq, 0.12 X 0.12, 0.75l	1
▲▽	2 54095	(000000–) Valve, Hyd Cartridge 10no/–0	1
▲▲	3 59378	(000000–) Valve Stem, N.O.Valve, Hyd	1
▲▲	4 48813	(000000–) Kit, Seal, Valve, Hyd [Cec]	1
▲▲	5 35493	(000000–) Solenoid, 12v, Valve, Hyd [Cec]	1
	6 IB3614	(000000–) Instr, Seal Kit, Motor	1

Fig. 7 – Hydraulic Motor Breakdown, 1024407



Ref.	Part No.	Serial Number	Description	Qty.
▽	1024407	(000000-)) Motor, Hyd, Gear, Int 09.7 Bi-Dir 2500	1
▲	1	37555	(000000-) Screw, Motor, Hyd [En]	4
▲	2	22609	(000000-) Flange	1
▲	3	16695	(000000-) Ace, Thrust, Motor, Hyd [En]	1
▲	4	45628	(000000-) Bearing, Thrust	1
▲	5	22614	(000000-) Shaft, Output, Motor, Hyd	1
▲	6	373674	(000000-) Housing, Motor, Hyd [En]	1
▲	7	31376	(000000-) Drive	1
▲	8	74094	(000000-) Plate, Spacer, Motor, Hyd [En]	1
▲	9	38263	(000000-) Gerotor, Motor, Hyd	1
▲	10	74101	(000000-) End Cap, Motor, Hyd [En]	1
▲	11	21960	(000000-) Screw, Cap, Motor, Hyd	5
▲	12	74098	(000000-) Fitting, Hyd, Plug, Om04	1
▲	13	00500-15	(000000-) Key, Woodruff, 0.25 1.00 [Asa#0808]	1
▲	14	22615	(000000-) Seal Kit, Motor [CI]	1
▲	15	74250	(000000-) Instr, Motor, Hyd, Repair [En]	1

Fig. 8 - Hydraulic Valve Breakdown, 1018938

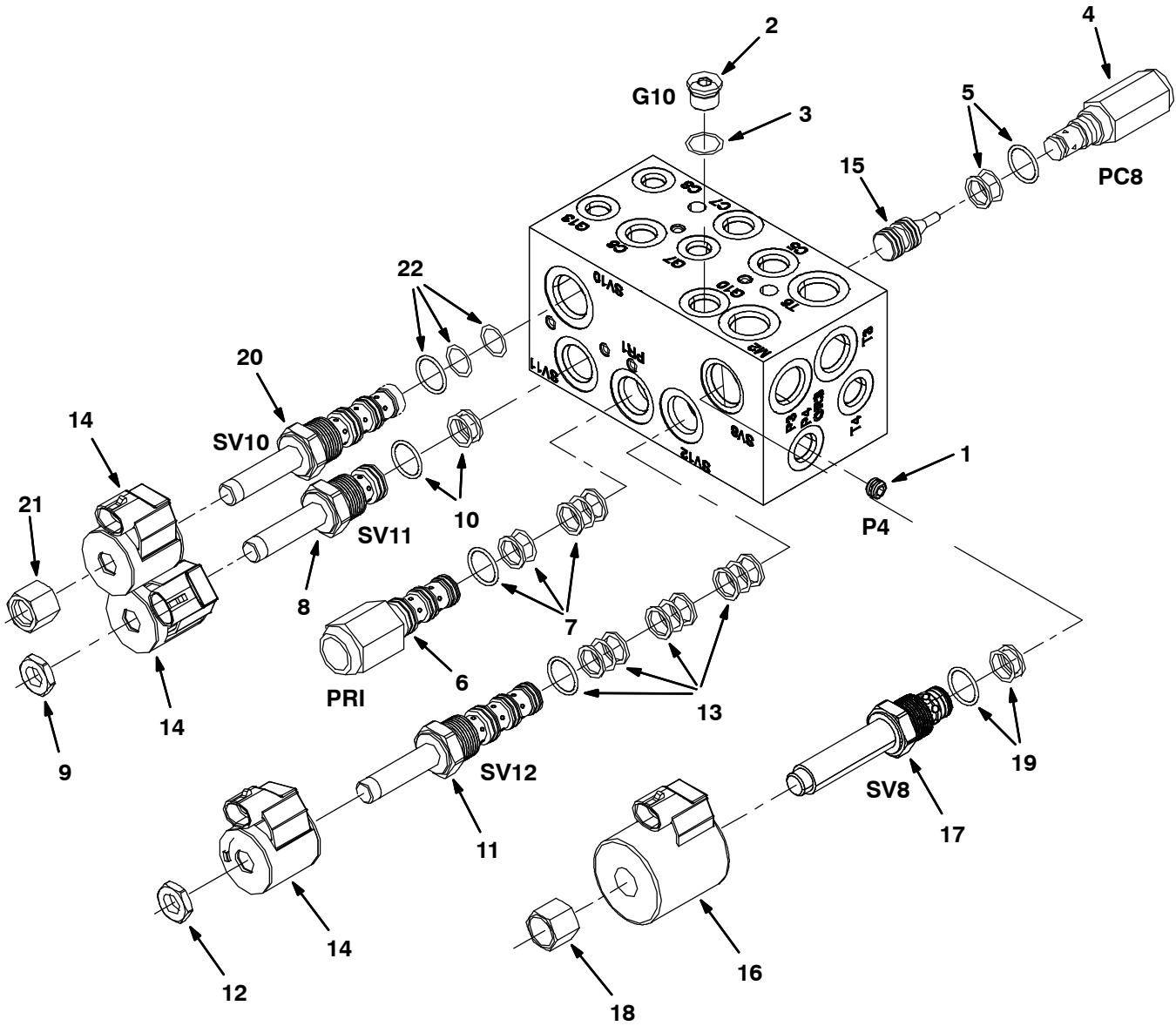


Fig. 8 - Hydraulic Valve Breakdown, 1018938

Ref.	Part No.	Serial Number	Description	Qty.
▽	1018938	(000000-) Valve, Cntrl, Hyd [M20 And T20] (Repaced by 1037805)	1
▲	1 373633	(000000-) Plug, Orifice, Valve, Hyd, .040	1
▲▽	2 13904	(000000-) Fitting, Plug, Org, #6, Valve [Cec]	1
▲▲	3 77005	(000000-) Seal, Org, .078 X 00.47id #06	1
▲▽	4 373656	(000000-) Valve, Check	1
▲▲	5 373647	(000000-) Seal Kit, Cartridge	1
▲▽	6 373661	(000000-) Valve, Relief	1
▲▲	7 373647	(000000-) Seal Kit, Cartridge	1
▲▽	8 373662	(000000-) Stem, Valve, Hyd	1
▲▲	9 373648	(000000-) Nut, Coil, F/#8	1
▲▲	10 373647	(000000-) Seal Kit, Cartridge	1
▲▽	11 373657	(000000-) Stem, Valve, Hyd, 4w2p	1
▲▲	12 373648	(000000-) Nut, Coil, F/#8	1
▲▲	13 373647	(000000-) Seal Kit, Cartridge	1
▲	14 373640	(000000-) Solenoid, #8, 12vdc	3
▲	15 373658	(000000-) Spool, Pilot, Hyd	1
▲	16 373642	(000000-) Solenoid, #10, 12vdc	1
▲▽	17 373663	(000000-) Valve, Stem, No	1
▲▲	18 373670	(000000-) Nut, Solenoid	1
▲▲	19 373646	(000000-) Seal Kit, Cartridge	1
▲▽	20 373664	(000000-) Cartridge, Psi Cntrl, Valve, Hyd	1
▲▲	21 373673	(000000-) Nut, Solenoid	1
▲▲	22 373672	(000000-) Seal Kit, Cartridge	1

Fig. 9 - Hydraulic Valve Breakdown, 1020394

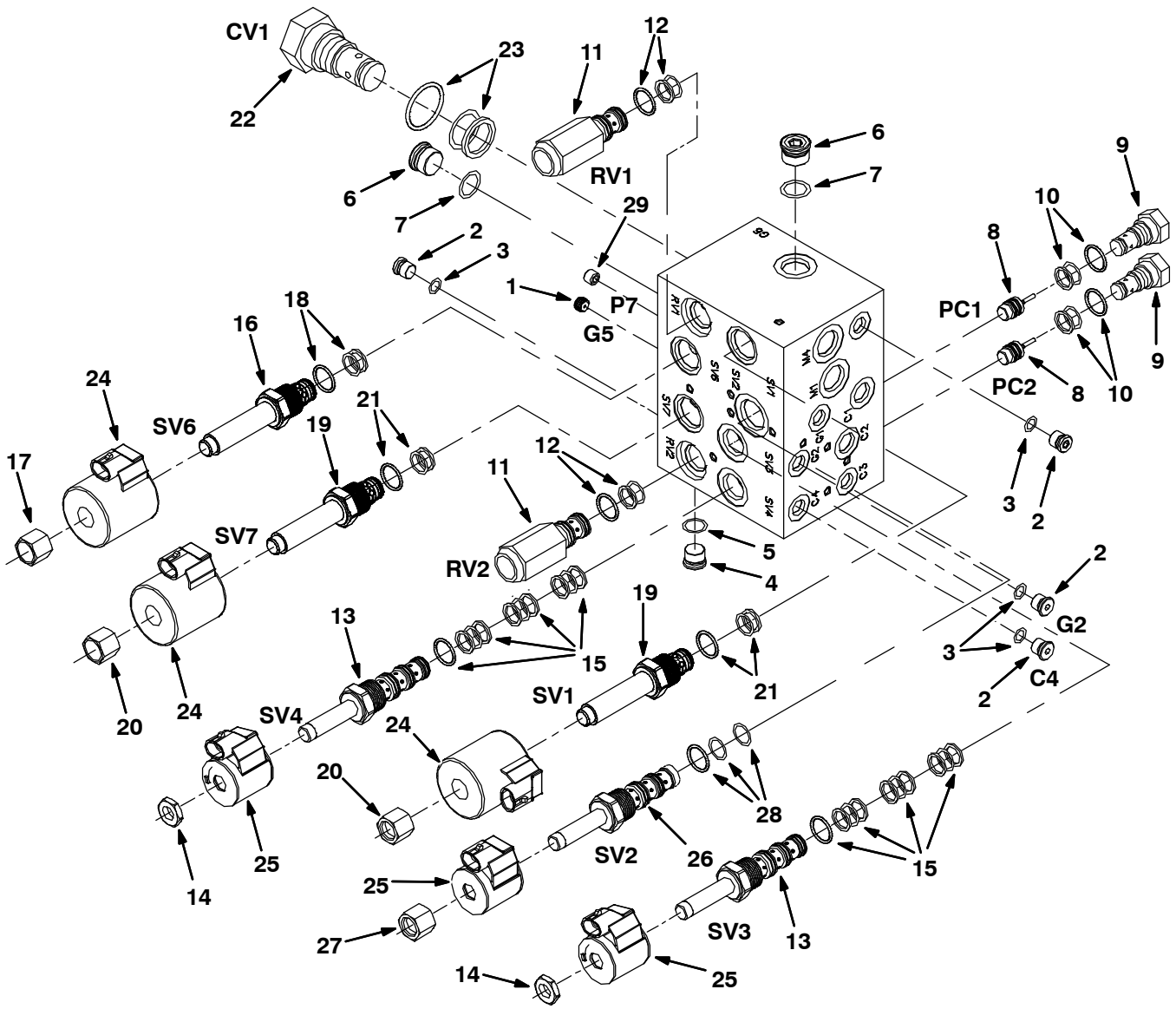


Fig. 9 – Hydraulic Valve Breakdown, 1020394

Ref.	Part No.	Serial Number	Description	Qty.
▽	1020394	(000000–) Valve, Cntrl, Hyd	1
▲	1 373665	(000000–) Plug, Orifice, Valve, Hyd, .046	1
▲▽	2 74098	(000000–) Fitting, Hyd, Plug, Om04	4
▲▲	3 77003	(000000–) Seal, Org, .072 X 00.35id #04	1
▲▽	4 13904	(000000–) Fitting, Plug, Org, #6, Valve [Cec]	1
▲▲	5 77005	(000000–) Seal, Org, .078 X 00.47id #06	1
▲▽	6 13907	(000000–) Fitting, Hyd, Plug, Om08	2
▲▲	7 77006	(000000–) Seal, Org, .087 X 00.64id #08	2
▲	8 373658	(000000–) Spool, Pilot, Hyd	2
▲▽	9 373631	(000000–) Valve, Check	2
▲▲	10 373647	(000000–) Seal Kit, Cartridge	1
▲▽	11 373666	(000000–) Valve, Relief	2
▲▲	12 373647	(000000–) Seal Kit, Cartridge	1
▲▽	13 373657	(000000–) Stem, Valve, Hyd, 4w2p	2
▲▲	14 373648	(000000–) Nut, Coil, F/#8	1
▲▲	15 373647	(000000–) Seal Kit, Cartridge	1
▲▽	16 373667	(000000–) Stem, Valve, Hyd	1
▲▲	17 373648	(000000–) Nut, Coil, F/#8	1
▲▲	18 373646	(000000–) Seal Kit, Cartridge	1
▲▽	19 373663	(000000–) Valve, Stem, No	2
▲▲	20 373670	(000000–) Nut, Solenoid	1
▲▲	21 373646	(000000–) Seal Kit, Cartridge	1
▲▽	22 373668	(000000–) Valve, Check	1
▲▲	23 373671	(000000–) Seal Kit, Cartridge	1
▲	24 373642	(000000–) Solenoid, #10, 12vdc	3
▲	25 373640	(000000–) Solenoid, #8, 12vdc	3
▲▽	26 373664	(000000–) Cartridge, Psi Cntrl, Valve, Hyd	1
▲▲	27 373673	(000000–) Nut, Solenoid	1
▲▲	28 373672	(000000–) Seal Kit, Cartridge	1
▲	29 373669	(000000–) Plug, Orifice, Valve, Hyd, .063	1

Fig. 10 – Hydraulic Valve Breakdown, 1037805

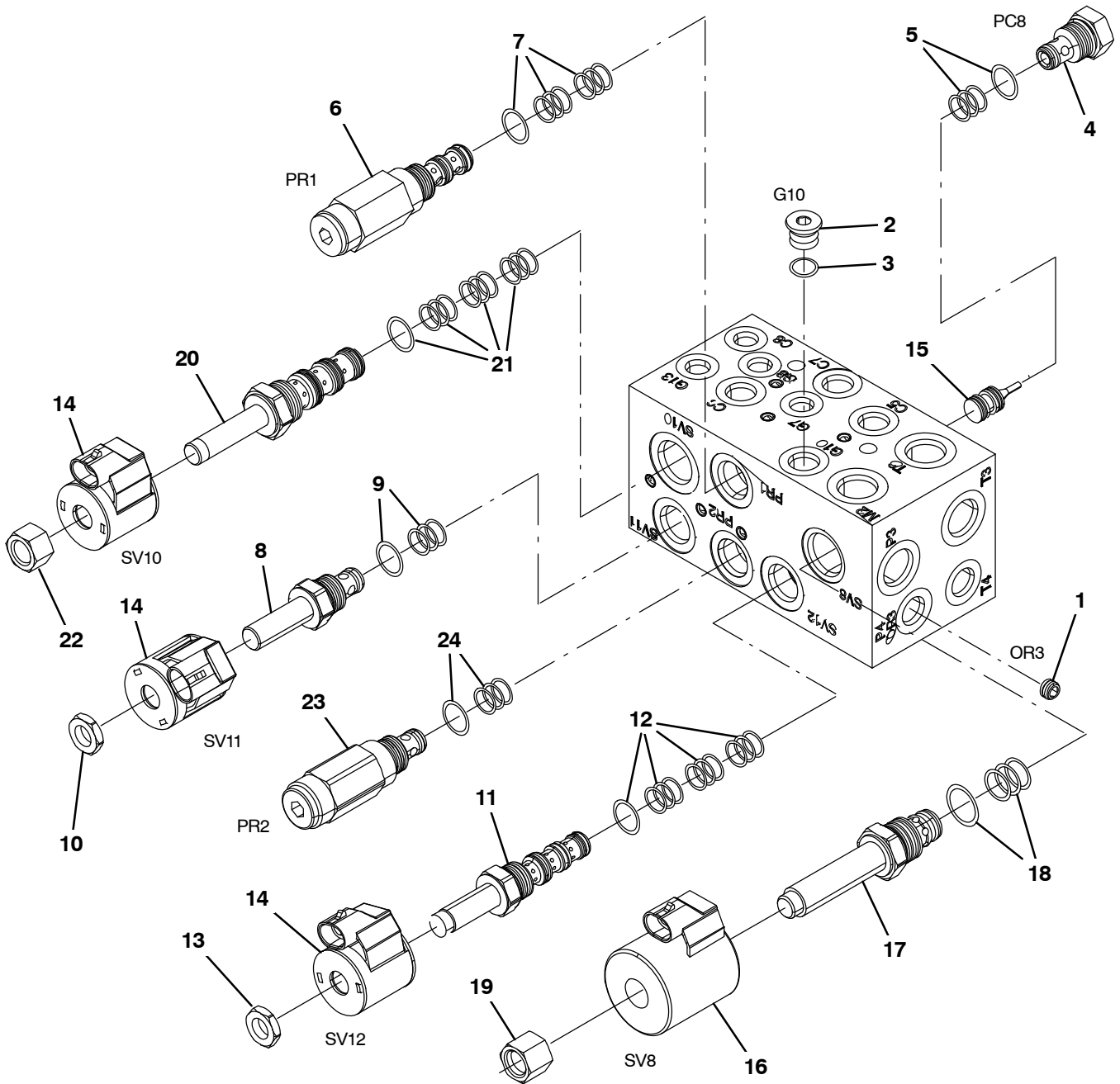


Fig. 10 - Hydraulic Valve Breakdown, 1037805

Ref.	Part No.	Serial Number	Description	Qty.
▽	1037805	(000000-) Valve, Cntrl, Hyd, Solenoid, 03/16gpm	1
▲	1 373633	(000000-) Plug, Orifice, Valve, Hyd, .040	1
▲▽	2 13904	(000000-) Fitting, Plug, Org, #6, Valve [Cec]	1
▲▲	3 77005	(000000-) Seal, Org, .078 X 00.47id 06	1
▲▽	4 373656	(000000-) Valve, Check	1
▲▲	5 373647	(000000-) Seal Kit, Cartridge	1
▲▽	6 373661	(000000-) Valve, Relief	1
▲▲	7 373647	(000000-) Seal Kit, Cartridge	1
▲▽	8 373662	(000000-) Stem, Valve, Hyd	1
▲▲	9 373647	(000000-) Seal Kit, Cartridge	1
▲▲	10 373648	(000000-) Nut, Coil, Nyl Patch	1
▲▽	11 373657	(000000-) Stem, Valve, Hyd [4w2p]	1
▲▲	12 373647	(000000-) Seal Kit, Cartridge	1
▲▲	13 373648	(000000-) Nut, Coil, F/#8	1
▲	14 373640	(000000-) Solenoid, #8, 12vdc	3
▲	15 373658	(000000-) Spool, Pilot, Hyd	1
▲	16 373642	(000000-) Solenoid, #10, 12vdc	1
▲▽	17 373663	(000000-) Valve, Stem, No	1
▲▲	18 373646	(000000-) Seal Kit, Cartridge	1
▲▲	19 373670	(000000-) Nut, Solenoid	1
▲▽	20 373664	(000000-) Cartridge, Psi Cntrl, Valve, Hyd	1
▲▲	21 373672	(000000-) Seal Kit, Cartridge	1
▲▲	22 373673	(000000-) Nut, Solenoid	1
▲▽	23 373683	(000000-) Valve, Relief	1
▲▲	24 373647	(000000-) Seal Kit, Cartridge	1

Fig. 11 – Hydraulic Valve Breakdown, 1072997

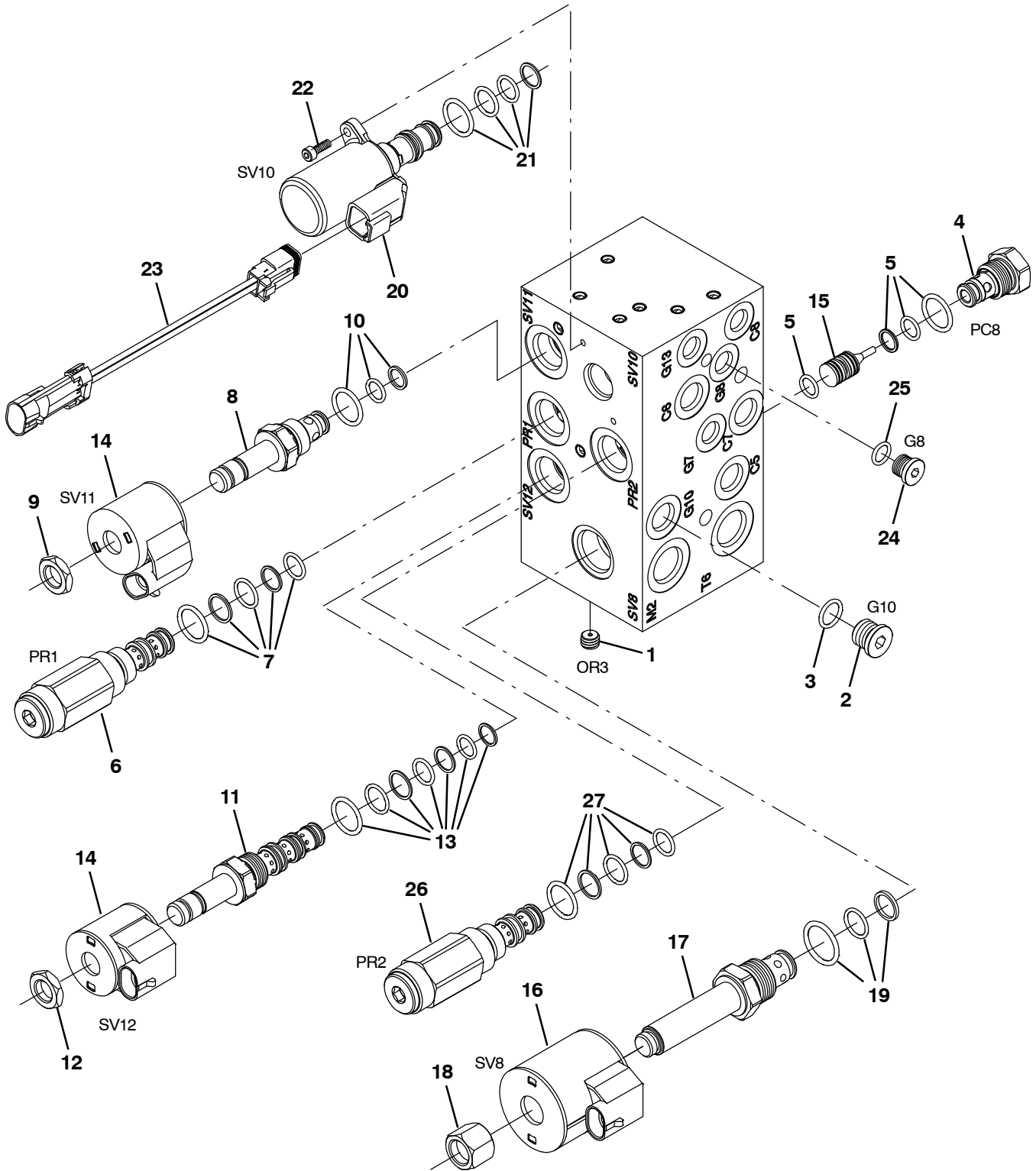


Fig. 11 - Hydraulic Valve Breakdown, 1072997

Ref.	Part No.	Serial Number	Description	Qty.
▽	1072997	(000000-) Valve, Cntrl, Hyd, Solenoid, 03/16gpm	1
▲	1 373633	(000000-) Plug, Orifice, Valve, Hyd, .040	1
▲▽	2 13904	(000000-) Fitting, Plug, Org, #6, Valve [Cec]	1
▲▲	3 77005	(000000-) Seal, Org, .078 X 00.47id 06	1
▲▽	4 373656	(000000-) Valve, Check	1
▲▲	5 373647	(000000-) Seal Kit, Cartridge	1
▲▽	6 373661	(000000-) Valve, Relief	1
▲▲	7 373647	(000000-) Seal Kit, Cartridge	1
▲▽	8 373662	(000000-) Stem, Valve, Hyd	1
▲▲	9 373648	(000000-) Nut, Coil, Nyl Patch	1
▲▲	10 373647	(000000-) Seal Kit, Cartridge	1
▲▽	11 373657	(000000-) Stem, Valve, Hyd [4w2p]	1
▲▲	12 373648	(000000-) Nut, Coil, F/#8	1
▲▲	13 373647	(000000-) Seal Kit, Cartridge	1
▲	14 373640	(000000-) Solenoid, #8, 12vdc	3
▲	15 373658	(000000-) Spool, Pilot, Hyd	1
▲	16 373642	(000000-) Solenoid, #10, 12vdc	1
▲▽	17 373663	(000000-) Valve, Stem, No	1
▲▲	18 373670	(000000-) Nut, Solenoid	1
▲▲	19 373646	(000000-) Seal Kit, Cartridge	1
▲▽	20 9011347	(000000-) Valve Assy [Proportional]	1
▲▲	21 9011343	(000000-) Seal Kit, Valve [Ehpr98]	1
▲▲	22 9011345	(000000-) Screw, Mtg [Ehpr98]	2
▲▲	23 9011346	(000000-) Harness, Jumper [Deutsch To Mpack]	1
▲▽	24 13904	(000000-) Fitting, Plug, Org, #6, Valve [Cec]	1
▲▲	25 77005	(000000-) Seal, Org, .078 X 00.47id 06	1
▲▽	26 373683	(000000-) Valve, Relief	1
▲▲	27 373647	(000000-) Seal Kit, Cartridge	1

Fig. 12 – Hydraulic Valve Breakdown, 1072996

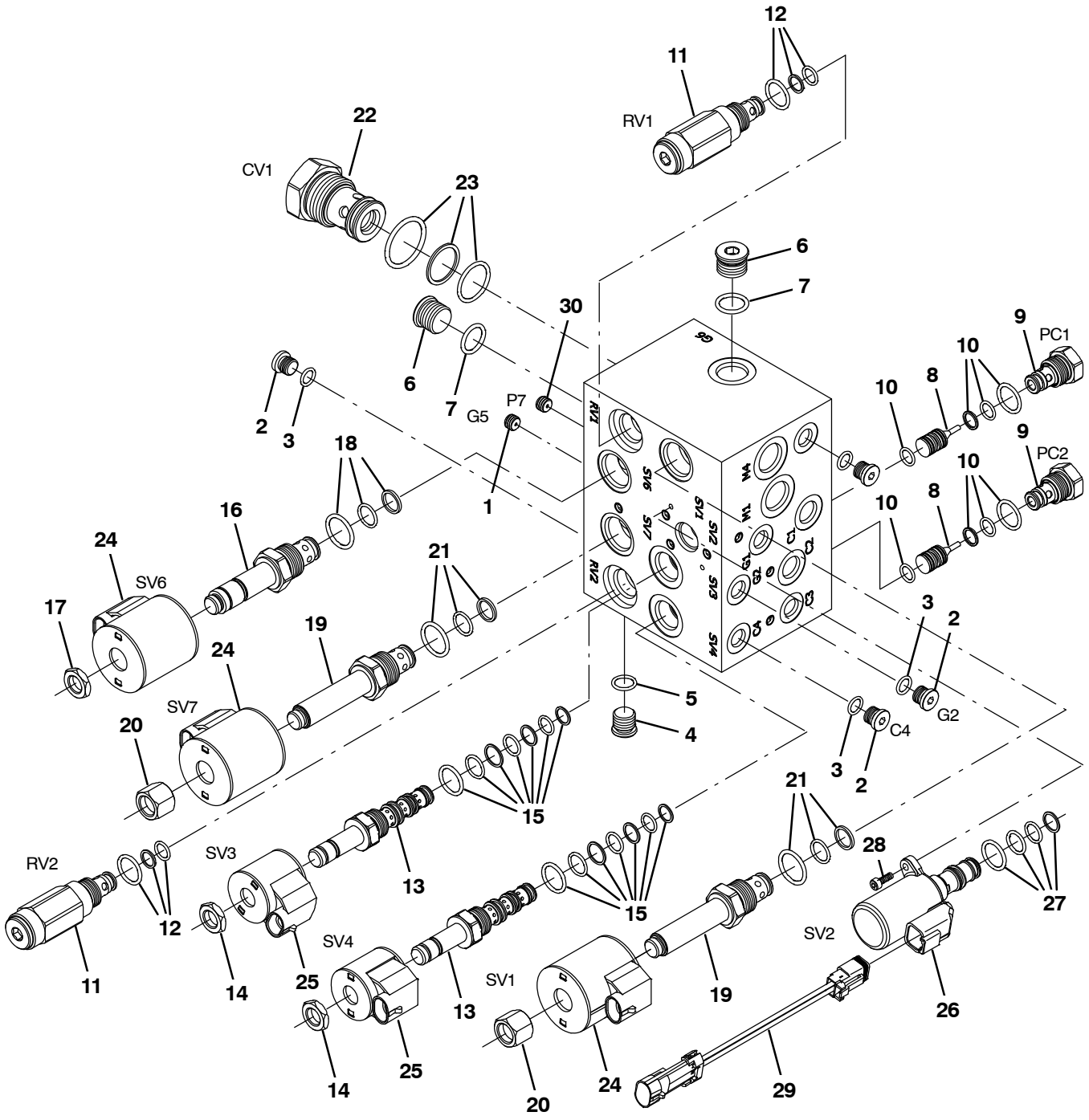


Fig. 12 - Hydraulic Valve Breakdown, 1072996

	Ref.	Part No.	Serial Number	Description	Qty.
▽		1072996	(000000-) Valve, Cntrl, Hyd, Solenoid, 12vdc 08gpm	1
▲	1	373665	(000000-) Plug, Orifice, Valve, Hyd, .046	1
▲▽	2	74098	(000000-) Fitting, Hyd, Plug, Om04	4
▲▲	3	77003	(000000-) Seal, Org, .072 X 00.35id #04	1
▲▽	4	13904	(000000-) Fitting, Plug, Org, #6, Valve [Cec]	1
▲▲	5	77005	(000000-) Seal, Org, .078 X 00.47id #06	1
▲▽	6	13907	(000000-) Fitting, Hyd, Plug, Om08	2
▲▲	7	77006	(000000-) Seal, Org, .087 X 00.64id #08	2
▲	8	373658	(000000-) Spool, Pilot, Hyd	2
▲▽	9	373631	(000000-) Valve, Check	2
▲▲	10	373647	(000000-) Seal Kit, Cartridge	1
▲▽	11	373666	(000000-) Valve, Relief	2
▲▲	12	373647	(000000-) Seal Kit, Cartridge	1
▲▽	13	373657	(000000-) Stem, Valve, Hyd, 4w2p	2
▲▲	14	373648	(000000-) Nut, Coil, F/#8	1
▲▲	15	373647	(000000-) Seal Kit, Cartridge	1
▲▽	16	373667	(000000-) Stem, Valve, Hyd	1
▲▲	17	373648	(000000-) Nut, Coil, F/#8	1
▲▲	18	373646	(000000-) Seal Kit, Cartridge	1
▲▽	19	373663	(000000-) Valve, Stem, No	2
▲▲	20	373670	(000000-) Nut, Solenoid	1
▲▲	21	373646	(000000-) Seal Kit, Cartridge	1
▲▽	22	373668	(000000-) Valve, Check	1
▲▲	23	373671	(000000-) Seal Kit, Cartridge	1
▲	24	373642	(000000-) Solenoid, #10, 12vdc	3
▲	25	373640	(000000-) Solenoid, #8, 12vdc	2
▲▽	26	9011347	(000000-) Valve Assy [Proportional]	1
▲▲	27	9011343	(000000-) Seal Kit, Valve [Ehpr98]	1
▲▲	28	9011345	(000000-) Screw, Mtg [Ehpr98]	2
▲▲	29	9011346	(000000-) Harness, Jumper [Deutsch To Mpack]	1
▲	30	373669	(000000-) Plug, Orifice, Valve, Hyd, .063	1

Fig. 13 – Hydraulic Steering Valve Breakdown, 1024260

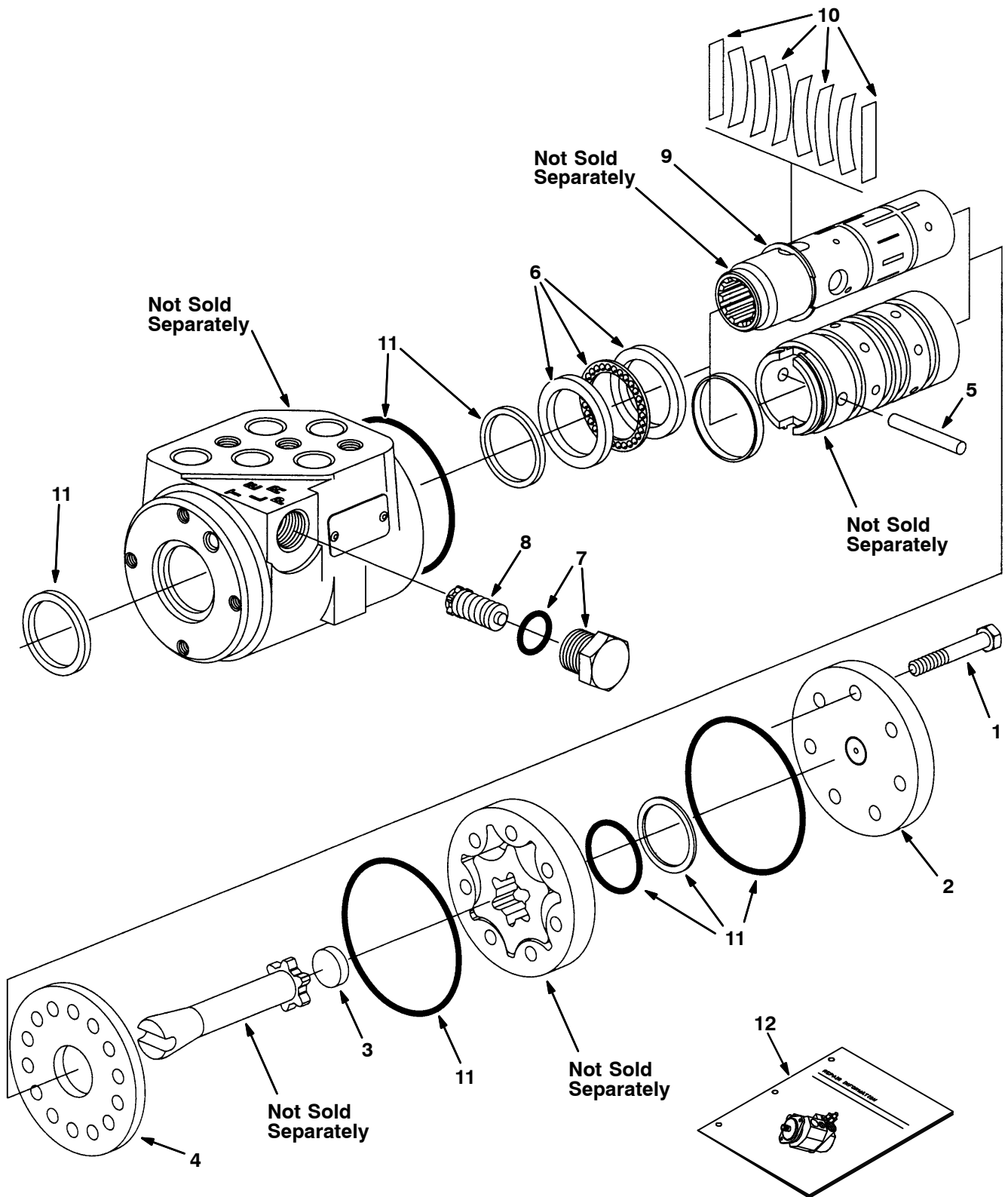
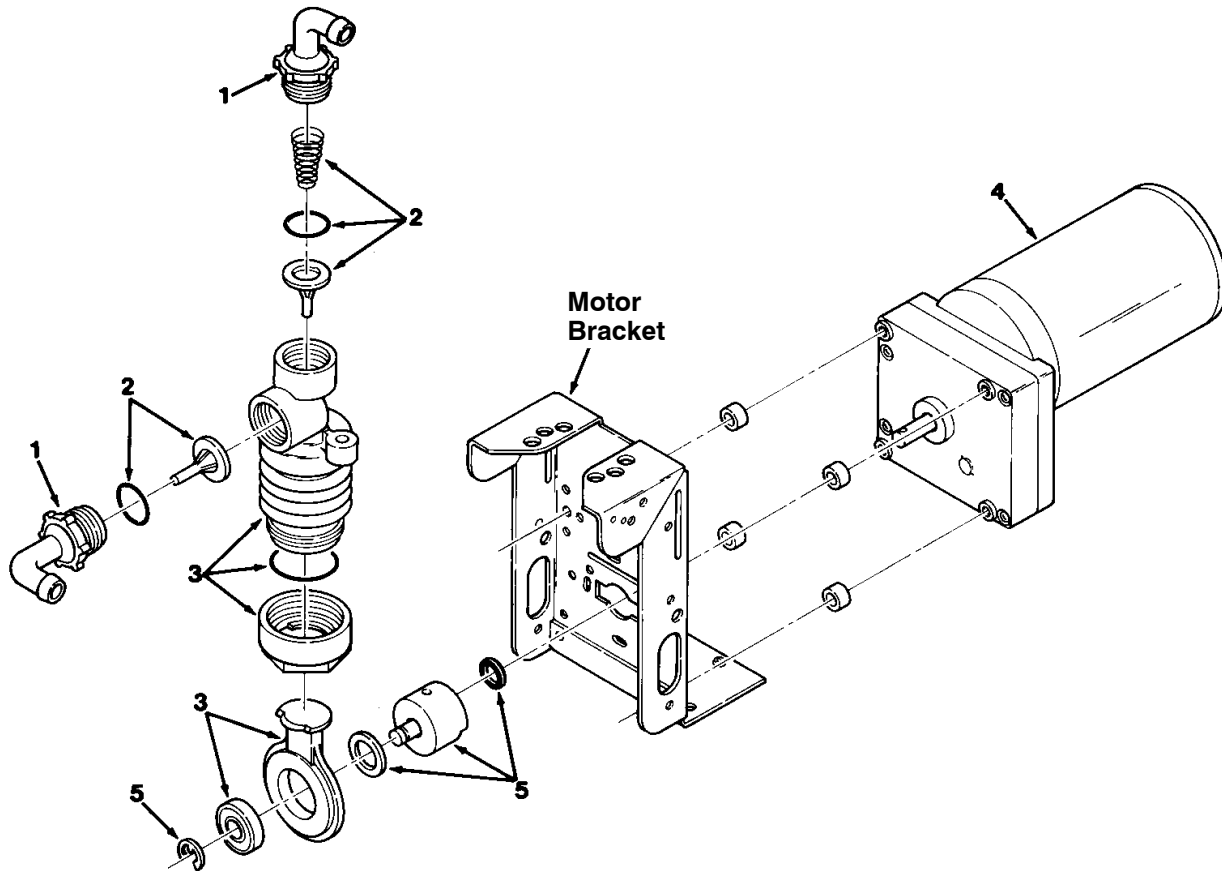


Fig. 13 – Hydraulic Steering Valve Breakdown, 1024260

	Ref.	Part No.	Serial Number	Description	Qty.
▽		1024260	(000000–) Steer–Control, Hyd05, 06.1 2030	1
▲	1	74183	(000000–) Screw, Valve, Steering	7
▲	2	74185	(000000–) Cap, End, Valve, Steering	1
▲	3	74193	(000000–) Spacer, Valve, Steering	1
▲	4	74222	(000000–) Plate, Wear, Steering Valve	1
▲	5	74232	(000000–) Pin, Valve, Steering	1
▲	6	21935	(000000–) Bearing Kit [C]	1
▲	7	21933	(000000–) Plug Assy [C]	1
▲	8	21934	(000000–) Valve Assy, Relief [C]	1
▲	9	74243	(000000–) Ring, Retainer, Steering Valve	1
▲	10	74196	(000000–) Spring Kit, Scu [C]	1
▲	11	74244	(000000–) Seal Kit, Steering [C]	1
▲	12	74245	(000000–) Instr, Valve, Steering, Repair	1

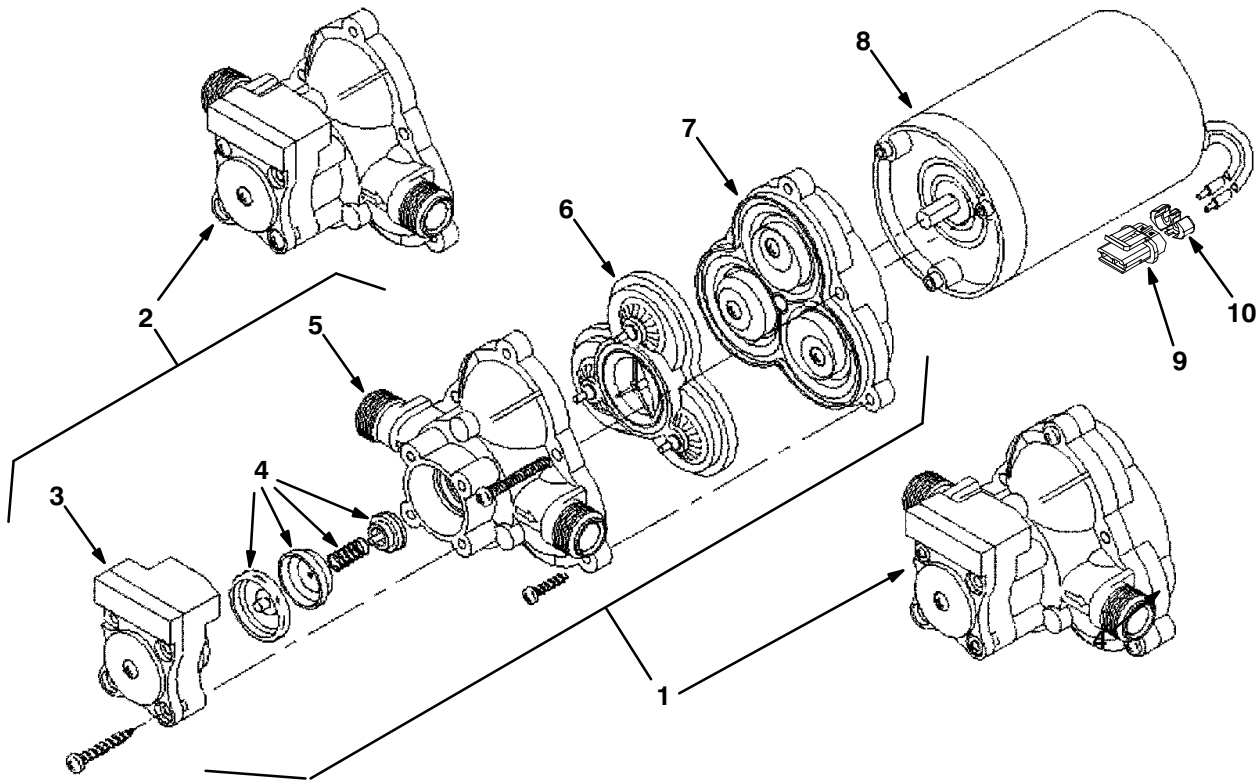
Fig. 14 – Metering Solution Pump Breakdown, 73260



00112 – ALL

Ref.	Part No.	Serial Number	Description	Qty.
▽	73260	(000000–) Pump, Detgt, 14vdc, 150ml/Min 20psi	1
▲	1 63923	(000000–) Tubing Connctr.Kit, Gorman Pmp	1
▲	2 21659	(000000–) Valve Kit, Poppet, Gorman Rupp	1
▲	3 21657	(000000–) Kit, Bellows, Pump, Detgt	1
▲	4 78875	(000000–) Motor, Ele, Gear, 14vdc, Pump, Detgt	1
▲	5 02430	(000000–) Crank Kit, Pump, F/79323, Replmt	1

Fig. 15 – Water Pump Breakdown, 1026743



07490 – 09670

Ref.	Part No.	Serial Number	Description	Qty.
▽	1026743	(000000–) Pump, Diaphragm	1
▲	1	1031802	(000000–) Complete Pump Kit, Pump, Repair,	1
▲	2	1031803	(000000–) Hsg & Switch Kit, Pump, Repair,	1
▲	3	1031796	(000000–) Switch Kit, Pump, Repair,	1
▲	4	1031797	(000000–) Check Valve Kit, Pump, Repair,	1
▲	5	1031798	(000000–) Upper Hsg Kit, Pump, Repair,	1
▲	6	1031799	(000000–) Bypass Valve Kit, Pump, Repair,	1
▲	7	1031800	(000000–) Diaphragm Kit, Pump, Repair,	1
▲	8	1031801	(000000–) Motor Kit, Pump, Repair,	1
▲	9	78950	(000000–) Connector, Fem, 02cav, Mp280 Sealed	1
▲	10	78952	(000000–) Lock, Secondary, 2cav, Mp280 Sealed	1
▲		78951	(000000–) Terminal, Fem, Mp280, Sealed, 18–16ga	2
▲		10917	(000000–) Seal, Wire, 14/16ga [Wp / Mp280 Sealed]	2

Fig. 16 – ec-H2O Module Assembly Breakdown, 9007882

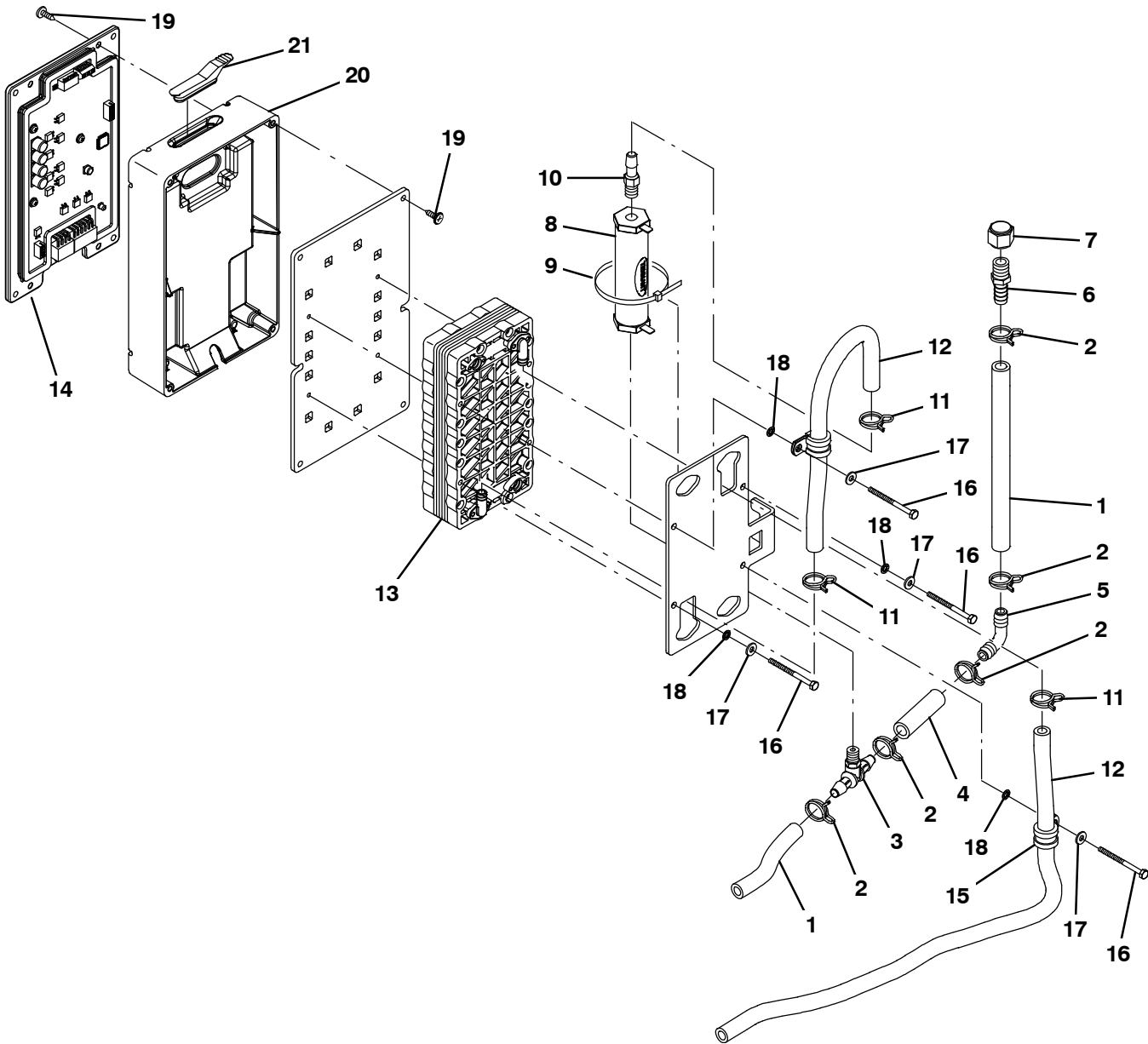


Fig. 16 – ec-H2O Module Assembly Breakdown, 9007882

	Ref.	Part No.	Serial Number	Description	Qty.
▽		9007882	(000000–) Module Kit, Replmt [Ec-H2O]	1
▲	1	1014974	(000000–) Hose, Afmkt, Pvc, Brd, 0.38id, 02ft, Clr	2
▲	2	607775	(000000–) Clamp, Hose, Wir, .63 – .66, Blk	5
▲	3	1060517	(000000–) Fitting, Plstc, Tee, Bm06/Pm02/Bm06	1
▲	4	1014971	(000000–) Hose, Afmkt, Pvc, Brd, 0.38id, 01ft, Clr	1
▲	5	20951	(000000–) Fitting, Plstc, E90, Bm06/Bm06	1
▲	6	150540	(000000–) Fitting, Plstc, Str, Bm06/Pm04	1
▲	7	1005435	(000000–) Fitting, Plstc, Pipe, Cap, Pf04	1
▲	8	1038159	(000000–) Electrode, Cylindrical	1
▲	9	44961	(000000–) Tie, Cable, Nyl, 14.5l .30w 4.0 Max D	1
▲	10	1060695	(000000–) Fitting, Plstc, Str, Pm02/Bm05	1
▲	11	1053464	(000000–) Clamp, Hose, Wir, .52 – .56, Yel	3
▲	12	1052336	(000000–) Hose, Afmkt, PVC, Brd, 0.31ld, 03Ft, Clr	1
▲	13	1057637	(000000–) Electrode, 5 Plate, High Flow	1
▲	14	9007883	(000000–) Controller Kit, Replmt [Ec-H2O]	1
▲	15	1016354	(000000–) Clamp, Cable, Ss, 0.50d X 0.50w [Insul]	2
▲	16	32509	(000000–) Screw, Hex, M4 X 0.70 X 50, Ss	4
▲	17	41579	(000000–) Washer, Flat, 08, Ss	4
▲	18	02938	(000000–) Washer, Lock, Int, 08, Ss	4
▲	19	1018155	(000000–) Screw, Pan, Phl, M5 X 0.80 X 16, Tcut,Ss	8
▲	20	1037032	(000000–) Housing, Bottom	1
▲	21	1054776	(000000–) Grommet, Blind	1

Fig. 17 – Seat Breakdown, 1072456

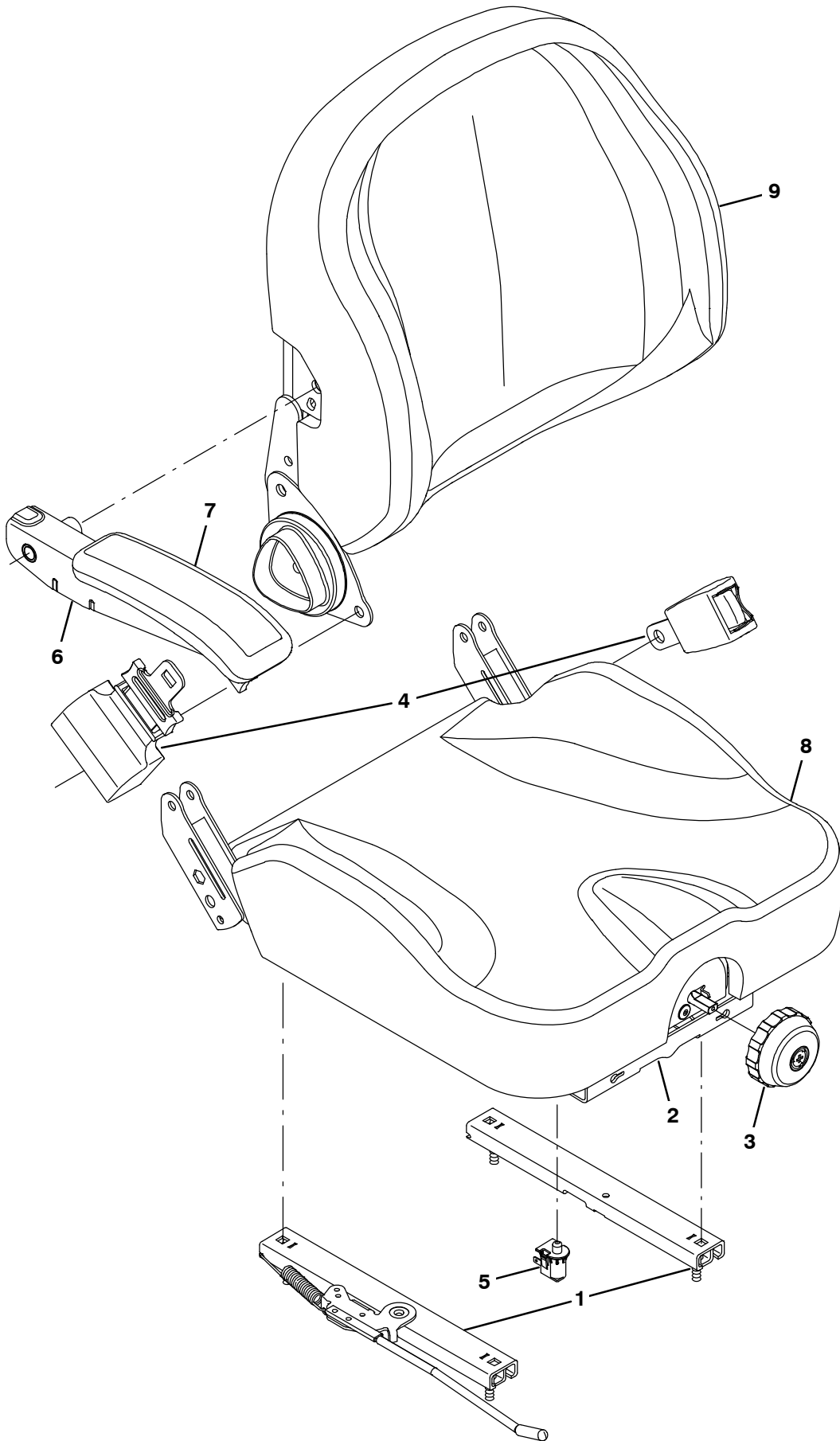
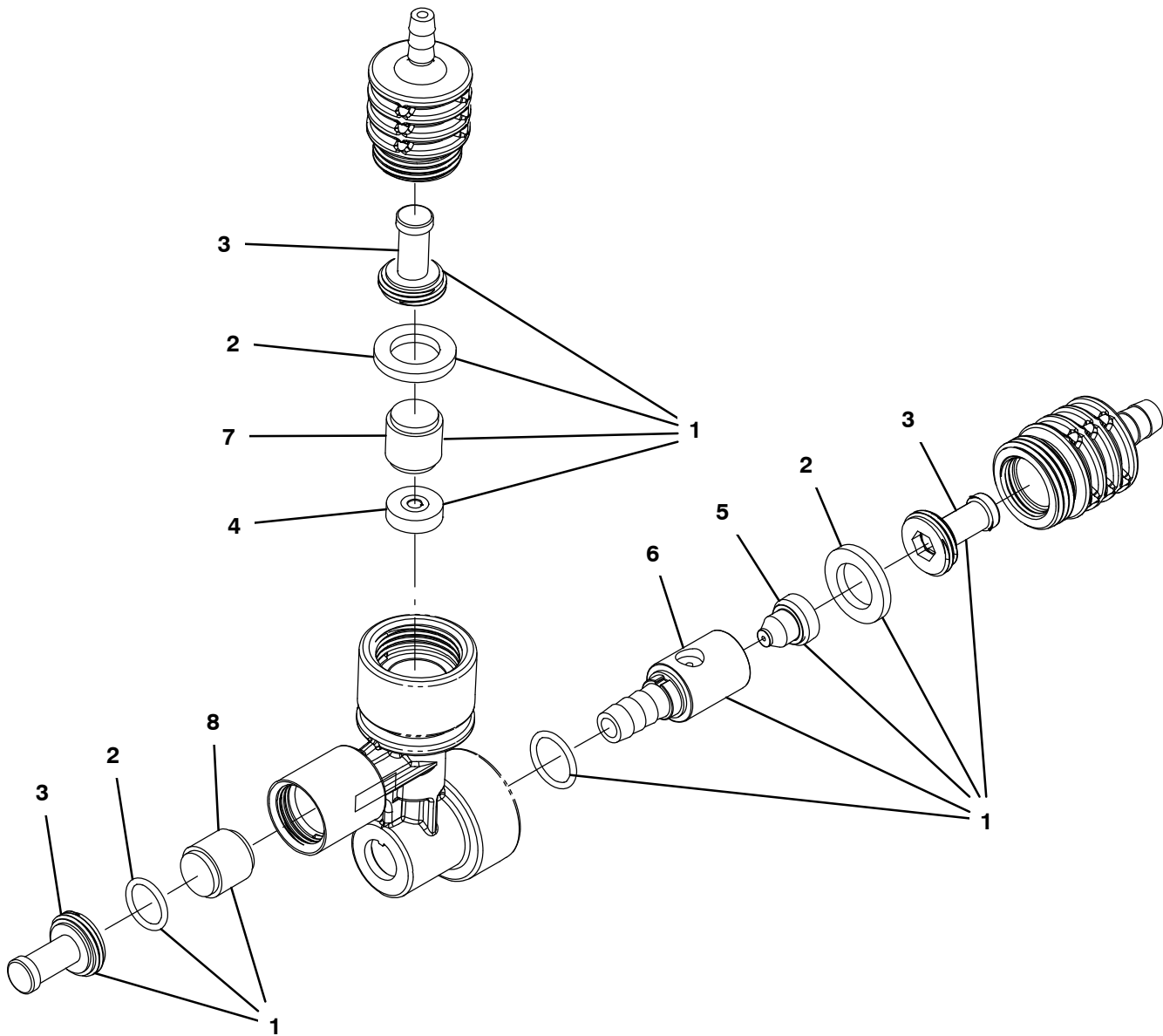


Fig. 17 – Seat Breakdown, 1072456

	Ref.	Part No.	Serial Number	Description	Qty.
▽		1072456	(000000–) Seat	1
▲	1	9012585	(000000–) Track Assy, Slide	1
▲	2	9012587	(000000–) Bellows, Seat	1
▲	3	9012589	(000000–) Knobs, Adjmt, Weight	1
▲	4	9012590	(000000–) Seatbelt	1
▲	5	9012591	(000000–) Switch, Seat	1
▲	6	9012592	(000000–) Armrest	1
▲	7	9012593	(000000–) Pad, Armrest	1
▲	8	9012594	(000000–) Cover, Cushion	1
▲	9	9012595	(000000–) Cover, Backrest	1

Fig. 18 – FaST Injector Assembly Breakdown, 9008868



356271

Ref.	Part No.	Serial Number	Description	Qty.
▽	9008868	(000000–) FaST Kit, Injector [M20/T20/m30 FaST III}	1
▲▽	1 9008757	(000000–) FaST Kit, Ci [inj Rebl, M30/M20 III]	1
▲▲	2 9008848	(000000–) FaST Kit, Seal, injector, Ci [FaST III]	1
▲▲	3 9003009	(000000–) FaST Kit, Ci, Injector Filters[FaST li+]	1
▲▲	4 1059878	(000000–) Plate Assy, Orifice, 0.0105ld, Green	1
▲▲	5 1042710	(000000–) Plug, Orifice, 0.060, Ss [FaST li+]	1
▲▲	6 1059234	(000000–) Insert, :Lrg [Venturi, FaST III]	1
▲▲	7 1030444	(000000–) Valve, Check, 0002psi [FaST li+]	1
▲▲	8 1030441	(000000–) Valve, Check, 0005psi [FaST li+]	1

SECTION 5

Contents	Page
Fig. 1 – Cylinder Head and Valves Group . . .	5-2
Fig. 2 – Crankshaft and Pistion Group	5-4
Fig. 3 – Oil and Water Pump Group	5-6
Fig. 4 – Oil Pan and Filter Group	5-8
Fig. 5 – Manifold Group	5-9
Fig. 6 – Camshaft Group	5-10
Fig. 7 – Ignition Group	5-12

Fig. 1 - Cylinder Head and Valves Group

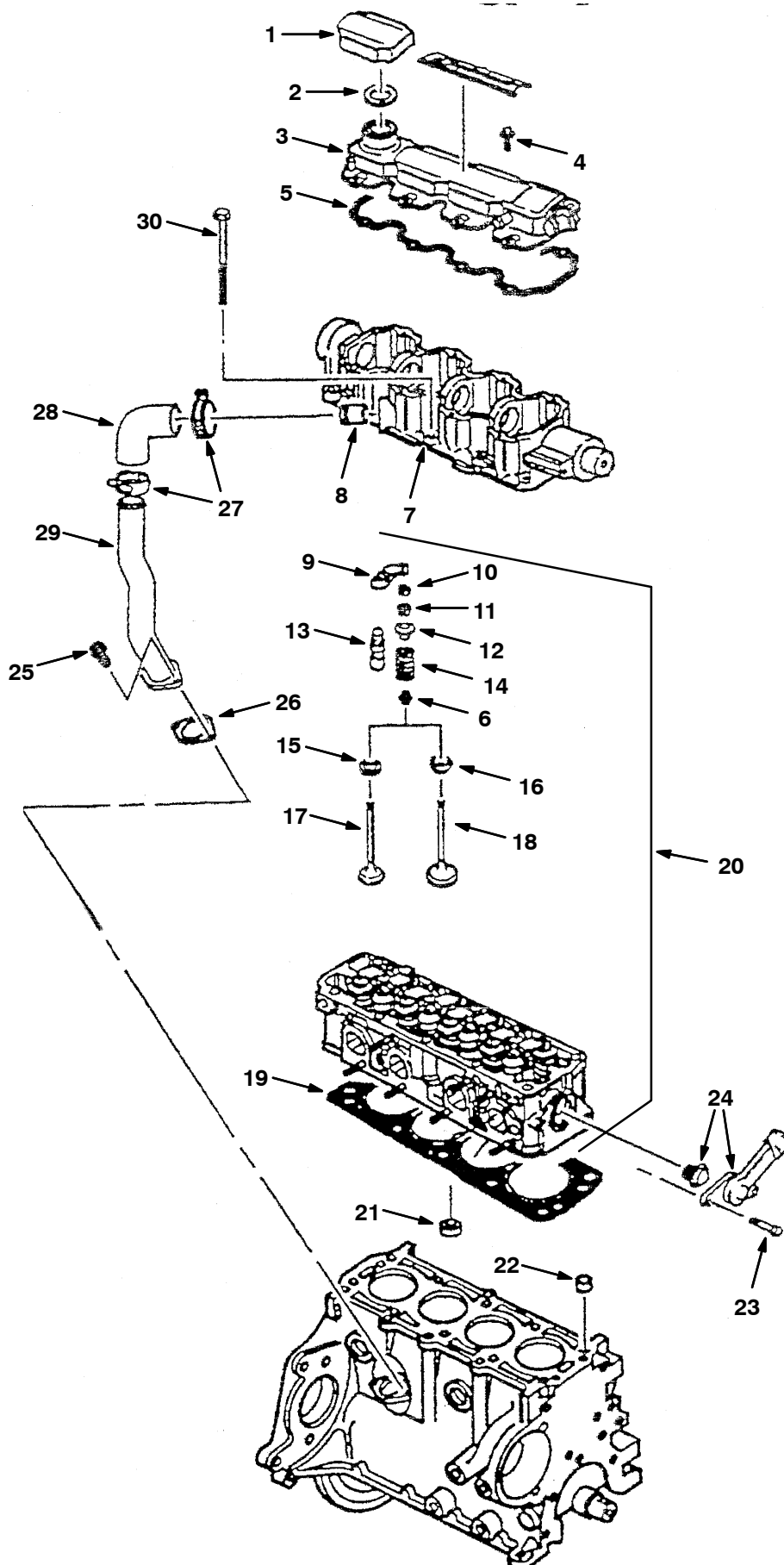


Fig. 1 – Cylinder Head and Valves Group

Ref.	Part No.	Description	Qty.
1	372574	Cap, Filler, Oil, W/ Org	1
2	372573	Seal, Org, Cap	1
3	372007	Cover, Hsng, Camshaft	1
4	371990	Bolt, Camshaft Cover	8
5	372008	Gasket, Cover, Hsng, Camshaft	1
6	9003345	Seal, Seat, Valve	8
7	372018	Housing, Camshaft	1
8	372019	Tube [Pcv]	1
9	372030	Arm, Rocker, Valve	8
10	372031	Seat, Spring, Valve, 0.333	8
11	372033	Key, Valve Stem	16
12	372034	Cap, Spring, Valve	4
13	372035	Screw, Adj, Valve, Hyd	8
14	372036	Spring, Valve	8
15	372037	Seat, Rotator, Valve	4
16	372032	Seat, Spring, Valve	8
17	372038	Valve, Exhaust	4
18	372039	Valve, Intake	1
19	372022	Gasket, Head, Cyl	1
20	372023	Head, Cyl	1
21	372024	Seat, Valve, Exhaust, [+0.2mm]	4
21	372025	Seat, Valve, Exhaust, Std	4
21	372026	Seat, Valve, Exhaust, [+0.4mm]	4
21	372027	Seat, Valve, Intake, Std	4
21	372028	Seat, Valve, Intake, [+0.2mm]	4
21	372029	Seat, Valve, Intake, [+0.4mm]	4
22	371999	Pin, Lock, Cyl Head, 14mm X 17mm	2
23	372048	Bolt, Hsng, Thermostat	2
24	372047	Thermostat, W/ Hsng And Seal	1
25	371957	Bolt, Tube [Pvc], M6 X 1 X 15	2
26	371958	Gasket, Tube [Pcv]	1
27	371954	Clamp, Hose, 1.75 [Pcv]	2
28	371955	Hose [Pcv]	1
29	371956	Tube [Pcv]	1
30	372882	Bolt, Head. Cyl	10

Fig. 2 - Crankshaft and Piston Group

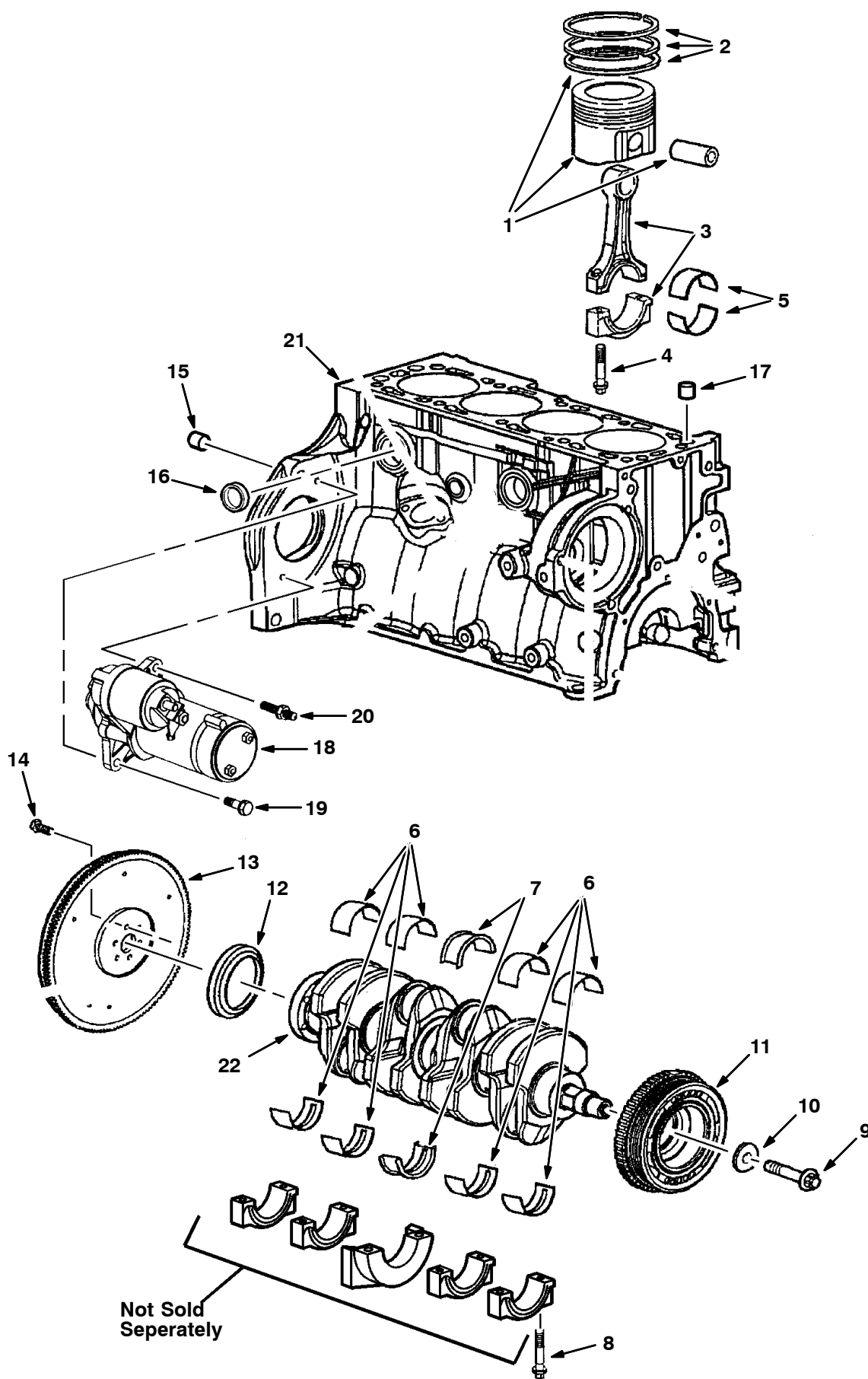


Fig. 2 – Crankshaft and Piston Group

	Ref.	Part No.	Description	Qty.
▽	1	371932	Piston, W/ Pin, Std	1
▲	2	371931	Ring Kit, Piston, Std 78.95–79.02mm	4
	3	371934	Rod, Connecting, M08 X 45	4
	4	371935	Bolt, Connecting Rod	8
	5	371933	Bearing Kit, Rod, Connecting, Std	1
	6	371966	Bearing Kit, Cshft, 1.995–2.001mm (Brown Blue)	4
	6	371967	Bearing Kit, Cshft, 2.120–2.126mm	4
	6	371968	Bearing Kit, Cshft, 2.114–2.120mm (Green)	4
	6	371969	Bearing Kit, Cshft, 1.989–1.995mm (Std Brown)	4
	7	371970	Bearing Kit, Cshft, 1.989–1.995mm (Brown – Middle)	1
	7	371971	Bearing Kit, Cshft, 1.995–2.001mm (Green – Middle)	1
	8	371946	Bolt, M10 X 1.50 X 75mm	10
	9	371938	① Bolt, M12 X 1.75 X 62mm	1
	9	384961	② Bolt, Pulley, Cshft	1
	10	371937	Washer, Sheave, Cshft	1
	11	371936	Sheave, Cshft	1
	12	371945	Seal, Oil, Cshft	1
▽	13	371979	Flywheel	1
▲		371977	Gear, Ring, Starter	1
	14	371976	Bolt, Flywheel	6
	15	371978	Pin, Lock, Transmission	2
	16	371942	Plug, Hole, Coolant, Eng Block	6
	17	371999	Pin, Lock, Cyl Head, 14mm X 17mm	2
	18	371962	③ Starter, 12vdc [Gm] (Before Mar. 2006)	1
	18	384963	④ Starter, 12vdc [Delco] (Mar. 2006 and Newer)	1
	19	371963	① Bolt, M08 X 1.25 X 25mm	1
	19	384964	② Bolt, M08 X 1.25 X 25mm	1
	20	371964	Stud, Starter, M08 X 1.25	1
	21	371944	Block, Short, Eng, W/ Piston & Ring	1
	22	371965	Crankshaft	1

① Serial Number (000000–xxxxxx)

② Serial Number (xxxxxx–)

③ Serial Number (000000000–1PGL13150)

④ Serial Number (1PGL13151–)

Fig. 3 - Oil and Water Pump Group

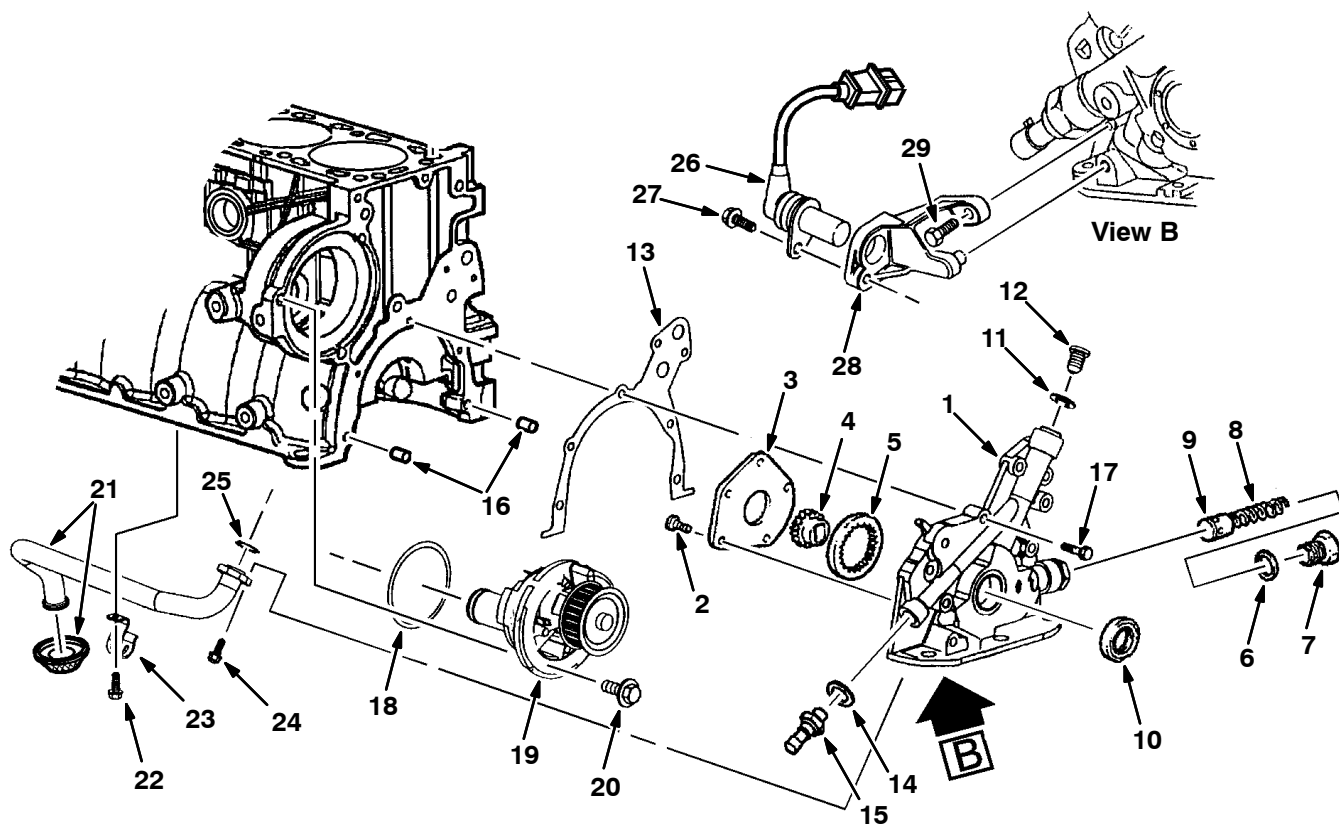


Fig. 3 – Oil and Water Pump Group

Ref.	Part No.	Description	Qty.
▽	1 372572	Pump, Oil	1
▲	2 371947	Bolt, Cover, Oil Pump, M6 X 14	5
▲	3 371948	Cover, Pump, Oil	1
▲	4 371949	Gear, Ring, Drive, Oil Pump	1
▲	5 371950	Gear, Drive, Oil Pump	1
▲	6 371998	Gasket, Plug, Relief Valve, Oil Press	1
▲	7 371994	Plug, Bore, Valve, Relief, Oil Press	1
▲	8 371993	Spring, Valve, Relief, Oil Press	1
	9 371997	Valve, Relief, Oil Press	1
	10 372005	Seal, Org, Oil Pump	1
	11 371951	Seal, Org, Hsng, Oil Pump	1
	12 371952	Plug, Hsng, Oil Pump	1
	13 371984	Gasket, Pump, Oil	1
	14 371987	Seal, Org, Press Switch / Drain Plug	1
	15 371996	③ Switch, Indicator, Oil Press	1
	15 9008197	④ Switch, Indicator, Oil Press [2010]	1
	16 371983	Pin, Ring, Lock, Hsng, Water Pump	2
	17 371986	Bolt, Pump, Oil	6
	18 372567	Seal, Org, Water Pump	1
	19 371981	Pump, Water [Gm]	1
	20 371980	Bolt, Cover, Water Pump	3
	21 372001	Screen, Oil Pump, W/ Suc Pipe	1
	22 371991	Bolt, Bracket, Screen, Oil Pump, M6x1x1	1
	23 372000	① Bracket, Screen, Oil Pump	1
	23 384966	② Bracket, Screen, Oil Pump	1
	24 371990	Bolt, Oil Pump Screen/Camshaft Cover	2
	25 371988	Seal, Ring, Pipe, Suc, Oil Pump	1
	26 372002	Sensor, Position, Cshft	1
	27 384968	Bolt, Bracket, Sensor, Cshft Position	1
	28 372003	Bracket, Sensor, Position, Cshft	1
	29 372004	Bolt, Sensor, Position, Cshft	3

① Serial Number (000000–xxxxxx)

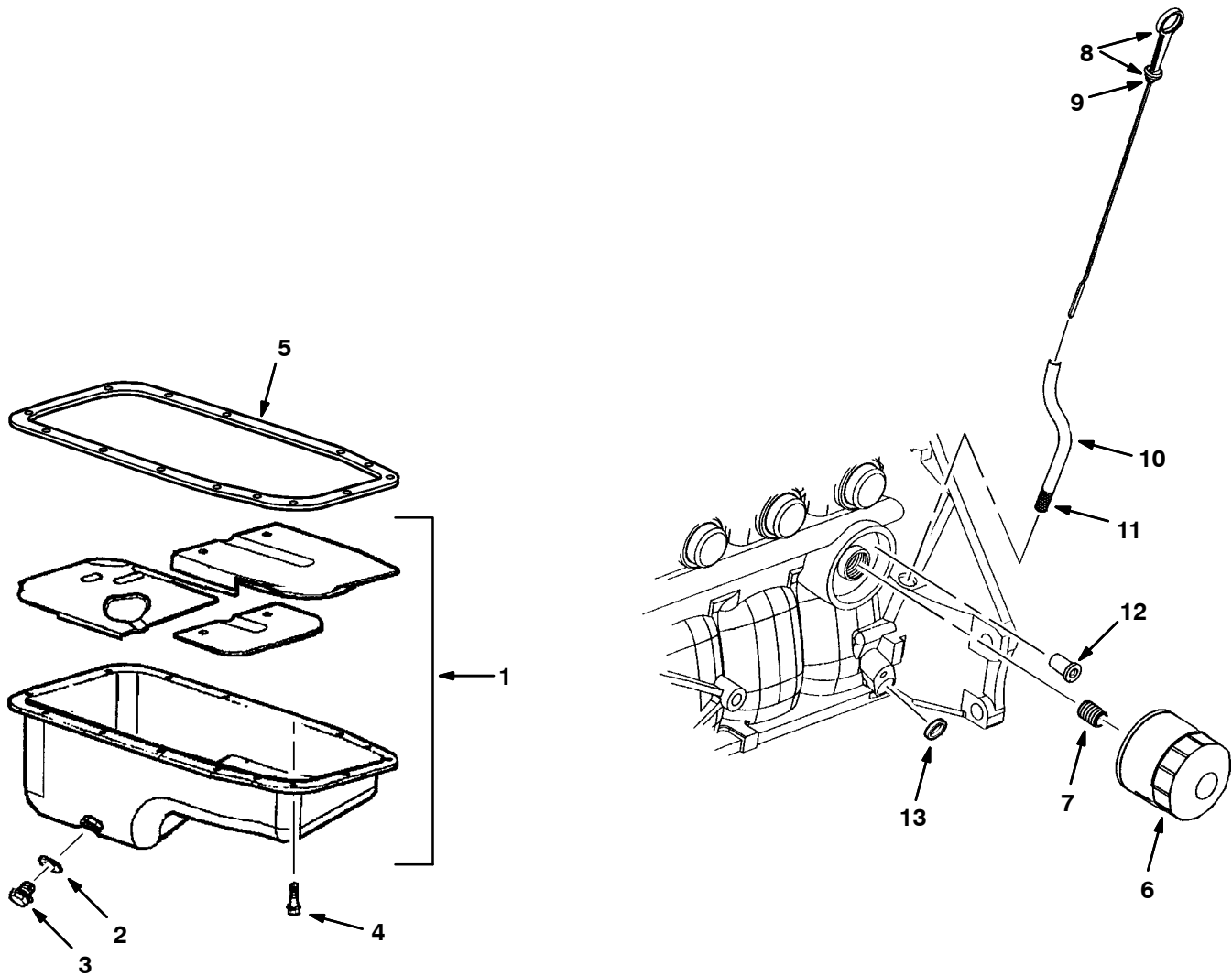
② Serial Number (xxxxxx–)

③ Tennant Serial number (000000–002140)

④ Tennant Serial number (002141–)

GM 1.6L ENGINE BREAKDOWN

Fig. 4 – Oil Pan and Filter Group



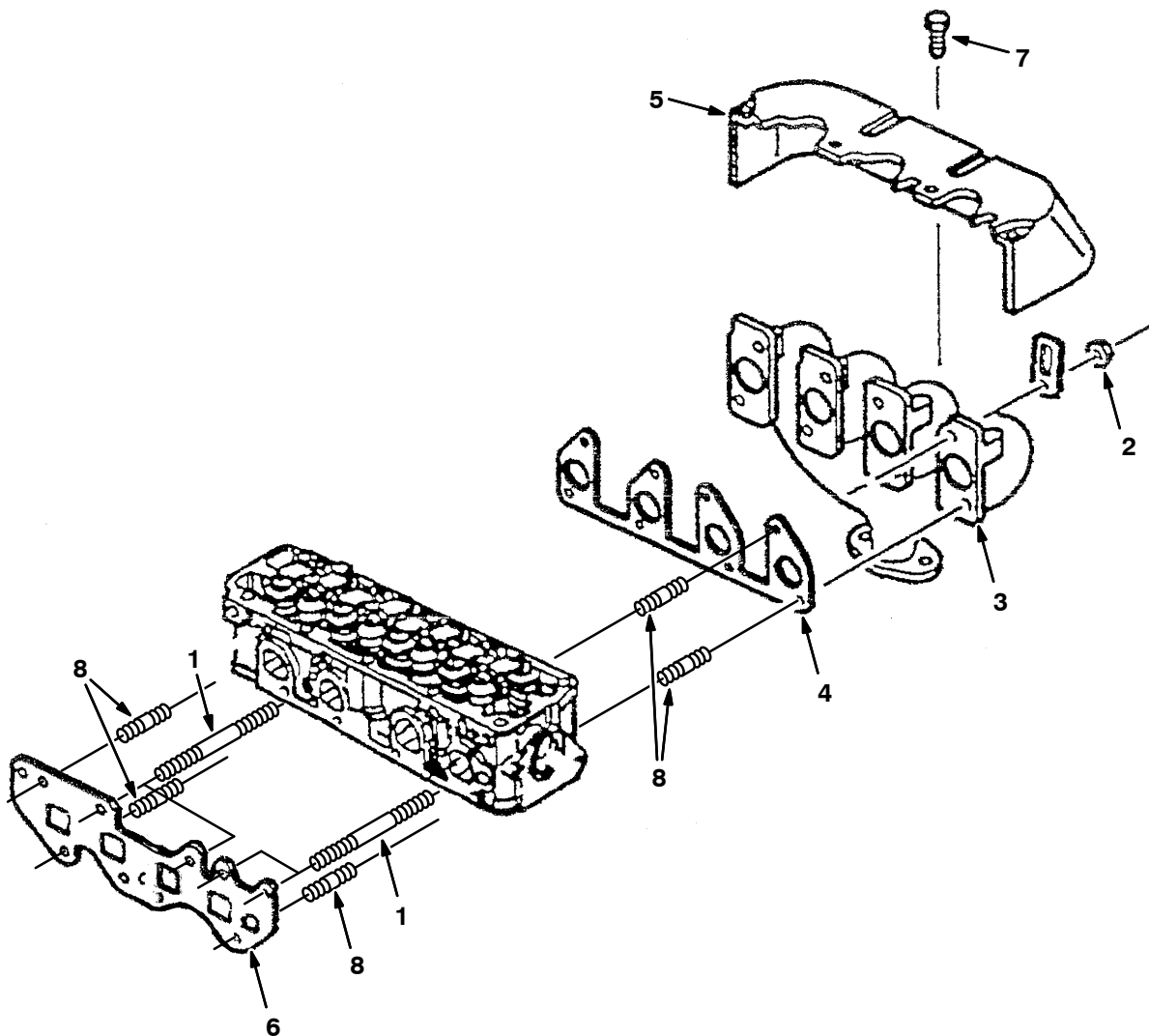
G, LP

Ref.	Part No.	Description	Qty.
▽	1 371960	Pan, Oil, W/ Baffle / Plug / Seal	1
▲	2 371987	Seal, Org, Press Switch / Drain Plug	1
▲	3 371992	Plug, Drain, Oil Pan, M14 X 1.5 X 12	1
	4 371961	① Bolt, M06 X 1.00 X 13mm	15
	4 384962	② Bolt, Pan, Oil	15
	5 371959	Gasket, Pan, Oil	1
	6 371972	Element, Fltr, Oil, Eng, Spin-On (GM)	1
	7 371973	Fitting, Fltr, Oil	1
▽	8 372560	Dipstick, Oil	1
▲	9 371995	Seal, Org, Cap, Fltr, Oil	1
	10 371940	Tube, Ds	1
	11 371941	Sealant, Tube, Ds	1
	12 371975	Valve, By-Pass, Oil Fltr	1
	13 371943	Plug, Hole, Core, Eng Block	1

① Serial Number (000000-xxxxxx)

② Serial Number (xxxxxx-)

Fig. 5 - Manifold Group



G, LP

Ref.	Part No.	Description	Qty.
1	372021	Stud, Manifold, M8 X 96	4
2	372049	Nut, Manifold, Exhaust, M8 X 1.25	8
3	372050	Manifold, Exhaust	1
4	372051	Gasket, Manifold, Exhaust	1
5	372052	Shield, Manifold, Exhaust	1
6	372053	Gasket, Manifold, Intake	1
7	372066	Bolt, Shield, Manifold, Exhaust	5
8	372020	Stud, Manifold, M8 X 28	13

Fig. 6 - Camshaft Group

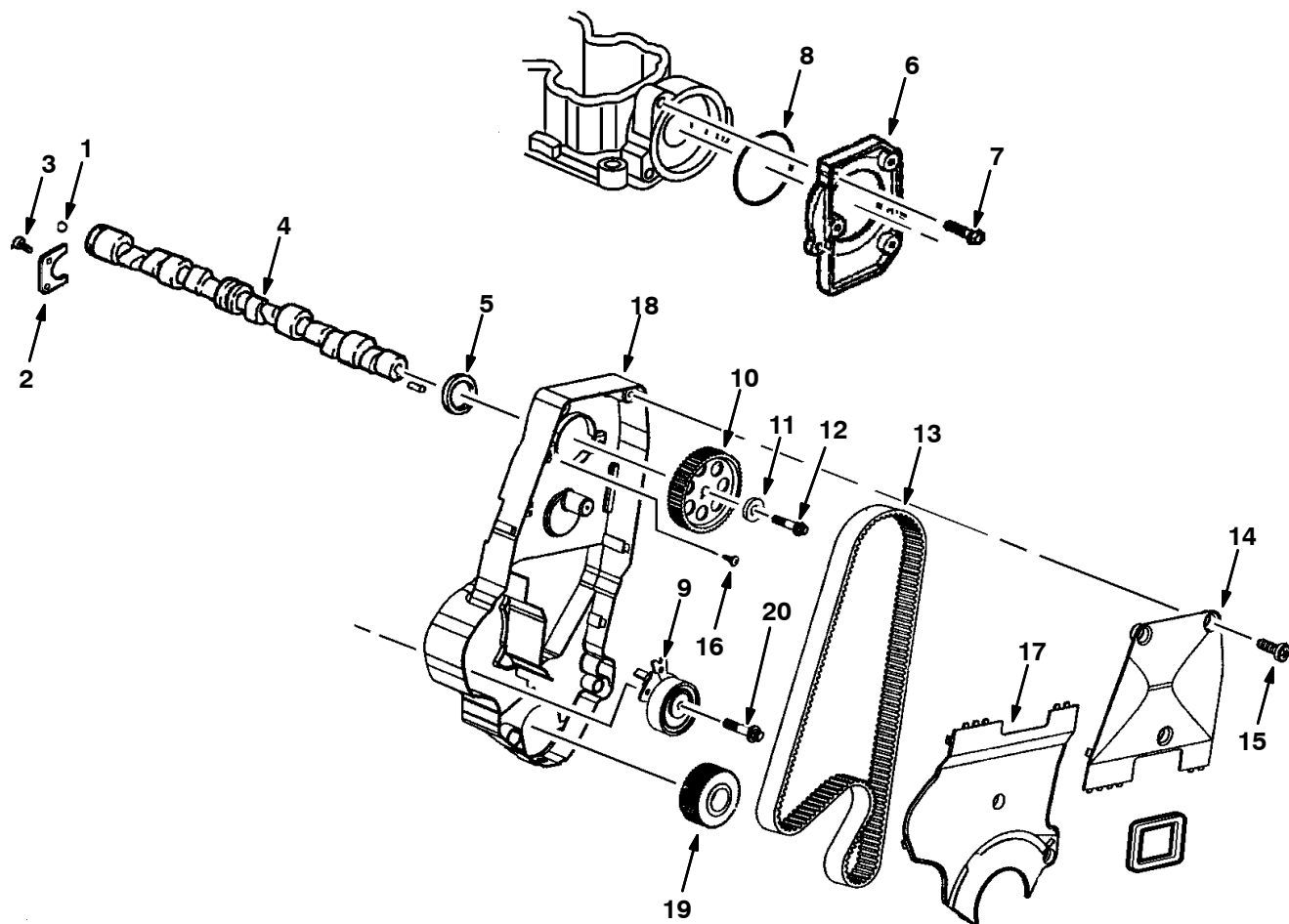
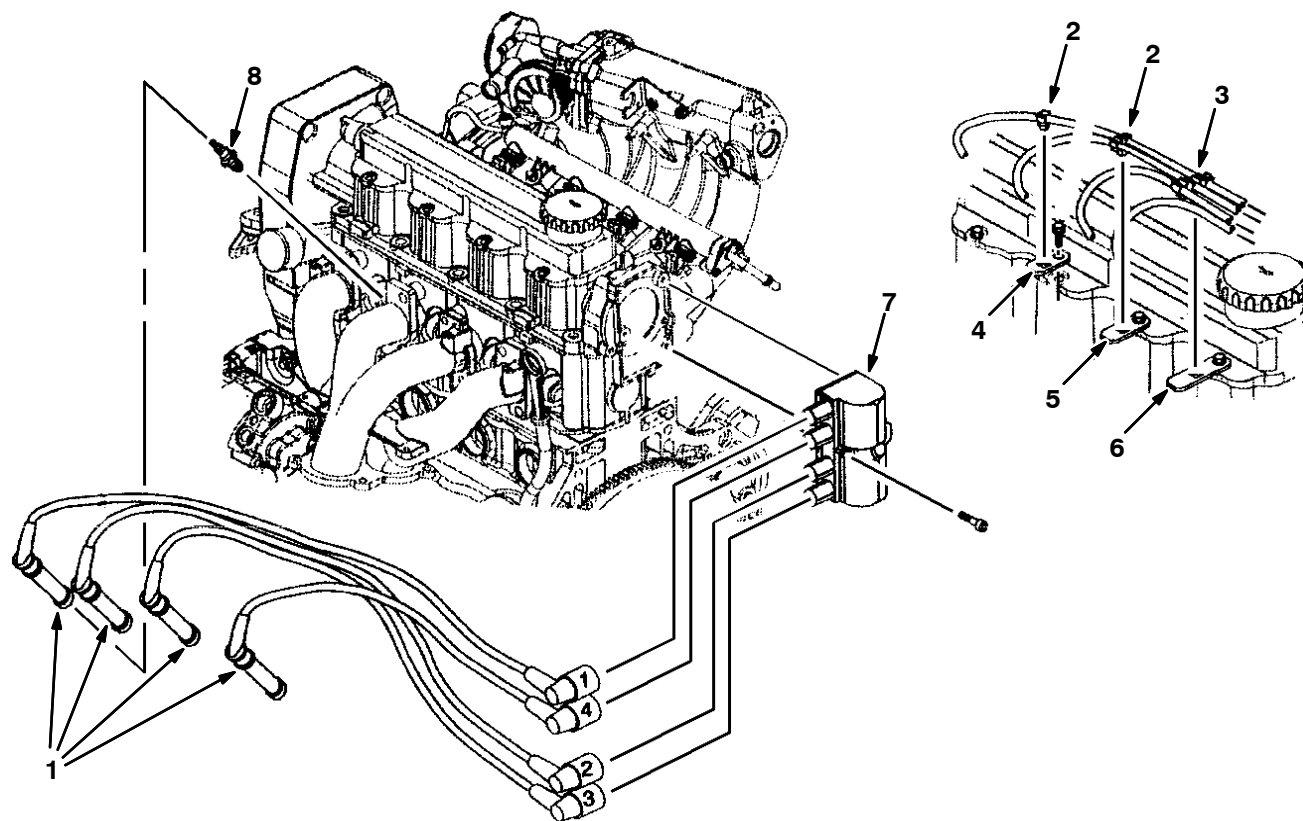


Fig. 6 – Cam Shaft Group

Ref.	Part No.	Description	Qty.
1	372009	Ball, Camshaft	1
2	372010	Retainer, Camshaft	1
3	372011	Bolt, Retainer, Camshaft, M6 X 1 X 16	2
4	372012	Camshaft	1
5	372013	Seal, Org, Bolt, Cover, Camshaft Hsng	1
6	372014	Cover, Hsng, Camshaft	1
7	372015	Bolt, Cover, Camshaft, M6 X 1 X 22	3
8	372016	Seal, Org, Bolt, Cover, Camshaft Hsng	1
9	9004674	Pulley, Tension, Belt, Timing	1
10	372040	Sprocket, Camshaft	1
11	372017	Washer, Sprkt, Camshaft	1
12	372041	Bolt, Sprocket, Camshaft, M10x1.25x60	1
13	1057029	Belt, Timing [Gm1.6L]	1
14	372043	Cover, Belt, Timing, Upper Front	1
15	371961	Bolt, Eng Cover, M6 X 1 X 13	6
16	372046	Bolt, Tensioner, Timing Belt, M8x1.25x48	1
17	372044	Cover, Belt, Timing, Lower Front	1
18	372616	Housing, Camshaft	1
19	388552	Sprocket, Crankshaft	1
20	9004675	Bolt, Tensioner [GM]	1

Fig. 7 - Ignition Group



G, LP

Ref.	Part No.	Description	Qty.
1	372603	Wire Set, Sparkplug [1.6l]	1
2	372055	Retainer, Sparkplug, 2 Way	2
3	372056	Retainer, Sparkplug, 3 Way	1
4	372057	Bracket, Retaining, Wire, Sparkplug	1
5	372058	Bracket, Retaining, Wire, Sparkplug	1
6	372059	Bracket, Retaining, Wire, Sparkplug	1
7	372060	Coil, Ignition	1
8	372575	Sparkplug	4

SECTION 6

Contents	Page
Fig. 1 – Cylinder Block Group	6-2
Fig. 2 – Rocker Cover Group	6-4
Fig. 3 – Cylinder Head Group	6-5
Fig. 4 – Front Cover and Oil Pan Group	6-6
Fig. 5 – Camshaft and Valve Group	6-8
Fig. 6 – Piston and Crankshaft Group	6-10
Fig. 7 – Balancer Group	6-11
Fig. 8 – Oil Pump and Pressure Switch Group	6-12
Fig. 9 – Water Pump Group	6-13
Fig. 10 – Intake Manifold Gasket Group ...	6-14
Fig. 11 – Exhaust Manifold Gasket Group ..	6-16
Fig. 12 – Fan Tensioner and Pump Mount Group	6-17
Fig. 13 – Flywheel Group	6-18
Fig. 14 – Ignition Coil and Spark Plug Group	6-19
Fig. 15 – Starter / Alternator Group	6-20
Fig. 16 – Remote Oil Filter	6-21
Fig. 17 – Coolant Group	6-22
Fig. 18 – DSR Coolant Group, LPG Engine	6-23
Fig. 19 – Electrical Group	6-24
Fig. 20 – Fuel Rail Group, Gasoline Engine	6-26
Fig. 21 – Throttle Body Group, Gasoline Engine	6-27
Fig. 22 – Throttle Body Group, LPG Engine	6-28
Fig. 23 – Vaporizer Group, LPG Engine ...	6-29
Fig. 24 – Electronic Pressure Regulator (EPR) Group, LPG Engine	6-30

Fig. 1 - Cylinder Block Group

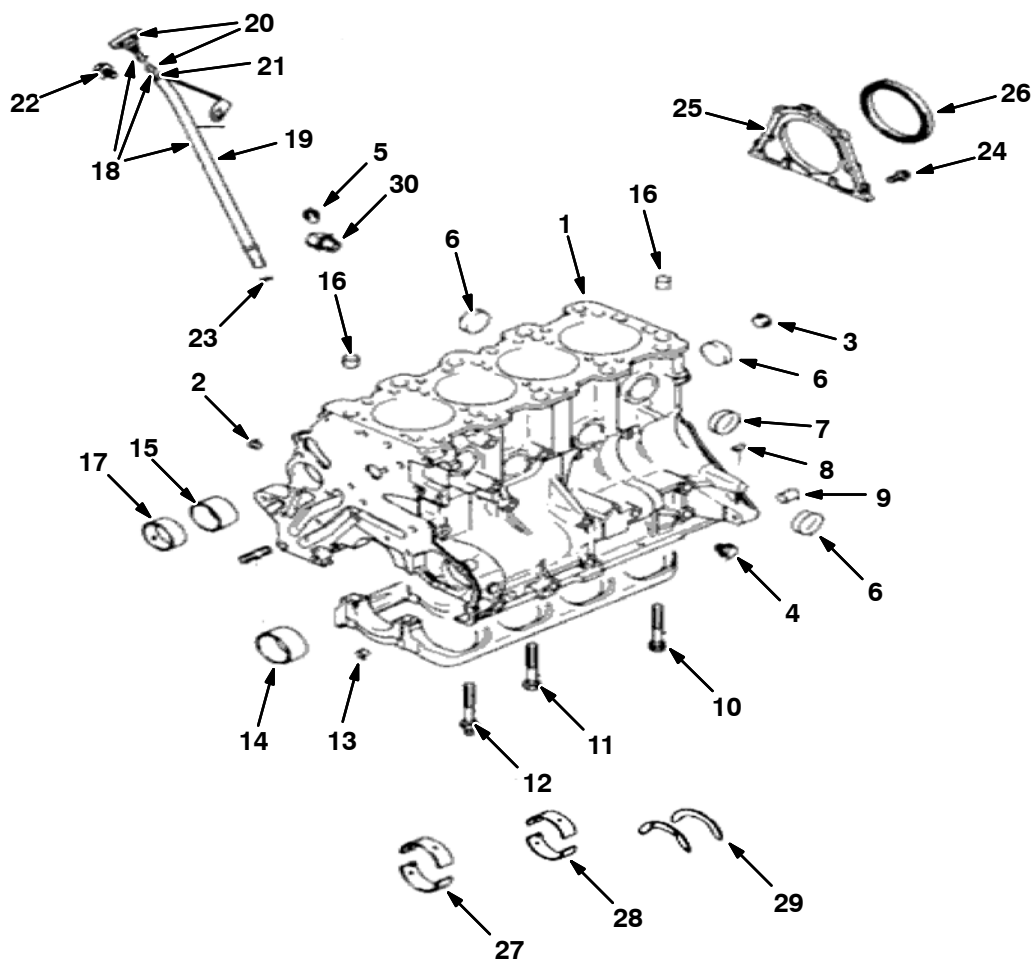
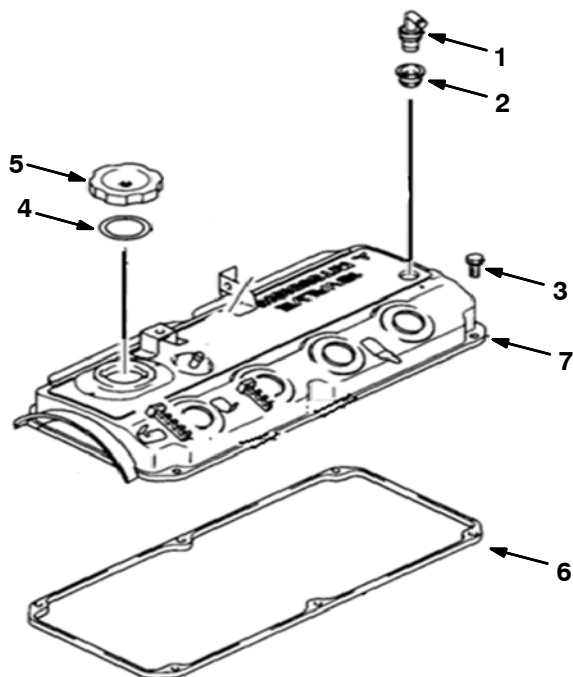


Fig. 1 – Cylinder Block Group

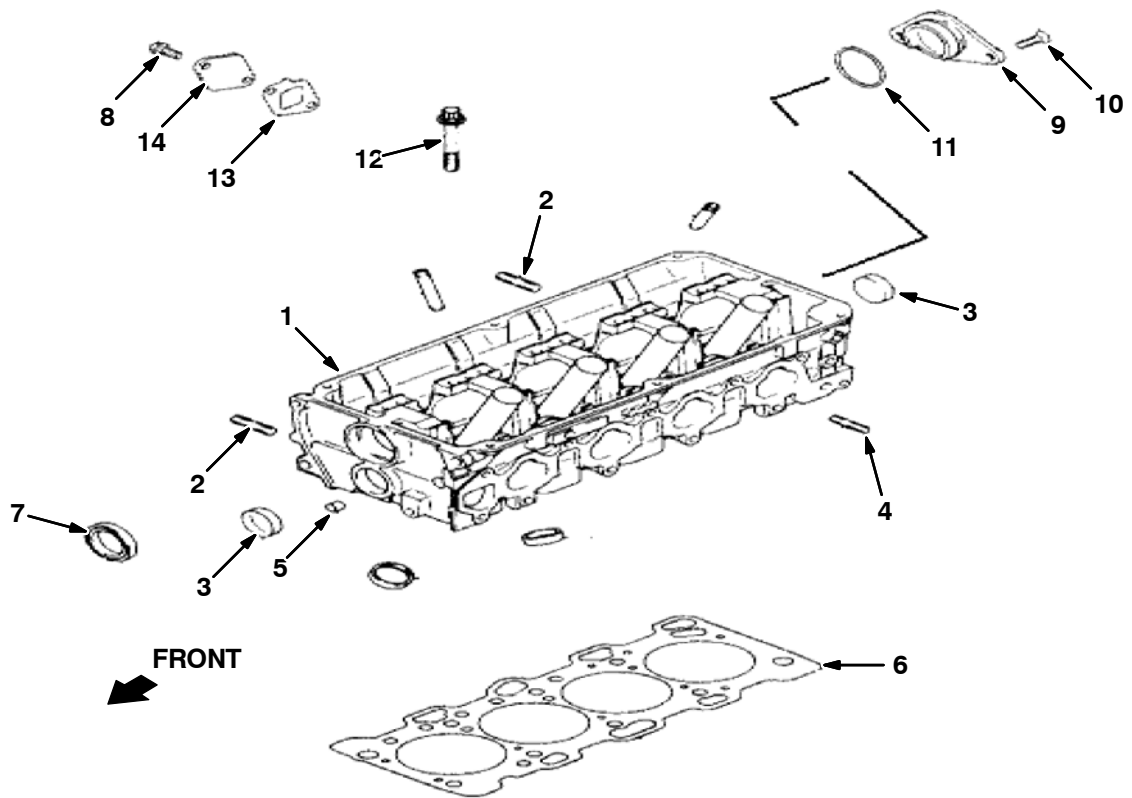
	Ref.	Part No.	Description	Qty.
▽	1	9010419	Block Assy, Cylinder	1
▲	2	9010420	Plug, Taper	2
▲	3	9010421	Plug, Taper	1
▲	4	9010422	Plug	1
▲	5	9010423	Plug, Taper	1
▲	6	9010424	Cap, Seal	7
▲	7	9010425	Cap, Seal	2
▲	8	9010426	Pin, Dowel	2
▲	9	9010427	Bushing, Knock	2
▲	10	9010428	Bolt, Cap, Bearing	2
▲	11	9010429	Bolt, Cap, Bearing	7
▲	12	9010430	Bolt, Cap, Bearing	1
▲	13	9010431	Bushing	2
▲	14	9010432	Bearing, Std, Balancer	1
▲	14	9010433	Bearing, Oversize [1.0]	1
▲	15	9010434	Bearing, Std, Balancer	1
▲	15	9010435	Bearing, Oversize [1.0]	1
▲	16	9010436	Bushing, Knock	2
▲	17	9010458	Bearing, Shaft, Std, Balancer	1
▲	17	9010459	Bearing, Shaft, Balancer [OvrSz]	1
▽	18	9010439	Dipstick Assy, Guage	1
▲	19	9010440	Dipstick, Guage, Guide	1
▲▽	20	9010437	Dipstick, Rod, Guage	1
▲▲	21	9010438	O-Ring	1
	22	9010441	Bolt, Flange	1
	23	9010442	O-Ring	1
	24	9010444	Bolt, Flange	5
	25	9010445	Seal, Case, Oil, Rear	1
	26	9010446	Seal, Oil	1
	27	9010447	Bearing, Cshft [Green Std 1,2,4,5]	4
	27	9010448	Bearing, Cshft [Yellow Std 1,2,4,5]	4
	27	9010449	Bearing, Cshft[No Color Std 1,2,4,5]	4
	27	9010450	Bearing, Cshft [Lan Std 1,2,4,5]	4
	27	9010451	Bearing, Cshft [Red Std 1,2,4,5]	4
	28	9010452	Bearing, Cshft [Green Std 3]	1
	28	9010453	Bearing, Cshft [Yellow Std 3]	1
	28	9010454	Bearing, Cshft [No Color Std 3]	1
	28	9010455	Bearing, Cshft [Lan Std 3]	1
	28	9010456	Bearing, Cshft [Black Std 3]	1
	29	9010457	Bearing, Thrust, Cshft	1
	30	9010443	Drain, Water, Joint	1

Fig. 2 – Rocker Cover Group



Ref.	Part No.	Description	Qty.
1	9010460	Valve, Pcv	1
2	9010461	Valve, Gasket, Pcv	1
3	9010462	Bolt, Rocker, Cover	6
4	9010463	Gasket, Oil, Filler, Cap	1
5	9010464	Cap, Oil, Filler	1
6	9010465	Gasket, Cover, Rocker	1
7	9010466	Cover Assy, Rocker	1

Fig. 3 – Cylinder Head Group



Ref.	Part No.	Description	Qty.
▽	1 9010467	① Head Assy, Cylinder	1
▲	2 9010473	Stud	2
▲	3 9010469	Seal, Cap	2
▲	4 9010470	Stud	3
▲	5 9010431	Bushing	2
▽	1 9014162	② Head Kit, Cyl [Mitsubishi 2015 12mm]	1
▲	2 9010473	Stud	2
▲	3 9010469	Seal, Cap	2
▲	4 9010470	Stud	3
▲	5 9010431	Bushing	2
	6 9010468	Gasket, Cylinder, Head	1
	7 9010471	Seal, Cam Shaft, Front	1
	8 9010441	Bolt, Flange	2
	9 9010480	Thurst, Case	1
	10 9010481	Screw	2
	11 9010482	O-Ring	1
	12 9010484	Cylinder Assy, Head, Bolt	10
	13 9010483	Gasket	1
	14 9010485	Cover	1

① Serial Number (005000–006168)

② Serial Number (006169–)

Fig. 4 - Front Cover and Oil Pan Group

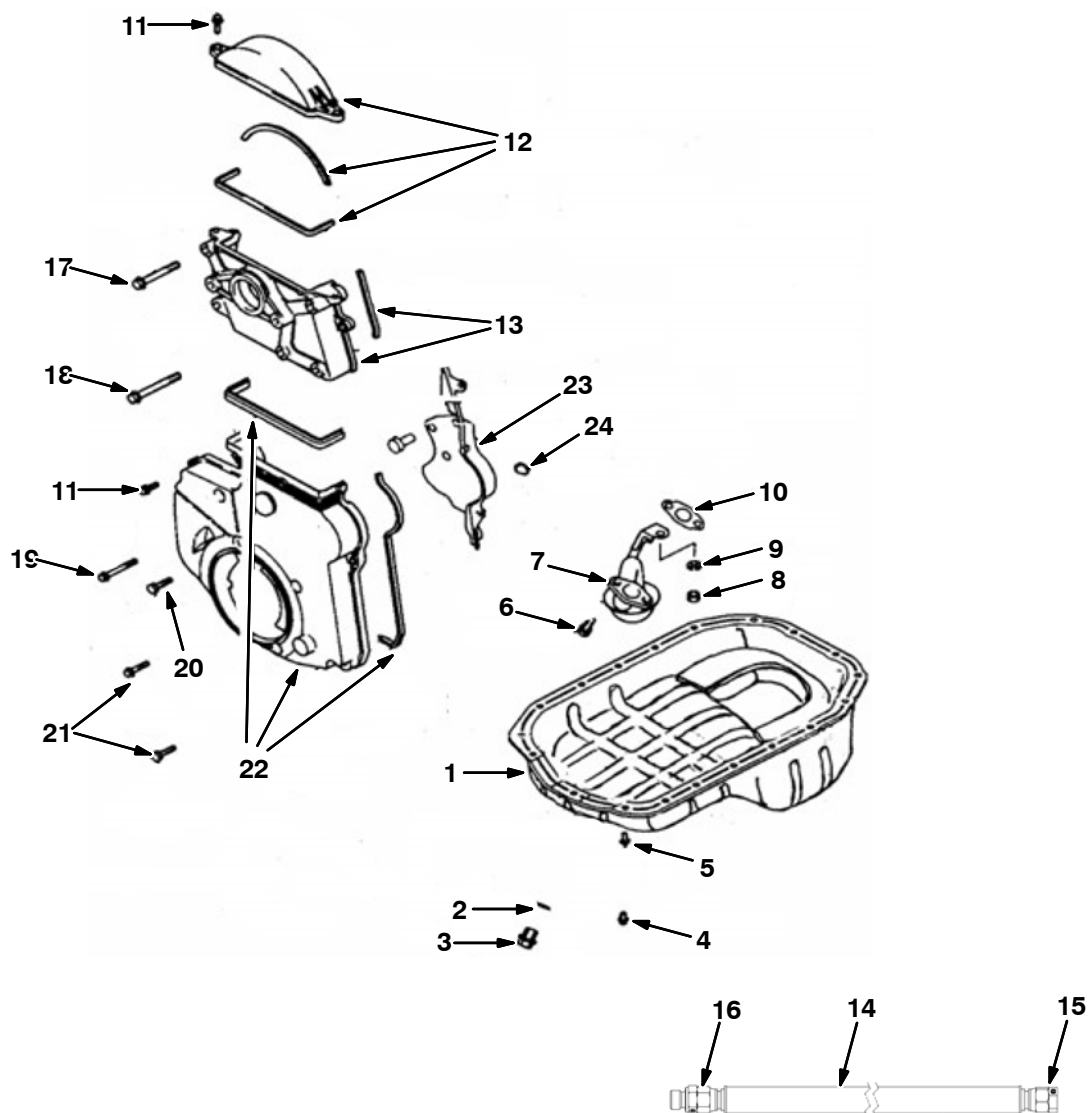


Fig. 4 – Front Cover and Oil Pan Group

	Ref.	Part No.	Description	Qty.
▽	1	9010487	Pan, Oil	1
▲	2	9010488	Gasket, Plug, Drain, Oil	1
▲	3	9010489	Plug, Oil, Drain	1
	4	9010490	Bolt, Flange	17
	5	9010491	Bolt, Flange	2
	6	9010492	Washer, Bolt	2
	7	9010493	Screen, Oil	1
	8	9010494	Nut, Strainer	1
	9	9010495	Washer, Strainer	1
	10	9010496	Gasket, Screen	1
	11	9010497	Bolt, Flange	8
	12	9010498	Cover Assy, Front, Upper [T-Belt]	1
	13	9010502	Bracket Assy, Coil, Ignition	1
	14	9010311	Hose, Drain, Oil [Mit 20/24m]	1
	15	9010312	Plug, Flare, 37deg [Mit]	1
	16	9010313	Fitting, 37deg [Mit]	1
	17	9010503	Bolt, Flange	3
	18	9010504	Bolt, Flange	1
	19	9010505	Bolt, Flange	1
	20	9010506	Bolt	2
	21	9010507	Bolt	2
	22	9010508	Cover, Lower, Front [T-Belt]	1
	23	9010511	Cover, Rear [T-Belt]	1
	24	9010512	Plug, Rubber	1

Fig. 5 - Camshaft and Valve Group

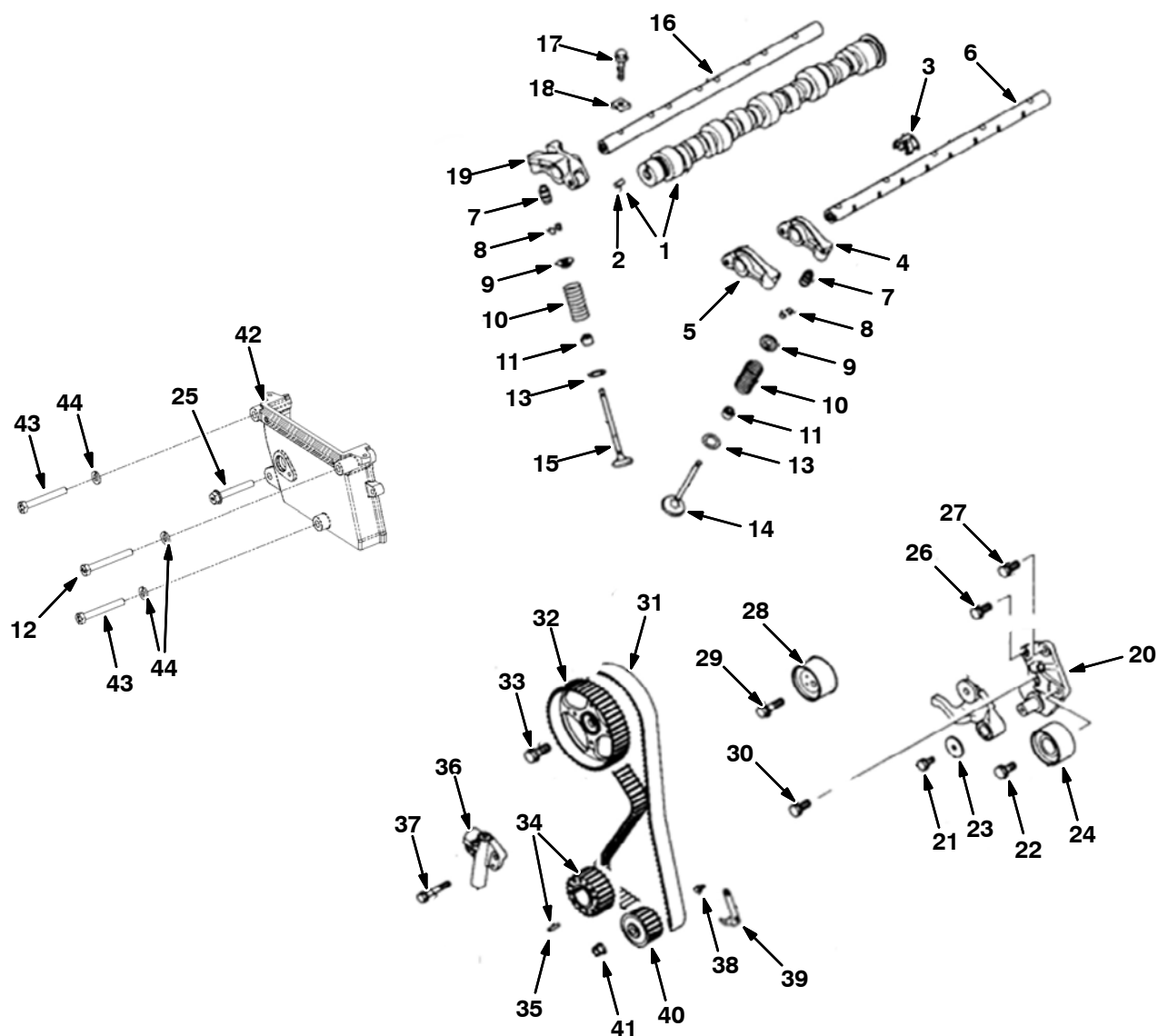
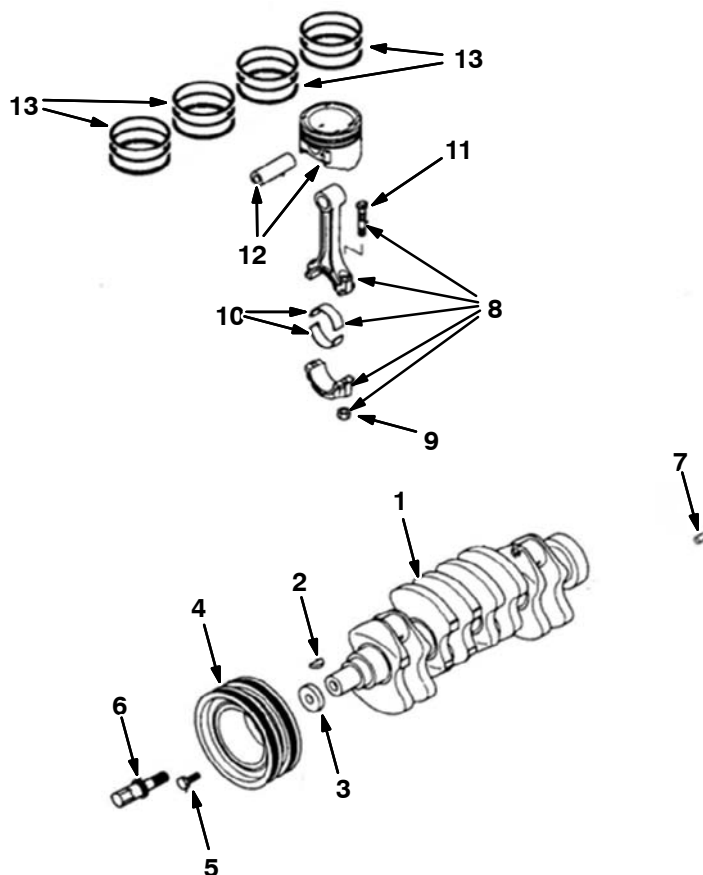


Fig. 5 – Camshaft and Valve Group

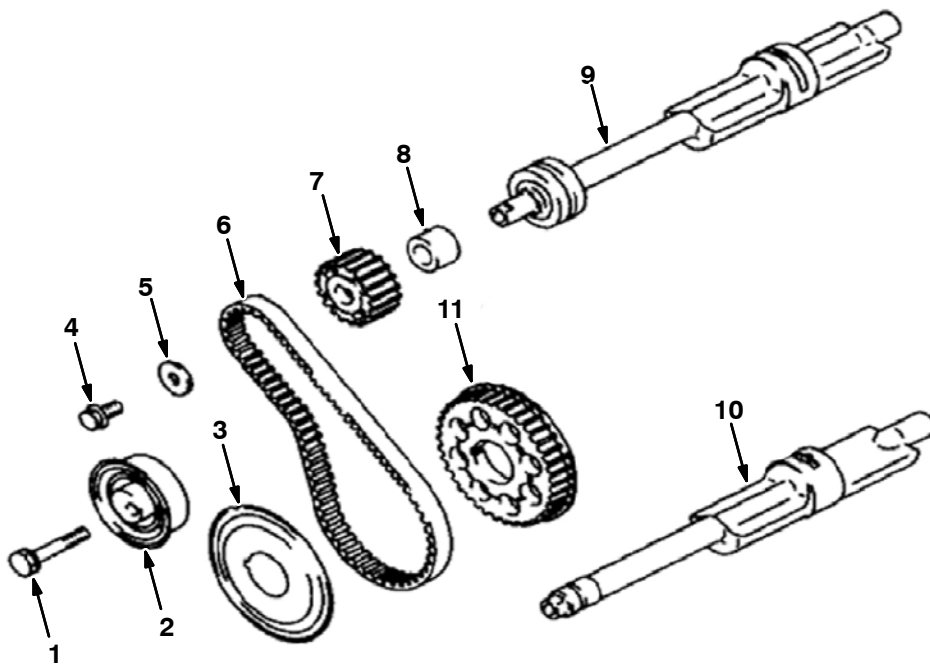
	Ref.	Part No.	Description	Qty.
▽	1	9010530	Camshaft Assy	1
▲	2	9010535	Pin, Dowel	1
	3	9010532	Shaft, Spring, Rocker	4
	4	9010533	Arm Assy, Rocker [B]	4
	5	9010534	Arm Assy, Rocker [A]	4
	6	9010531	Shaft, Arm , Rocker	1
	7	9010536	Adjuster Assy, Lash	16
	8	9010537	Valve, Spring, Lock	32
	9	9010538	Valve, Spring, Retainer	16
	10	9010539	Valve, Spring	16
	11	9010540	Valve, Seal, Stem	16
	12	9010253	Bolt, M8-1.25 X 70 Hxhd [Mit]	1
	13	9010541	Valve, Spring, Seat	16
	14	9010542	Valve, Inlet	8
	15	9010543	Valve, Exhaust	8
	16	9010544	Shaft, Arm, Rocker	1
	17	9010545	Bolt, Flange	13
	18	9010546	Shaft, Cap, Rocker	13
	19	9010547	Arm Assy, Rocker [C]	4
▽	20	9010548	Bracket, Pulley, Tensioner	1
▲	21	9010549	Bolt, Washer	1
▲	22	9010550	Bolt, Washer	1
▲	23	9010551	Washer	1
▲	24	9010552	Pulley, Idler	1
	25	9010254	Bolt, M8-1.25 X 55 Fi Hd [Mit]	1
	26	9010554	Bolt, Seal	1
	27	9010555	Bolt, Washer	1
	28	9010556	Pulley, Tensioner	1
	29	9010557	Bolt, Washer	1
	30	9010550	Bolt, Washer	1
	31	9010559	Belt, Timing	1
	32	9010560	Sprocket, Camshaft	1
	33	9010561	Bolt, Flange	1
▽	34	9010562	Sprocket Assy, Cshft	1
▲	35	9010563	Pin, Spring	1
	36	9010564	Tensioner	1
	37	9010565	Bolt, Flange	2
	38	9010491	Bolt, Flange	2
	39	9010567	Bracket, Indicator, Timing	1
	40	9010568	Sprocket, Pump, Oil	1
	41	9010569	Nut	1
	42	9010250	Cover, Timing, Gear [Mit 2.0/2.4]	1
	43	9010251	Bolt, M8-1.25 X 65 Hxhd [Mit]	2
	44	9010252	Washer, Lock, M8 [Mit]	3

Fig. 6 – Piston and Crankshaft Group



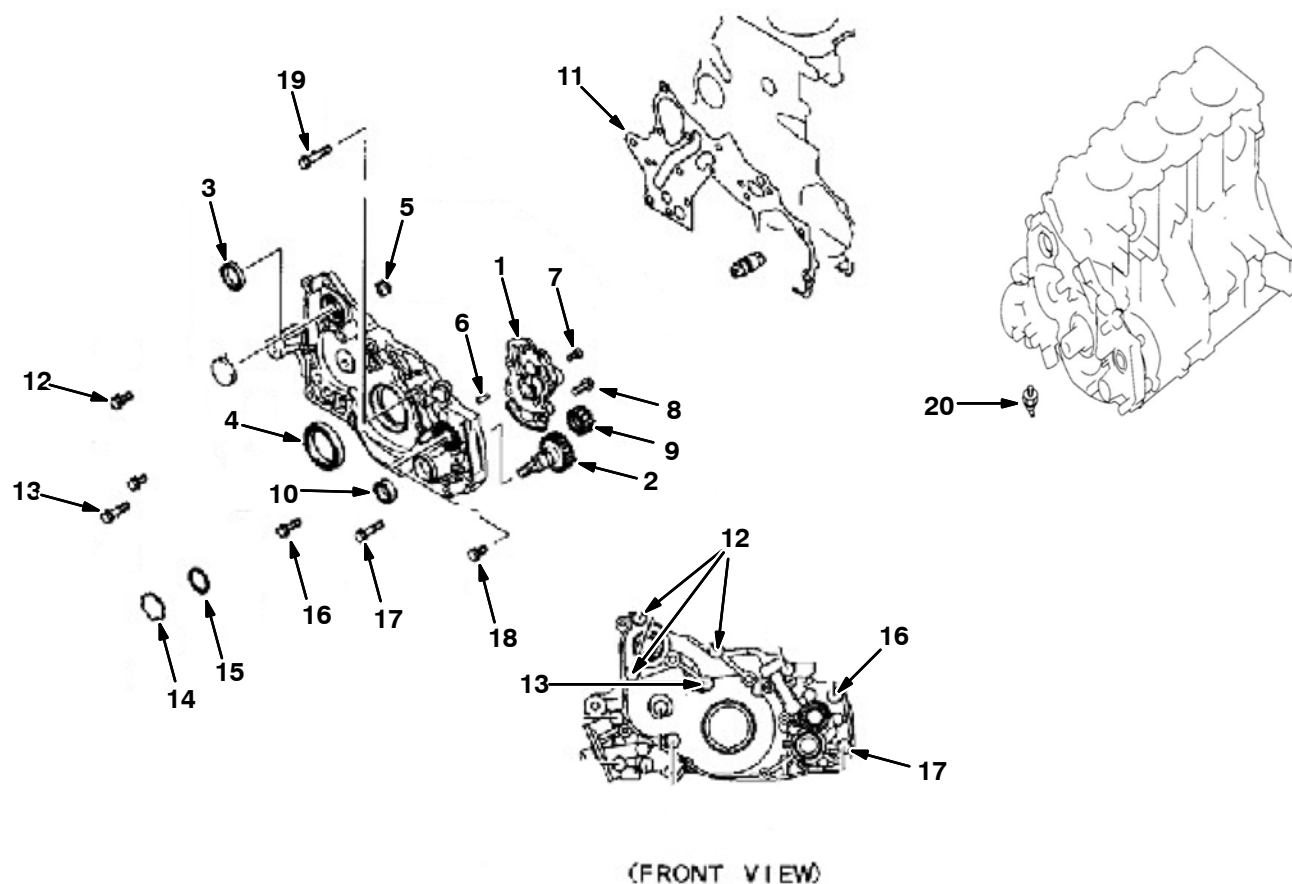
Ref.	Part No.	Description	Qty.	
1	9010513	Crankshaft Assy	1	
2	9010514	Key	1	
3	9010515	Washer, Special	1	
4	9010516	Pulley Assy, Damper, Torsional	1	
5	9010517	Bolt, Washer	4	
6	9010518	Bolt, Sprocket, Cshft	1	
7	9010519	Pin, Dowel	1	
▽	8	9010520	Rod Assy, Connecting	4
▲	9	9010521	Nut	8
▲	10	9010522	Bearing, Rod, Connect [Yellow Std]	4
▲	10	9010523	Bearing, Rod, Connect [No Color Std]	4
▲	10	9010524	Bearing, Rod, Connect [Lan Std]	4
▲	11	9010525	Bolt, Connecting	8
12	9010526	Piston, Pin [Std A]	4	
12	9010527	Piston, Pin [Std B]	4	
12	9010528	Piston, Pin [Std C]	4	
13	9010529	Piston Set, Ring	1	

Fig. 7 – Balancer Group



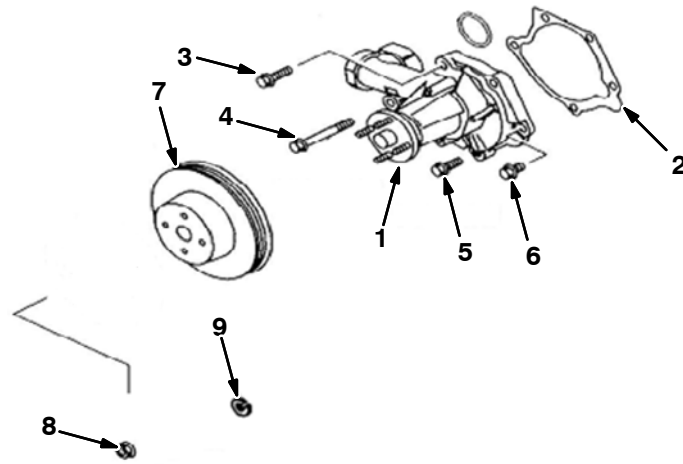
Ref.	Part No.	Description	Qty.
1	9010570	Bolt, Belt, Balancer, Train	1
2	9010571	Tensioner, Timing, Belt	1
3	9010572	Flange, Sprocket, Cshft	1
4	9010600	Bolt, Flange	1
5	9010574	Washer, Belt, Balancer, Train	1
6	9010575	Belt, Timing	1
7	9010576	Sprocket, Shaft, Balancer	1
8	9010577	Spacer, Belt, Balancer, Train	1
9	9010578	Shaft, Right, Balancer	1
10	9010579	Shaft, Left, Balancer	1
11	9010580	Sprocket, Cshft	1

Fig. 8 – Oil Pump and Pressure Switch Group



Ref.	Part No.	Description	Qty.	
▽	1	9010582	Pump, Oil	1
▲	2	9010592	Pump, Gear, Drive, Oil	1
▲	3	9010585	Seal, Oil	1
▲	4	9010586	Seal, Oil	1
▲	5	9010587	Plug, Tapper	1
▲	6	9010426	Pin, Dowel	2
▲	7	9010589	Screw	1
▲	8	9010590	Bolt, Flange	4
▲	9	9010591	Pump, Gear, Oil	1
▲	10	9010601	Seal, Oil	1
	11	9010593	Gasket, Case, Front	1
	12	9010594	Bolt, Washer	3
	13	9010595	Bolt, Washer	1
	14	9010596	Plug, Cap	1
	15	9010597	O-Ring	1
	16	9010598	Bolt, Flange	1
	17	9010599	Bolt, Flange	1
	18	9010600	Bolt, Flange	1
	19	9010583	Bolt, Flange	1
	20	9010259	Sender, Oil, Press [Mit] (3 Prong)	1

Fig. 9 – Water Pump Group



Ref.	Part No.	Description	Qty.
1	9010602	Pump, Water	1
2	9010603	Gasket, Pump, Water	1
3	9010604	Bolt, Flange	1
4	9010503	Bolt, Flange	1
5	9010606	Bolt, Flange	2
6	9010607	Bolt, Flange	1
7	9010612	Pulley, Pump, Water	1
8	9010609	Nut, Flange	4
9	9010610	Washer, Spring	4

Fig. 10 - Intake Manifold Gasket Group

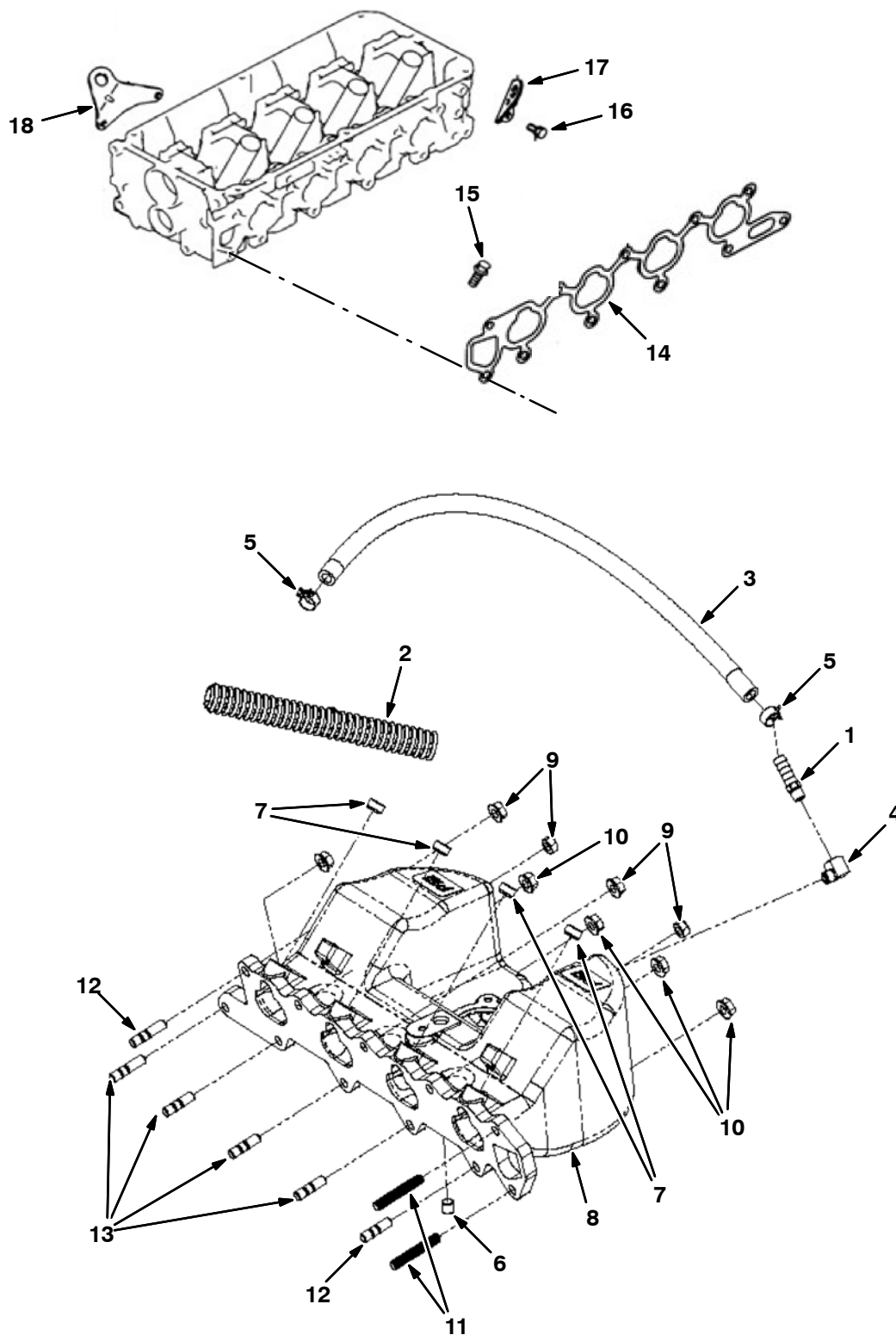
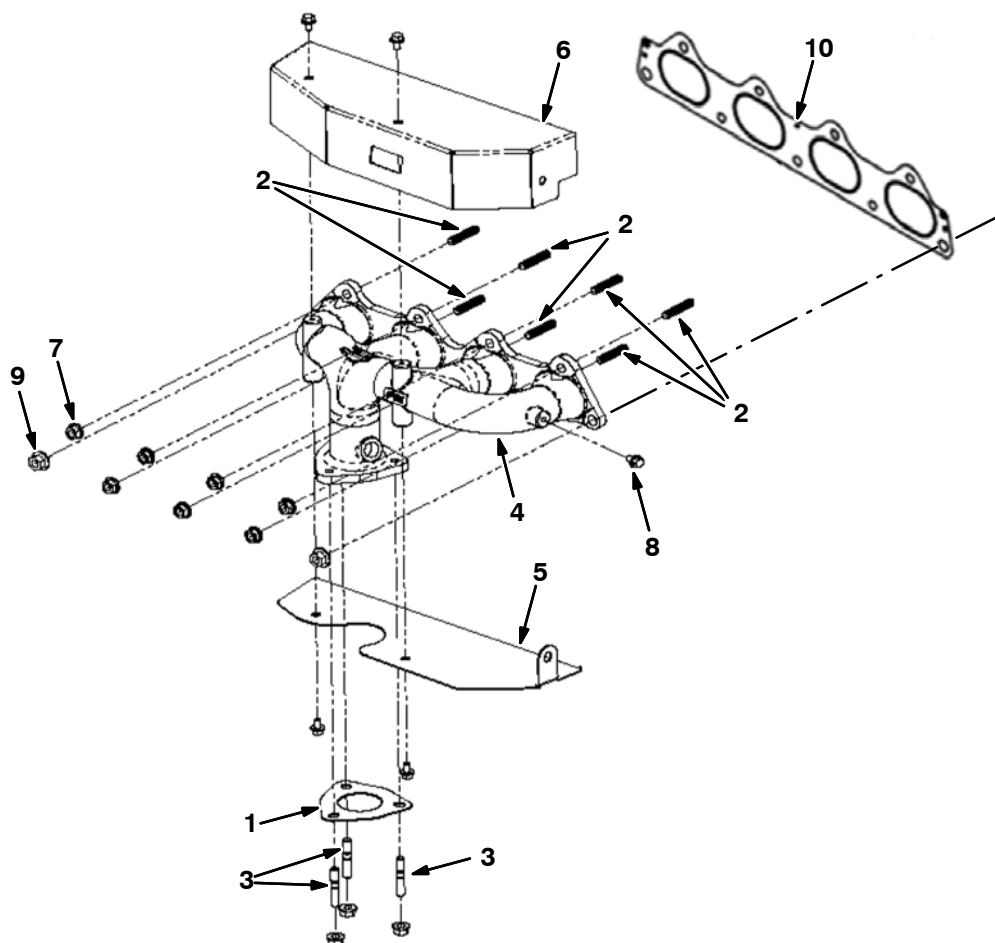


Fig. 10 – Intake Manifold Gasket Group

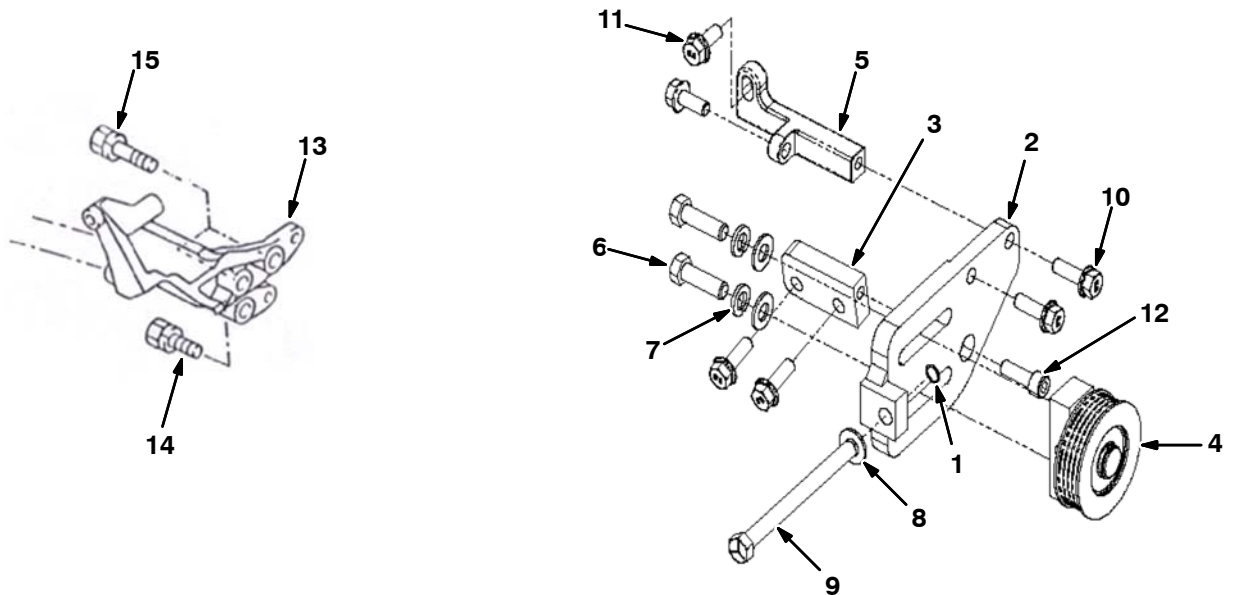
Ref.	Part No.	Description	Qty.
1	9010382	Fitting, 1/8 Mpt X 3/8 Hb [Mit]	1
2	9010281	Loom, Convolute, Split 5/8 [Mit]	17"
3	385001	Hose, Fuel, .38d, Rbr[16"L]	20"
4	9010383	Elbow, 1/8m X 1/8f, 90 [Mit]	1
5	9010282	Clamp, 3/8id [Mit Olive Green]	2
6	9010283	Plug, 1/8 Npt, Brs, Skt Hd [Mit]	1
7	9010284	Plug, Injector [Mit]	4
8	9010285	Manifold, Intake [Mit 20/24m Tilt]	1
9	9010286	Nut, M8-1.25 [Mit]	2
10	385015	Nut, Flng, M8	7
11	9010287	Stud, M8-1.25 X 50 Full Thrd [Mit]	2
12	9010288	Stud, M8-1.25 X 35 [Mit Double End]	2
13	9010384	Stud, M8-1.25 X 30 [Mit Double End]	4
14	9010613	Gasket, Manifold, Intake	1
15	9010606	Bolt, Flange	2
16	9010615	Bolt, Manifold, Inlet	1
17	9010617	Hanger, Engine	1
18	9010618	Hanger, Engine	1

Fig. 11 - Exhaust Manifold Gasket Group



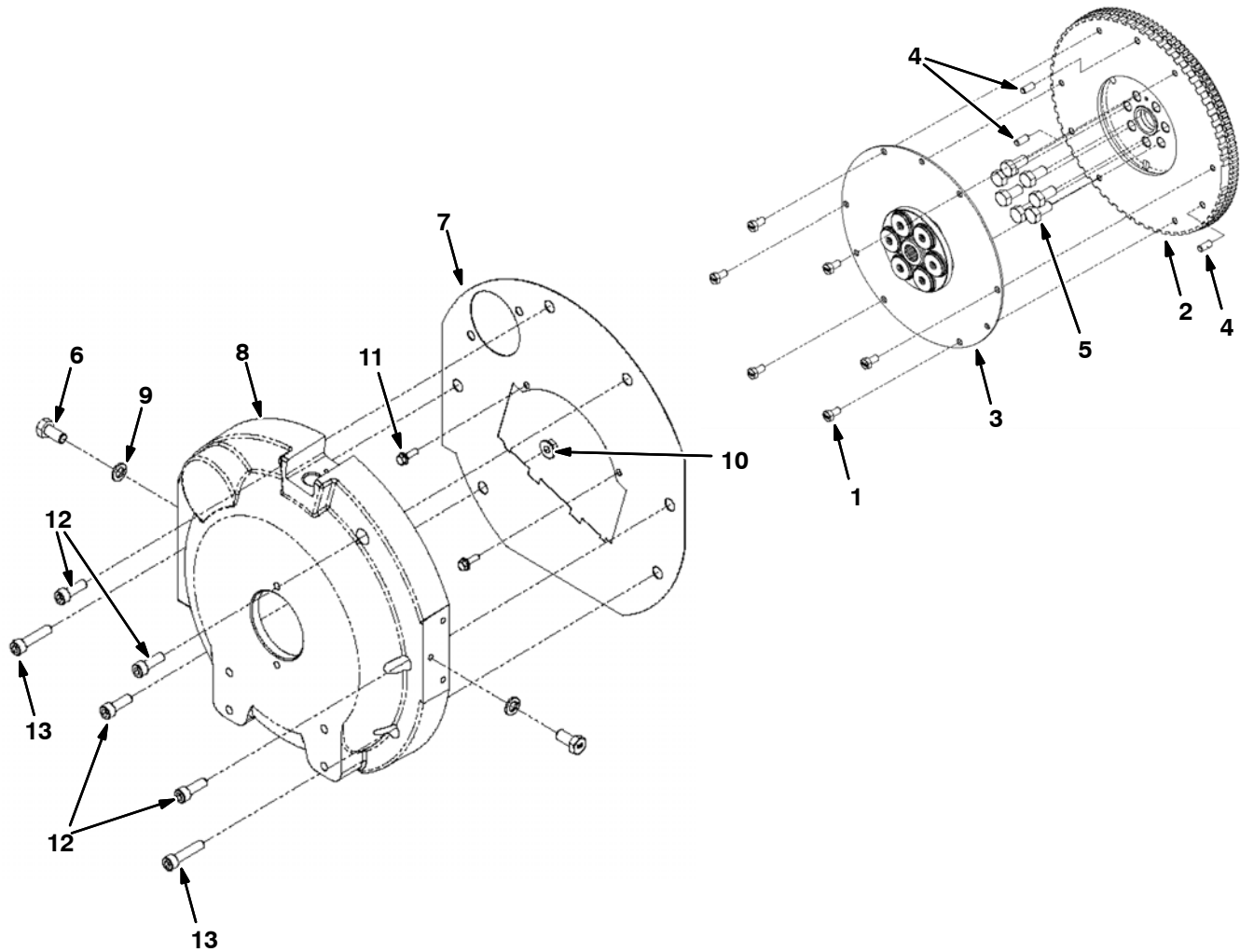
Ref.	Part No.	Description	Qty.
1	9010296	Gasket, Manifold, Exh [Mit]	1
2	9010297	Stud, M8-1.25 X 40 [Mit]	7
3	372020	Stud, Manifold, Intake, M8 X 28	3
4	9010298	Manifold, Exhaust [Mit 2.0/2.4]	1
5	9010302	Shield, Heat, Lower [Mit 20/24m]	1
6	9010303	Shield, Heat, Upper [Mit 20/24m]	1
7	385015	Nut, Flng, M8	10
8	9010262	Bolt, M6-1.0 X 10 Fl Hd [Mit]	5
9	9010239	Nut, M10-1.25 Flg [Mit]	2
10	9010619	Gasket, Manifold, Exhaust	1

Fig. 12 – Fan Tensioner and Pump Mount Group



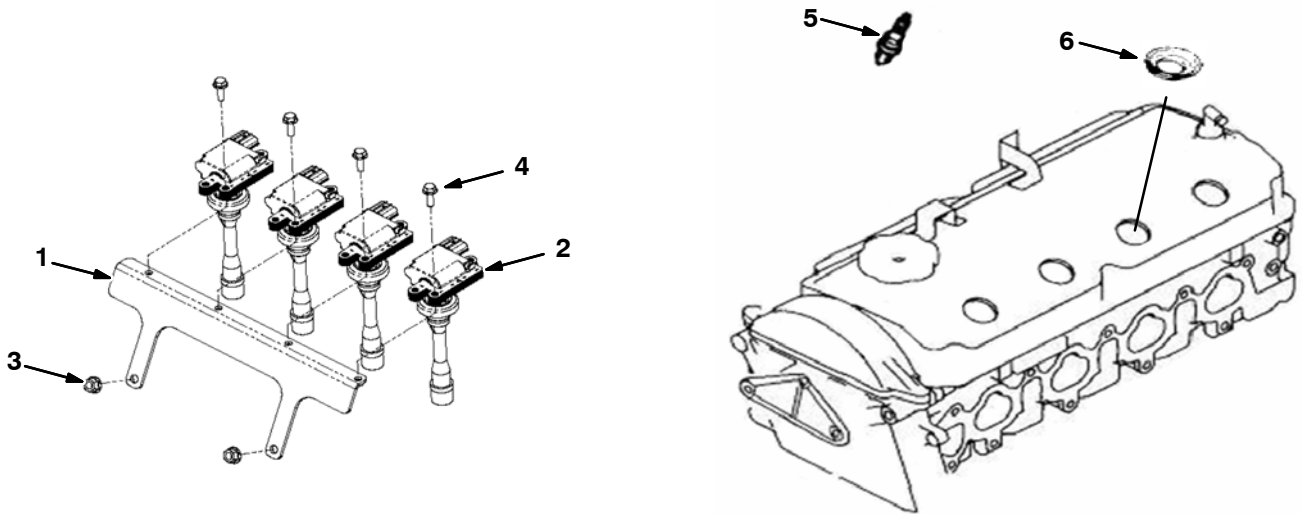
Ref.	Part No.	Description	Qty.
1	371562	Ring, Retaining	1
2	9010222	Plate, Tensioner, Adj [Mit 2.0/2.4]	1
3	9010223	Bar, Tensioner, Mtg [Mit 2.0/2.4]	1
4	9010224	Pulley, Tensioner, Assy[Mit2.0/2.4]	1
5	9010225	Bracket, Tensioner, [Mit 2.0/2.4]	1
6	9010226	Bolt, 3/8-16 X 1 1/4 Hxhd [Mit]	2
7	371509	Washer, Lock, 0.38	2
8	9010227	Washer, Flat 3/8, Sae	3
9	9010228	Bolt, 3/8-16 X 4.5 [Mit]	1
10	9010229	Bolt, M8-1.25 X 25 [Mit]	4
11	9010230	Bolt, M8-1.25 X 20 Fl Hd [Mit]	2
12	9010231	Bolt, M8-1.25 X 25 Soc Hd [Mit]	1
13	9010623	Bracket, Pump, Mtg	1
14	9010624	Bolt, Washer	1
15	9010625	Bolt, Washer	2

Fig. 13 – Flywheel Group



Ref.	Part No.	Description	Qty.
1	9010232	Bolt, M8-1.25 X 15, Hx Hd [Mit]	6
2	9010233	Flywheel, Flatface [Mit 20/24m]	1
3	9010234	Coupling, Flywheel [Mit20/24m]	1
4	9010235	Pin, Flywheel [Mit 20/20m]	3
5	9010236	Bolt, Flywheel [Mit 20/24m]	7
6	9010359	Bolt, M12-1.75 X 25, Hex Hd [Mit]	2
7	9010237	Cover, Dust [Mit 2.0]	1
8	9010238	Housing, Flywheel [Mit 2.0]	1
9	9010360	Washer, Lock, M12 [Mit]	2
10	9010239	Nut, M10-1.25 Flg [Mit]	1
11	9010240	Bolt, M6-1.0 X 20 Fl Hd [Mit]	2
12	9010241	Bolt, M10-1.25 X 30 Soc Hd [Mit]	4
13	9010242	Bolt, M10-1.25 X 45 Soc Hd [Mit]	2

Fig. 14 – Ignition Coil and Spark Plug Group

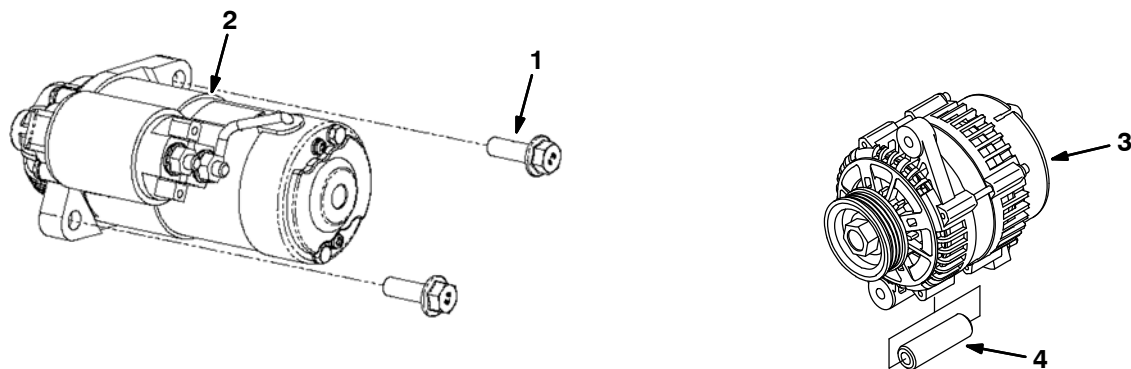


Ref.	Part No.	Description	Qty.
1	9010243	Bracket, Coil [Mit 2.0/2.4]	1
2	9010244	Coil, Ignition [Mit 2.0/2.4]	4
3	385015	Nut, Flng, M8	2
4	9010240	Bolt, M6-1.0 X 20 Fl Hd [Mit]	4
5	9010622	① Plug, Spark [Torch K6rf-11 14mm]	4
5	9014160	② Plug, Spark [Mitsubishi 2015 12mm]	4
6	9010479	Seal, Oil	4

① Serial Number (005000-006168)

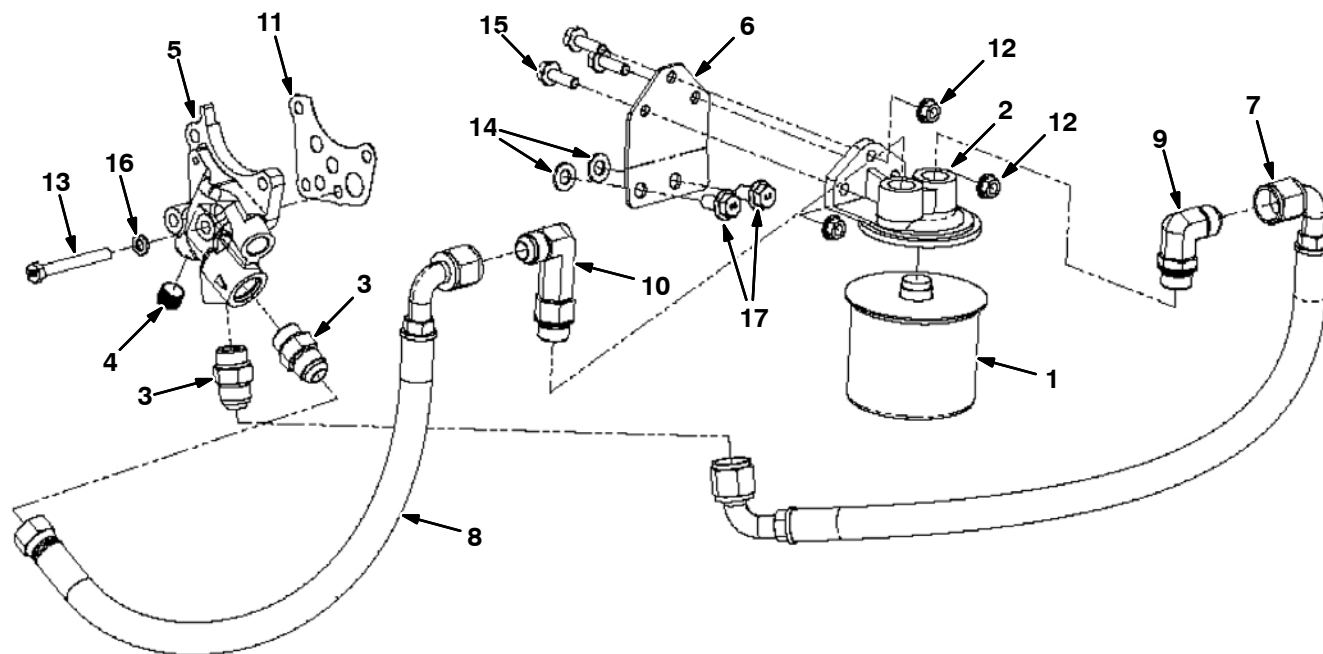
② Serial Number (006169-)

Fig. 15 – Starter / Alternator Group



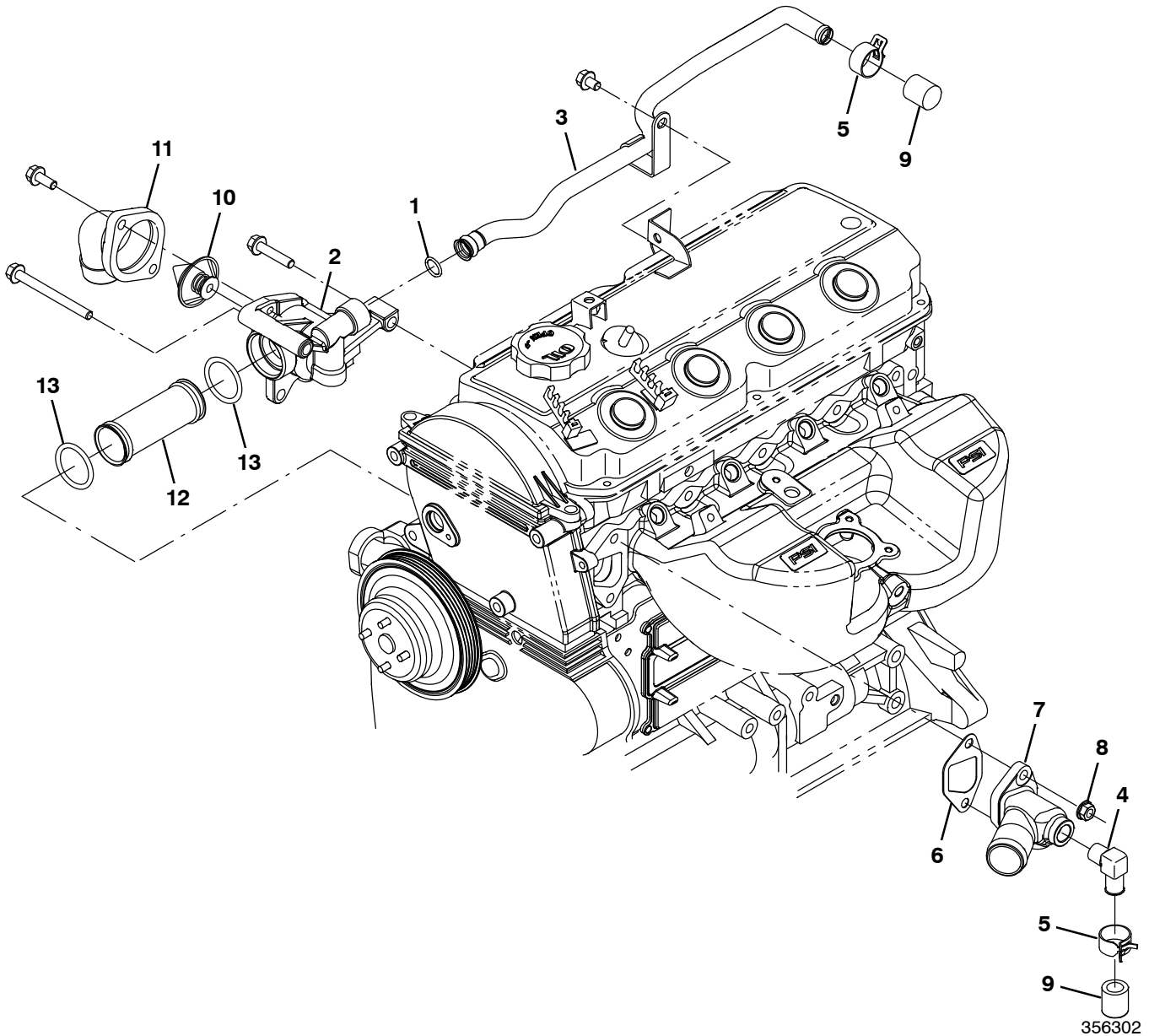
Ref.	Part No.	Description	Qty.
1	9010245	Bolt, M10-1.50 X 30 [Mit]	2
2	9010246	Starter, Motor [Mit 2.0/2.4]	1
3	9010217	Alternator, 7si [Mit Df Sur-Belt]	1
4	9010219	Spacer, Alternator [Mit 2.0/2.4]	1

Fig. 16 - Remote Oil Filter Group



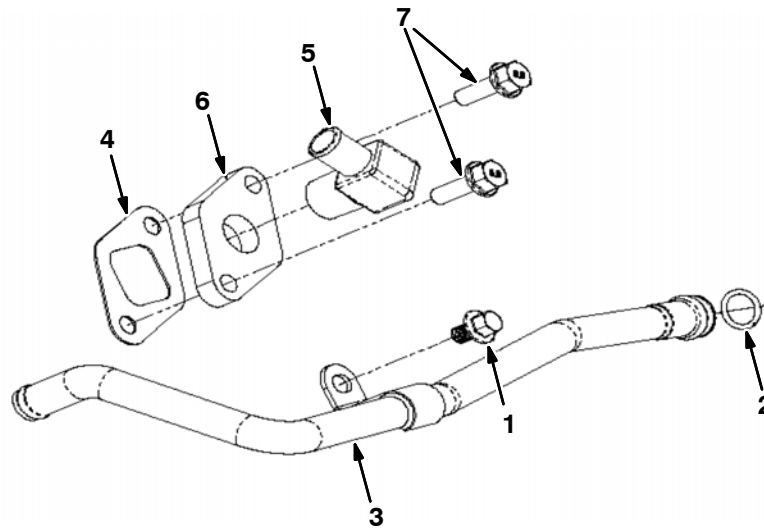
Ref.	Part No.	Description	Qty.
1	393982	Element, Fltr, Oil, Spin-On (Mits)	1
2	371503	Mount, Fltr, Remote	1
3	9010371	Fitting, Str, 10-10 Orb, 37fi [Mit]	4
4	9010372	Plug, 3/8npt X 5/16, Brs [Mit]	1
5	9010373	Adapter, Filter, Oil, Remote [Mit]	1
6	9010374	Bracket, Filter, Oil, Remote [Mit]	1
7	9010375	Hose, 90x90,Filter, Oil, Remote[Mit]	1
8	9010376	Hose, 90xstr,Fltr, Oil, Remote[Mit]	1
9	9010628	Elbow	1
10	9010629	Elbow	1
11	9010377	Gasket, Oil, Adapter [Mit 2.0/2.4]	1
12	385015	Nut, Flng, M8	3
13	9010253	Bolt, M8-1.25 X 70 Hxhd [Mit]	1
14	9010630	Washer	2
15	9010229	Bolt, M8-1.25 X 25 [Mit]	3
16	9010380	Washer, Lock, M8 [Mit]	1
17	9010631	Bolt	2

Fig. 17 – Coolant Group



Ref.	Part No.	Description	Qty.
1	9010289	O-Ring [Mit 208 Buna-N]	1
2	9010290	Housing, T-Stat, 2 Holes [Mit]	1
3	9010291	Tube, Water, Line [Mit]	1
4	385011	Fitting, E90	1
5	384979	Clamp, Hose, Spring, 0.62d	2
6	9010632	Gasket, Outlet	1
7	9010294	Outlet, Water, W/Plug [Mit 2.0/2.4l]	1
8	385015	Nut, Flng, M8	2
9	9010295	Cap, Rubber, 5/8id [Mit 2.0/2.4l]	2
10	9010905	Thermostat Kit, Coolant, Replmt [Mitsub]	1
11	9010215	Housing, Thermostat	1
12	9010910	Tube, Pump, Water	1
13	9013530	Seal, Tube, Water [Mit 2.0l]	2

Fig. 18 - DSR Coolant Group, LPG Engine



Ref.	Part No.	Description	Qty.
1	9010305	Bolt, M8-1.25 X 12 [Mit]	1
2	9010289	O-Ring [Mit 208 Buna-N]	1
3	9010306	Tube, Cooling, Line [Mit]	1
4	9010307	Gasket, Water Supply [Mit 2.0/2.4]	1
5	9010308	Fitting, 1/2 Mpt X 5/8bh 90deg [Mit]	1
6	9010309	Plate, Water, Outlet [Mit Bypass]	1
7	9010310	Bolt, M8-1.25 X 25 Flg Hd [Mit]	2

Fig. 19 - Electrical Group

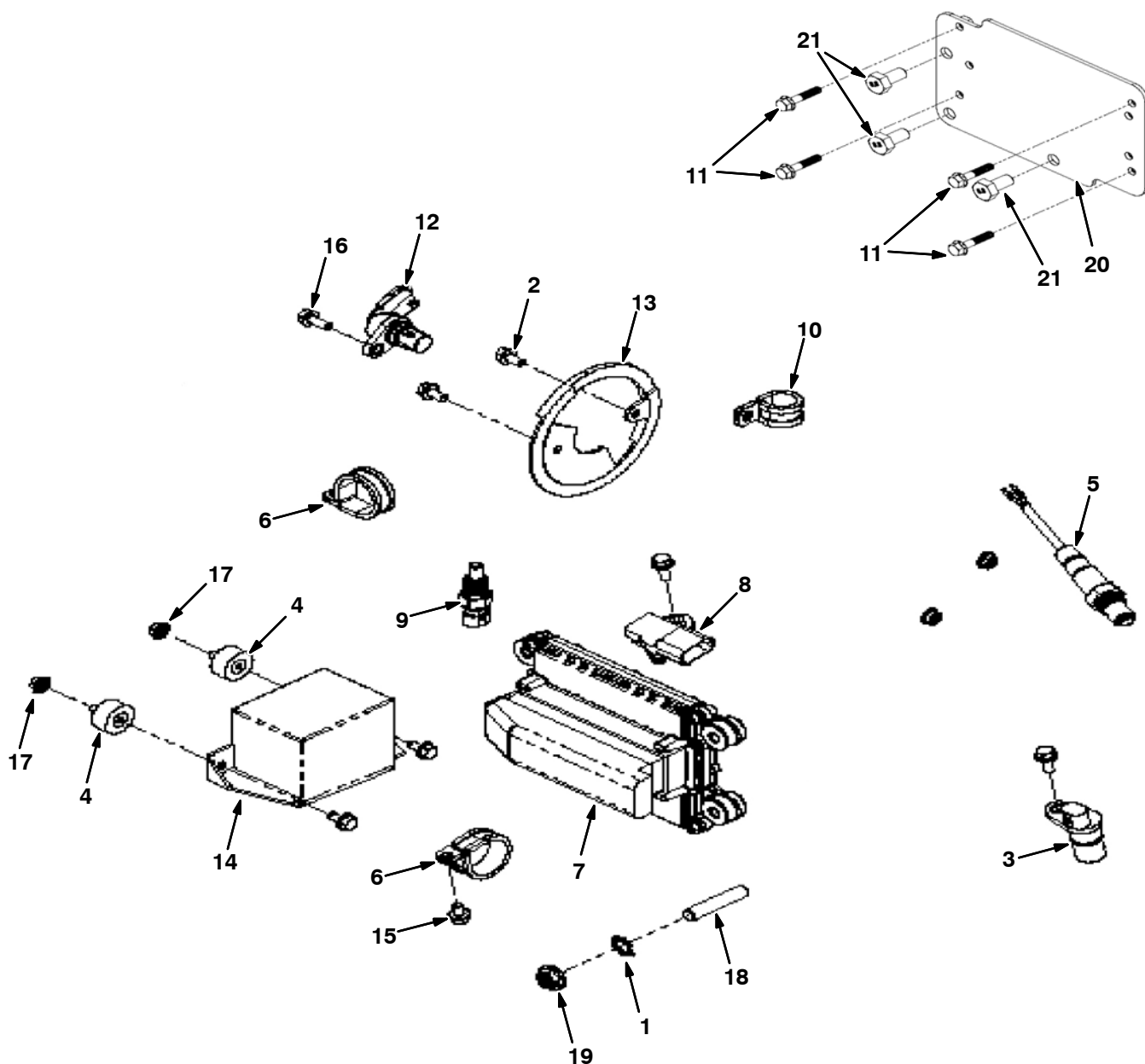
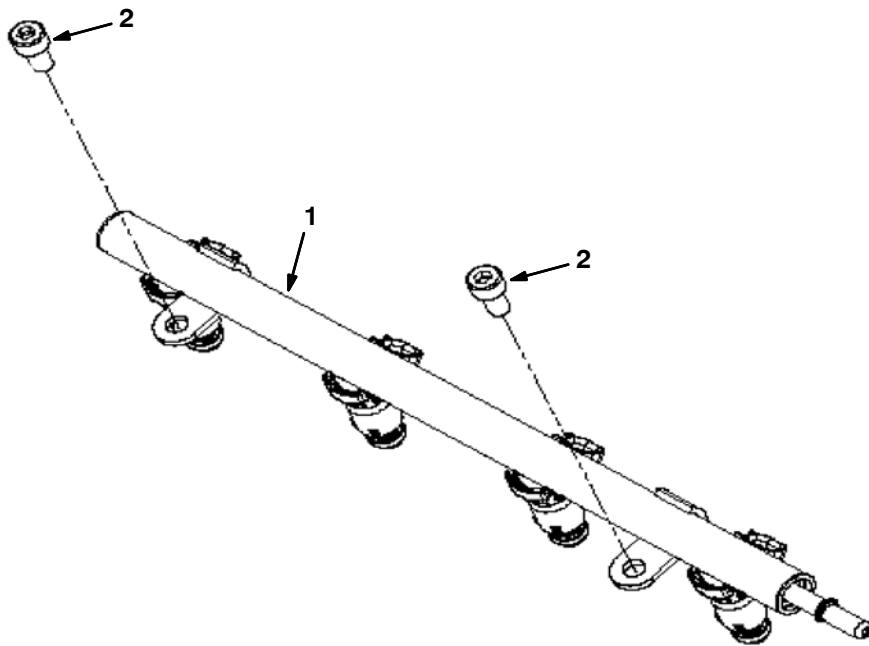


Fig. 19 – Electrical Group

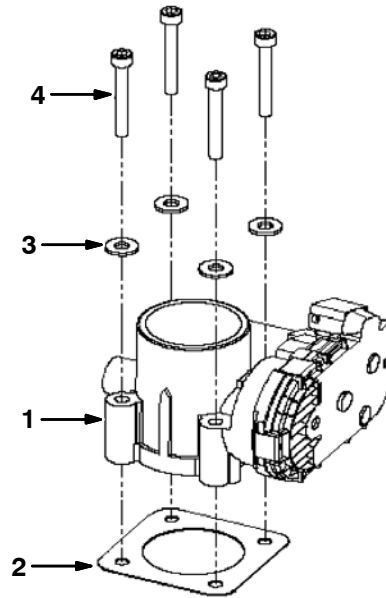
Ref.	Part No.	Description	Qty.
1	9010255	Washer, Star, M10 [Mit]	1
2	9010256	Bolt, M6-1.0 X 12 FI Hd PI [Mit]	2
3	372492	Sensor, Spd, Timing Wheel [3.0l]	1
4	9008805	Isolator	2
5	1028558	Sensor, Exhaust, Tailpipe	1
6	9010257	Clamp, 1/4 Hole [Mit #20]	2
7	1071397	Module, Ecu, Gas [Mit 2.0l 2013]	1
7	1071398	Module, Ecu, Lpg [Mit 2.0l 2013]	1
8	372493	Sensor [Tmap]	1
9	372891	Sensor, Temp, Coolant	1
10	9010258	Clamp, 0.75d [Mit]	1
11	9010249	Bolt, M6-1.0 X 30 FI Hd [Mit]	4
12	9010260	Sensor, Camshaft [Mit]	1
13	9010261	Cam, Sensor, Wheel [Mit 2.0/2.4l]	1
14	1071653	Harness, Wire, Eng, Gas [Mit, 2.0l]	1
14	1071654	Harness, Wire, Eng, Lpg [Mit, 2.0l]	1
15	9010262	Bolt, M6-1.0 X 10 FI Hd [Mit]	3
16	9010263	Bolt, M6-1.0 X 16 FI Hd [Mit]	3
17	9010264	Nut, M6-1.0 Flange [Mit]	4
18	9010366	Stud, M10-1.25 X 50, Full Thrd [Mit]	1
19	9010367	Nut, M10-1.25, Hx Flg [Mit]	1
20	9010247	Plate, Mtg, Ecu [Mit 2.0/2.4l]	1
21	9010248	Bolt, M10-1.25 X 20 Hxhd [Mit]	3

Fig. 20 - Fuel Rail Group, Gasoline Engine



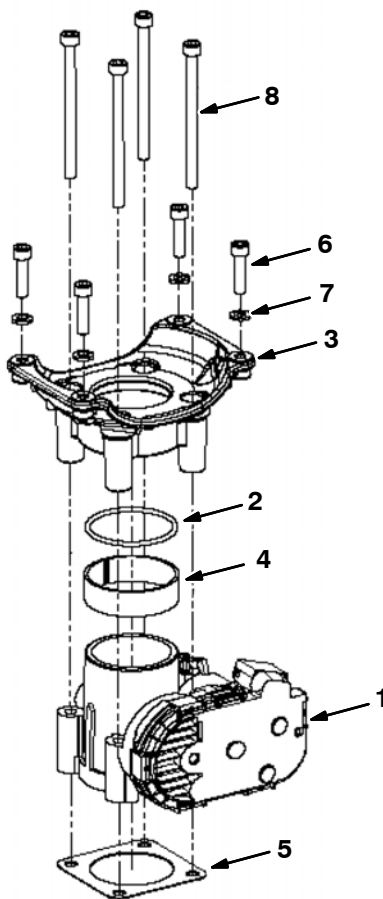
Ref.	Part No.	Description	Qty.
1	9010306	Tube, Cooling, Line [Mit]	1
2	9010327	Bolt, M8-1.25 X 16, Soc Hd [Mit]	2

Fig. 21 – Throttle Body Group, Gasoline Engine



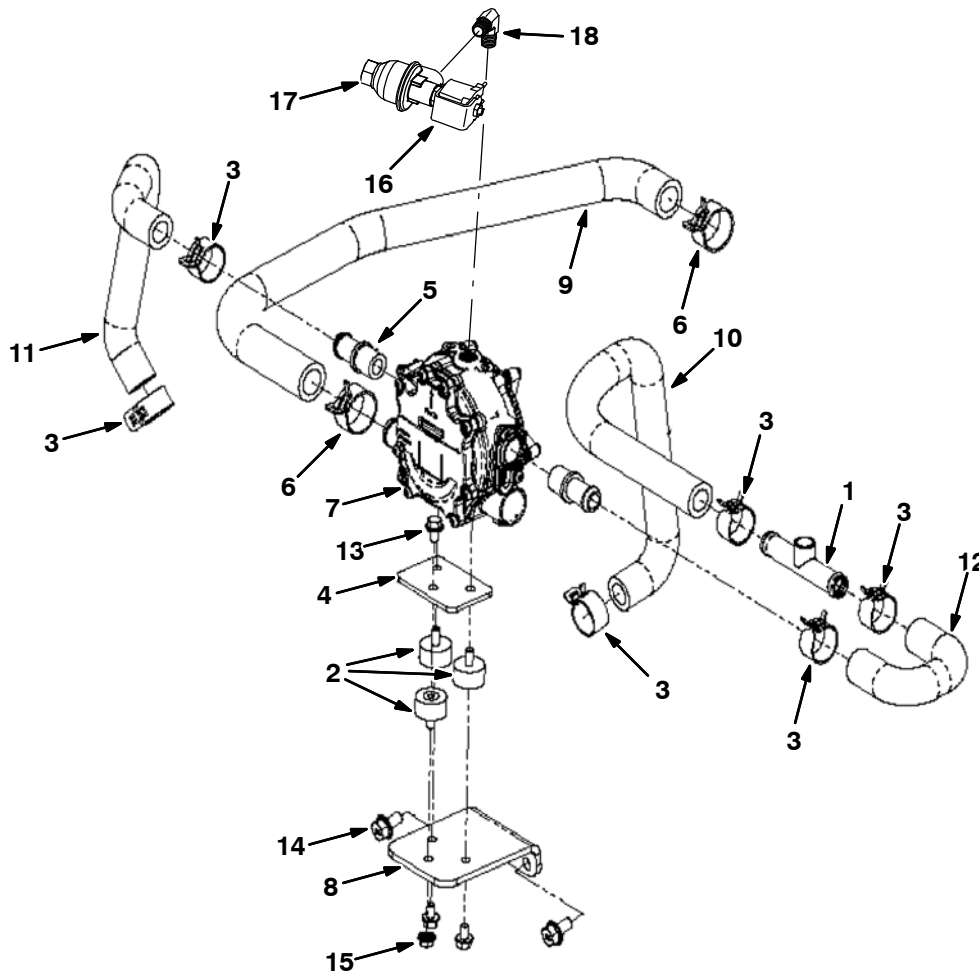
Ref.	Part No.	Description	Qty.
1	9010266	Actuator [Mit , Bosch]	1
2	9010268	Gasket, Throttle [Mit 40mm]	1
3	9010330	Washer, 1/4 Flat [Mit]	4
4	9010331	Bolt, M6-1.0 X 45, Skt Hd [Mit]	4

Fig. 22 – Throttle Body Group, LPG Engine



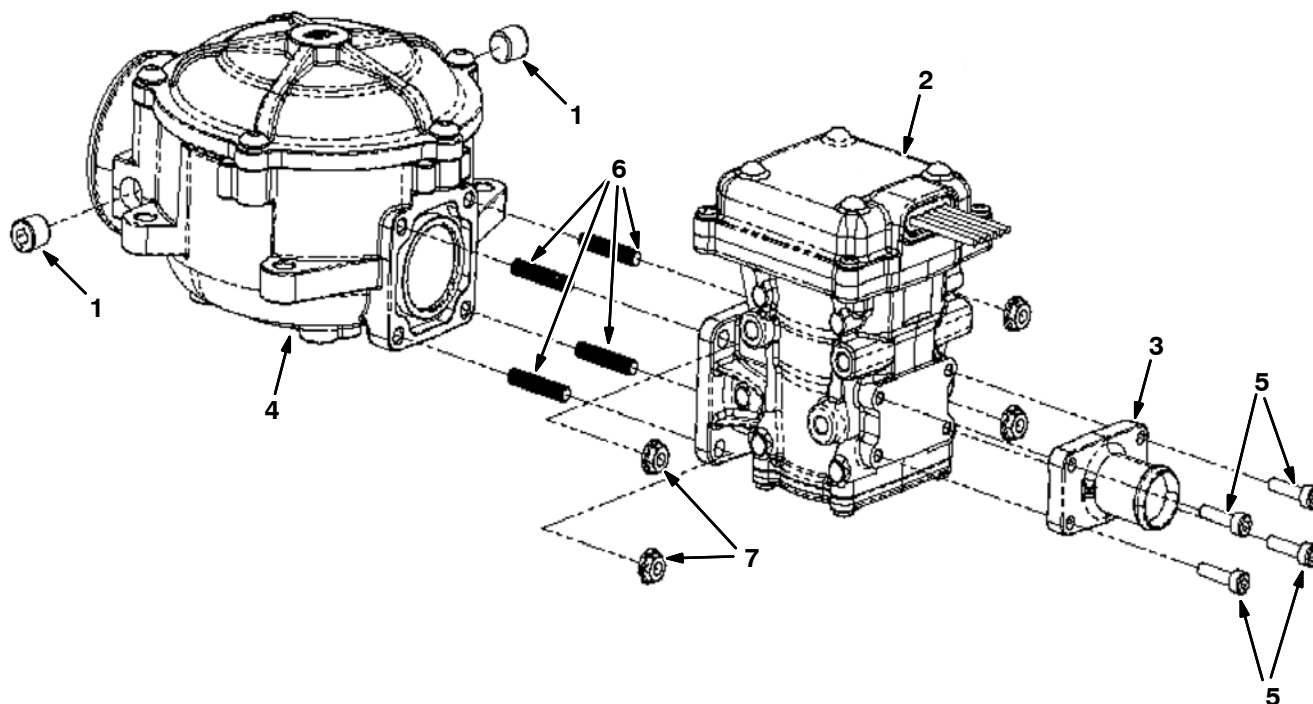
Ref.	Part No.	Description	Qty.
1	9010266	Actuator [Mit , Bosch]	1
2	1037311	Seal, Org, Lpg, Mixer	1
3	9006619	Adapter	1
4	9010267	Spacer, Ring, Throttle [Mit 40mm]	1
5	9010268	Gasket, Throttle [Mit 40mm]	1
6	9010269	Bolt, M6-1.0 X 25 Soc Hd [Mit]	4
7	9010270	Washer, Lock, M6 [Mit]	4
8	9010271	Bolt, M6-1.0 X 85 Soc Hd [Mit]	4

Fig. 23 – Vaporizer Group, LPG Engine



Ref.	Part No.	Description	Qty.
	1	Hose Assy, Upper, Tap [Mit]	1
	2	Isolator	3
	3	Clamp, Hose, Spring, 0.62d	6
	4	Plate, Mtg [Epr]	1
	5	Fitting, 1/2 X 5/8 Hose, Plastic [Mit]	2
	6	Clamp, Tension [Mit #29]	2
▽	7	Regulator	1
▲	9010626	Repair Kit, Vaporizer	1
	8	Bracket, Vaporizer [Mit 20/24m Tilt]	1
	9	Hose, Fuel, Molded [Mit 20/24m]	1
	10	Hose, Coolant, Molded [Mit 20/24m]	1
	11	Hose, Coolant, Molded [Mit 20/24m]	1
	12	Hose, Coolant, Molded [Mit 20/24m]	1
	13	Bolt, M6-1.0 X 10 FI Hd [Mit]	3
	14	Bolt, M8-1.25 X 16 FI Hd [Mit]	2
	15	Nut, M6-1.0 Flange [Mit]	1
▽	16	Lock-Off, 12v, Lpg [Mit]	1
▲	17	Filter Kit, Fuelock, Lpg	1
	18	Fitting, 1/4mpt X 1/4mpt, 90deg [Mit]	1

Fig. 24 – Electronic Pressure Regulator (EPR) Group, LPG Engine



Ref.	Part No.	Description	Qty.
1	9010314	Plug, 1/8npt, Brs [Mit]	2
2	9008806	Regulator, Press, Electronic [Epr]	1
3	9008807	Fitting, Barb, 3/4" [Epr]	1
▽ 4	9006618	Mixer , Lpg	1
▲	9010634	Repair Kit, Mixer	1
5	9008808	Screw, Soc, M4 X 0.70 X 16	4
6	9007424	Stud, M05-0.8	4
7	9007423	Nut, Flng, M05-0.8	4

SECTION 7

CONTENTS	PAGE
PART NUMBER TO PAGE NUMBER CROSS REFERENCE LIST	7-2
PART DESCRIPTION TO PAGE NUMBER CROSS REFERENCE LIST	7-17

CROSS REFERENCE

PART NUMBER TO PAGE NUMBER CROSS REFERENCE LIST

Part Number	Page Number	Part Number	Page Number	Part Number	Page Number
IB3614	4-10	06943	2-27, 2-45, 2-49, 2-59, 2-81	08712	2-17, 2-55, 2-111, 2-113, 2-115, 2-117, 2-121, 2-123, 2-141, 2-143, 2-145, 3-3, 3-69, 3-79, 3-81
00500-15	4-8, 4-9, 4-11	06944	2-19	08713	2-55, 2-57, 2-59, 2-65, 2-81, 2-103, 2-105, 2-107, 2-109, 2-113, 2-117, 2-119, 2-121, 2-123, 2-125, 2-127, 2-131, 2-135, 2-139, 2-147, 2-151, 3-7, 3-13, 3-15
00927	2-105, 2-107	06946	2-31, 2-33, 2-39	08714	2-11, 2-125
00954	2-149	06949	2-89	08716	2-55, 2-57, 2-81, 2-111, 2-115, 2-121, 2-129, 2-133, 2-141, 2-143, 2-145, 3-3
00960	2-53, 2-79	06955	2-99, 2-139, 2-147	08875	2-135, 2-136
00966	4-10	06956	2-87, 2-89	09005	2-105, 2-107
01316	3-3, 3-83, 3-85	06960	2-21	09007	2-121, 2-129, 2-133, 2-145
01493	2-13	06961	2-53, 2-57	09010	2-65, 2-103, 2-105, 2-107, 2-115, 2-121, 2-123, 2-135, 2-139, 2-143, 2-147, 2-151, 3-7, 3-11, 3-15
01681	2-21	06962	2-63, 2-83, 3-71, 3-89	09011	2-117, 2-121, 2-151
01683	2-29, 2-35, 2-103, 3-3, 3-19, 3-25, 3-29, 3-33, 3-37, 3-41, 3-51, 3-55, 3-69, 3-83, 3-85	06965	3-89	09023	2-151
01684	2-6, 2-8, 2-111, 2-113, 2-115, 2-121, 2-123, 2-136, 2-141, 2-143, 2-145, 3-3, 3-33, 3-45, 3-69, 3-79, 3-81, 3-87	06968	2-67, 2-69	09028	2-109, 2-129, 2-133, 3-71
01685	2-55, 2-57, 2-59, 2-65, 2-81, 2-111, 2-113, 2-117, 2-119, 2-121, 2-125, 2-129, 2-133, 2-151, 3-3, 3-7, 3-11	06969	2-97, 2-109, 2-115	09029	2-121
01686	2-11, 2-121, 2-123, 3-13, 3-89	06971	2-11	09037	2-39
01714	2-99, 2-101	06972	2-27, 2-67, 2-69, 2-115	09081	2-127, 2-131
01760	2-19	06988	2-23	09145	2-53
01762	2-105, 2-107, 3-7, 3-9	07255	2-29, 2-31, 2-33	09198	2-6, 2-103
02430	4-24	07259	2-109, 2-113, 2-115, 2-125	09200	2-19, 2-25, 2-91, 2-141, 3-19, 3-25, 3-29, 3-33, 3-37, 3-41, 3-55, 3-87
02706	4-7	07299	2-67, 2-69	09206	3-21, 3-45
02850	2-19, 2-25, 2-60, 3-21, 3-91	07449	2-125	09228	3-79, 3-81
02931	2-125	07514	3-19	09252	2-19, 2-103, 3-45, 3-69
02938	4-27	07782	2-23	09738	3-13
03192	3-67, 3-71	07786	2-115, 2-129, 2-133	09739	2-105, 2-107, 2-141, 3-13, 3-19, 3-25, 3-29, 3-37, 3-41, 3-51, 3-55, 3-59, 3-61, 3-63, 3-64, 3-65, 3-87
03495	2-119	07788	2-129, 2-133, 2-151		
03922	2-149	07790	2-63, 2-79, 2-83		
04375	2-79	07791	2-41, 2-43, 2-171		
04403	2-6	07797	2-175		
04414	2-13, 2-27, 2-67, 2-69, 2-119	07805	3-45		
04706	2-21	08085	2-19		
04733-10	2-117	08165	2-63, 2-81		
04733-12	2-109, 2-115	08166	2-55, 2-57, 2-81		
06279	2-117	08170	2-99		
06532	2-29, 2-31, 2-33, 2-39	08171	2-97		
06548	2-99	08175	2-105, 2-107, 2-115		
06549	2-19, 2-29, 2-35, 2-93, 3-45, 3-69, 3-79, 3-83	08178	2-117		
06927	2-25, 2-59	08179	2-99, 2-115, 2-117, 3-7, 3-11		
06928	2-11	08180	2-95		
06929	2-19	08182	2-101, 2-129, 2-133		
06938	2-29, 2-35	08236	2-109		
06939	3-79, 3-83	08708	2-13, 2-19, 2-21, 2-23, 2-29, 2-35, 2-45, 2-47, 2-49, 2-51, 2-59, 2-63, 2-75, 2-77, 2-83, 2-93, 2-99, 3-91		
06942	2-13, 2-23, 2-29, 2-31, 2-33, 2-35, 2-39, 2-41, 2-59, 2-91, 2-93, 2-99	08709	2-11, 2-13, 2-25, 2-45, 2-47, 2-49, 2-51, 2-53, 2-59, 2-65, 2-75, 2-77, 2-79, 2-83, 2-85, 2-87, 2-89, 2-91, 2-93, 2-99, 2-103, 2-129, 2-133, 3-15, 3-91		
		08711	2-27, 2-67, 2-69, 2-97		

CROSS REFERENCE

Part Number	Page Number	Part Number	Page Number	Part Number	Page Number
09740	2-11, 2-13, 2-19, 2-25, 2-59, 2-65, 2-91, 2-105, 2-107, 2-109, 2-111, 2-115, 2-121, 2-129, 2-133, 2-135, 2-136, 2-139, 2-145, 2-147, 2-149, 2-151, 2-175, 3-3, 3-5, 3-21, 3-33, 3-45, 3-59, 3-61, 3-63, 3-79, 3-83, 3-85	1012160	2-87	1017947	2-91
09741	2-109, 2-115, 2-117, 2-121	1012248	2-89	1017969	2-55
09744	2-136, 3-45, 3-87	1013031	2-55, 2-57, 2-81	1017978	2-45
09767	2-117	1013086	2-87, 2-89	1017987	2-49
09832	2-59, 2-63, 2-83	1013117	2-57, 2-81	1018097	3-21
1002789	3-23, 3-25, 3-27, 3-29	10137	1-1, 2-93	1018098	3-19, 3-33
1002898	3-21, 3-33	1013902	3-21	1018142	2-55
1002899	3-21, 3-33	1014082	3-21	1018155	4-27
1005086	3-23, 3-25, 3-27, 3-29	1014563	2-53, 2-59, 2-63, 2-83, 2-149, 3-67	1018208	2-11
1005219	3-47	1014575	3-21	1018333	3-25
1005255	3-21	1014705	2-109	1018463	2-59
1005302	3-19, 3-33, 3-47	1014747	2-65	1018499	3-19, 3-79, 3-83
1005435	3-21, 3-33, 4-27	1014843	2-85	1018776	2-19
1005506	3-19	1014929	3-33	1018780	3-21
1005507	3-19	1014971	4-27	1018883	3-19
1005508	3-19	1014974	3-5, 3-51, 3-55, 4-27	1018884	3-19
1005552	3-19, 3-23, 3-25, 3-27, 3-29, 3-33, 3-47	1014986	3-33	1018938	3-15, 4-13
1006400	3-33	1015026	3-37, 3-39, 3-51, 3-53	1018939	2-29, 2-35
1006401	2-143, 3-19, 3-37	1015032	2-141, 2-143, 3-13, 3-35, 3-49	1019031	2-129
1006415	3-21, 3-47	1015033	2-141, 3-5	1019146	2-109
1006416	3-33	1015041	2-59, 2-65	1019225	2-11
1006447	3-19	1015044	3-3	1019228	2-19
1007482	2-59, 2-65, 2-85	1015045	2-141, 2-143, 3-13, 3-35, 3-39, 3-49, 3-53	1019250	3-83, 3-85
1008640	2-53	1015047	3-33	1019265	2-59, 2-65
1008916	2-23	1015048	3-5	1019273	2-59
1010614	3-51, 3-55	1015067	3-25, 3-29, 3-37, 3-41, 3-55	1019295	1-1
1010668	3-25, 3-29, 3-33, 3-37, 3-41, 3-51, 3-55, 3-81, 3-85	1015205	2-83	1019394	2-87
1010684	3-19	1015486	3-35, 3-37, 3-49, 3-51, 3-79, 3-83	1019416	2-87
1010836	3-19	1015547	2-29, 2-31, 2-33, 2-43	1019424	2-139, 2-147
1011018	2-225	1015815	2-73	1019445	3-59, 3-61, 3-63
1011019	2-225	1015897	2-33	1019526	2-123
1011020	2-225	1015930	2-29, 2-31, 2-36, 2-41	1019636	3-5
1011107	2-87	1016354	4-27	1019646	3-31
1011216	2-55, 2-57, 2-81	1016560	2-33, 2-43	1019647	3-64, 3-65
1011353	2-27	1016624	2-55	1019939	2-87
1011403	3-47	1016837	3-3	1019940	2-87
1011412	3-19, 3-25, 3-29, 3-35, 3-37, 3-39, 3-41, 3-51, 3-53, 3-55	1017022	3-21, 3-33	1019968	2-59, 2-63, 2-83
1011521	3-23, 3-27	1017101	2-136	1019971	3-59, 3-61, 3-63
1011780	2-45, 2-47, 2-49, 2-51	1017112	2-6	1020002	2-109
1011799	2-59	1017141	2-228	1020003	2-109
1011837	3-47, 3-49, 3-79, 3-81, 3-83, 3-85	1017218	2-13, 2-19, 2-25, 2-79, 2-121, 2-123, 2-135, 2-136, 2-139, 2-145, 2-147, 2-149, 2-151, 2-175, 3-5, 3-21, 3-33, 3-45, 3-59, 3-61, 3-63, 3-83, 3-85	1020163	2-111
1011885	3-5	1017248	3-61, 3-64	1020166	1-1, 2-111
1011895	2-87, 2-89	1017250	3-63, 3-65	1020168	2-13, 3-45
1011899	2-45, 2-47, 2-49, 2-51	1017368	2-6, 2-8	1020186	2-25
		1017386	3-47	1020207	2-111
		1017413	3-47	1020208	2-111
		1017415	3-47	1020234	3-91
		1017868	1-1, 2-119	1020320	2-149
		1017903	2-95	1020394	2-175, 4-15
				1020428	2-136
				1020434	2-228
				1020487	2-19
				1020526	3-87
				1020540	2-13
				1020548	2-129
				1020602	2-55
				1020744	2-139, 2-147
				1020904	2-13
				1020949	2-45, 2-47, 2-49, 2-51, 2-75, 2-77

CROSS REFERENCE

Part Number	Page Number	Part Number	Page Number	Part Number	Page Number
1021019	2-105, 2-107	1022978	2-133	1024599	2-139, 2-147
1021210	3-5, 4-3	1023063	2-123	1024648	2-117
1021265	2-21	1023081	2-171	1024658	2-121
1021290	2-93	1023239	2-119	1024695	2-21
1021325	3-3	1023288	2-27	1024764	2-163
1021404	2-125	1023306	2-129	1024853	2-149
1021439	3-11	1023307	2-133	1024891	2-149
1021473	3-11	1023314	2-133	1024934	2-91
1021497	2-125	1023334	2-121	1024977	3-89
1021514	2-45, 2-49	1023464	2-15	1025005	1-2, 3-7
1021546	2-125	1023476	2-125	1025041	2-115
1021564	3-11	1023482	2-87, 2-89	1025092	2-139
1021579	1-1, 2-173	1023485	3-17	1025100	2-109, 2-115
1021617	3-11	1023486	3-17	1025101	2-228
1021789	2-55	1023487	2-161	1025132	2-173
1021794	3-7	1023488	2-159	1025140	2-101
1021834	2-13	1023491	2-143	1025151	2-127, 2-131
1021881	3-79, 3-83	1023493	2-135	1025159	3-5
1021920	2-145	1023497	2-135	1025178	2-125
1021991	2-175	1023499	2-19	1025196	2-25
1022003	2-111	1023502	2-139, 2-147	1025198	2-115
1022004	2-25	1023508	2-135	1025229	2-87, 2-89
1022031	2-99	1023510	2-135	1025254	2-11
1022069	2-23	1023545	2-173	1025320	2-115
1022105	2-19	1023569	2-15	1025405	3-15
1022106	3-13	1023585	3-79, 3-83	1025435	2-13
1022111	3-7	1023606	2-161	1025445	3-17
1022113	2-55	1023607	2-161	1025449	2-139, 2-147
1022135	3-7	1023608	2-159	1025452	2-139, 2-147
1022137	2-139, 2-147	1023609	2-159	1025460	2-125
1022140	2-103	1023617	2-105	1025480	2-139, 2-147
1022176	2-135	1023685	2-121	1025487	2-99
1022182	2-136	1023754	2-149, 2-151	1025495	2-99
1022188	3-7	1023769	2-163, 2-165	1025544	2-163
1022229	3-5	1023853	2-59, 2-65	1025547	2-161
1022243	2-99	1023879	3-67	1025548	2-163, 2-165
1022260	3-7	1023917	2-121	1025562	2-145
1022265	3-67	1023926	2-21	1025601	2-125
1022276	3-67	1024131	2-135	1025619	2-145
1022302	3-7	1024141	2-220	1025620	2-145
1022318	3-13	1024175	2-135	1025663	3-89
1022345	2-101	1024177	2-25	1025736	2-19
1022359	2-111	1024183	2-19	1025806	2-25
1022363	2-111	1024217	2-135	1025826	2-111
1022364	2-29, 2-31	1024237	3-33	1025872	2-149
1022370	2-145	1024249	2-95	1025887	2-149
1022377	2-149	1024251	2-169, 4-7	1025888	2-149
1022545	2-125	1024260	2-21, 4-23	1025916	2-19
1022668	2-121	1024274	2-93	1025968	2-113
1022683	2-121	1024309	2-123	1025990	3-17
1022699	2-13	1024407	2-113, 4-11	1025991	3-17
1022736	2-99	1024425	2-19	1025992	3-17
1022779	2-103	1024450	2-123	1026003	2-59
1022787	2-103	1024464	2-19	1026007	2-117
1022794	2-55	1024478	2-21	1026014	2-145
1022798	2-103	1024500	2-25	1026025	2-99
1022825	2-129, 2-133	1024535	2-139, 2-147	1026051	2-139, 2-147
1022831	2-119	1024570	2-111	1026067	3-21
1022846	2-127, 2-131	1024576	2-129, 2-133	1026074	3-19
1022903	2-117	1024586	1-1	1026080	2-105, 2-107

CROSS REFERENCE

Part Number	Page Number	Part Number	Page Number	Part Number	Page Number
1026101	2-113	1028205	2-143	1030073	2-27
1026119	3-15	1028211	2-145	1030280	2-145
1026130	2-115	1028236	2-119	1030404	2-159
1026142	2-147	1028249	2-121	1030407	3-79, 3-81
1026195	2-123	1028253	2-11	1030441	4-30
1026222	2-6	1028270	3-17	1030444	4-30
1026223	2-6	1028328	2-145	1030503	3-89
1026316	2-145	1028334	2-121	1030511	3-25, 3-29, 3-37, 3-41, 3-51, 3-55
1026319	2-171	1028343	2-41	1030515	3-89
1026352	2-105, 2-107	1028374	2-119	1030522	3-89
1026417	2-123	1028412	2-25	1030557	3-89
1026550	2-87, 2-89	1028433	1-1, 2-115	1030558	2-115
1026576	2-93	1028440	2-115	1030588	2-19, 2-25
1026628	2-25	1028446	2-115	1030593	2-13
1026645	2-161	1028495	2-113	1030617	2-136
1026664	2-87	1028516	2-25	1030709	2-167
1026665	2-25	1028522	2-145	1030863	3-19
1026726	2-25	1028558	2-57, 2-81, 6-25	1030864	3-19
1026743	3-79, 3-83, 4-25	1028559	2-57	1030878	3-19
1026759	2-87, 2-89	1028582	3-19	1030910	2-109
1026804	2-117	1028635	2-129, 2-133	1030911	2-109
1026806	2-117	1028690	2-139, 2-147	1030969	2-6
1026825	2-19	1028691	2-139, 2-147	1031011	1-1, 2-127, 2-131
1026831	2-123	1028697	3-5	1031017	2-228
1026900	2-123	1028701	2-139, 2-147	1031152	2-121
1027099	2-59	1028711	2-31	1031206	2-19
1027103	2-59	1028722	2-39	1031217	2-113
1027108	2-121	1028753	2-57, 2-81	1031233	2-135
1027143	2-121	1028769	2-17	1031235	2-136
1027147	2-121	1028772	2-17	1031286	2-113
1027218	2-13	1028821	2-171	1031305	2-121
1027228	2-93	1028822	2-171	1031312	2-31, 2-33, 2-39
1027233	2-103	1028905	2-6	1031331	1-1, 2-119
1027237	3-83, 3-85	1028924	2-89	1031351	2-121
1027267	2-13	1028929	2-57, 2-81	1031439	2-27
1027269	2-11	1028972	2-131	1031553	2-51
1027284	2-17	1028979	2-131	1031557	2-23
1027290	1-1, 2-136	1028994	2-57, 2-81	1031566	2-79, 3-91
1027313	2-103	1029055	3-83, 3-85	1031572	3-5
1027347	2-11	1029057	3-45, 3-83, 3-85	1031609	2-47
1027426	2-135	1029082	2-31, 2-33, 2-39	1031610	2-145
1027588	3-71	1029118	3-21	1031614	2-47, 2-51
1027688	2-8	1029128	2-127	1031665	2-13, 2-17, 2-21
1027697	2-6	1029132	2-127	1031699	2-145, 4-3
1027716	1-2, 3-7	1029153	3-83, 3-85	1031796	4-25
1027719	1-1, 2-119	1029155	3-83, 3-85	1031797	4-25
1027798	3-61, 3-63, 3-64, 3-65	1029156	3-83, 3-85	1031798	4-25
1027800	3-61, 3-63, 3-64, 3-65	1029185	2-141	1031799	4-25
1027810	2-109	1029293	2-89	1031800	4-25
1027850	3-71	1029295	2-89	1031801	4-25
1027856	2-45, 2-47, 2-49, 2-51	1029362	2-17	1031802	4-25
1027916	2-11	1029379	3-7, 3-9, 4-9	1031803	4-25
1027926	3-11	1029396	3-73, 3-75	1031823	1-1, 2-127, 2-131
1027976	3-83, 3-85	1029399	3-83, 3-85	1031826	2-11
1027978	3-83, 3-85	1029545	2-23	1031827	2-11
1028049	2-117	1029652	2-23	1031945	1-1, 2-119
1028074	2-141	1029748	2-136	1032242	2-53
1028136	2-57	1029790	3-83, 3-85	1032323	2-47, 2-51
1028145	2-161	1029964	2-105, 2-107	1032399	2-103
1028173	2-145	1030017	2-13		

CROSS REFERENCE

Part Number	Page Number	Part Number	Page Number	Part Number	Page Number
1032450	2-228	1037749	3-93	1042968	3-7, 3-9
1032546	2-121	1037805	3-15, 4-17	1043322	2-65
1032701	2-143	1037809	3-43	1043481	2-31, 2-41
1032743	2-105, 2-107	1037825	3-25, 3-29, 3-37, 3-41, 3-51, 3-55	1043897	2-63
1032812	2-89	1037970	2-23	1044342	3-33
1032830	3-67	1037971	2-23	1044343	3-33
1032831	3-67	1038074	2-141	1044393	3-45
1032869	3-87	1038115	3-11	1045272	3-15
1032884	3-87	1038137	2-109, 2-129, 2-133, 3-11	1045316	2-60
1033156	2-25	1038159	4-27	1045415	2-63
1033297	3-21	1038258	2-105, 2-107	1045419	2-63
1033428	2-53	1038498	2-11	1045433	2-63
1033644	1-1, 2-53	1038499	2-59	1045444	3-89
1033746	2-89	1038569	2-159	1045447	2-63
1033897	2-89	1038805	2-135, 2-136	1045530	2-63
1033901	2-89	1039019	3-5	1045759	2-167
1033975	2-13	1039049	2-145	1045764	2-59, 2-63, 2-83
1034147	2-125	1039064	2-141	1045940	2-63, 2-83
1034270	2-95	1039072	2-145	1046022	2-27
1034282	2-125	1039091	2-11	1046039	2-63
1034655	2-89	1039148	2-159	1046173	3-45
1034676	2-89	1039348	2-121, 2-129, 2-133	1046237	2-53
1034764	2-15	1039357	3-33	1046798	2-145
1034765	2-15	1039396	2-111	1046962	2-63, 2-83
1034766	2-15	1039468	2-115	1046976	3-9
1034767	2-19	1039469	2-115	1046980	1-2, 3-9
1034768	2-15	1039521	2-87	1046995	3-9
1034769	2-15	1039652	2-145	1047002	3-9
1034770	2-15	1039697	2-145	1047060	3-9
1034878	2-173	1039757	2-135, 2-136	1047098	2-135, 2-136
1035031	2-53	1040018	2-111	1047169	2-13
1035044	2-145	1040098	2-123	1047238	1-2, 3-9
1035068	2-23	1040318	2-171, 2-173	1047295	2-13
1035133	3-93	1040467	2-21, 2-23, 2-60, 2-63, 2-83, 3-45, 3-69	1048166	2-83, 3-91
1035214	2-65	1040524	2-6	1048474	2-135, 2-136
1035222	2-59	1040633	3-87	1048512	2-135, 2-136
1035530	2-53	1040800	3-87	1048955	2-19
1035727	2-125	1040834	3-13	1049254	3-33, 3-47
1035771	2-53	1040841	2-15	1049259	3-33
1035794	3-33	1040863	3-89	1049919	2-23
1035832	2-13	1040871	3-89	1050003	2-228
1035976	2-60	1041151	2-41, 2-43	1050295	3-67
1035997	2-13	1041152	2-41, 2-43	1050436	2-161
1036240	2-11	1041291	2-60	1050437	2-161
1036710	2-161	1041391	2-163	1051026	2-6
1036801	3-33	1041822	2-17	1051534	3-91
1036892	2-17, 2-47, 2-51, 2-63, 2-75, 2-77, 2-83, 3-91	1042003	2-139	1052017	3-47
1036899	2-167	1042010	2-147	1052124	2-109
1036906	3-17	1042028	2-27	1052170	2-63
1036939	2-163	1042046	2-143	1052336	3-47, 4-27
1036965	3-17	1042499	2-8	1052342	2-109
1036997	2-141	1042500	2-8	1052726	3-45
1037011	3-15	1042504	2-8	1053078	3-45
1037032	4-27	1042686	2-109	1053464	4-27
1037042	2-167	1042710	4-30	1053838	2-11, 3-13
1037311	6-28	1042772	2-33, 2-43	1054382	2-65, 2-85
1037346	2-63, 2-83, 2-93, 3-91	1042963	2-113	1054428	2-83, 3-91
1037354	2-173, 3-91			1054558	2-51
1037355	2-63, 2-83, 3-91			1054575	2-105, 2-107
				1054610	2-107

CROSS REFERENCE

Part Number	Page Number	Part Number	Page Number	Part Number	Page Number
1054682	2-105	1061045	3-51, 3-55	1071062	3-69
1054776	4-27	1061973	2-95	1071099	2-85
1054857	2-105, 2-107	1061974	2-97	1071107	2-79
1055106	2-27	1062033	2-151	1071108	2-79
1055139	2-107	1062116	2-33, 2-43, 3-13	1071110	2-79
1055170	2-39	1062403	3-47	1071113	2-81
1055377	2-53, 2-79, 3-91	1062566	2-11	1071144	2-79
1055381	2-53	1062804	3-45	1071145	2-79
1055425	2-53	1062813	2-228	1071155	2-67
1055552	2-71	10632-12	3-69	1071173	2-171
1055588	2-167	10632-17	3-64, 3-65	1071253	2-151
1055590	2-167	10632-19	3-19, 3-33, 3-47	1071280	3-47
1056195	3-89	10632-2	3-5	1071376	2-81
1056232	2-33	10632-4	3-45	1071388	2-89
1056233	2-39	1063456	2-225	1071397	6-25
1056241	2-57	1063457	2-225	1071398	6-25
1056300	2-43	1064183	3-45	1071404	2-75
1056355	2-47, 2-51	1064191	3-45	1071418	2-81
1056566	2-27	1064440	2-228	1071439	2-25
1057029	5-11	1064443	3-91	1071440	2-71, 2-73
1057637	4-27	1064661	2-228	1071481	2-93
1057643	2-105, 2-107	1065342	2-228	1071482	2-93
1057707	1-2	1065343	2-228	1071502	2-71
1057708	1-2	1066893	2-19	1071605	2-219
1057710	1-2	1067700	2-141, 2-143	1071616	2-13
1057711	1-2	1068611	2-151	1071641	3-70
1058753	3-91	1068613	2-151	1071642	2-226
1058777	3-91	1068644	2-151	1071653	2-225, 6-25
1058935	3-47	1068811	2-105, 2-107	1071654	2-225, 6-25
1058963	3-45	1068812	3-9	1071727	2-79
1058996	2-21	1068924	2-113	1071785	2-83
1059091	1-2, 3-9	1069019	1-2	1071947	3-58
1059092	1-2, 3-9	1069020	1-2	1072408	2-71, 2-73
1059100	2-151	1069241	3-67	1072421	2-79
1059234	4-30	1069253	3-67	1072456	2-19, 4-29
1059343	2-95	1069562	2-109	1072505	3-91
1059347	2-97	1070348	2-69	1072559	2-71, 2-73
1059372	3-47	1070402	3-69	1072669	2-67, 2-69
1059391	3-47	1070426	2-79	1072815	2-19
1059640	2-6	1070431	2-79	1072877	3-5
1059671	2-97	1070434	2-83	1072885	2-145
1059677	3-45	1070619	2-79	1072996	2-175, 4-21
1059878	4-30	1070659	3-69	1072997	3-15, 4-19
1060130	2-11, 3-13	1070732	2-85	1073487	2-95
1060185	3-45	1070751	2-67, 2-69	1073529	2-79
1060273	3-45	1070756	2-67, 2-69	1074577	2-151
1060291	3-45	1070764	2-79	1074807	2-105, 2-107
1060292	3-45	1070787	2-77	1075003	2-17
1060517	4-27	1070788	2-75, 2-77	10832	2-27
1060521	2-95	1070798	2-103	10908	2-6
1060596	3-47	1070819	2-103	10917	4-25
1060624	3-45	1070822	2-75, 2-77	11399	2-11, 2-123
1060693	3-47	1070833	2-75, 2-77	11442-1	2-41, 2-43
1060695	4-27	1070860	2-83	11442-23	2-91
1060716	2-151	1070890	2-79	11842	2-103
1060719	3-45	1070955	2-83	11984	3-21
1060871	3-58	1071033	3-91	1220185	2-8
1060880	3-58	1071041	3-91	1220198	2-6
1060881	3-58	1071047	3-91	1220221	2-6
1060942	2-11	1071061	2-95	1220235	2-8

CROSS REFERENCE

Part Number	Page Number	Part Number	Page Number	Part Number	Page Number
1220236	2-8	19066	2-19, 2-25, 2-53, 2-93,	22290	2-21
1220237	2-6		3-45, 3-59, 3-61, 3-63,	22297	2-59, 2-65, 2-85
1220238	2-6		3-64, 3-65, 3-79, 3-83	223054	2-117
1220239	2-6	19191	2-113, 3-7, 3-9	22308-6	2-91
1221543	2-8	19312	2-31, 2-33, 2-39, 2-71,	223080	2-19
12295	2-105, 2-107		2-73	223198	2-109, 3-45, 3-89
12309	2-11, 2-121	19313	2-53, 3-67	223470	2-109, 3-7
12317	2-11, 2-135, 3-13, 3-89	19315	2-27, 2-31, 2-33, 2-39,	223599	2-17
12323	3-45		2-71, 2-73	22609	4-11
13048	2-43	19317	2-31, 2-33, 2-39	22614	4-11
13534	2-105, 2-107	19583	2-95	22615	3-9, 4-11
13698	2-171	19760	2-91	22790	4-3
13904	4-13, 4-15, 4-17, 4-19,	20170	2-99	23146	2-11, 3-13
	4-21	20394	2-23, 3-83, 3-85	23156	2-91
13907	4-7, 4-15, 4-21	20778	2-93	23285	4-3
140916	3-69	20807	2-143	23498	2-139, 2-147, 2-149
14432	2-45, 2-47, 2-49, 2-51,	20833	1-1, 2-125	23788	2-99
	2-75, 2-77	20944	3-5	24012	2-55, 2-57
14595-1	2-99	20951	3-5, 4-27	24047	2-91
14605	2-99	20952	3-5	24105	3-3
14838	2-6, 2-8	21168	2-25, 2-111, 2-121,	24196	3-51, 3-59, 3-61, 3-63,
14877	3-3, 3-5, 3-19, 3-33,		2-127, 2-131		3-64, 3-65
	3-47	21195	2-53	24199	3-69
150100	3-19	21196	3-89	24265	2-25, 3-3
150208	3-77	21197	2-87, 2-103, 2-113	24299	2-6, 2-8
150516	2-31, 2-41	21198	2-169, 3-79, 3-81	24339	2-95
150525	3-21	21601	2-119, 3-9	24358	2-145, 4-3
150538	3-33	21602	2-119	24543	3-5
150540	3-33, 4-27	21603	2-119, 3-9	24544	3-3, 3-19, 3-33, 3-47
150709	2-91, 3-33	21606	2-119	24555	2-119, 2-125, 3-9
150713	3-33	21623	2-121	24698	3-47
15331	2-23	21657	4-24	24928-1	2-91
15539	2-6, 2-8	21659	4-24	24976	2-27
15543-2	2-45, 2-49	21851	2-19	25014	2-57, 2-81
15648	2-139, 2-147	21852	2-6	25046	2-113, 3-7, 3-9
15675	2-105, 2-107	21933	4-23	25122	1-1, 2-173
15678	3-33	21934	4-23	25312	3-92
16213	2-103	21935	4-23	25611	2-113, 3-7, 3-9
16411	1-2	21955	4-9	25686	2-105, 2-107
16412	1-2	21956	4-9	25735	2-125, 2-127, 2-131
16462	2-165	21958	4-9	26496	2-91
16695	4-8, 4-9, 4-11	21960	4-11	27048	2-41, 2-87, 2-91
16735	2-53, 2-79, 2-145, 3-11	222027	2-115	27767	2-33, 2-43
16931	2-13, 2-19, 2-23, 2-25,	222210	2-115	28854	4-9
	2-45, 2-49, 2-53, 2-63,	222267	2-25, 2-135, 2-136	29557	3-11
	2-65, 2-79, 2-85, 2-87,	222268	2-123	29558	3-11
	2-89, 2-91, 2-95, 2-99,	222290	2-93	29584	2-117
	2-149	222320	2-6	30407	2-59, 2-63, 2-83
16968	2-17	222321	2-6	31354	4-8, 4-9
17185	2-105, 2-107, 3-19	222322	2-6	31375	4-8
17284	3-13	222324	2-6	31376	4-11
17414	2-91	222325	2-6	31379	4-8
17461	2-109, 2-115, 2-129,	222326	2-6	31383	4-8
	2-133, 3-11	222327	2-6	31525	2-53
17521	2-141	222375	3-51, 3-55	31543	3-37, 3-51, 3-55
17980	2-21, 2-171	222496	2-55, 2-57, 2-81,	31613	1-1, 2-173
19064	2-59, 3-73, 3-79, 3-81		2-105, 2-107, 2-113	32126	2-95
19065	2-19, 3-45	222505	2-55, 2-57, 2-81,	32183	3-5
			2-121, 2-125		
		222516	2-139, 2-147		

CROSS REFERENCE

Part Number	Page Number	Part Number	Page Number	Part Number	Page Number
32483	2-19, 2-21, 2-29, 2-31, 2-33, 2-35, 2-39, 2-45, 2-49, 2-55, 2-57, 2-59, 2-63, 2-81, 2-87, 2-89, 2-91, 3-45, 3-91	35710	2-91	371790	3-93
32485	2-27, 2-53, 2-57, 2-67, 2-69, 2-103, 2-109, 2-125, 2-169	360023	2-97	371854	2-47, 2-51
32486	2-21, 2-27, 2-59, 2-67, 2-69, 2-97, 3-11	360074	2-97	371855	2-27
32490	2-13, 2-27, 2-31, 2-33, 2-39, 2-41, 2-59, 2-63, 2-71, 2-73, 2-81, 2-83, 2-93, 2-99, 2-101, 2-103, 3-19, 3-21	360270	2-97	371860	2-27, 2-55, 2-57
32491	2-11, 2-13, 2-19, 2-21, 2-23, 2-25, 2-45, 2-47, 2-49, 2-51, 2-53, 2-57, 2-59, 2-63, 2-65, 2-75, 2-77, 2-79, 2-83, 2-85, 2-87, 2-89, 2-91, 2-95, 2-99, 2-105, 2-107, 2-109, 2-115, 2-117, 2-135, 2-139, 2-143, 2-145, 2-147, 2-171, 3-11, 3-13, 3-15, 3-67, 3-79, 3-83, 3-87, 3-91	360271	2-97	371861	2-55, 2-57
32492	2-11, 2-19, 2-57, 2-63, 2-81, 2-83, 2-87, 2-91, 2-103, 2-113, 2-125, 2-135, 3-7, 3-9, 3-67, 3-71, 3-79, 3-81, 3-89	360272	2-97	371863	2-53
32493	2-11, 2-27, 2-67, 2-69, 2-121	360273	2-97	371865	2-53
32509	4-27	360274	2-97	371866	2-27
32716	2-53, 2-91	360275	2-97	371868	2-27
32746	2-6, 2-8	360276	2-97	371869	2-27
32747	2-6	360801	2-129, 2-133, 2-145	371870	2-27
32981	2-87, 2-89, 2-149	360802	2-97	371871	2-53
32982	3-45	360824	3-87	371872	2-53
32983	2-19, 2-53	360973	2-136	371876	2-27
32987	2-95	361047	3-17	371877	2-27, 2-41, 2-43
32988	2-53	361071	2-17	371890	2-27
331470	3-93	361073	2-17	371931	5-5
331471	3-93	361075	2-17	371932	5-5
331472	3-93	361339	2-63, 2-99, 2-101, 2-111, 2-115, 3-19, 3-21, 3-91	371933	5-5
331473	3-93	36159	2-71, 2-73	371934	5-5
331475	3-93	363162	2-119	371935	5-5
33295	3-3	36328	2-121, 2-129, 2-133, 2-151	371936	5-5
33373	2-125	363301	2-119	371937	5-5
33580	4-5	363458	2-11	371938	5-5
33671	2-93	363543	2-141	371940	5-8
33932	2-25, 2-103, 2-127, 2-131, 3-3, 3-45	363976	2-13, 2-53	371941	5-8
34178	4-5	364347	2-99	371942	5-5
34359	3-15	364441	2-119, 3-15	371943	5-8
34390	2-113	364749	2-19	371944	5-5
34411	2-11, 3-13	364864	2-99	371945	5-5
35493	4-10	364948	2-99	371946	5-5
35707	2-91	364978	2-163	371947	5-7
		365009	2-165	371948	5-7
		365095	2-141, 2-143	371949	5-7
		365164	2-45, 2-49, 2-141	371950	5-7
		36643	2-91, 2-103, 2-149	371951	5-7
		36644	2-109	371952	5-7
		367770	2-117, 3-79, 3-81	371954	5-3
		367771	2-121	371955	5-3
		367949	2-135, 2-136	371956	5-3
		368391	2-19	371957	5-3
		36845	3-11	371958	5-3
		369359	3-7, 3-9, 3-89	371959	5-8
		369704	2-93	371960	5-8
		369745	2-45, 2-47, 2-49, 2-51, 2-75, 2-77	371961	5-8, 5-11
		369746	1-1, 2-45, 2-47, 2-49, 2-51, 2-75, 2-77	371962	5-5
		369747	2-45, 2-47, 2-49, 2-51, 2-75, 2-77	371963	5-5
		370091	2-6	371964	5-5
		370095	2-6	371965	5-5
		370100	2-119	371966	5-5
		371503	6-21	371967	5-5
		371509	6-17	371968	5-5
		371562	6-17	371969	5-5
		371770	2-41, 2-43	371970	5-5
				371971	5-5
				371972	1-1, 2-27, 5-8
				371973	5-8
				371975	5-8
				371976	5-5
				371977	5-5

CROSS REFERENCE

Part Number	Page Number	Part Number	Page Number	Part Number	Page Number
371978	5-5	372043	5-11	372549	2-29, 2-31, 2-33, 2-35, 2-39
371979	5-5	372044	5-11	372550	2-29, 2-31, 2-33, 2-35, 2-39
371980	5-7	372046	5-11		
371981	5-7	372047	5-3	372556	2-27
371983	5-7	372048	5-3	372557	2-53
371984	5-7	372049	5-9	372558	2-35
371986	5-7	372050	5-9	372560	5-8
371987	5-7, 5-8	372051	5-9	372563	2-29
371988	5-7	372052	5-9	372566	2-29
371990	5-3, 5-7	372053	5-9	372567	5-7
371991	5-7	372055	5-12	372569	2-35
371992	5-8	372056	5-12	372572	5-7
371993	5-7	372057	5-12	372573	5-3
371994	5-7	372058	5-12	372574	5-3
371995	5-8	372059	5-12	372575	1-1, 5-12
371996	2-27, 5-7	372060	5-12	372576	2-35
371997	5-7	372066	5-9	372577	2-35
371998	5-7	372235	2-225	372579	2-35, 2-39
371999	5-3, 5-5	372236	2-225	372580	2-35
372000	5-7	372237	2-225	372582	2-35
372001	5-7	372440	1-1, 2-87, 2-89	372603	5-12
372002	2-27, 5-7	372470	2-31, 2-33, 2-39, 2-71, 2-73	372605	2-35
372003	5-7			372606	2-35
372004	5-7	372482	2-35	372607	2-35
372005	5-7	372484	2-35	372608	2-35
372007	5-3	372489	2-29	372609	2-35
372008	5-3	372491	2-55	372610	2-35
372009	5-11	372492	6-25	372611	2-35
372010	5-11	372493	2-29, 2-31, 2-33, 2-35, 2-39, 6-25	372612	2-35
372011	5-11			372613	2-35
372012	5-11	372497	2-36	372615	1-1, 2-35, 2-41
372013	5-11	372498	2-35	372616	5-11
372014	5-11	372500	2-35	372857	2-35
372015	5-11	372501	2-36	372858	2-29
372016	5-11	372503	2-35	372862	2-27
372017	5-11	372506	2-35	372863	3-93
372018	5-3	372507	2-35	372882	5-3
372019	5-3	372510	2-35, 2-39	372891	6-25
372020	5-9, 6-16	372511	2-35	372898	2-35
372021	5-9	372512	2-35	372953	2-27
372022	5-3	372514	2-35	373217	4-5
372023	5-3	372515	2-35	373226	4-5
372024	5-3	372517	2-35	373236	4-5
372025	5-3	372518	2-35	373260	4-5
372026	5-3	372523	2-35	373291	4-5
372027	5-3	372528	2-35, 2-41	373297	4-5
372028	5-3	372529	2-41, 2-43	373298	4-5
372029	5-3	372534	2-29, 2-31, 2-39	373299	4-5
372030	5-3	372537	2-29, 2-35	373317	4-7
372031	5-3	372539	2-41, 2-43	373327	4-7
372032	5-3	372541	2-27	373346	4-7
372033	5-3	372542	2-29	373347	4-7
372034	5-3	372543	2-29, 2-31, 2-33, 2-39	373348	4-7
372035	5-3	372544	2-29, 2-31, 2-33, 2-35	373389	4-7
372036	5-3	372545	2-29, 2-31, 2-33	373391	4-7
372037	5-3	372546	2-29	373393	4-7
372038	5-3	372547	2-29, 2-31, 2-33, 2-35, 2-39	373394	4-7
372039	5-3			373395	4-7
372040	5-11	372548	2-31, 2-33, 2-35, 2-39	373398	4-7
372041	5-11				

CROSS REFERENCE

Part Number	Page Number	Part Number	Page Number	Part Number	Page Number
373402	4-7	381502	2-99, 2-117	388552	5-11
373413	4-7	381854	2-165	38968	4-5
373427	4-7	381866	2-165	39005	2-117
373429	4-7	382099	2-109	390994	2-135
373434	4-7	382224	2-99, 2-117	391368	2-23
373493	4-7	382320	2-135, 2-136, 2-145,	391804	2-121
373494	4-7		3-92	39210	2-107, 2-175, 3-15
373631	4-15, 4-21	382516	2-17	392171	2-17
373633	4-13, 4-17, 4-19	38255	4-5	392609	2-149
373640	4-13, 4-15, 4-17, 4-19,	38263	4-11	392629	2-87
	4-21	383165	2-17	392645	2-91
373642	4-13, 4-15, 4-17, 4-19,	383912	2-87	39277	2-11, 2-13, 2-45, 2-47,
	4-21	384418	2-25, 2-127, 2-131		2-49, 2-51, 2-59, 2-63,
373646	4-13, 4-15, 4-17, 4-19,	384419	2-25		2-75, 2-77, 2-79, 2-83,
	4-21	384442	2-53, 2-55, 2-57		2-85, 2-87, 2-89, 2-91,
373647	4-13, 4-15, 4-17, 4-19,	384961	5-5		2-139, 2-147, 2-151,
	4-21	384962	5-8		2-171
373648	4-13, 4-15, 4-17, 4-19,	384963	5-5	39278	2-103
	4-21	384964	5-5	39279	2-99
373656	4-13, 4-17, 4-19	384966	5-7	39281	2-79, 2-125
373657	4-13, 4-15, 4-17, 4-19,	384968	5-7	39283	2-13, 2-27, 2-63
	4-21	384970	2-41, 2-43	39284	2-55, 2-57, 2-81
373658	4-13, 4-15, 4-17, 4-19,	384971	2-41, 2-43	39308	2-129, 2-133
	4-21	384972	2-31, 2-33, 2-39	39311	2-13, 2-53
373661	4-13, 4-17, 4-19	384973	2-41, 2-43	393129	2-123
373662	4-13, 4-17, 4-19	384974	2-29, 2-31, 2-33, 2-39	393135	2-127, 2-131, 2-139,
373663	4-13, 4-15, 4-17, 4-19,	384975	2-41		2-147, 3-87
	4-21	384977	2-41, 2-43	393209	2-53
373664	4-13, 4-15, 4-17	384978	2-41, 2-43	393215	2-95
373665	4-15, 4-21	384979	2-41, 2-43, 6-22, 6-29	393255	3-13
373666	4-15, 4-21	384980	2-39	39349	2-13, 2-53, 2-79, 2-81,
373667	4-15, 4-21	384983	2-41		2-103, 2-123, 2-129,
373668	4-15, 4-21	384984	2-41, 2-43		2-133, 2-139, 2-147
373669	4-15, 4-21	384986	2-41, 2-43	39350	2-95
373670	4-13, 4-15, 4-17, 4-19,	384990	2-225	393982, 1-1, 2-67, 2-69, 6-21	
	4-21	384991	2-39	394916	2-225
373671	4-15, 4-21	384992	2-31, 2-33	394921	2-225
373672	4-13, 4-15, 4-17	384995	2-31, 2-33, 2-39	39527	2-105, 2-107, 4-8
373673	4-13, 4-15, 4-17	384996	2-39	39534	2-149
373674	4-11	384997	2-225	395973	2-175, 3-15
373678	4-7	384998	2-225	395974	2-175, 3-15
373679	4-7	384999	2-225	396221	2-159
373680	4-7	385001	6-15	396255	2-161
373681	4-7	385009	2-89	396273	2-161
373683	4-17, 4-19	385011	6-22	396278	2-165
374560	2-95	385015	6-15, 6-16, 6-19, 6-21,	396438	2-161
374563	2-95		6-22	396476	2-175, 3-15
375321	3-83, 3-85	385029	2-27	397648	3-79, 3-81
375322	3-3	385644	3-23, 3-25, 3-35, 3-37,	397826	2-123
37555	4-8, 4-9, 4-11		3-49, 3-51, 3-79, 3-83	39785	2-53
37616	4-5	385685	2-136, 2-145, 3-5	397914	2-6
377349	2-135, 3-3	386088	2-129, 2-133	397974	2-6
377537	1-2	386264	2-119	39810	2-27
377538	1-2	386298	2-119, 3-9	39811	2-109
377540	1-2	386652	3-5	398279	2-45, 2-47, 2-49, 2-51,
37756	4-5	387237	2-119		2-75, 2-77
379030	2-115, 2-117	387281	2-163	398468	2-87, 3-19
379609	2-95, 4-5	387433	2-119	398474	3-19
379870	2-121, 2-129, 2-133	387500	2-119	398500	3-79, 3-83
381391	2-75, 2-77	388153	2-21	398501	2-17

CROSS REFERENCE

399249	2-6	47801	2-95	54615	2-145
40362	2-173	48079	2-103	54620	2-113
40625	2-171	48126	2-89	54655	2-103
40678	2-171	48267	2-87	54861	2-149
41130	2-149	48610	3-79, 3-81	55272	3-61, 3-63, 3-64, 3-65
41139	2-25	48790	3-47	55455	2-173
41141	2-11, 2-121	48813	4-10	55586	2-105, 2-107, 2-175, 3-15
41142	2-53	48985	2-109, 3-11	55685	2-173, 3-15
41169	2-101, 2-103	48996	2-53	55845	3-73
41178	2-19, 2-60, 2-63, 2-83	48998	2-53, 2-79	55926	4-7
41185	2-121, 2-129, 2-133	49145	2-97	56078	2-105, 2-107
41186	2-53, 2-79, 2-103, 2-139, 2-147, 2-149, 3-11	49266	2-17, 2-29, 2-31, 2-63, 2-95, 2-107, 2-167, 3-19, 3-47, 3-64, 3-65	56185	2-21
41187	2-57, 2-103, 2-129, 2-133	49694	2-113	56186	3-19, 3-33, 3-45, 3-79, 3-83
41295	3-3, 3-5	49697	2-127, 2-131	56690	2-21, 2-173, 3-15, 3-17
41315	2-141	49800	2-19, 2-59	56692	2-151, 3-7
41346	3-11	49883	2-79	56820	2-21, 2-175, 3-15
41359	3-45	49933	2-149, 2-175	56821	3-7, 3-9
41361	2-27	50178	3-13	56835	2-21
41399	2-101	50335	2-27, 2-103	56992	2-17
41430	2-59, 2-63, 2-83, 2-91, 2-171, 3-67, 3-89	50544	2-141	57189	2-149
41445	2-129, 2-133	50901	3-47	57223	2-167
41579	2-6, 4-27	51109	2-99	57248	3-33
41619	2-109, 2-115, 2-117, 2-129, 2-133	51176	2-27, 2-67, 2-69	57297	2-91
42011	2-53	51305	2-29, 2-31, 2-36, 2-41, 2-59, 2-65, 2-85	57315	2-95
42120	2-109, 2-115	51338	2-95	57569	2-83
42133A	3-3, 3-19, 3-33, 3-47	51339	2-95	57702	3-89, 3-91
42180	2-101	51754	2-163	57769	3-79, 3-81
42223	2-95	51787	2-171	57804	2-93, 2-225
42226	2-149, 2-175, 3-15	51824	2-109	578060000	3-77
42467	2-103	51839	2-29, 2-31, 2-33, 2-36, 2-41, 2-43	578061000	3-77
43555	2-139, 2-147	52405	4-5	578063000	3-77
43844	2-29, 2-31, 2-36, 2-41, 2-59, 2-60, 2-65, 2-85, 2-143, 3-3, 3-5, 3-33, 3-47	53076	2-169	578064000	3-77
44868	2-105, 2-107, 2-113, 2-169, 2-175, 3-15	53400-1	2-91	578066000	3-77
44869	2-113, 2-169, 2-173, 3-15	53400-4	2-91	578071000	3-75
44961	4-27	53466	2-11, 2-13, 2-59, 2-85, 2-93, 2-171, 3-21	578072000	3-75
45261	2-121	53485	4-10	578074000	3-77
45622	4-5	53782	2-121	578077000	3-77
45623	4-5	53947	2-103	578078000	3-77
45628	4-8, 4-9, 4-11	53953	2-103	578091000	3-77
46236	3-61, 3-63	54017	2-159	578094000	3-77
46314	2-29, 2-35	54051	2-95	578123000	3-77
46480	2-175	54052	2-95	578124000	3-77
46481	2-171	54087	2-95	578125000	3-77
46482	2-173, 2-175	54095	4-10	578126000	3-77
46559	2-103	54095	4-10	578143000	3-77
46563	2-99	54205	2-103	578154000	3-77
46800	3-7	54274	2-59, 2-63, 2-83, 2-149, 2-151	578155000	3-77
47504	3-15	54275A	2-149	578160000	3-75
47512	2-169	54333	2-31, 2-41, 2-75, 2-77, 2-87, 2-89, 2-93, 2-143, 3-13, 3-19, 3-23, 3-25, 3-27, 3-29, 3-33, 3-35, 3-37, 3-39, 3-41, 3-47, 3-49, 3-51, 3-53, 3-55, 3-79, 3-81, 3-83	578161000	3-77
47513	2-151, 2-169			578164000	3-77
47522	2-95			578214000	3-77
47585	2-21	54390	2-97	578228000	3-77
47719	3-13	54607	2-99	578276000	3-75
				578318000	3-75
				578439	3-77
				578820000	3-75
				578821000	3-77
				579112	3-77
				57946	2-163
				58311	2-99

CROSS REFERENCE

Part Number	Page Number	Part Number	Page Number	Part Number	Page Number
58366	2-65	65582	3-77	74100	4-8, 4-9
58494	2-19	65610	3-77	74101	4-11
58589	2-91	65695	2-105, 2-107	74122	4-5
58590	2-91	67004	3-73, 3-79, 3-81	74123	4-5
58592	2-173	67555	2-109	74125	4-5
58819	2-11, 2-13, 2-101	67767	2-41, 2-59, 2-91, 2-101, 2-145	74165	4-5
58842	2-95	67811	2-169	74166	4-5
58979	2-113, 2-145	68866	2-101	74167	4-5
59009	2-99	68869	2-93	74168	4-5
59156	2-91, 3-11	69173	2-113, 2-175	74180	4-7
59194	2-129	69234	2-77, 2-91	74183	4-23
59195	2-133	69582	2-99	74185	4-23
59378	4-10	69785	2-135	74193	4-23
59577	2-21	70096	4-7	74196	4-23
59633	3-11	70100	4-7	74222	4-23
59668	2-101	70157	2-13, 2-151	74225	4-7
60090	3-15	70563	2-105, 2-107	74226	4-7
602036000	3-77	70622	2-21	74232	4-23
60295	2-93	70623	2-21	74233	2-149, 4-10
607775	4-27	70624	2-113	74237	4-7
61212	3-79, 3-81	70709	2-21	74243	4-23
61490	4-8, 4-9	70717	2-21	74244	4-23
61869	2-33	71100	2-117	74245	4-23
62471	2-171	71101	2-117	74250	4-8, 4-9, 4-11
62595-15	2-89	71340	2-95	74440	2-103
630164	3-47	71341	2-95	74455	2-59, 2-171
63175-1	3-11	71367	2-99	75456-3	2-149
63233	3-11	71369	2-109	75456-4	2-149
63234	2-103	71579	2-11, 2-121	75968	2-21
63244-2	3-3	71607	2-129, 2-133	760740	2-121
63245-1	3-19, 3-29, 3-41, 3-55	71726	2-173	76099	2-111, 3-21, 3-25, 3-29, 3-37, 3-41, 3-51, 3-55
63378	2-91	71727	2-175	761490	2-11, 3-13
63430	3-73	71729	2-105, 2-107, 4-8	762249	3-19
63448	3-73	71735	2-161	762282	2-33, 2-43
63451	3-73	71741	2-161	762514	2-93
63468	2-125	71868	3-11	763090	2-109
63810	2-29, 2-31, 2-33, 2-36, 2-41, 2-43, 2-141, 2-143, 3-3, 3-5, 3-13, 3-23, 3-25, 3-35, 3-37, 3-39, 3-49, 3-51, 3-53, 3-79, 3-83, 3-85	71869	3-11	763114	3-19
63923	4-24	71874	3-11	763115	3-64, 3-65
63987-1	2-143, 3-47	71941	2-23	763116	3-19, 3-25, 3-37, 3-51
64425	2-125, 2-127, 2-129, 2-131, 2-133, 3-7	72926	2-95	76315	2-151
64743	3-19	72968	3-47, 3-73, 3-79, 3-81	76426	2-145
64778	3-47, 3-83, 3-85	72970	2-21	76570	2-79, 2-139, 2-147
65145-1	2-169	73027	2-21	76888	2-19
65180	2-125	73260	3-3, 4-24	76958	2-53
65197	2-161	73281	2-95	769785	3-83, 3-85
65215	2-173	73342	4-3	77003	4-15, 4-21
65230	4-9	73411	2-103	77005	4-13, 4-15, 4-17, 4-19, 4-21
65241	4-8	73433	3-3	77006	4-15, 4-21
65340	3-77	73468	3-3, 3-33, 3-47	77097	2-113, 2-117, 2-129, 2-133, 2-175, 3-11
65341	3-75	73471	2-29, 2-31, 2-36, 2-41, 2-59, 2-65, 2-85	77098	2-109, 2-115, 2-151, 3-11
65342	3-79, 3-81	73736	2-17	77221	2-228
65441	2-101	74027	2-123	77345	2-95
65580	3-73, 3-79, 3-81	74077	2-25	77347	2-11
65581	3-47	74090	2-139, 2-147	77488	2-117
		74094	4-8, 4-9, 4-11	78122	2-91, 3-79, 3-81
		74095	4-8		
		74098	4-8, 4-11, 4-15, 4-21		
		74099	4-8		

CROSS REFERENCE

Part Number	Page Number	Part Number	Page Number	Part Number	Page Number
78398	3-3, 4-3	9001327	3-61	9003793	2-139
78829	4-3	9001331	3-63	9003794	2-147
78830	4-3	9001717	3-65	9003797	2-145
78833	4-3	9001718	3-64	9003832	2-57
78836	4-3	9002380	2-13	9003893	2-145
78838	4-3	9002381	2-13	9003926	3-93
78839	4-3	9002391	2-17	9003997	2-59
78840	4-3	9002392	2-17	9004118	2-135
78841	4-3	9002394	2-55, 2-57	9004493	2-119
78842	4-3	9002395	2-87	9004674	5-11
78843	4-3	9002398	2-173	9004675	5-11
78875	4-24	9002401	2-11	9004880	2-17
78950	4-25	9002409	2-13	9004983	2-57
78951	4-25	9002436	2-17	9005165	2-135, 2-136
78952	4-25	9002437	2-17	9006257	3-93
79273-1	3-23, 3-25, 3-27, 3-29	9002553	1-1	9006334	2-11, 3-13
79273-2	2-141, 2-143	9002554	1-1	9006386	2-107
79380	2-149	9002555	1-1	9006398	2-105, 2-107
79381	2-55, 2-57, 2-59, 2-65, 2-85, 3-73	9002613	1-1	9006562	2-167
79484	3-3	9002670	2-135	9006592	2-89
79497	3-3	9002684	2-149	9006618	2-39, 6-30
79506	2-139, 2-147	9002708	4-3	9006619	2-33, 2-39, 6-28
79729	4-5	9002709	4-3	9006620	2-43, 6-29
79828	4-5	9003009	4-30	9006634	2-27
80288	2-13	9003055	2-123	9006635	2-27
80395	2-119, 2-139, 2-147	9003057	2-127, 2-131	9006811	2-63
80409	2-125	9003058	2-121	9006813	2-63
80950	2-125	9003059	2-121	9006895	2-27
81582	2-123	9003060	2-117	9006917	2-53
81784	2-129, 2-133	9003061	2-113	9007088	2-53
81952	2-125	9003068	2-136	9007131	3-59
82727	2-13	9003069	2-135	9007142	2-169
82832	2-95	9003070	2-136	9007380	1-1, 2-43, 6-29
82839	3-13	9003071	2-135	9007381	1-1
83578	2-29, 2-31, 2-36, 2-41	9003072	2-145	9007382	1-1
83874	1-1, 2-119	9003134	3-73	9007423	2-39, 6-30
83879	2-103	9003135	3-89	9007424	2-39, 6-30
84170	2-103	9003139	3-83	9007513	2-11
84597	1-2	9003142	3-71	9007552	2-43
86508	3-3	9003143	3-87	9007553	2-43
86636	2-145	9003247	2-113	9007882	3-45, 4-27
86659	2-97	9003249	2-113	9007883	4-27
86751	2-99	9003282	3-85	9007914	2-17
86759	3-7	9003313	2-145	9007915	2-17
86767	3-73	9003345	5-3	9008193	6-29
86866	2-109, 2-115, 2-117	9003390	2-31, 2-33	9008197	2-27, 5-7
87536	2-17	9003391	2-39	9008248	2-95
87631	2-105, 2-107	9003422	2-13	9008395	2-27
87730	2-87	9003423	2-13	9008757	4-30
87738	2-65, 2-85	9003425	2-13	9008804	6-29
87816	2-129, 2-133	9003426	2-13	9008805	6-25, 6-29
87866	1-1, 2-17	9003428	2-13	9008806	6-30
9000355	2-87, 2-89	9003429	2-13	9008807	6-30
9000845	3-63, 3-65	9003431	2-13	9008808	6-30
9000846	3-61, 3-64	9003432	2-13	9008848	4-30
9000879	3-61, 3-63, 3-64, 3-65	9003433	2-13	9008868	3-33, 4-30
9001314	3-67	9003455	2-149	9010085	3-69
9001316	3-92	9003461	2-149	9010086	3-69
9001321	3-59	9003610	2-89	9010096	2-83
		9003679	2-11	9010097	2-83

CROSS REFERENCE

Part Number	Page Number	Part Number	Page Number	Part Number	Page Number
9010215	6-22	9010281	6-15	9010431	6-3, 6-5
9010217	6-20	9010282	6-15	9010432	6-3
9010219	6-20	9010283	6-15	9010433	6-3
9010222	6-17	9010284	6-15	9010434	6-3
9010223	6-17	9010285	6-15	9010435	6-3
9010224	6-17	9010286	6-15	9010436	6-3
9010225	6-17	9010287	6-15	9010437	6-3
9010226	6-17	9010288	6-15	9010438	6-3
9010227	6-17	9010289	6-22, 6-23	9010439	6-3
9010228	6-17	9010290	6-22	9010440	6-3
9010229	6-17, 6-21	9010291	6-22	9010441	6-3, 6-5
9010230	6-17	9010293	6-22	9010442	6-3
9010231	6-17	9010294	6-22	9010443	6-3
9010232	6-18	9010295	6-22	9010444	6-3
9010233	6-18	9010296	6-16	9010445	6-3
9010234	6-18	9010297	6-16	9010446	6-3
9010235	6-18	9010298	6-16	9010447	6-3
9010236	6-18	9010302	6-16	9010448	6-3
9010237	6-18	9010303	6-16	9010449	6-3
9010238	6-18	9010305	6-23	9010450	6-3
9010239	6-16, 6-18	9010306	6-23, 6-26	9010451	6-3
9010240	6-18, 6-19	9010307	6-23	9010452	6-3
9010241	6-18	9010308	6-23	9010453	6-3
9010242	6-18	9010309	6-23	9010454	6-3
9010243	6-19	9010310	6-23	9010455	6-3
9010244	6-19	9010311	6-7	9010456	6-3
9010245	6-20	9010312	6-7	9010457	6-3
9010246	6-20	9010313	6-7	9010458	6-3
9010247	6-25	9010314	6-30	9010459	6-3
9010248	6-25	9010317	6-29	9010460	6-4
9010249	6-25	9010327	6-26	9010461	6-4
9010250	6-9	9010330	6-27	9010462	6-4
9010251	6-9	9010331	6-27	9010463	6-4
9010252	6-9	9010359	6-18	9010464	6-4
9010253	6-9, 6-21	9010360	6-18	9010465	6-4
9010254	6-9	9010366	6-25	9010466	6-4
9010255	6-25	9010367	6-25	9010467	6-5
9010256	6-25	9010371	6-21	9010468	6-5
9010257	6-25	9010372	6-21	9010469	6-5
9010258	6-25	9010373	6-21	9010470	6-5
9010260	6-25	9010374	6-21	9010471	6-5
9010261	6-25	9010375	6-21	9010473	6-5
9010262	6-16, 6-25, 6-29	9010376	6-21	9010480	6-5
9010263	6-25	9010377	6-21	9010481	6-5
9010264	6-25, 6-29	9010380	6-21	9010482	6-5
9010266	6-27, 6-28	9010382	6-15	9010483	6-5
9010267	6-28	9010383	6-15	9010484	6-5
9010268	6-27, 6-28	9010384	6-15	9010485	6-5
9010269	6-28	9010419	6-3	9010487	6-7
9010270	6-28	9010420	6-3	9010488	6-7
9010271	6-28	9010421	6-3	9010489	6-7
9010272	6-29	9010422	6-3	9010490	6-7
9010273	6-29	9010423	6-3	9010491	6-7, 6-9
9010274	6-29	9010424	6-3	9010492	6-7
9010275	6-29	9010425	6-3	9010493	6-7
9010276	6-29	9010426	6-3, 6-12	9010494	6-7
9010277	6-29	9010427	6-3	9010495	6-7
9010278	6-29	9010428	6-3	9010496	6-7
9010279	6-29	9010429	6-3	9010497	6-7
9010280	6-29	9010430	6-3	9010498	6-7

CROSS REFERENCE

Part Number	Page Number	Part Number	Page Number	Part Number	Page Number
9010502	6-7	9010567	6-9	9011343	4-19, 4-21
9010503	6-7, 6-13	9010568	6-9	9011345	4-19, 4-21
9010504	6-7	9010569	6-9	9011346	4-19, 4-21
9010505	6-7	9010570	6-11	9011347	4-19, 4-21
9010506	6-7	9010571	6-11	9012585	4-29
9010507	6-7	9010572	6-11	9012587	4-29
9010508	6-7	9010574	6-11	9012589	4-29
9010511	6-7	9010575	6-11	9012590	4-29
9010512	6-7	9010576	6-11	9012591	4-29
9010513	6-10	9010577	6-11	9012592	4-29
9010514	6-10	9010578	6-11	9012593	4-29
9010515	6-10	9010579	6-11	9012594	4-29
9010516	6-10	9010580	6-11	9012595	4-29
9010517	6-10	9010581	6-12	9012597	2-57
9010518	6-10	9010582	6-12	9013159	2-81
9010519	6-10	9010583	6-12	9014160, 1-1, 6-19	
9010520	6-10	9010585	6-12	9014202	2-67, 2-69
9010521	6-10	9010586	6-12	9014281	3-47
9010522	6-10	9010587	6-12	9014662	2-6, 2-8
9010523	6-10	9010589	6-12	9014666	2-6, 2-8
9010524	6-10	9010590	6-12	9014667	2-6
9010525	6-10	9010591	6-12		
9010526	6-10	9010592	6-12		
9010527	6-10	9010593	6-12		
9010528	6-10	9010594	6-12		
9010529	6-10	9010595	6-12		
9010530	6-9	9010596	6-12		
9010531	6-9	9010597	6-12		
9010532	6-9	9010598	6-12		
9010533	6-9	9010599	6-12		
9010534	6-9	9010600	6-11, 6-12		
9010535	6-9	9010601	6-12		
9010536	6-9	9010602	6-13		
9010537	6-9	9010603	6-13		
9010538	6-9	9010604	6-13		
9010539	6-9	9010606	6-13, 6-15		
9010540	6-9	9010607	6-13		
9010541	6-9	9010609	6-13		
9010542	6-9	9010610	6-13		
9010543	6-9	9010612	6-13		
9010544	6-9	9010613	6-15		
9010545	6-9	9010615	6-15		
9010546	6-9	9010617	6-15		
9010547	6-9	9010618	6-15		
9010548	6-9	9010619	6-16		
9010549	6-9	9010622	1-1, 6-19		
9010550	6-9	9010623	6-17		
9010551	6-9	9010624	6-17		
9010552	6-9	9010625	6-17		
9010554	6-9	9010626	6-29		
9010555	6-9	9010628	6-21		
9010556	6-9	9010629	6-21		
9010557	6-9	9010630	6-21		
9010559	6-9	9010631	6-21		
9010560	6-9	9010634	2-39, 6-30		
9010561	6-9	9010635	3-93		
9010562	6-9	9010904	2-85		
9010563	6-9	9010905	6-22		
9010564	6-9	9010910	6-22		
9010565	6-9	9010988	3-91		

PART DESCRIPTION TO PAGE NUMBER CROSS REFERENCE LIST

A

Ace, Thrust, Motor, Hyd [En], 4-9, 4-11
 Actuator [Mit , Bosch], 6-27, 6-28
 Actuator, Valve, By-Pass [En], 4-7
 Adapter, 6-28
 Adapter , 2-33, 2-39
 Adapter [1.6], 2-35
 Adapter, Head / Wand [17b/E], 3-77
 Adapter, Filter, Oil, Remote [Mit], 6-21
 Adapter, Intake, Throttle Body, 2-29, 2-31, 2-39
 Adapter, Plate, 2-35
 Adapter, Rod-End, Side Brush, 3-11
 Adapter, Throttle Body, 2-35
 Adapter, Valve, 400mm [Bosch], 2-39
 Adapter, Valve, Fuel Trim, 2-35
 Adjuster Assy, Lash, 6-9
 Alarm Assy, Backup, 12/48Vdc, 3-59
 Alarm Kit, Backup, Ci [M20 And T20], 3-59
 Alarm, 9-48vdc, 95 Db(A) [Ec-H20], 3-45
 Alarm, Warning [Sonalert, St628], 2-93
 Alternator, 12vdc 075a [Multi Grv], 2-53
 Alternator, 7si [Mit Df Sur- Belt], 6-20
 Angle, Brace, Shrd, 2-25
 Angle, Deflector, 2-111
 Angle, Mtg, 2-103
 Angle, mtg, Antenna, Telem, 3-69
 Angle, Mtg, Stl, .12 3.7 3.4 09.1l, 2-139, 2-147
 Angle, Mtg, Stl, .12 4.2 2.0 01.4l, 2-135
 Angle, Mtg, Stl, .18 2.2 1.9 03.0l, 2-135
 Angle, Mtg, Stl, .19 3.1 1.8 01.4l, 2-135
 Angle, Mtg, Valve, 2-139, 2-147, 3-13
 Angle, Protector, Lh, 2-117
 Angle, Protector, Rh, 2-117
 Angle, Sppt, Fan, 2-149, 2-151
 Antenna, Telem, 70 In [Gprs], 3-69
 Arm [Positioning], 2-103
 Arm Assy, Rocker [A], 6-9
 Arm Assy, Rocker [B], 6-9
 Arm Assy, Rocker [C], 6-9
 Arm Wldt, Alternator [Mit 2013], 2-79
 Arm Wldt, Lift, Sqge, Lh, 2-133
 Arm Wldt, Safety, Sppt, Seat, .38d 06.5d, 2-19
 Arm Wldt, Safety, Sppt, Seat, .38d 10.1l, 2-145
 Arm Wldt, Sqge, Lift, Rh, 2-129
 Arm, Cntrl, Pintle, Centering, 2-103
 Arm, Lever, Brake, 4.1 [Knott], 2-97
 Arm, Lift, Head [5700], 2-115
 Arm, Link, 3-11
 Arm, Pinch, 2-139, 2-147
 Arm, Pintle, 2-103
 Arm, Rocker, Valve, 5-3
 Arm, Sqge, Side, Lh, 2-133
 Arm, Sqge, Side, Rh, 2-129
 Armrest, 4-29
 Armrest, Rh, 2-19
 Axle, Wand [17b/E], 3-77

B

Bag, Power, 3-73, 3-79, 3-81
 Ball, Camshaft, 5-11
 Bar Wldt, Retainer, Sqge, Rear, 2-119
 Bar, Flat, Ss, .06 X .50 X 10.0l 2/.19sl, 2-17
 Bar, Flat, Stl 0.19, 01.50 X 04.1l, 2-95
 Bar, Retainer, 3-7
 Bar, Rnd, Plstc, 0.31d 12.5l, 2-135, 2-136
 Bar, Tensioner, Mtg [Mit 2.0/2.4l], 6-17
 Base Assy, Fan, W/O Pulley, 2-53
 Battery, 12vdc, 0475cca, Ah, Wet, 2-93
 Battery, Wet, 12vdc 0475cca, 1-1
 Bearing Kit [Cl], 4-23
 Bearing Kit, Cshft, 1.989- 1.995mm (Brown), 5-5
 Bearing Kit, Cshft, 1.989- 1.995mm (Green Blue), 5-5
 Bearing Kit, Cshft, 1.995- 2.001mm (Brown Blue), 5-5
 Bearing Kit, Cshft, 1.995- 2.001mm (Green), 5-5
 Bearing Kit, Cshft, 2.114- 2.120mm, 5-5
 Bearing Kit, Cshft, 2.120- 2.126mm, 5-5
 Bearing Kit, Rod, Connecting, Std, 5-5
 Bearing, Ball, 0.98b 2.05d 0.59w, 2-105, 2-107
 Bearing, Ball, 1.18b 2.44d 0.63w, 2-97
 Bearing, Ball, 20mm B 42mm D 12mm W, 2-53, 2-79, 3-91
 Bearing, Cone, 1.38b 0.71w, 2-95
 Bearing, Cone, Pump, Hyd, 4-7
 Bearing, Cshft [Black Std 3], 6-3
 Bearing, Cshft [Green Std 3], 6-3
 Bearing, Cshft [Lan Std 1,2,4,5], 6-3
 Bearing, Cshft [Lan Std 3], 6-3
 Bearing, Cshft [No Color Std 3], 6-3
 Bearing, Cshft [Red Std 1,2,4,5], 6-3
 Bearing, Cshft [Yellow Std 3], 6-3
 Bearing, Cshft [Green Std 1,2,4,5], 6-3
 Bearing, Cshft [Yellow Std 1,2,4,5], 6-3
 Bearing, Cshft[No Color Std 1,2,4,5], 6-3
 Bearing, Cup, 4-7
 Bearing, Cup, 2.56d 0.55w, 2-95
 Bearing, Fng, 2- Hole, 0.50b, 2-21
 Bearing, Fng, 2hole, 0.50b [Nyl], 2-21
 Bearing, Oversize [1.0], 6-3
 Bearing, Pillowblock, 1.02b [Solid Pye], 2-99
 Bearing, Rlr, Cam 52 X 14 X 20, 2-121
 Bearing, Rod, Connect [Lan Std], 6-10
 Bearing, Rod, Connect [No Color Std], 6-10
 Bearing, Rod, Connect [Yellow Std], 6-10
 Bearing, Self Align, 0.75b 1.25d, 2-109, 2-115
 Bearing, Shaft, Balancer [Ovrz], 6-3
 Bearing, Shaft, Std, Balancer, 6-3
 Bearing, Split, 1.00b, 2-99, 2-117
 Bearing, Std, Balancer, 6-3
 Bearing, Thrust, 4-9, 4-11

Bearing, Thrust, 0.53b 1.00d 0.03w, 3-11
 Bearing, Thrust, 0.75b 1.25d 0.06w, 2-121
 Bearing, Thrust, Cshft, 6-3
 Bearing, Thrust, Pump, Hyd, 4-7
 Bellows, Seat, 4-29
 Belt, Ribbed, 38.5l, 1-1, 2-53
 Belt, Ribbed, Alternator, 41.5l, 2-79
 Belt, Ribbed, Fan, 42.13l, 2-79
 Belt, Timing, 6-9, 6-11
 Belt, Timing [Gm1.6L], 5-11
 Blade, Sqge, .38 3.55w 038.3l, Linatex, 2-127
 Blade, Sqge, .38 3.55w 038.3l, Ure, 1-1
 Blade, Sqge, .38 3.55w 038.3l, Ure (Option), 2-127, 2-131
 Blade, Sqge, 300.8mm, Wand [17b/E, G], 3-77
 Blade, Sqge, 37.08l Linatex, 1-1, 2-131
 Blade, Sqge, Front [Linard], 1-1
 Blade, Sqge, Front, 49.58l [Linard], 2-119
 Blade, Sqge, Front, 49.58l Ure (Option), 2-119
 Blade, Sqge, Front, 49.59l Pyu, 1-1
 Blade, Sqge, Rear, 53.78l Pyu, 1-1
 Blade, Sqge, Rear, 53.78l Ure (Option), 2-119
 Blade, Sqge, Rear, Linatex, 1-1, 2-119
 Blade, Sqge, Side Brush, Linatex, 1-2, 3-9
 Blade, Sqge, Side Brush, Urethane, 1-2, 3-9
 Block Assy, Cylinder, 6-3
 Block, Centering, 2-117
 Block, Short, Eng, W/ Piston & Ring, 5-5
 Block, Spacer, 2-79
 Bolt, 6-7, 6-21
 Bolt, 3/8- 16 X 1 1/4 Hxhd [Mit], 6-17
 Bolt, 3/8- 16 X 4.5 [Mit], 6-17
 Bolt, Belt, Balancer, Train, 6-11
 Bolt, Bracket, Sensor,Cshft Position, 5-7
 Bolt, Bracket,Screen,Oil Pump,M6x1x1, 5-7
 Bolt, Camshaft Cover, 5-3
 Bolt, Cap, Bearing, 6-3
 Bolt, Carriage, M06 X 1.00 X 40, 4.6, 3-45
 Bolt, Carriage, M10 X 1.5 X 70, 2-125
 Bolt, Connecting, 6-10
 Bolt, Connecting Rod, 5-5
 Bolt, Cover, Camshaft, M6 X 1 X 22, 5-11
 Bolt, Cover, Oil Pump, M6 X 14, 5-7
 Bolt, Cover, Water Pump, 5-7
 Bolt, Eng Cover, M6 X 1 X 13, 5-11
 Bolt, Eye, .25- 20 X 1.40 X .25 Eye, 2-103
 Bolt, Eye, M08 X 1.25 X 070mm, 05.50 Eye, 2-129, 2-133
 Bolt, Flange, 6-3, 6-5, 6-7, 6-9, 6-11, 6-12, 6-13, 6-15
 Bolt, Flywheel, 5-5
 Bolt, Flywheel [Mit 20/24m], 6-18
 Bolt, Head, Cyl, 5-3
 Bolt, Hsng, Thermostat, 5-3
 Bolt, M06 X 1.00 X 13mm, 5-8

CROSS REFERENCE

- Bolt, M08 X 1.25 X 25mm, 5-5
Bolt, M10 X 1.50 X 75mm, 5-5
Bolt, M10- 1.25 X 20 Hxhd [Mit], 6-25
Bolt, M10- 1.25 X 30 Soc Hd [Mit], 6-18
Bolt, M10- 1.25 X 45 Soc Hd [Mit], 6-18
Bolt, M10- 1.50 X 30 [Mit], 6-20
Bolt, M12 X 1.75 X 62mm, 5-5
Bolt, M12- 1.75 X 25, Hex Hd [Mit], 6-18
Bolt, M6- 1.0 X 10 Fl Hd [Mit], 6-16, 6-25, 6-29
Bolt, M6- 1.0 X 12 Fl Hd PI [Mit], 6-25
Bolt, M6- 1.0 X 16 Fl Hd [Mit], 6-25
Bolt, M6- 1.0 X 20 Fl Hd [Mit], 6-18, 6-19
Bolt, M6- 1.0 X 25 Soc Hd [Mit], 6-28
Bolt, M6- 1.0 X 30 Fl Hd [Mit], 6-25
Bolt, M6- 1.0 X 45, Skt Hd [Mit], 6-27
Bolt, M6- 1.0 X 85 Soc Hd [Mit], 6-28
Bolt, M8- 1.25 X 12 [Mit], 6-23
Bolt, M8- 1.25 X 15, Hx Hd [Mit], 6-18
Bolt, M8- 1.25 X 16 Fl Hd [Mit], 6-29
Bolt, M8- 1.25 X 16, Soc Hd [Mit], 6-26
Bolt, M8- 1.25 X 20 Fl Hd [Mit], 6-17
Bolt, M8- 1.25 X 25 [Mit], 6-17, 6-21
Bolt, M8- 1.25 X 25 Flg Hd [Mit], 6-23
Bolt, M8- 1.25 X 25 Soc Hd [Mit], 6-17
Bolt, M8- 1.25 X 55 Fi Hd [Mit], 6-9
Bolt, M8- 1.25 X 65 Hxhd [Mit], 6-9
Bolt, M8- 1.25 X 70 Hxhd [Mit], 6-9, 6-21
Bolt, Manifold, Inlet, 6-15
Bolt, Motor, Hyd, 4-5
Bolt, Oil Pump Screen/Camshaft Cover, 5-7
Bolt, Pan, Oil, 5-8
Bolt, Pulley, Cshft, 5-5
Bolt, Pump, Oil, 5-7
Bolt, Retainer, Camshaft, M6 X 1 X 16, 5-11
Bolt, Rocker, Cover, 6-4
Bolt, Seal, 6-9
Bolt, Sensor, Position, Cshft, 5-7
Bolt, Shield, Manifold, Exhaust, 5-9
Bolt, Shld, .31d X 1.00, .25-20, 2-103
Bolt, Shld, 1.37d X 5.13l, 1.1-18 Drilled, 2-95
Bolt, Soc Head, M5 X 80 X 35, 2-39
Bolt, Sprocket, Camshaft, M10x1.25x60, 5-11
Bolt, Sprocket, Cshft, 6-10
Bolt, Tensioner [GM], 5-11
Bolt, Tensioner, Timing Belt, M8x1.25x48, 5-11
Bolt, Tube [Pvc], M6 X 1 X 15, 5-3
Bolt, Washer, 6-9, 6-10, 6-12, 6-17
Boot, .63id .29l .90w, 2-17
Boot, Bellows, 3.1l 4.4w 2.8h 1hole, Neo, 2-21
Boot, Circuitbreaker, 3-45
Boot, Switch, Ignition, 2-17
Bracket Assy, Coil, Ignition, 6-7
Bracket Kit, Alternator, Repair, 2-53
Bracket Wldt, Alternator [Mit13], 2-79
Bracket Wldt, Alternator, Lower [Gm1.6l], 2-53
Bracket Wldt, Arm, Lower Cntrl, 2-115
Bracket Wldt, Brush Wrap Mtg, Rh, 2-109
Bracket Wldt, Brush Wrap, Lh, 2-109
Bracket Wldt, Cooler, Hyd Fluid, 2-171
Bracket Wldt, Head, Lower, Lh, 2-115
Bracket Wldt, Head, Lower, Rh, 2-115
Bracket Wldt, Latch, 2-23
Bracket Wldt, Mtg [FaST Gen 2+], 3-33
Bracket Wldt, Mtg [FaST], 3-21
Bracket Wldt, Mtg, Caster, 2-125
Bracket Wldt, Mtg, Eng, 2-27
Bracket Wldt, Mtg, Eng, Back, Gas/Lpg, 2-27
Bracket Wldt, Mtg, Eng, Rear [Mit 2013], 2-67, 2-69
Bracket Wldt, Mtg, Engine [Mit 2013], 2-67, 2-69
Bracket Wldt, Mtg, Fan, Upper, 2-63
Bracket Wldt, Mtg, Hose, 2-13
Bracket Wldt, Mtg, Reg, Lpg[Gm 2010], 2-43
Bracket Wldt, Mtg, Regulator, Lpg, 2-41
Bracket Wldt, Mtg, Side Brush, 3-7
Bracket Wldt, Mtg, Side Brush Fixed, 3-9
Bracket Wldt, Mtg, Sqge, 2-125
Bracket Wldt, Mtg, Tank, 2-13
Bracket Wldt, Pivot, 2-121
Bracket Wldt, Propel, Pintle, 2-103
Bracket Wldt, Radiator, Fan, Gas/Lpg, 3-91
Bracket Wldt, Steering, Tilt, 2-21
Bracket Wldt, Tilt, Rh, 2-21
Bracket, Anchor, Strap, Alternator, 2-53
Bracket, Angle, Sppt, Shield, 2-115
Bracket, Angle, Stop, 2-121
Bracket, Axle, 1 Hole [17b/E], 3-77
Bracket, Axle, 3 Hole [17b/E], 3-77
Bracket, Coil [Mit 2.0/2.4l], 6-19
Bracket, Cover, 2-63
Bracket, Fan, Lh, 2-63
Bracket, Fan, Rh, 2-63
Bracket, Fan, Upper, Lh, 2-63
Bracket, Filter, Oil, Remote [Mit], 6-21
Bracket, Ftg, Bh, 2-59
Bracket, Guide, Shrd, 2-25
Bracket, Indicator, Timing, 6-9
Bracket, Keeper, Latch, 2-136
Bracket, Latch, Cover, 2-25, 2-136, 3-87
Bracket, Latch, Keeper [Southco], 2-25
Bracket, Latch, Shrd, Seat, 2-19
Bracket, Lift, Sqge, 2-125
Bracket, Mtg, 2-13
Bracket, Mtg [Ecu], 2-29, 2-35
Bracket, Mtg [FaST Gen 2+], 3-33
Bracket, Mtg [FaST], 3-21
Bracket, Mtg, Alternator [Mit 2013], 2-79
Bracket, Mtg, Cable, 2-99
Bracket, Mtg, Cover, Recvy Tank, 2-145
Bracket, Mtg, Cyl, 2-103, 2-129, 2-133
Bracket, Mtg, Detgt And Spray Wand, 3-5
Bracket, Mtg, Ecu, 2-39
Bracket, Mtg, Ecu [M20/T20 2007], 2-31, 2-33
Bracket, Mtg, Fan, 2-149
Bracket, Mtg, Fltr, Air, 2-45, 2-47, 2-49, 2-51
Bracket, Mtg, Fltr, Air [Mit 2013], 2-75, 2-77
Bracket, Mtg, Fuel, 2-87
Bracket, Mtg, Insulation, 2-13
Bracket, Mtg, Latch, 2-59
Bracket, Mtg, Latch, Tank Cover, 2-135, 2-136
Bracket, Mtg, Lift, Scb Head, 2-109
Bracket, Mtg, Mirror, Rearview, 3-67
Bracket, Mtg, Motor, 2-149
Bracket, Mtg, Muffler [M20/T20 2007], 2-57, 2-81
Bracket, Mtg, Prop Rod, 2-145
Bracket, Mtg, Pump, 3-79, 3-83
Bracket, Mtg, Radiator, 2-59, 2-63, 2-83
Bracket, Mtg, Scb Head, Lh, 2-109
Bracket, Mtg, Scb Head, Rh, 2-109
Bracket, Mtg, Skirt, 2-111
Bracket, Mtg, Skirt, Door, Brush, 2-127, 2-131
Bracket, Mtg, Sppt, 2-95
Bracket, Mtg, Spray Handle, 3-83, 3-85
Bracket, Mtg, Spray Wand [FaST, Conv], 3-83, 3-85
Bracket, Mtg, Spring, 2-109
Bracket, Mtg, Sqge, 3-7
Bracket, Mtg, Sqge, Disk Head (Disk Scrub Head), 2-11
Bracket, Mtg, Static Strap, 2-121
Bracket, Mtg, Strainer, 3-5
Bracket, Mtg, Tank, 2-135
Bracket, Mtg, Torque Tube, 2-115
Bracket, Mtg, Valve, 2-141, 3-3
Bracket, Mtg, Valve, Hyd, Scb, 2-175
Bracket, Mtg, Wand, 3-79, 3-81
Bracket, Muffler, 2-81
Bracket, Muffler, Hanger, Front, 2-55
Bracket, Propel, G/Lpg [Mit 2013], 2-103
Bracket, Propel, Gas/Lpg, 2-103
Bracket, Pulley, Tensioner, 6-9
Bracket, Pump, Mtg, 6-17
Bracket, Reg [1.6l], 2-35
Bracket, Retainer, Lh, 2-105
Bracket, Retainer, Pump, 3-33
Bracket, Retainer, Rh, 2-107
Bracket, Retainer, Safety, 2-103
Bracket, Retainer, Shield, Heat, 2-55
Bracket, Retainer, Spring, 2-6, 2-8
Bracket, Retaining, Hose, 2-139, 2-147, 3-87
Bracket, Retaining, Wire, Sparkplug, 5-12
Bracket, Screen, Oil Pump, 5-7
Bracket, Seat, Adj, 2-19
Bracket, Sensor, Position, Cshft, 5-7
Bracket, Shield, Heat, 2-25
Bracket, Shrd, Fan, Lower, Gas/Lpg, 3-91
Bracket, Shrd, Fan, Lower, Sppt, G/Lpg, 2-83
Bracket, Shrd, Fan, Upper, Sppt, G/Lpg, 2-83

Bracket, Shrd, Fan, Upper, Sppt, Gas/Lpg, 3-91
 Bracket, Shrd, Radiator, Gas/Lpg, Ce, 3-91
 Bracket, Skirt, Rbr, 2-63
 Bracket, Spacer, Controlbox, 3-69
 Bracket, Sppt, 2-105, 2-107
 Bracket, Sppt, Cover, Tank, Recvy, 2-145
 Bracket, Sppt, Radiator, Upper, 2-60
 Bracket, Sppt, Revl Light, 3-61, 3-63
 Bracket, Sppt, Shield, 2-121
 Bracket, Sppt, Strobe Light, 3-59
 Bracket, Spring, 2-121
 Bracket, Tensioner, [Mit 2.0/2.4], 6-17
 Bracket, Tube, Coolant, 2-65
 Bracket, Valve, Sba [M20 And T20], 3-15
 Bracket, Valve, Water, 2-143
 Bracket, Vaporizer [Mit 20/24m Tilt], 6-29
 Bracket, Wand, Handle, 3-77
 Bracket, Wand, Valve Mtg, 3-77
 Brake Assy, Drum, Mech, 07.0d 1.2w, 2-97
 Brkt, Ftg, 2-113
 Brush Assy, Disk, Scb, 14.0d, Nylon, 2-6
 Brush Assy, Disk, Scb, 14.0d, Polypropylene, 2-6
 Brush Assy, Disk, Scb, 14.0d, Super Abrasive, 2-6
 Brush Assy, Disk, Scb, 16.0d, Heavy Duty Polypropylene, 2-8
 Brush Assy, Disk, Scb, 16.0d, Nylon, 2-8
 Brush Assy, Disk, Scb, 16.0d, Super Abrasive, 2-8
 Brush Assy, Disk, Scrub, 14.0 D, Polypropylene (Replaced by 1220237), 2-6
 Brush Assy, Disk, Scrub, 14.0 D, Soft Nylon (Replaced by 1220238), 2-6
 Brush Assy, Disk, Scrub, 14.0 D, Super Abrasive (Replaced by 1220239), 2-6
 Brush Assy, Disk, Scrub, 16.0 D, Heavy Duty Polypropylene (Replaced by 1220236), 2-8
 Brush Assy, Disk, Scrub, 16.0 D, Super Abrasive (Replaced by 1221543), 2-8
 Brush Assy, Disk, Scrub, 16.0D, Nylon (Replaced by 1220235), 2-8
 Brush Assy, Disk, Sweep, 24.oD, Polypropylene (Replaced by 1220185), 2-8
 Brush Assy, Disk, Swp, 24.0d, Polypropylene, 2-8
 Brush Kit, Hub Assy, Drive, Ci [Comm], 2-6
 Brush Kit, Hub Assy, Drive, Ci [Hdpe In], 2-6, 2-8
 Brush Kit, Hub Assy, Drive, Ci [Uhmw], 2-6, 2-8
 Brush, Power Wand, W/ FaSTener, Abr, 3-77
 Brush, Power Wand, W/ FaSTener, Pyp, 3-77
 Brush, Sweep / Scrub, 40L, Heavy Duty Polypropylene, 2-6
 Brush, Sweep / Scrub, 40L, Polyester, 2-6

Brush, Sweep / Scrub, 40L, Polypropylene, 2-6
 Brush, Sweep / Scrub, 40L, Super Abrasive, 2-6
 Brush, Sweep / Scrub, 40L, Wndw, Super Abrasive, 2-6
 Bumper Kit, Hd, Ci [T20], 3-71
 Bumper Kit, Rear [T20], 2-11
 Bumper Wldt, Brush, Side, 3-7, 3-9
 Bumper Wldt, Rear, 2-11
 Bumper, Rbr, 0.5d 0.16t M5 X 08, 2-103
 Bumper, Rbr, 0.6d 0.34t .3d Tip, 2-171
 Bumper, Rbr, 1.00d 0.38th M8x1.25, 2-115
 Bumper, Sqge, 2-119
 Bumper, Ure, 1.50d 1.25l, 3-89
 Bushing, 6-3, 6-5
 Bushing, Eccentric, Adj, 2-139, 2-147
 Bushing, Flng, 0.32b 0.50d 0.24l, Bnz, 2-125
 Bushing, Flng, 0.50b 0.59d 0.38l, 2-139, 2-147
 Bushing, Flng, 0.63b 0.75d 0.38l, 2-125, 2-127, 2-131
 Bushing, Flng, 1.50b 1.65d 1.00l, 2-113
 Bushing, Knock, 6-3
 Bushing, M06-1.50 X .25-27npt, 2-29, 2-35
 Bushing, Sleeve, 0.37b 0.50d 0.50l, Oib, 2-99
 Bushing, Sleeve, 0.50b 0.59d 0.50l, Bnz, 3-11
 Bushing, Sleeve, 0.62b 0.72d 0.50l, Fgl, 2-125
 Bushing, Sleeve, 0.63b 0.72d 0.38l, 2-129, 2-133
 Bushing, Sleeve, 0.75b 0.88d 0.25l, 2-139, 2-147
 Bushing, Sleeve, 0.78b 0.86d 0.93l, Bnz, 2-97
 Bushing, Sleeve, 1.00b 1.13d 1.50l, Fgl, 3-11
 Button, Cntrl, Horn, 2-21
 Bypass Valve Kit, Pump, Repair,, 4-25

C

Cable, Battery, 02ga 48.0l Red .41ring, 2-93
 Cable, Battery, 02ga 60.0l Blk .41ring, 2-93
 Cable, Battery, 2ga, 60l, Red, 2-93
 Cable, Battery, 2ga, 62l, Blk, 2-93
 Cable, Glv .06d 012.0l .26eye /.26eye, 3-89, 3-91
 Cable, Glv .09d 016.5l .38eye /.38eye, 2-23
 Cable, Glv .13d 015.8l .50eye /.50eye, 2-129, 2-133
 Cable, Push / Pull, 063.0l 4.0, .31-24, 2-99
 Cable, Push / Pull, 098.0l .25-28/.25-28, 2-101
 Cable, Ss .12d 013.3l .2clevis /.2clevis, 2-117

Cam, 2-119
 Cam, Centering, Pintle, 2-103
 Cam, Front, 3-9
 Cam, Plt, Brake [Nickel], 2-97
 Cam, Rear, 2-119
 Cam, Sensor, Wheel [Mit 2.0/2.4], 6-25
 Camshaft, 5-11
 Camshaft Assy, 6-9
 Cap Assy, Tank, Drain, 2-145, 4-3
 Cap Screw, 4-8
 Cap Screw Cl, 4-9
 Cap, Breather, Hyd, 2.4 Ds, 1-1, 2-173
 Cap, End, Valve, Steering, 4-23
 Cap, Filler, Oil, W/ Org, 5-3
 Cap, Fuel, Tank, 2-89
 Cap, Hub, Dust 2.57d 0.77l, 2-97
 Cap, Oil, Filler, 6-4
 Cap, Radiator, 14psi [Stant Ao-2516], 2-59
 Cap, Radiator, 14Psi [Stant], 2-63, 2-83
 Cap, Rbr, 0.50id 1.18l Blk, 2-143
 Cap, Rubber, 5/8id [Mit 2.0/2.4], 6-22
 Cap, Seal, 6-3
 Cap, Spring, Valve, 5-3
 Cap, Tank, 3-5
 Cap, Tank, Fuel, 2.3neck 2.6d, 2-87
 Cap, Vinyl, 57mmid X 23mml, 2-105, 2-107
 Capacitor, Plug [4700uf, 25v], 3-58
 Cartridge, Psi Cntrl, Valve, Hyd, 4-13, 4-15, 4-17
 Caster, Pivot, 2-125
 Catch, Latch, Tank Cover, 2-135, 2-136
 Channel Wldt, Guard, Sqge, 3-89
 Channel Wldt, Pivot, 3-11
 Channel, Shield, Muffler, 2-55
 Channel, Shield, Muffler [M20/T20 2007], 2-57, 2-81
 Channel, Sppt, Tank, 2-135
 Chech Valve Kit, Pump, Repair,, 4-25
 Circuitbreaker, 02.0a, Resetable, 3-45
 Circuitbreaker, 2.0a, Resetable, 3-45
 Clamp Wldt, Front, 2-119
 Clamp Wldt, Rear, 2-119
 Clamp, 0.75d [Mit], 6-25
 Clamp, 1/4 Hole [Mit #20], 6-25
 Clamp, 3/8id [Mit Olive Green], 6-15
 Clamp, Cable, Nyl, 0.62D, Nat, 3-69
 Clamp, Cable, Ss, 0.50d X 0.50w [Insul], 4-27
 Clamp, Cable, Ss, 1.12d X 0.38w, 1h, 2-141
 Clamp, Cable, Ss, 2.50d X 1.00w, 1h, 2-13
 Clamp, Cable, Ss, 2.50d X 1.00w, 1hole, 2-151
 Clamp, Cable, Stil, 0.25D X 0.56W, 1Hole, 3-61, 3-63
 Clamp, Cable, Stil, 0.44d X 0.62w, 1h, 2-171
 Clamp, Cable, Stil, 0.69d X 0.62w, 1h, 2-59, 2-101, 2-145
 Clamp, Cable, Stil, 0.69d X 0.62w, 1hole, 2-41, 2-91

CROSS REFERENCE

- Clamp, Cable, Stl, 1.00d X 0.75w, 1hole, 2-77, 2-91
Clamp, Cable, Stl, 1.25d X 1.00w, 1hole, 2-65
Clamp, Cable, Stl, 1.50d X 1.00w, 1h, 2-13, 2-59, 2-93, 2-171, 3-21
Clamp, Cable, Stl, 1.50d X 1.00w, 1hole, 2-11, 2-85
Clamp, Cable, Stl, 2.00d X 0.75w, 1 Hole, 2-87
Clamp, Cable, Stl, 2.00d X 0.75w, 1hole, 2-89
Clamp, Hose, 1.0, 2-41, 2-43
Clamp, Hose, 1.75 [Pcv], 5-3
Clamp, Hose, Ear, 11- 13mm, Ss, 3-75
Clamp, Hose, Ear, 8- 11mm, Ss, 3-77
Clamp, Hose, Plstc .351- .394 Id, 3-21
Clamp, Hose, Spring Stl, 0.58d X 0.31w, 2-71, 2-73
Clamp, Hose, Spring Stl, 0.86d X 0.38w, 2-45, 2-47, 2-49, 2-51
Clamp, Hose, Spring, 0.62d, 2-41, 2-43, 6-22, 6-29
Clamp, Hose, Spring, 0.75d, 2-41, 2-43
Clamp, Hose, Wir, .52 - .56, Yel, 4-27
Clamp, Hose, Wir, .63 - .66, Blk, 4-27
Clamp, Hose, Wormdrive, 0.25-0.62d, .31w, 2-29, 2-31, 2-36, 2-41, 2-59, 2-60, 2-65, 2-85, 2-143, 3-3, 3-5, 3-33, 3-47
Clamp, Hose, Wormdrive, 0.31-0.88D, .31W, 2-31, 2-41, 2-75, 2-77, 2-87, 2-89, 2-93, 2-143, 3-13, 3-19, 3-23, 3-25, 3-27, 3-29, 3-33, 3-35, 3-37, 3-39, 3-41, 3-47, 3-49, 3-51, 3-53, 3-55, 3-79, 3-81, 3-83
Clamp, Hose, Wormdrive, 0.56- 1.06D, .56W, 2-29, 2-31, 2-33, 2-36, 2-41, 2-43, 2-141, 2-143, 3-3, 3-5, 3-13, 3-23, 3-25, 3-35, 3-37, 3-39, 3-49, 3-51, 3-53, 3-79, 3-83, 3-85
Clamp, Hose, Wormdrive, 0.81- 1.50d, .50w, 2-123
Clamp, Hose, Wormdrive, 0.81- 1.50d, .50w (Disk Scrub Head), 2-11
Clamp, Hose, Wormdrive, 1.25-2.00D, .50W, 2-55, 2-57, 2-59, 2-65, 2-85, 3-73
Clamp, Hose, Wormdrive, 1.56- 2.50d, .50w, 2-59, 2-65, 2-85
Clamp, Hose, Wormdrive, 1.81- 2.75d, .50w, 2-45, 2-47, 2-49, 2-51, 2-75, 2-77
Clamp, Hose, Wormdrive, 2.50- 3.50d, .50w, 2-139, 2-147
Clamp, Hose, Wormdrive, 3.56- 4.50d, .50w, 2-139, 2-147, 2-149
Clamp, Hose, Wormdrive, 3.75- 4.62d, .62w, 2-149
Clamp, Hyd, 0.50d, 2-105, 2-107
Clamp, Mtg, Fltr, Air, 2-45, 2-47, 2-49, 2-51, 2-75, 2-77
Clamp, Muffler, 1.62d, 2-55, 2-57
Clamp, Spring, 1.50, 2-47, 2-51
Clamp, Tension [Mit #29], 6-29
Clevis, Adj, 0.25 Pin, 0.25- 28 Rh, Pl, 2-99
Clevis, Adj, 0.25pin, 0.25- 28left Pl, 2-99
Clevis, Adj, 0.31pin, 0.31- 24, 2-99
Clip, .250h, Plstc [Pine- Tree], 2-25, 2-111, 2-121, 2-127, 2-131
Clip, Grip, Finger, .875- 1.25, 3-83, 3-85
Clip, Grip, Finger, 0.88- 1.25d, 3-45
Clip, Grip, Finger, 1.00- 1.88d White, Vyl, 3-73, 3-79, 3-81
Clip, Keeper, Open, 2-59, 2-63, 2-83
Clip, Retainer, .25d, 2-121
Clip, Wiper, 2-121
Coil, Ignition, 5-12
Coil, Ignition [Mit 2.0/2.4], 6-19
Collar, Split, 1.50b .50w 2/Bolt, 2-113
Column, Pump, Water, 4-3
Column, Steering, 09.9L 0.86D 36Tooth, 2-21
Complete Pump Kit, Pump, Repair,, 4-25
Concept, Latch, 3-91
Connector, Fem, 02cav, Mp280 Sealed, 4-25
Connector, Fuel, E90, Qf, 2-87
Connector, Fuel, Qf, 2-87, 2-89
Contact Kit, W/ Brush [En], 2-21
Control Box Assy Kit, Replmt, Telem [CAN], 3-69
Control Box Assy Kit, Replmt, Telem [USA], 3-69
Controller Kit, Replmt [Ec- H20], 4-27
Converter, Ele, 12- 36 Vdc, 3-45
Cooler, Hyd, 25gpm 325btu Of12 13x12x2, 2-171
Coupler, Pump, 4-7
Coupling, Drive, 13t, 2-27
Coupling, Flywheel [Mit20/24m], 6-18
Coupling, Hose, 2-11
Coupling, Nozzle, Spray, 3-83, 3-85
Coupling, Tube, Vacuum, 2-123
Cover, 6-5
Cover Assy, Front, Upper [T- Belt], 6-7
Cover Assy, Rocker, 6-4
Cover Kit, Soltn Tank, Rh [M20 & T20], 2-135
Cover Kit, Tank, Recvy, Replmt [T20], 2-145
Cover Kit, Tank, Soltn, Lh, Replmt, 2-136
Cover Kit, Tank, Soltn, Lh, Replmt, Ce (Japan and CE Only), 2-136
Cover Kit, Tank, Soltn, Rh, Replmt, Ce (Japan and CE Only), 2-135
Cover Wldt [FaST], 3-21
Cover Wldt, Power Supply, 3-45
Cover, Backrest, 4-29
Cover, Belt, Timing, Lower Front, 5-11
Cover, Belt, Timing, Upper Front, 5-11
Cover, Cushion, 4-29
Cover, Dust [Mit 2.0], 6-18
Cover, End, 4-7
Cover, Fuse, Block, 2-93
Cover, Hose, 2-41, 2-43
Cover, Hsng, Camshaft, 5-3, 5-11
Cover, Hsng, Flywheel (Replaced By 9006895), 2-27
Cover, Lower, Front [T- Belt], 6-7
Cover, Pump, Oil, 5-7
Cover, Rear [T- Belt], 6-7
Cover, Tank, 2-145
Cover, Tank, Soltn, Lh, Trimmed, 2-136
Cover, Tank, Soltn, Rh, Trimmed, 2-135
Cover, Tank, Soltn, Rh, Trimmed (Japan and CE Only), 2-135, 2-136
Cover, Timing, Gear [Mit 2.0/2.4], 6-9
Cover, Trimmed, 3-45
Crank Kit, Pump, F/79323, Replmt, 4-24
Crankshaft, 5-5
Crankshaft Assy, 6-10
Crossmember Wldt, Lift, 2-125
Crossmember Wldt, Sqge (Disk Scrub Head), 2-11
Cuff, Swivel, 1.5 Blk, 3-75
Cup Holder, Rwk, 2-17
Cylinder Assy, Head, Bolt, 6-5
Cylinder, Hyd, 1.5b 07.8l 02.75strk 2500, 3-11
Cylinder, Hyd, 1.5b 07.8l 02.80strk 2500, 2-109, 2-129, 2-133, 3-11
Cylinder, Hyd, 1.5b, 07.8l, 02.80strk, 2500, 2-115, 2-117
Cylinder, Hyd, 2.0b, 15.2l, 09.00strk, 3000, 2-95

D

- Detergent Pkg, 2 Liter, Sgl [665], 3-21, 3-33
Device, Centering, Clip On, TI [Gf Pp], 2-6
Diaphragm Kit, Pump, Repair,, 4-25
Diode, Ele, Plug, 2-93
Dipstick Assy, Guage, 6-3
Dipstick, Guage, Guide, 6-3
Dipstick, Oil, 5-8
Dipstick, Rod, Guage, 6-3
Disk, Driver, Pad, W/ Face, 14.0d, 2-6
Door Wldt, Brush, 2-105, 2-107
Door Wldt, Brush, Idler, 2-105, 2-107
Door Wldt, Brush, Lh, 2-133
Door Wldt, Brush, Rh, 2-129
Drain, Water, Joint, 6-3
Drive, 4-8, 4-11
Drive [CI], 4-9
Drive, Motor, Hyd, 4-5
Driver Assy, Pad 14.0 D (Replaced by 1220198), 2-6
Driver Assy, Pad 14.0 D (Replaced by 1220221), 2-6
Driver Assy, Pad, 14.0d, Brush, 2-6
Drum, Cable, Lift, 2-117

E

ec- H2O Kit, Flush, Replmt[M20, M30&T20], 3-47
 Elbow, 6-21
 Elbow, 1/8m X 1/8f, 90 [Mit], 6-15
 Electrode, 5 Plate, High Flow, 4-27
 Electrode, Cylindrical, 4-27
 Element, Fltr, Air [Dn], 1-1, 2-45, 2-47, 2-49, 2-51, 2-75, 2-77
 Element, Fltr, Air, Safety (Option), 2-45, 2-47, 2-49, 2-51, 2-75, 2-77
 Element, Fltr, Oil, Eng, Spin-On (GM), 1-1, 2-27, 5-8
 Element, Fltr, Oil, Spin-On (Mits), 1-1, 2-67, 2-69, 6-21
 End Cap, 4-8
 End Cap, Motor, Hyd [En], 4-9, 4-11
 Engine [Long Block Gm 1.6l] (See Engine Breakdown), 2-27
 Engine, Block, Long [Mits 12mm] (See Engine Breakdown), 2-67, 2-69
 Engine, Gas [Mitsubishi] (See Engine Breakdown), 2-67
 Engine, LPG [Mitsubishi] (See Engine Breakdown), 2-69
 Extinguisher Kit, Fire, Ci [M20 And T20], 3-92
 Extinguisher, Fire, 2.5 Lb Dry, 3-92

F

Fan Kit, Scrub, Replmt [M20/T20], 2-149
 Fan, Cooling, 14.1d, 6 Blade, 0.5b Taper, 2-79, 3-91
 Fan, Cooling, 15.5d, 6 Blade, .5b Taper, 2-53
 Fan, Cooling, 16.0d, 6 Blade, 2-53
 Fan, Cooling, Pusher, 15.5D [2007], 2-53
 FaST Kit, Ci [inj Reblid, M30/M20 III], 4-30
 FaST Kit, Ci, Injector Filters[FaST li+], 4-30
 FaST Kit, Injector [M20/T20/M30 FaST III] (See Breakdowns), 3-33
 FaST Kit, Injector [M20/T20/m30 FaST III], 4-30
 FaST Kit, Seal, injector, Ci [FaST III], 4-30
 Filter Assy, Air, 2-45, 2-47, 2-49, 2-51, 2-75, 2-77
 Filter Assy, Air, Mold, Ure, 3-21
 Filter Assy, Hyd, 10mic, 1-1, 2-173
 Filter Kit, Fuelock, Lpg, 1-1, 2-35, 2-41, 2-43, 6-29
 Filter, Foam, Rbr, 1.20d, 1.0l, 3-23, 3-25, 3-27, 3-29
 Filter, Fuel [Gm 1.6l/3.0l], 1-1, 2-87, 2-89
 Filter, In- Line, Pf06/Pf06 080mesh 02.6l, 3-33, 3-47
 Filter, In- Line, Pf06/Pf06, 80 Mesh, 3-19
 Filter, Screen, 50 Mesh .59d .8l Ss, 3-19
 Filter, Soltn, 020mesh, Pm12 3.2d 08.0l, 3-5

Filter, Soltn, 20mesh, Pm12 3.1d 02.6l, 1-1, 2-136
 Fitting Assy, Orifice, 0.070b, Pf04/Pf04, 3-19
 Fitting Assy, Orifice, 0.093b, Pf04/Pf04, 3-19
 Fitting Assy, Qdc, Pf04, 3-47
 Fitting Kit [Epr], 2-41, 2-43
 Fitting Kit, Hose, Garden, 3-3
 Fitting Spray Nozzle Adapter, 3-77
 Fitting, 1/2 Mpt X 5/8bh 90deg [Mit], 6-23
 Fitting, 1/2 X 5/8 Hose, Plastic[Mit], 6-29
 Fitting, 1/4mpt X 1/4mpt, 90deg[Mit], 6-29
 Fitting, 1/8 Mpt X 3/8 Hb [Mit], 6-15
 Fitting, 37deg [Mit], 6-7
 Fitting, Adapter, Orifice, Pf06/Pm06, 2-29, 2-31, 2-33, 2-43
 Fitting, Alm, Str, Bm24/Bm48, 3-73, 3-75
 Fitting, Barb, 3/4" [Epr], 6-30
 Fitting, Brs, E45, Pf02/Pm02, 2-27
 Fitting, Brs, E90, Bm06/Pm04, 2-73
 Fitting, Brs, E90, Bm08/Pm04, 3-19
 Fitting, Brs, E90, Cf03/Pf02, 3-21
 Fitting, Brs, E90, Em05/Pm04, 2-87, 2-89
 Fitting, Brs, E90, Em10/Pm06, 2-29, 2-31, 2-33, 2-36, 2-41, 2-43
 Fitting, Brs, E90, Pf04/Pm04, 2-41, 2-87, 2-91
 Fitting, Brs, E90, Pm02/Bm03, 3-5
 Fitting, Brs, Qdc, Bm04/Pf04, 3-75
 Fitting, Brs, Qdc, Bm12/Qf08, 3-3
 Fitting, Brs, Qdc, Pf04, Lpg Fem, 2-91
 Fitting, Brs, Qdc, Pf08 [Parker Bh3f], 3-3
 Fitting, Brs, Qdc, Pm04, Plug, 3-77
 Fitting, Brs, Qdc, Pm04/Qf06, 3-79, 3-81
 Fitting, Brs, Snubber, Pm02/Pf02, 3-47
 Fitting, Brs, Spcl [Garden Hose], 3-83, 3-85
 Fitting, Brs, Str, Bm04/Pm02, 3-21
 Fitting, Brs, Str, Bm05/Pm04, 2-87
 Fitting, Brs, Str, Bm06/Pm02, 2-71
 Fitting, Brs, Str, Bm06/Pm05, 2-31, 2-41
 Fitting, Brs, Str, Bm06/Pm06, 2-71, 2-73
 Fitting, Brs, Str, Bm08/Pm04, 3-19
 Fitting, Brs, Str, Em10/Pm06, 2-33, 2-43
 Fitting, Brs, Str, Pf02/Pm02 [Bspt], 2-71
 Fitting, Brs, Str, Pf02/Pm04, 3-19
 Fitting, Brs, Str, Pf02/Pm06, 3-47
 Fitting, Brs, Str, Pf04/Pf04, Bh, 2-91, 3-79, 3-81
 Fitting, Brs, Str, Pf04/Pm02, 2-29, 2-31, 2-36, 2-41
 Fitting, Brs, Str, Pf06/Pf06 Bh, 3-83, 3-85
 Fitting, Brs, Str, Pf06/Pm04, 2-33, 2-43, 2-71, 2-73
 Fitting, Brs, Str, Pf06/Pm12, 3-83, 3-85
 Fitting, Brs, Str, Pm02, Plug [Skhd], 3-77
 Fitting, Brs, Str, Pm04/Pm04, 2-87, 3-19
 Fitting, Brs, Str, Pm08/Garden Hose, 3-83, 3-85
 Fitting, Brs, Tee, Pf04/Pf04/Pf04, 3-19
 Fitting, Brs, Tee, Pf04/Pf04/Pm04, Run, 2-91, 3-33

Fitting, Brs, Tip [75, .125k-Jet], 3-77
 Fitting, Cap, 2-35
 Fitting, Draincock, E90, .25npt, 2-29, 2-31, 2-36, 2-41, 2-59, 2-65, 2-85
 Fitting, E, Gr, 4-3
 Fitting, E70, 2-35
 Fitting, E90, 2-35, 2-39, 6-22
 Fitting, E90, M14 X .56, 2-27
 Fitting, End, Hose, 2-27
 Fitting, Fltr, Oil, 5-8
 Fitting, Fuel [Mixer E100Lp 2010], 2-39
 Fitting, Fuel, Str, 0.38-24 [07 Eng], 2-89
 Fitting, Fuel, Str, 0.56-18 [07 Eng], 2-89
 Fitting, Grease, Str Pm04 .47l, 2-109, 2-115, 2-125
 Fitting, Grease, Str Pm04 .63l, 2-95
 Fitting, Grease, Str Pm04 .47L, 2-113
 Fitting, Hose, Vacuum, .25, 2-35
 Fitting, Hyd, Cap, Jf06, 2-171
 Fitting, Hyd, Cap, Jf08, 3-15
 Fitting, Hyd, E45, Jf08/Jm08, 2-175
 Fitting, Hyd, E45, Jf10/Jm10, 2-159
 Fitting, Hyd, E45, Jm04/Om04, 3-15
 Fitting, Hyd, E45, Jm04/Om06, 2-95
 Fitting, Hyd, E45, Jm06/Om04, 2-149
 Fitting, Hyd, E45, Jm06/Om06, 2-95
 Fitting, Hyd, E45, Jm08/Om08, 2-149, 2-175, 3-15
 Fitting, Hyd, E45, Jm08/Om10, 2-151, 2-169
 Fitting, Hyd, E45, Jm10/Om12, 2-95
 Fitting, Hyd, E45, Jm12/Om16, 2-173
 Fitting, Hyd, E45, Jm20/Om20, 2-173
 Fitting, Hyd, E90, Jf04/Jm04, 2-107, 2-175, 3-15
 Fitting, Hyd, E90, Jf06/Jm06, 3-15
 Fitting, Hyd, E90, Jf08/Jm08, 2-21, 2-171
 Fitting, Hyd, E90, Jm04/Om04, 2-113, 2-117, 2-129, 2-133, 2-175, 3-11
 Fitting, Hyd, E90, Jm04/Pm02, 2-173
 Fitting, Hyd, E90, Jm06/Om04, 2-109, 2-115, 2-151, 3-11
 Fitting, Hyd, E90, Jm06/Om06, 2-21, 2-175, 3-15
 Fitting, Hyd, E90, Jm06/Om06, L, 2-175
 Fitting, Hyd, E90, Jm06/Om08, 2-169
 Fitting, Hyd, E90, Jm08/Om08, 2-105, 2-107, 2-113, 2-169, 2-175, 3-15
 Fitting, Hyd, E90, Jm08/Om08, L, 2-113, 2-175
 Fitting, Hyd, E90, Jm08/Om10, 3-7, 3-9
 Fitting, Hyd, E90, Jm10/Om12, 2-169
 Fitting, Hyd, E90, Jm12/Om12, 2-171
 Fitting, Hyd, E90, Jm12/Om12, L, 2-171
 Fitting, Hyd, E90, Om04/Qm04, 2-175, 3-15
 Fitting, Hyd, E90, Spcl, 2-41, 2-43
 Fitting, Hyd, Plug, Om04, 4-11, 4-15, 4-21
 Fitting, Hyd, Plug, Om06, 2-173, 2-175
 Fitting, Hyd, Plug, Om06 (Cylindrical Scrub Head Only), 2-173
 Fitting, Hyd, Plug, Om08, 4-7, 4-15, 4-21
 Fitting, Hyd, Plug, Om10, 2-173

CROSS REFERENCE

- Fitting, Hyd, Plug, Pm06, 2-33, 2-43
Fitting, Hyd, Rst, Spcl, 2-129, 2-133
Fitting, Hyd, Str, Jf04/Qm04, 2-175, 3-15
Fitting, Hyd, Str, Jm04/Om04, 2-105, 2-107, 2-175, 3-15
Fitting, Hyd, Str, Jm04/Om06, 3-15
Fitting, Hyd, Str, Jm04/Om06 (Disk Scrub Head Only), 2-173
Fitting, Hyd, Str, Jm06/Om06, 2-21, 2-173, 3-15, 3-17
Fitting, Hyd, Str, Jm06/Om06, L, 2-21
Fitting, Hyd, Str, Jm08/Om06, 2-21
Fitting, Hyd, Str, Jm08/Om08, 2-113, 2-169, 2-173, 3-15
Fitting, Hyd, Str, Jm08/Om10, 2-151, 3-7
Fitting, Hyd, Str, Jm10/Om10, 2-175
Fitting, Hyd, Str, Jm10/Om12, 2-95
Fitting, Hyd, Str, Jm20/Om16, 2-169
Fitting, Hyd, Str, Om04/Qm04, 2-175, 3-15
Fitting, Hyd, Str, Pf02/Pm04, 2-91
Fitting, Hyd, Tee, Jf08/Jm08/Jm08, Br, 2-151
Fitting, Hyd, Tee, Jm04/Jm04/Om04, Run, 2-113
Fitting, Hyd, Tee, Jm08/Jm08/Om08, Br, 2-149, 2-175
Fitting, Nipple, .25mal, 2-41, 2-43
Fitting, Nipple, .25npt, Brs, 2-35
Fitting, Nyl, Qdc, E90, Bm08/ Qm10, 3-33, 3-47
Fitting, Nyl, Str, Bm04/Pm04, 3-77
Fitting, Nyl/Y, Qdc, E90, Bm06/ Qm10, 3-33
Fitting, Pipe, Bshg, M18 X 1.5, 2-27
Fitting, Pipe, E45, Spcl, 2-91
Fitting, Pipe, E90, Pf02/Pm02, 3-21
Fitting, Pipe, Plug, 2-27
Fitting, Pipe, Plug, Metric, M18,Soc, 2-27, 2-55, 2-57
Fitting, Pipe, Plug, Pm02, Sq Head, 2-89
Fitting, Pipe, Plug, Pm08, Sq Head, 2-141
Fitting, Pipe, Str, Pm04/Sf04, 2-91
Fitting, Plstc, Body, Spray, Pf04, 3-19
Fitting, Plstc, Cap, Pf12 Hex, 2-141
Fitting, Plstc, Cap, Spray, Pf04, 3-19
Fitting, Plstc, E90, Bm04/Pm02, 3-77
Fitting, Plstc, E90, Bm05/Bm05, Nyl, 3-47
Fitting, Plstc, E90, Bm06/Bm06, 3-5, 4-27
Fitting, Plstc, E90, Bm06/Pm04, Nyl, 3-33
Fitting, Plstc, E90, Bm06/Pm12, Nyl, 3-3
Fitting, Plstc, E90, Bm08/Bm08, 2-143, 3-47
Fitting, Plstc, E90, Bm08/Pf08s, Swivel, 3-19, 3-79, 3-83
Fitting, Plstc, E90, Bm08/Pm04, 3-47
Fitting, Plstc, E90, Bm08/Pm06, 3-47, 3-83, 3-85
Fitting, Plstc, E90, Bm08/Pm12, Nyl, 3-19, 3-23, 3-25, 3-27, 3-29, 3-33, 3-47
Fitting, Plstc, E90, Bm10/Pm12, 3-3, 3-33, 3-47
Fitting, Plstc, E90, Bm12/Pf12, 3-5
Fitting, Plstc, E90, Bm12/Pm08, 3-3
Fitting, Plstc, E90, Bm12/Pm12, 3-3, 3-5, 3-19, 3-33, 3-47
Fitting, Plstc, E90, Pf Bm [Es Pump], 4-3
Fitting, Plstc, E90, Pf12/Pm12, 2-135
Fitting, Plstc, Pf12/Pf12, Bh, 2-135, 3-3
Fitting, Plstc, Pipe, Cap, Pf04, 3-21, 3-33, 4-27
Fitting, Plstc, Rst, .50od /.13id, 3-25
Fitting, Plstc, Str, Bm04, Cplg, Fem, 3-21, 3-33
Fitting, Plstc, Str, Bm04/Bm08, 3-47
Fitting, Plstc, Str, Bm04/Pm04, 3-47
Fitting, Plstc, Str, Bm05/Pm04, 3-47
Fitting, Plstc, Str, BM06/BM08, 3-51, 3-55
Fitting, Plstc, Str, Bm06/Pm04, 3-33, 4-27
Fitting, Plstc, Str, Bm06/Pm06, 3-33
Fitting, Plstc, Str, Bm08/Pm04, 3-79, 3-81
Fitting, Plstc, Str, Bm08/Pm06, 3-19
Fitting, Plstc, Str, Bm08/Pm12, 3-23, 3-25, 3-27, 3-29
Fitting, Plstc, Str, Bm10/Bm10, 2-45, 2-49, 2-141
Fitting, Plstc, Str, Bm10/Bm12, 2-141
Fitting, Plstc, Str, Bm10/Pm12, 2-141, 2-143
Fitting, Plstc, Str, Bm12/Bm12, 2-141
Fitting, Plstc, Str, Bm12/Pm08, Nyl, 3-3, 4-3
Fitting, Plstc, Str, Bm12/Pm12, 2-141, 2-143
Fitting, Plstc, Str, Pf06/Qm10, Pvc, 3-47
Fitting, Plstc, Str, Pm02/Bm05, 4-27
Fitting, Plstc, Str, Pm04, Cplg, Mal, 3-21, 3-33
Fitting, Plstc, Str, Pm04/Pm06, Nyl, 3-47
Fitting, Plstc, Str, Pm08/Pm08, 3-3
Fitting, Plstc, Str, Pm12/Pm12 1.60l, 3-3, 3-19, 3-33, 3-47
Fitting, Plstc, Tee, Bm04/Bm04/Bm04, 3-33
Fitting, Plstc, Tee, Bm04/Bm08/Bm08, Br, 3-19
Fitting, Plstc, Tee, Bm06/Pm02/Bm06, 4-27
Fitting, Plstc, Tee, Bm08/Bm08/Bm08, 3-19, 3-29, 3-41, 3-55
Fitting, Plstc, Tee, Bm08/Bm10/Bm10, Br, 3-35, 3-37, 3-49, 3-51, 3-79, 3-83
Fitting, Plstc, Tee, Bm08/Bm12/Bm12, Br, 3-23, 3-25, 3-35, 3-37, 3-49, 3-51, 3-79, 3-83
Fitting, Plstc, Tee, Bm10/Bm10/Bm10, 2-33, 2-43
Fitting, Plstc, Tee, Bm10/Bm10/Bm10, Nyl, 3-13
Fitting, Plstc, Tee, Bm12/Bm12/Bm12, 2-141, 3-13
Fitting, Plstc, Tee, Pf08/Pf08/Pf08, 3-3
Fitting, Plstc, Tee, Pf12/Pf12/Pf12, 3-3, 3-19, 3-33, 3-47
Fitting, Plstc, Y, Bm08/Bm08/Bm08, Nyl, 3-25, 3-29, 3-33, 3-37, 3-41, 3-51, 3-55, 3-81, 3-85
Fitting, Plug, 2-27
Fitting, Plug, M16, Intake Manifold, 2-31, 2-33, 2-39
Fitting, Plug, Org, #6, Valve [Cec], 4-13, 4-15, 4-17, 4-19, 4-21
Fitting, Stil, Qdc, Bm04, 3-75
Fitting, Str, 2-35
Fitting, Str, .19brb X .12mpt, 2-29
Fitting, Str, 10-10 Orb, 37fi [Mit], 6-21
Fitting, Str, E90, .25npt, 2-35
Fitting, Vacuum [M16-15-6h], 2-29, 2-31, 2-33, 2-39
Flange, 4-11
Flange Mounting, 4-8
Flange, Motor, Hyd [En], 4-9
Flange, Sprocket, Cshft, 6-11
Flap, Battery, 2-17
Flapper, Valve, Pump, Water, 4-3
Flywheel, 5-5
Flywheel, Flatface [Mit 20/24m], 6-18
Frame Wldt, Hppr, 2-121
Frame Wldt, Main, Replmt [M20 & T20], 2-11
Frame Wldt, Screen, Rad, 3-91
Frame Wldt, Sqge, Lh, 2-131
Frame Wldt, Sqge, Rh, 2-127
Frame Wldt, Sqge, Side Brush, 3-7
Fuelline, .31d Str/Str, Plstc, 2-87, 2-89
Fuelline, .31d Str/Str, Plstc [Mit 2013], 2-89
Fuelline, .31d Str/Str,Plstc[M20/T20 07], 2-89
Fuse, 015a, 2-93
Fuse, 10 Amp, 2-225
Fuse, 15 Amp, [Min-15], 2-225
Fuse, 20 Amp, [Min-20], 2-225
Fuse, 5 Amp, [Min-5], 2-225
Fuse, 50amp, 2-225
Fuse, 60 Amp, 2-225

G

- Gasket, 2-35, 6-5
Gasket Kit, Repair, Gas [Gm1.6l 2007], 2-31, 2-33
Gasket Kit, Repair, Lpg [Gm1.6l 2007], 2-39
Gasket, .25 1.88d 1.0id [Poron], 4-3
Gasket, 2.00, 07.87w 10.24l, Adh, 2-151
Gasket, 3.23ld 3.63Od .16Th, Ure, 2-145
Gasket, 4.05ld 5.29Od .19 [Buna], 4-3
Gasket, Body, Throttle [1.6l], 2-31, 2-33
Gasket, Case, Front, 6-12
Gasket, Cover, Fuse Block, 2-93
Gasket, Cover, Hsng, Camshaft, 5-3
Gasket, Cover, Rocker, 6-4
Gasket, Cylinder, Head, 6-5
Gasket, Exhaust, 2hole, 3.4bc, 2-55, 2-57, 2-81
Gasket, Fling, Pipe, Exhaust, 2-55, 2-57
Gasket, Foam, .50, 14.76id 16.54od, Adh, 2-151
Gasket, Head, Cyl, 5-3
Gasket, Lid, 2-145

Gasket, Manifold, Exh [Mit], 6-16
 Gasket, Manifold, Exhaust, 5-9, 6-16
 Gasket, Manifold, Intake, 2-29, 2-31, 2-33, 2-35, 5-9, 6-15
 Gasket, Oil, Adapter [Mit 2.0/2.4], 6-21
 Gasket, Oil, Filler, Cap, 6-4
 Gasket, Pan, Oil, 5-8
 Gasket, Plt, Hose, Vacuum, 2-149
 Gasket, Plug, Drain, Oil, 6-7
 Gasket, Plug, Relief Valve, Oil Press, 2-27, 5-7
 Gasket, Pump, Oil, 5-7
 Gasket, Pump, Water, 6-13
 Gasket, Screen, 6-7
 Gasket, Sender, Fuel, 2-89
 Gasket, Sqge, 1-1, 2-119
 Gasket, Tank, Recvy, 2-145
 Gasket, Throttle [Mit 40mm], 6-27, 6-28
 Gasket, Tube [Pcv], 5-3
 Gasket, Water [Mit 2.0/2.4], 6-22
 Gasket, Water Supply [Mit 2.0/2.4], 6-23
 Gasspring, 180lb, 03.0strk, 2-19
 Gauge, Sensing, Level, 2-173
 Gear, Drive, Oil Pump, 5-7
 Gear, Ring, Drive, Oil Pump, 5-7
 Gear, Ring, Starter, 5-5
 Geroler, Motor, Hyd, 4-5
 Gerotor Set, 4-8
 Gerotor Set [Cl], 4-9
 Gerotor, Motor, Hyd, 4-11
 Grill Wldt, Front, 2-23
 Grill, Eng, 2-25
 Grill, Side, 2-19
 Grip, Handle, 2-139, 2-147
 Grip, Handle, .50d 4.0l Yel, 2-121
 Grip, Handle, 1.0d 1.5l Blk (Disk Scrub Head), 2-11
 Grip, Handle, 1.25D 1.50L Blk, 2-11
 Grommet, 0.38id, F/0.6h, .06 Matl, 3-77
 Grommet, Blind, 4-27
 Grommet, Pye, 0.37id, F/1.5h, .13 Matl, 3-5
 Grommet, Rbr, 0.20id, F/0.4h, .12 Matl, 2-29, 2-35
 Grommet, Rbr, 0.38id, F/0.5H, .12 Matl, 3-69
 Grommet, Rbr, 0.50id, F/0.8h, .12 Matl, 3-64, 3-65
 Grommet, Rbr, 0.62id, F/0.9h, .06 Matl, 3-45
 Grommet, Rbr, 0.62id, F/0.9h, .12 Matl, 3-5
 Grommet, Rbr, 2.13id, F/2.5h, .12 Matl, 3-19, 3-33, 3-47
 Guard Kit, Sqge, Ci [T20], 3-89
 Guard Kit, Switch, Float, Replmt [T20], 2-145
 Guard Wldt, Brush, Side, 3-13
 Guard Wldt, Pntd [M20/T20], 3-89
 Guard Wldt, Sqge Rep.BY1039069, 3-89
 Guard Wldt, Sqge [M20/T20 LH, M30 RH], 3-89

Guard Wldt, Sqge [M20/T20 RH, M30 LH], 3-89
 Guard Wldt, Sqge [M20/T20/M30], 3-89
 Guard Wldt, Switch, Float, 2-145
 Guard Wldt, Top, Ohg, 3-67
 Guard, Fan, Side, 2-79
 Guide, Rlr, 2-121

H

Handle Wldt, Drain, 2-145
 Handle Wldt, T, Hppr, 2-123
 Handle Wldt, Wand, 3-77
 Handle, Valve, Pinch, Lh, 2-147
 Handle, Valve, Pinch, Rh, 2-139
 Hanger, Engine, 6-15
 Harness [FaST, M20 And T20], 3-31
 Harness, Eng [1.6l, Gm, E- cntrl], 2-225
 Harness, Headlight [M20 And T20], 2-220
 Harness, Injector, Gas [1.6l, Gm, E- cntrl], 2-225
 Harness, Injector, Lpg [1.6l, Gm, E- cntrl], 2-225
 Harness, Jumper [Deutsch To Mpack], 4-19, 4-21
 Harness, Main [T20], 2-219
 Harness, Manifold, Gas, 2-89
 Harness, Spray, Nozzle, 3-79, 3-83
 Harness, Warning / Backup [M20 & T20], 3-59, 3-61, 3-63
 Harness, Warning / Ohg [M20], 3-64, 3-65
 Harness, Wire [Ec- H2o, Mako, 2.0l & Dsl], 3-58
 Harness, Wire [Ec- H2o], 3-58
 Harness, Wire [FaST Gen 2], 3-43
 Harness, Wire, Eng, Gas [Mit, 2.0L], 2-225
 Harness, Wire, Eng, Gas [GM 1.6L 10], 2-225
 Harness, Wire, Eng, Gas [Gm 1.6L], 2-225
 Harness, Wire, Eng, Gas [Mit, 2.0l], 6-25
 Harness, Wire, Eng, Lpg [Gm 1.6l 10], 2-225
 Harness, Wire, Eng, Lpg [Gm 1.6l], 2-225
 Harness, Wire, Eng, Lpg [Mit, 2.0l], 6-25
 Harness, Wire, Eng, Lpg [Mit, 2.0L], 2-225
 Harness, Wire, Gas/Lpg [Eng Adapt], 2-226
 Harness, Wire, Gas/Lpg [Telemetry], 3-70
 Head Assy, Cylinder, 6-5
 Head Wldt, Disk, Replmt, Jp (Japn Only), 2-113
 Head Wldt, Disk, Std, Replmt, 2-113
 Head Wldt, Swing, Lower, 14.0, 2-113
 Head, Cyl, 5-3
 Head, Wand [17b/E], 3-77
 Headlight, 12vdc, 27watt, 2.1a, Oval (Rpl by 1060942), 2-11
 Headlight, 12Vdc, Oval, Halogen, 2-11
 Hinge Kit, Cover, Tank, Recvy, Replmt, 2-145
 Hinge Wldt, Door, 2-19, 2-25
 Hinge Wldt, Shrd, Lh, 2-25

Hinge Wldt, Shrd, Rh, 2-19
 Hinge, .38pin .11 3.5w 06.0l 6/0.38sl, 2-23
 Hinge, .50pin .19 4.0w 06.0l 3/0.44sl, 2-129, 2-133
 Horn, 12vdc, DbA [Wolo], 2-93
 Hose [Epr To Manifold], 2-41, 2-43
 Hose [Mixer To Epr], 2-41
 Hose [Pcv], 5-3
 Hose Assy, Sqg, 2-145
 Hose Assy, Upper, Tap [Mit], 6-29
 Hose Assy, W/1cuff, 1.0d, 030l 1.25/, 2-123
 Hose Assy, W/2cuff, 1.5d 90l 1.5/1.5, 3-73
 Hose Assy, W/2cuff, 3.0d 14l 3.0/3.0, 2-119
 Hose Assy, Wand, Power, 3-75
 Hose Kit, Coolant, Replmt [Mitsubishi], 2-85
 Hose Kit, Hyd, Propel, Ci [M20/T20], 2-159
 Hose Kit, Hyd, Sqge Lift [T20], 2-167
 Hose, 170mm [Ftv- Ptv], 2-35
 Hose, 355mm [FI- Vrp], 2-35
 Hose, 9.5mm X 290mm [Pcv], 2-35
 Hose, 9.5mm X 450mm [Pcv], 2-29
 Hose, 90x90, Filter, Oil, Remote [Mit], 6-21
 Hose, 90xstr, Filter, Oil, Remote [Mit], 6-21
 Hose, Afmkt, Coolant Recvy, 05ft, 2-59, 2-65, 2-85
 Hose, Afmkt, Pvc, Brd 0.38id 02ft, 3-5
 Hose, Afmkt, Pvc, Brd 0.50id 02ft, 3-23, 3-27
 Hose, Afmkt, Pvc, Brd 0.50id 03ft, 2-143, 3-19
 Hose, Afmkt, Pvc, Brd 0.50id 08ft, 3-19, 3-25, 3-29
 Hose, Afmkt, Pvc, Brd 0.62id 08ft, 2-143, 3-13
 Hose, Afmkt, Pvc, Brd 0.62id, 01Ft, Clr, 3-5
 Hose, Afmkt, Pvc, Brd 0.75id 01ft, 3-5
 Hose, Afmkt, Pvc, Brd 0.75id 08ft, 2-141, 2-143, 3-13
 Hose, Afmkt, Pvc, Brd 0.75id 12ft, 3-3
 Hose, Afmkt, PVC, Brd, 0.31id, 03Ft, Clr, 3-47, 4-27
 Hose, Afmkt, Pvc, Brd, 0.38id, 01ft, Clr, 4-27
 Hose, Afmkt, Pvc, Brd, 0.38id, 02ft, Clr, 3-51, 3-55, 4-27
 Hose, Afmkt, Pvc, Brd, 0.38id, 03ft, Clr, 3-33
 Hose, Afmkt, Pvc, Brd, 0.50id, 01ft, Clr, 3-47
 Hose, Afmkt, Pvc, Brd, 0.50id, 03ft, Clr, 3-37
 Hose, Afmkt, Pvc, Brd, 0.50id, 08Ft, Clr, 3-35, 3-37, 3-39, 3-41, 3-51, 3-53, 3-55
 Hose, Afmkt, Pvc, Brd, 0.50id, 12ft, Clr, 3-47, 3-49, 3-79, 3-81, 3-83, 3-85
 Hose, Afmkt, Pvc, Brd, 0.62id, 01ft, Clr, 2-141

CROSS REFERENCE

Hose, Afmkt, Pvc, Brd, 0.62id, 03ft, Clr, 3-37, 3-39, 3-51, 3-53	Hose, Hyd, Med06, Jf06str/Jf06str, 033.0, 2-161	Hose, Hyd, Tc08, Jf08e45/Jf08str, 018.0, 2-163
Hose, Afmkt, Pvc, Brd, 0.62id, 08ft, Clr, 2-141, 3-35, 3-49	Hose, Hyd, Med08, Jf08e45/Jf08str, 029.0, 2-163	Hose, Hyd, Tc08, Jf08E45/Jf08Str, 026.0, 2-161
Hose, Afmkt, Pvc, Brd, 0.75id, 02ft, Clr, 3-33	Hose, Hyd, Med08, Jf08e45/Jf08str, 046.0, 2-165	Hose, Hyd, Tc08, Jf08e45/Jf08str, 052.0, 2-165
Hose, Afmkt, Pvc, Brd, 0.75id, 08Ft, Clr, 3-35, 3-39, 3-49, 3-53	Hose, Hyd, Med08, Jf08e90/Jf08str, 062.0, 2-161	Hose, Hyd, Tc08, Jf08e45/Jf08str, 26.0, 2-161
Hose, Afmkt, Pvc, Clr 0.25id 03ft, 3-21	Hose, Hyd, Med08, Jf08str /Jf08e45, 21.0, 2-161	Hose, Hyd, Tc08, Jf08e45/Jf08str, 96.0, 2-159
Hose, Afmkt, Pvc, Clr 0.50id 08ft, 3-25, 3-29	Hose, Hyd, Med08, Jf08str/Jf08str, 022.0, 2-163	Hose, Hyd, Tc08, Jf08e90/Jf08str, 020.0, 2-165
Hose, Afmkt, Pvc, Clr, 0.25id, 02ft, 3-33	Hose, Hyd, Med10, Jf10str/Jf10str, 41.0, 2-161	Hose, Hyd, Tc08, Jf08e90/Jf08str, 034.0, 3-17
Hose, Afmkt, Pvc, Clr, 0.25id, 03ft, 3-47	Hose, Hyd, Med12, Jf12e90/Jf12str, 50.0, 2-161	Hose, Hyd, Tc08, Jf08e90/Jf08str, 046.0, 2-161
Hose, Afmkt, Pvc, Clr, 0.38id, 01ft, 3-33	Hose, Hyd, Med12, Jf12e90/Jf12str, 029.0, 2-161	Hose, Hyd, Tc08, Jf08e90/Jf08str, 084.0, 3-17
Hose, Afmkt, Pvc, Clr, 0.38id, 03ft, 3-33	Hose, Hyd, Med12, Jf12str/Jf12str, 052.0, 2-161	Hose, Hyd, Tc08, Jf08e90/Jf08str, 13.0, 2-163
Hose, Afmkt, Pvc, Clr, 0.50id, 08ft, 3-37, 3-41, 3-55	Hose, Hyd, Med12, Jf12str/Jf12str, 066.0, 2-161	Hose, Hyd, Tc08, Jf08str/Jf08e90, 012.0, 3-15
Hose, Afmkt, Pvc, Wir, 0.50id, 03ft, Clr, 3-33	Hose, Hyd, Spcl, Jf10e90/Jf10str, 63.0, 2-159	Hose, Hyd, Tc08, Jf08str/Jf08e90, 031.0, 2-161
Hose, Afmkt, Rbr, Heater, 0.38id, 03ft, 2-71, 2-73	Hose, Hyd, Spcl, Jf10str/Jf10str, 56.5, 2-159	Hose, Hyd, Tc08, Jf08Str/Jf08Str, 021.0, 2-161
Hose, Afmkt, Rbr, Heater, 0.62id, 02ft, 2-33, 2-43	Hose, Hyd, Suc20, Jf20Str/Jf20E90, 030.0, 2-161	Hose, Hyd, Tc08, Jf08Str/Jf08Str, 034.0, 3-17
Hose, Afmkt, Vacuum, 0.16id, 01ft, 3-5	Hose, Hyd, Tc 06, Jf06str /Jf06e45, 56.0, 2-163, 2-165	Hose, Hyd, Tc08, Jf08str/Jf08str, 040.0, 2-165
Hose, Balancing, Press, 045mm, 2-35	Hose, Hyd, Tc04, Jf04e45/Jf04str, 044.0, 2-167	Hose, Hyd, Tc08, Jf08str/Jf08str, 21.0, 2-161
Hose, Balancing, Press, 680mm, 2-35	Hose, Hyd, Tc04, Jf04e45/Jf04str, 048.0, 2-167	Hose, Hyd, Tc08, Jf08str/Jf08str, 48.0, 2-163
Hose, Coolant, Mold, 1.25id To 1.62id, 2-65	Hose, Hyd, Tc04, Jf04E45/Qm06, 024.0, 2-167	Hose, Hyd, Tc12, Jf12e90/Jf12str, 044.0, 2-161
Hose, Coolant, Molded [Mit 20/24m], 6-29	Hose, Hyd, Tc04, Jf04E45/Qm06, 028.0, 2-167	Hose, Hyd, Med04, Jf04str/Jf04str, 066.0, 2-159
Hose, Coolant, Upper, Mold [Mit 2013], 2-85	Hose, Hyd, Tc04, Jf04e90/Jf04str, 020.0, 2-163	Hose, Hyd, Tc 04, Jf04str /Jf04e45 , 35.0, 2-167
Hose, Drain, 3.00id X 48.0l, 2-139, 2-147	Hose, Hyd, Tc04, Jf04str /Jf04str, 20.0, 3-17	Hose, Intake, Mold [Epdm Mit 2013], 2-75, 2-77
Hose, Drain, Eng Oil, 2-27	Hose, Hyd, Tc04, Jf04str /Jf04str, 39.0, 3-17	Hose, Intake, Mold, 2.00id [Epdm], 2-45, 2-47, 2-49, 2-51, 2-75, 2-77
Hose, Drain, Oil [Mit 20/24m], 6-7	Hose, Hyd, Tc04, Jf04str/Jf04str, 036.0, 2-165	Hose, Intake, Mold, 2.00id, Gas [Epdm], 2-45
Hose, Drain, Overflow, Radiator [1pick=1ft], 2-75, 2-77	Hose, Hyd, Tc04, Jf04Str/Qm06, 028.0, 2-167	Hose, Intake, Mold, 2.00id, Lpg [Epdm], 2-49
Hose, Flex, 4.00d, 24.0l, 2-149	Hose, Hyd, Tc06, Jf06e90/Jf06str, 040.0, 2-159	Hose, Intake, Mold, 2.0id [Epdm M20/T20], 2-47, 2-51
Hose, Fuel [Mixer To Epr, 22.5"L], 2-43	Hose, Hyd, Tc06, Jf06e90/Jf06str, 104.0, 2-159	Hose, Intake, Mold, 2.0id, Gas, 2-47
Hose, Fuel, 0.31id [Evap Emission 07], 2-89	Hose, Hyd, Tc06, Jf06str /Jf06e45, 54.0, 2-163, 2-165	Hose, Intake, Mold, 2.0id, Lpg, 2-51
Hose, Fuel, .19, 2-29	Hose, Hyd, Tc06, Jf06str /Jf06e90, 74.0, 3-17	Hose, Intake, Mold, Gas [Epdm Mit 2013], 2-75
Hose, Fuel, .38d, Rbr[16"L], 6-15	Hose, Hyd, Tc06, Jf06str /Jf06str, 23.0, 3-17	Hose, Intake, Mold, Lpg [Epdm Mit2013], 2-77
Hose, Fuel, 0.18id, 29.0l, 2-65, 2-85	Hose, Hyd, Tc06, Jf06str/Jf06str, 033.0, 3-17	Hose, Lpg, Med05, Pm04str/Sm04str, 14.0l, 2-91
Hose, Fuel, 0.31id 12.0l, 2-87	Hose, Hyd, Tc06, Jf06Str/Jf06Str, 054.0, 2-163	Hose, Lpg, Med05, Pm04str/Sm04str, 55.0l, 2-91
Hose, Fuel, 0.31id 24.0l, 2-87		Hose, Mold, .62 To .75, 2-35
Hose, Fuel, 0.50id 21.0l, 2-87		
Hose, Fuel, 0.50id, 21.0l, 2-89		
Hose, Fuel, Molded [Mit 20/24m], 6-29		
Hose, Heater, 2-29, 2-31		
Hose, Heater, 0.38id, 2-31, 2-41		
Hose, Heater, 0.62id, 024.0l, 2-33		
Hose, Heater, 0.62id, 038.0l, 2-43		
Hose, Heater, E90, 0.62id 07.0 2.0, 2-45, 2-49		
Hose, Heater, E90, 0.62id, 24.0 4.0, 3-37, 3-51, 3-55		
Hose, Hyd, 26.0l, 2-27		
Hose, Hyd, Med04, Jf04e90/Jf04str, 016.0, 2-163		
Hose, Hyd, Med06, Jf06e90/Jf06str, 042.0, 2-161		
Hose, Hyd, Med06, Jf06e90l/Jf06str, 038.0, 3-17		

Hose, Mold, .62 To .75 (Cut in 2), 2-41
 Hose, Pvc, Brd, 0.25id 0.44od 157.2l,Clr, 3-75
 Hose, Pvc, Clr, 0.38id 0.56od 22.00l, 2-29, 2-36, 2-59
 Hose, Pvc, Clr, 0.38id 0.56od 48.00l, 3-3, 3-5
 Hose, Pvc, Clr, 0.38id 0.56od 022.0l, 2-31, 2-41, 2-65, 2-85
 Hose, Pvc, Clr, 0.50id 0.69od 26.00l, 3-13
 Hose, Pvc, Clr, 0.50id 0.69od 30.00l, 2-93
 Hose, Pyu, 0.25id 0.38od 1220mml, Blk, 3-77
 Hose, Radiator, Lower, Mold, 2-59, 2-65
 Hose, Radiator, Mold, .75ld X .62ld (Cut in two), 2-33
 Hose, Radiator, Upper, Mold, 2-59
 Hose, Rbr, 2.00id 2.50od 05.0l, 2-45, 2-49
 Hose, Rbr, E90 1.25id 1.25id 04.2 03.1, 2-59
 Hose, Rbr, E90, 1.25id 1.25id 04.2 03.1, 2-65, 2-85
 Hose, Supply, Gas, .25id, 2-41, 2-43
 Hose, Vacuum, 0.22id X 15.0l, 2-31, 2-33, 2-39
 Hose, Vacuum, 1.50id X 10ft, Gray, 3-75
 Hose, Valve, Press Trim, 350mm, 2-35
 Hose, Vent, E90, 0.62id[Gm1.6l 2007], 2-47, 2-51
 Hose, Water, Coil, 0.38id 0.56od, 3-83, 3-85
 Housing, 4-7
 Housing Assy, Vacfan, Scrbr, 2-149
 Housing Kit, Drive, Front, Replmt, 2-95
 Housing Kit, Pump, Water, 4-3
 Housing Wldt, Brush, Drive, 2-105, 2-107
 Housing Wldt, Swp, Scb, 2-109
 Housing Wldt, Vacfan, Front [528], 2-149
 Housing, Bottom, 4-27
 Housing, Brg, Motor, Hyd, 4-5
 Housing, Camshaft, 5-3, 5-11
 Housing, Cplg, Qf / Pm08, 3-47
 Housing, Fan, Radial Discharge, Sq Inlet, 2-151
 Housing, Flywheel [Mit 2.0l], 6-18
 Housing, Motor, Hyd [En], 4-9, 4-11
 Housing, Pump, 2-27
 Housing, Sppt, Front Wheel, 2-95
 Housing, T-Stat, 2 Holes [Mit], 6-22
 Housing, Thermostat, 6-22
 Housing, Throttle, 40mm [Bosch], 2-29, 2-31, 2-33, 2-35, 2-39
 Housing, Valve, 4-5
 Housingl, 4-8
 Hsg & Switch Kit, Pump, Repair,, 2-25
 Hub Assy, Wheel, 5 Bolt 4.50bc Taper B, 2-95
 Hub, Drive, Brush, Disk, 1.00b [6t], 2-113, 3-7, 3-9
 Hub, Drive, Brush, Disk, 3Hole 5.8Bc, 2-6, 2-8
 Hub, Drive, Brush, Disk, 3hole 5.8bc[6t], 2-6, 2-8

I

Idler Assy, Brush, Replmt [M20/T20, M30], 2-105, 2-107
 Impeller, 11.81d X 0.500b, 2-151
 Impeller, 9.5d, 18 Bl, 2-149
 Indicator, Press, 60psi, 2-173
 Injector Kit, Fuel, Gas, 2-29
 Insert, :Lrg [Venturi, FaST III], 4-30
 Insert, Cap, Mount, Es Pump, 4-3
 Insert, Cplg, Qm, Bm08, 3-47
 Insert, Plt, Cam, Pump, Hyd, 4-7
 Instr, Maint, Wall Chart [T20], 3-93
 Instr, Motor, Hyd, Repair [En], 4-9, 4-11
 Instr, Repair, Motor, Hyd, Gear, 4-5
 Instr, Repair, Pump, 4-7
 Instr, Seal Kit, Motor, 4-10
 Instr, Valve, Steering, Repair, 4-23
 Instr. Repair Info, Motor, 4-8
 Insulation, 3-67
 Insulation, Acstc, Rnd, 0.8, 02.5d 0.5h, 2-21
 Insulation, Flame-Retardant, 0.5, 2-25, 2-87, 2-89
 Insulation, Flame-Retardant, 0.50, 2-149
 Insulation, Flame-Retardant, 0.75-0.88, 2-15, 2-19, 2-149
 Insulation, Flame-Retardant, 1.0, 2-19
 Insulation, Shrd, Eng, Gusset, 2-25
 Insulation, Thermal, Hydraulic Blanket, 2-173
 Isolator, 6-25, 6-29
 Isolator [Epr], 2-41, 2-43
 Isolator, Box, Relay, 2-31, 2-33, 2-39, 2-71, 2-73
 Isolator, Mtg, Vaporizer, Rbr, 2-35
 Isolator, Rbr, 2-55, 2-57, 2-81
 Isolator, Vib, .50d, 2-27, 2-67, 2-69
 Isolator, Vib, Bshg, 1.1d 0.6l .4b 0.78h, 2-59, 2-63, 2-83, 2-149, 2-151

K

Key, 6-10
 Key-Wdruff 0.25 1.00, 4-8
 Key, Ignition [Set Of 2], 1-1, 2-17
 Key, Motor, Hyd, 4-5
 Key, Shaft, Pump, Hyd, 4-7
 Key, Sq, 0.12 X 0.12, 0.50l, 2-53, 2-79
 Key, Sq, 0.12 X 0.12, 0.75l, 4-10
 Key, Sq, 0.12 X 0.12, 1.00l (Included With Motor), 2-149
 Key, Sq, 0.25 X 0.25, 1.25l, 2-105, 2-107
 Key, Valve Stem, 5-3
 Key, Woodruff, 0.25 1.00 [Asa#0808], 4-9, 4-11
 Keychain, Rectangle, Parts & Service, 2-17
 Kit, Bellows, Pump, Detgt, 4-24
 Kit, Brush, Motor, Ele, 4-3
 Kit, Seal, Motor, Hyd, 4-5
 Kit, Seal, Motor, Hyd, Gear[Barns], 2-149, 4-10

Kit, Seal, Valve, Hyd [Cec], 4-10
 Kit, Valve, Check, Pump, Water, 4-3
 Knob Assy, Star, 1.12d 3ear M10, 2-125
 Knob, Rnd, 1.04d 1.18l .25-20 Yel Plstc, 2-121
 Knob, Star, 2.80d 4ear 1.1l .31-18 Pyp, 2-119
 Knob, Tee, 2.5x1.0 1.1l 0.38-16 Plstc, 2-21
 Knobs, Adjmt, Weight, 4-29

L

Label [User, Attention, ec-H2O], 2-228
 Label Kit, Panel, Replmt [T20 ec-H2O only], 2-17
 Label Kit, Panel, Replmt [T20], 2-17
 Label Set, Brush Indicator & Removal, 2-228
 Label Set, Hi Temp, 2-228
 Label Set, Info/Hzrd, Swpr / Scrbr, 2-228
 Label Set, Info/Hzrd, Swpr / Scrbr, Tj (Japan Only), 2-228
 Label, Caution [Apply Parking Brake], 2-228
 Label, Caution [Apply Parking Brake] (Japan Only), 2-228
 Label, Logo, 05.75L 2Color [ES], 2-228
 Label, Logo, 07.95L 2Color [FaST], 2-228
 Label, Logo, 12.3L 4Color [ec-H2O], 2-228
 Label, Logo, 16.9L 4Color [ec-H2O], 2-228
 Label, Model, 2Color [T20], 2-228
 Label, Switch, Rocker [T20], 2-17
 Lamp Strobe, Amb [12-48 Vdc], 3-63, 3-65
 Lamp, 12vdc [Speaker], 2-11
 Lamp, Bulb, Flsh, 3-61, 3-64
 Lamp, Bulb, Strobe, 3-63, 3-65
 Lamp, Flasher, Amb [12-48 Vdc], 3-61, 3-64
 Lamp, Halogen [Speaker], 2-11
 Latch, 2-19, 2-59, 2-105, 2-107, 2-121, 2-135, 2-136, 3-87
 Latch Assy, Mtg, Tank, Lpg, W/Nut, 2-91
 Latch Kit, Cover, Soltn, Replmt[M20/T20], 2-135, 2-136
 Latch Kit, Disk, Replmt [T20], 2-113
 Latch Wldt, Head, Disk, 2-113
 Latch, Cover, 2-136
 Latch, Door [Southco 91-562-07], 2-25, 2-127, 2-131
 Latch, Hook, 2-129, 2-133
 Lens, Blue, Option, F/ Revl / Flsh Light, 3-61, 3-63, 3-64, 3-65
 Lens, Lamp, Amb, Strobe/Flasher, 3-61, 3-63, 3-64, 3-65
 Lens, Red, Option, F/ Revl / Flsh Light, 3-61, 3-63, 3-64, 3-65
 Light Kit, Flsh, Ci [M20 And T20], 3-61
 Light Kit, Flsh, W/Ohg, Ci[M20 And T20], 3-64
 Light Kit, Revl, Ci [M20 And T20], 3-63
 Light Kit, Revl, W/Ohg, Ci [M20 And T20], 3-65

CROSS REFERENCE

Light, Led, .312D, 2 Volt [Tri-Color] (ec-H2O only), 2-17
Light, Panl, 14vdc, , 1.1 X 1.0, 2-17
Light, Tail, 12vdc, 2-11
Link Assy, Rod-End, M12, 2-117
Link, .25 1.4w 3.2l 2/.5h, 3-89
Lip Kit, Debris, Replmt [T20], 2-121
Lock-Off, 12v, Lpg [Mit], 6-29
Lock, Secondary, 2cav, Mp280 Sealed, 4-25
Loom, Convolved, Split 5/8 [Mit], 6-15

M

Magnet, Drive Brush, 2-91
Maint Kit, 400hr [M20/T20/M30 Lpg 2010], 1-1
Maint Kit, 800hr [M20/T20/M30 Lpg 2010], 1-1
Maint Kit, Gas, 400hr[M20/T20], 1-1
Maint Kit, Gas, 800hr[M20/T20], 1-1
Maint Kit, Lpg, 400hr[M20/T20], 1-1
Maint Kit, Lpg, 800hr[M20/T20], 1-1
Manifold Assy, Cntrl, Soltn, 2-143
Manifold Wldt, Cntrl, Soltn, 2-143
Manifold, Bar, Spray, 37.5inch, 2-141
Manifold, Exhaust, 5-9
Manifold, Exhaust [Mit 2.0/2.4l], 6-16
Manifold, Gas, Relief, Valve, 2-89
Manifold, Intake [1.6l], 2-29, 2-31, 2-33, 2-35, 2-39
Manifold, Intake [Mit 20/24m Tilt], 6-15
Manifold, Water, 3-47
Manual, Eng, Cd-Rom [Tier II,GM1.6L], 3-93
Manual, Oprtr [T20 Gas/Lpg En], 3-93
Manual, Oprtr [T20 Gas/Lpg Es], 3-93
Manual, Oprtr [T20 Gas/Lpg Fr], 3-93
Manual, Parts [T20 Gas/Lpg En/Jp], 3-93
Manual, Service [T20 En], 3-93
Manual, Service, Cd-Rom [Mit2.0l], 3-93
Manual, Service, Eng [Gm1.6l], 3-93
Manual, Service, Eng[Gm1.6l Em Cert], 3-93
Mat, Floor, 2-13
Media, Cd-Rom, Training [ec-H2O Tennant], 3-93
Mirror, Convex, 0.50D, 3-67
Mixer, Lpg, 2-39
Mixer [E100lp], 6-30
Mixer, Lpg [Gm 1.6l], 2-35
Mixer, W/70deg Ftg, 2-39
Module Kit, Replmt [Ec-H20], 4-27
Module Kit, Replmt [Ec-H20] (See Breakdowns), 3-45
Module, Ecu, Gas [Gm 1.6l], 2-29
Module, Ecu, Gas [Gm1.6l 2010], 2-33
Module, Ecu, Gas [Gm1.6l 2700], 2-31
Module, Ecu, Gas [Mit 2.0l 2013], 6-25
Module, Ecu, Lpg [Gm 1.6l], 2-35
Module, Ecu, Lpg [Gm1.6l 2007], 2-39
Module, Ecu, Lpg [Gm1.6l 2010], 2-39
Module, Ecu, Lpg [Mit 2.0l 2013], 6-25

Molding, Afmkt, Trim, Pvc, .08 .11, 01Ft, 3-45
Molding, Afmkt, Trim, Pvc, .08 .11, 1ft, 2-13
Molding, Trim, Pvc, .08- .11 06.8l, 2-83
Molding, Trim, Pvc, .08- .11 13.2l, 2-89
Motor Kit, Pump, Repair,, 4-25
Motor Kit, Replmt [M20&T20], 2-149
Motor, Ele, 12vdc, Pump, Water, 4-3
Motor, Ele, Gear, 14vdc, Pump, Detgt, 4-24
Motor, Hyd Gear In 4.5 B 1500, 4-8
Motor, Hyd, Gear, [Int], 19.0 X 3000, 4-5
Motor, Hyd, Gear, Ext 0.17 Lh 3000, 2-151
Motor, Hyd, Gear, Ext 0.19 Rh 3000, 4-10
Motor, Hyd, Gear, Int 04.5 Bi-Dir 1500, 2-105, 2-107
Motor, Hyd, Gear, Int 04.5 Bi-Dir 1500 (See Breakdowns), 2-105, 2-107
Motor, Hyd, Gear, Int 08.9 Bi-Dir 2500, 3-9, 4-9
Motor, Hyd, Gear, Int 08.9 Bi-Dir 2500 (See Breakdowns), 3-7, 3-9
Motor, Hyd, Gear, Int 09.7 Bi-Dir 2500, 2-113, 4-11
Motor, Hyd, Gear, Int 09.7 Bi-Dir 2500 (See Breakdowns) (Replaced by 1068924), 2-113
Motor, Hyd, Gear, Int 19.0 Bi-Dir 3000 (See Breakdowns), 2-95
Mount Wldt, Eng, Gas/Lpg, 2-27
Mount Wldt, Valve, Pinch, Lh, 2-147
Mount Wldt, Valve, Pinch, Rh, 2-139
Mount, Fltr, Remote, 6-21
Muffler, Catalytic [Gm 1.6l], 2-55
Muffler, Catalytic [Gm 1.6l 2007], 2-57
Muffler, Catalytic [Gm 1.6l 2010], 2-57
Muffler, Catalytic [Mit 2.0l 2013], 2-81
Muffler, Short [Non-Catalytic Gm1.6/3.0], 2-55

N

Nozzle, 3-83, 3-85
Nozzle kit, Spray, Ci [T20], 3-83
Nozzle Kit, Spray, W/Pwr Wand, Ci [T20], 3-85
Nozzle, Spray, Gun, 3-83, 3-85
Nozzle, Wand, Plstc, 14.0lg, 3-73
Nut, 6-9, 6-10
Nut-Hxslot .75-16 Pltd, 4-8
Nut, Adj, Mtg, Tank, Lpg, 2-91
Nut, Coil, F/#8, 4-13, 4-15, 4-17, 4-19, 4-21
Nut, Coil, Nyl Patch, 4-17, 4-19
Nut, Flange, 6-13
Nut, Fling, M05-0.8, 2-39, 6-30
Nut, Fling, M8, 6-15, 6-16, 6-19, 6-21, 6-22
Nut, Hex, Fling, M6 X 1.00, 2-63, 2-79, 2-83
Nut, Hex, Fling, M8 X 1.25, 2-41, 2-43, 2-171
Nut, Hex, Jam, .31-24, 2-99

Nut, Hex, Jam, .50-20, 2-109, 3-11
Nut, Hex, Jam, .50-20, Lh, 2-109
Nut, Hex, Jam, M10 X 1.5, Ss, 2-53, 2-91
Nut, Hex, Jam, M20 X 1.5, 2-21
Nut, Hex, Lock, .25-20, NI, 2-87, 2-89, 2-149
Nut, Hex, Lock, .25-20, NI, Ss, 2-101, 2-103
Nut, Hex, Lock, .31-18, NI, 2-19, 2-53
Nut, Hex, Lock, .31-18, NI, Thin, 2-19
Nut, Hex, Lock, .38-16, NI, Ss, 2-91, 3-11
Nut, Hex, Lock, .38-16, NI, Thin, 2-91, 2-103, 2-149
Nut, Hex, Lock, .50-13, NI, Ss, 2-125
Nut, Hex, Lock, .50-13, NI, Thin, 2-109
Nut, Hex, Lock, .50-20, NI, Thin, 2-109
Nut, Hex, Lock, .75-10, NI, 2-95
Nut, Hex, Lock, #08-32, NI, 2-17
Nut, Hex, Lock, M10 X 1.5, NI, 2-59, 2-63, 2-83, 2-91, 2-171, 3-67, 3-89
Nut, Hex, Lock, M10 X 1.5, NI, Ss, 2-125
Nut, Hex, Lock, M10 X 1.5, NI, Ss (Disk Scrub Head), 2-11
Nut, Hex, Lock, M12 X 1.75, NI, Ss, 2-109, 2-115, 2-117, 2-121
Nut, Hex, Lock, M12 X 1.75, NI, 2-27, 2-67, 2-69, 2-97
Nut, Hex, Lock, M4 X 0.7, NI, 2-19, 2-25, 2-60, 3-21
Nut, Hex, Lock, M4 X 0.7, NI, Ss, 2-25, 2-103, 2-127, 2-131, 3-3
Nut, Hex, Lock, M4 X 0.70, NI, 3-91
Nut, Hex, Lock, M4 X 0.70, NI, Ss, 3-45
Nut, Hex, Lock, M5 X 0.8, NI, 2-19, 2-29, 2-35, 2-93
Nut, Hex, Lock, M5 X 0.8, NI, Ss, 2-105, 2-107, 2-141, 3-13, 3-19, 3-25, 3-29
Nut, Hex, Lock, M5 X 0.80, NI, 3-45, 3-69, 3-79, 3-83
Nut, Hex, Lock, M5 X 0.80, NI, Ss, 3-37, 3-41, 3-51, 3-55, 3-59, 3-61, 3-63, 3-64, 3-65, 3-87
Nut, Hex, Lock, M6 X 1.0, NI, 2-19, 2-21, 2-23, 2-29, 2-35, 2-45, 2-49, 2-59, 2-93, 2-99
Nut, Hex, Lock, M6 X 1.0, Ss, NI, 2-17, 2-55, 2-141
Nut, Hex, Lock, M6 X 1.00, NI, 2-13, 2-47, 2-51, 2-63, 2-75, 2-77, 2-83, 3-91
Nut, hex, Lock, M6 X 1.00, NI, Ss, 3-69
Nut, Hex, Lock, M6 X 1.00, Ss, NI, 2-111, 2-113, 2-115, 2-117, 2-121, 2-123, 2-143, 2-145, 3-3, 3-79, 3-81
Nut, Hex, Lock, M8 X 1.25, NI, 2-11, 2-13, 2-25, 2-45, 2-47, 2-49, 2-51, 2-53, 2-59, 2-65, 2-75, 2-77, 2-79, 2-83, 2-85, 2-87, 2-89, 2-91, 2-93, 2-99, 2-103, 2-129, 2-133, 3-15, 3-91

Nut, Hex, Lock, M8 X 1.25, Ni, Ss, 2-55, 2-57, 2-59, 2-65, 2-81, 2-103, 2-105, 2-107, 2-109, 2-113, 2-117, 2-119, 2-121, 2-123, 2-125, 2-127, 2-131, 2-135, 2-139, 2-147, 2-151, 3-7, 3-13, 3-15
 Nut, Hex, M10 X 1.5 [Stover], 2-55
 Nut, Hex, M10 X 1.50 [Stover], 2-55, 2-57, 2-81
 Nut, Hex, Sltld, .75- 16, 2-97, 2-105, 2-107
 Nut, Hex, Sltld, 1.12- 18, 2-95
 Nut, Hex, Sltld, M20 X 2.5, 8, 2-105, 2-107
 Nut, Hex, Std, .25- 20, 2-31, 2-33, 2-39, 2-71, 2-73
 Nut, Hex, Std, .25- 28, 2-99, 2-101
 Nut, Hex, Std, .25- 28, Lh, 2-99
 Nut, Hex, Std, .31- 18, 2-53, 3-67
 Nut, Hex, Std, .38- 16, 2-57, 2-81
 Nut, Hex, Std, M12 X 1.75, Ss, 2-129, 2-133, 2-151
 Nut, Hex, Std, M16 X 2.0, 2-23
 Nut, Hex, Std, M5 X 0.8, 8, 2-27, 2-103
 Nut, Hex, Std, M6 X 1.00, 8, 3-45
 Nut, Hex, Std, M8 X 1.25, 2-13, 2-53
 Nut, Hex, Std, M8 X 1.25, Brs, 2-27
 Nut, Hex, Std, M8 X 1.25, Ss, 2-115, 2-129, 2-133
 Nut, Hex, Stover, M8, 2-81
 Nut, Hex, Stover, M8 X 1.25, 2-63
 Nut, Isolator, .38- 16 Wall Th .015- .437, 3-79, 3-81
 Nut, Low Crown, .50- 20, 2-149
 Nut, M10- 1.25 Flg [Mit], 6-16, 6-18
 Nut, M10- 1.25, Hx Flg [Mit], 6-25
 Nut, M6- 1.0 Flange [Mit], 6-25, 6-29
 Nut, M8- 1.25 [Mit], 6-15
 Nut, Manifold, Exhaust, M8 X 1.25, 5-9
 Nut, Motor, Hyd, 4-5
 Nut, Solenoid, 4-13, 4-15, 4-17, 4-19, 4-21
 Nut, Strainer, 6-7
 Nut, T, M10 X 1.50 X 15.8od X 13.0l, 2-127, 2-131
 Nut, T, M4 X 0.70, 2-6
 Nut, T, M8 X 1.25 X 14.5od X 9.5l, 3-7
 Nut, Thumb, M6 X 1.0, 30d, 3-77
 Nut, Wheel, .50- 20 X 60 Angle, 2-95

O

O- Ring, 6-3, 6-5, 6-12
 O- Ring [Mit 208 Buna-N], 6-22, 6-23
 Ohg Kit, Ci [M20 And T20], 3-67
 Oil, Hyd [El, Iso 100, 01gal], 1-2
 Oil, Hyd [El, Iso 100, 05gal], 1-2
 Oil, Hyd [El, Iso 32, 01gal], 1-2
 Oil, Hyd [El, Iso 32, 05gal], 1-2
 Oil, Hyd [El, Iso 68, 01gal], 1-2
 Oil, Hyd [El, Iso 68, 05gal], 1-2
 Outlet, Water, W/Plug [Mit 2.0/2.4], 6-22

P

Pad, Armrest, 4-29
 Pad, Buff, 14.0d, Red, 2-6
 Pad, High Productivity Stripping, 14.0d, Blk, 2-6
 Pad, Pedal, Brake, 3.96l 2.36w 0.75, 2-99
 Pad, Polish, 14.0d, White [1pad=1pc], 2-6
 Pad, Scb, 14.0d, Blu [1pad=1pc], 2-6
 Pad, Stripping, 14.0d, Brown [1pad=1pc], 2-6
 Pad, Surf Prep, 14.0D Maroon, [1PICK=1PAD], 2-6
 Pad, Tank, Hyd [W/Psa], 2-171, 2-173
 Paint, Airdry, Blk, 12oz, 1-2
 Paint, Airdry, Gray, 12oz [Enamel], 1-2
 Paint, Airdry, Iron Gray, 12oz[Pwdr Coat], 1-2
 Paint, Airdry, Off- White, 12oz, 1-2
 Paint, Airdry, Teal, 12oz, Solid, 1-2
 Pan, Oil, 6-7
 Pan, Oil, W/ Baffle / Plug / Seal, 5-8
 Panel Kit, Instmt, Replmt [T20 ec-H20 only], 2-17
 Panel Kit, Instmt, Replmt [T20], 2-17
 Panel Wldt, Adj, 2-13
 Panel Wldt, Adj [2007], 2-13
 Panel Wldt, Filler, 2-11
 Panel Wldt, Gas, Replmt, 2-13
 Panel Wldt, Gas, Replmt [W/Fast], 2-13
 Panel Wldt, Gas, Replmt, TJ (Japan only), 2-13
 Panel Wldt, Gas, Replmt, TJ [W/Fast] (Japan only), 2-13
 Panel Wldt, Gas, Replmt, TJ, W/Es (Japan only), 2-13
 Panel Wldt, Gas, W/ Es, Replmt, 2-13
 Panel Wldt, LPG, Replmt, 2-13
 Panel Wldt, LPG, Replmt [W/Fast], 2-13
 Panel Wldt, LPG, Replmt, TJ (Japan only), 2-13
 Panel Wldt, LPG, Replmt, TJ [W/Fast] (Japan only), 2-13
 Panel Wldt, LPG, Replmt, TJ, W/Es (Japan only), 2-13
 Panel Wldt, LPG, Replmt, W/Es, 2-13
 Panel Wldt, Shrd, Fan, 2-59
 Panel, Access, Debris Tray, 2-123
 Panel, Access, Door, 2-13
 Panel, Access, Floor, 2-13
 Panel, Instmt, Rh, Gas, Replmt, 2-17
 Panel, Instmt, Rh, Lpg, Replmt, 2-17
 Panel, Instmt, Rh, Lpg, Replmt, CE/TJ (Japan only), 2-17
 Pawl, Str, 2-105, 2-107
 Pedal, Brake, Lock, 2-99
 Pedal, Propel, 2-101
 Pin Kit, Wheel, Ci [M20/T20/M30], 2-11, 3-13
 Pin Wldt, 3-11
 Pin Wldt, Front, 2-119, 3-9
 Pin Wldt, Lift (Replaced By 9003478), 2-125
 Pin, 0.63d 01.8l, 1/M10h, 2cham, 2-125

Pin, 30mmd X 215mml, 2-11, 3-13
 Pin, Clevis, 0.19d X 0.63l, 2-117
 Pin, Clevis, 0.25d X 0.75l, 2-99
 Pin, Clevis, 0.25d X 2.44l, 2-117
 Pin, Clevis, 0.31d X 0.75l, 3-7
 Pin, Clevis, 0.31d X 1.00l, 2-99
 Pin, Clevis, 0.37d X 1.31l, 3-11
 Pin, Clevis, 0.37d X 1.50l, 3-11
 Pin, Clevis, 0.37d X 1.75l, 2-109, 2-115, 2-129, 2-133, 3-11
 Pin, Clevis, 0.37d X 2.00l, 2-117
 Pin, Clevis, 0.50 D X 4.50l, 2-101
 Pin, Clevis, 0.50d X 2.50l, 2-117
 Pin, Clevis, 0.62d X 2.12l, 2-115
 Pin, Clevis, 0.75d X 2.00l, 2-109, 2-115
 Pin, Cotter, .062 X 0.50, 2-99
 Pin, Cotter, .062 X 0.75, 2-117
 Pin, Cotter, .094 X 1.00, 2-99, 2-115, 2-117, 3-7, 3-11
 Pin, Cotter, .094X0.75, 2-117
 Pin, Cotter, .125 X 1.00, 2-101, 2-129, 2-133
 Pin, Cotter, .125 X 1.25, 2-105, 2-107, 2-115
 Pin, Cotter, .125 X 2.00, 2-95
 Pin, Cotter, .156 X 1.25, 2-109
 Pin, Cotter, .156 X 2.00, 2-97
 Pin, Cotter, Hair, 0.31d .058 Wir, 2-19
 Pin, Cotter, Hair, 0.38d .072 Wir, 2-109, 2-115, 2-117
 Pin, Cotter, Hair, 1.00d .178 Wir, 2-11, 3-13
 Pin, Cotter, Hair, Dbl, 2-11, 3-13
 Pin, Dowel, 6-3, 6-9, 6-10, 6-12
 Pin, Dowel, Pump, Hyd, 4-7
 Pin, Flywheel [Mit 20/20m], 6-18
 Pin, Grvd, 0.43d 01.8l [303ss], 2-119, 3-9
 Pin, Hitch, .375d X 3.12l, Pl, 3-7, 3-9, 3-89
 Pin, Lift, Drain, 2-145
 Pin, Locating, Lpg, 2-91
 Pin, Lock, Cyl Head, 14mm X 17mm, 5-3, 5-5
 Pin, Lock, Transmission, 5-5
 Pin, Locking, Steering, Tilt, 2-21
 Pin, Retainer, 2-35
 Pin, Ring, Lock, Hsng, Water Pump, 5-7
 Pin, Roll, .187d X 1.62l, .187/.192, 2-11, 3-13
 Pin, Spring, 6-9
 Pin, Valve, Steering, 4-23
 Pipe Kit, Exhaust, Replmt [M20.T20, M30], 2-57
 Pipe Kit, Exhaust, Replmt [Mako Mitsui], 2-81
 Piston Set, Ring, 6-10
 Piston, Pin [Std A], 6-10
 Piston, Pin [Std B], 6-10
 Piston, Pin [Std C], 6-10
 Piston, Pump, Hyd, Gear, 4-5
 Piston, W/ Pin, Std, 5-5
 Pivot Wldt, Brush, Side, 3-11
 Plate Assy, Orifice, 0.0105ld, Green, 4-30
 Plate Kit, Repair, 2-27
 Plate Wldt, Fan, Hub [Gm 1.6l], 2-53

CROSS REFERENCE

- Plate Wldt, Hose, Vacuum, 2-149, 2-151
Plate Wldt, Mtg, 3-45
Plate Wldt, Mtg, Fan, 2-151
Plate Wldt, Retainer, Sqge, 3-9
Plate Wldt, Seat, 2-19
Plate Wldt, Shaft, Fan [Shaft Extended], 2-79
Plate Wldt, Wrap, Brush, 2-109
Plate, Backing, Brake, 2-97
Plate, Bmpr, Lh, 3-71
Plate, Bmpr, Rh, 3-71
Plate, Cam, 4-7
Plate, Cover, 4-7
Plate, Cover, Screen, 3-91
Plate, Door, Clean-Out [Mit2013], 2-83
Plate, Guard, Belt [Gm 1.6l], 2-27
Plate, Guard, Fan Shrd, Gas/Lpg, Replmt, 2-59
Plate, Handle, 2-105, 2-107
Plate, Hook, Latch, 3-87
Plate, Hsng [FaST], 3-19
Plate, Inspection, 3-45
Plate, Label, Soltn Tank (ec- H20 only), 2-136
Plate, Mtg [Epr], 6-29
Plate, Mtg, Ecu [Mit 2.0/2.4l], 6-25
Plate, Mtg, Latch, 2-135, 2-136
Plate, Mtg, Light, 2-17
Plate, Mtg, Prop Rod, 2-145
Plate, Mtg, Pump, 3-45
Plate, Mtg, Relay, 2-31, 2-33, 2-39
Plate, Mtg, Seal, 2-23, 2-59
Plate, Mtg, Skirt, Scb Head (Replaced by None), 2-111
Plate, Mtg, Valve, 3-25, 3-29, 3-37, 3-41, 3-51, 3-55
Plate, Orifice, 0.070id, 3-19
Plate, Orifice, 0.093id, 3-19
Plate, Rnd, 2-151
Plate, Seal, Sound, 2-25
Plate, Shield, Dust, 2-79
Plate, Shield, Heat, Gas/Lpg, Replmt, 2-55, 2-57
Plate, Skirt, Front, 2-111
Plate, Spacer, Motor, Hyd [En], 4-9, 4-11
Plate, Sppt, 2-99, 2-117
Plate, Stop, Brake, 2-99
Plate, Tensioner, Adj [Mit 2.0/2.4l], 6-17
Plate, Valve, Motor, Hyd, 4-5
Plate, Valve, Pump, Hyd, 4-7
Plate, Water, Outlet [Mit Bypass], 6-23
Plate, Wear, Steering Valve, 4-23
Plug, 4-5, 6-3
Plug #10, 4-8
Plug #4, 4-8
Plug Assy [Ci], 4-23
Plug Kit, Drain, Recvy, Ci [M20 & T20], 2-145
Plug Wldt, Drive, Brush, 2-105, 2-107
Plug Wldt, Drive, Brush, Sweep, 2-105, 2-107
Plug, .12npt, Ss, 2-31, 2-33, 2-35, 2-39
Plug, 1/8 Npt, Brs, Skt Hd [Mit], 6-15
Plug, 1/8npt, Brs [Mit], 6-30
Plug, 3/8npt X 5/16, Brs [Mit], 6-21
Plug, Bore, Valve, Relief, Oil Press, 5-7
Plug, Cap, 6-12
Plug, Drain, Expandable, 4.75-6.00, 2-145
Plug, Drain, Oil Pan, M14 X 1.5 X 12, 5-8
Plug, Flare, 37deg [Mit], 6-7
Plug, Hole, Coolant, Eng Block, 5-5
Plug, Hole, Core, Eng Block, 5-8
Plug, Hole, Injector, 2-35, 2-39
Plug, Hole, Rnd, 0.50h .03-.12, Blk Nyl, 2-17
Plug, Hole, Rnd, 0.81h, Blk, 2-13
Plug, Hole, Rnd, 0.88h .03-.12, Blk Nyl, 2-13
Plug, Hole, Rnd, 1.00h .03-.12, Blk Nyl, 2-13
Plug, Hole, Rnd, 1.25H .03-.12, Blk Nyl, 2-19
Plug, Hole, Rnd, 2.50h .03-.25, Blk Nyl, 2-13
Plug, Hole, Rt, Rocker Switch, .87 X 1.7, 2-17
Plug, Hole, Soltn Tank, Blk Pyu, 2-135
Plug, Hose, Pyu, 2-139, 2-147
Plug, Hsng, Oil Pump, 5-7
Plug, Injector [Mit], 6-15
Plug, Manifold, Intake, 2-29, 2-31, 2-33, 2-35, 2-39
Plug, Oil, Drain, 6-7
Plug, Orifice, 0.060, Ss [FaST li+], 4-30
Plug, Orifice, Valve, Hyd, .040, 4-13, 4-17, 4-19
Plug, Orifice, Valve, Hyd, .046, 4-15, 4-21
Plug, Orifice, Valve, Hyd, .063, 4-15, 4-21
Plug, Port, Sensor [Map], 2-29, 2-31, 2-33, 2-35, 2-39
Plug, Pump, Hyd, Gear, 4-5
Plug, Restrictor, 3-51
Plug, Rsestrictor, 3-55
Plug, Rubber, 6-7
Plug, Spark, 1-1, 6-19
Plug, Spark [Mitsubishi 2015 12mm], 6-19
Plug, Taper, 6-3
Plug, Tapper, 6-12
Poppet, Pump, Hyd, Gear, 4-5
Pouch, 3-47
Pulley Assy, Damper, Torsional, 6-10
Pulley, Idler, 6-9
Pulley, Pump, Water, 6-13
Pulley, Tension, Belt, Timing, 5-11
Pulley, Tensioner, 6-9
Pulley, Tensioner, Assy[Mit2.0/2.4l], 6-17
Pump Assy, Column, Es, 4-3
Pump Assy, Column, Es (See Breakdowns), 3-5
Pump Kit, Hyd, Rotating [Cessna], 4-7
Pump Kit, Mtg, Aux, Ci [M20 & T20], 2-169
Pump, Diaphragm, 4-25
Pump, Air, Ele, 12vdc, 3-21
Pump, Detgt, 12vdc, 3-21
Pump, Detgt, 14vdc, 150ml/Min 20psi, 4-24
Pump, Detgt, 14vdc, 150ml/Min 20psi (See Breakdowns), 3-3
Pump, Diaphragm, 3-79, 3-83
Pump, Fuel, 2-89
Pump, Fuel, Hi Press [Gm 1.6l/3.0l], 2-87
Pump, Gear, Drive, Oil, 6-12
Pump, Gear, Oil, 6-12
Pump, Hyd, Piston, Var, 1.24 4000, Cw, 4-7
Pump, Hyd, Piston, Var, 1.24 4000, Cw (See Breakdowns), 2-169
Pump, Oil, 5-7, 6-12
Pump, Soltn, 13.7vdc, 65psi [FaST li+], 3-33
Pump, Soltn, Ele, 12vdc [W/O Chk Valve], 3-19
Pump, Soltn, Ele, 13.7vdc, 12/28psi, 3-45
Pump, Water, 6-13
Pump, Water [Gm], 5-7

Q

Qd36Gasket, Body, Throttle [1.6l], 2-29

R

Race Thrust, 4-8
Race, Brg, Pump, Hyd, 4-7
Rad Screen Kit, Replmt [M/T20, M30 G/Lp], 3-91
Radiator, 2-60
Radiator Kit, Replmt, Ci, 2-60
Radiator, W/ Hyd Cooler [Side X Side], 2-63, 2-83
Rail, Injector, Fuel, Plstc, 2-31, 2-33
Rail, Injector, Gas, W/ Press Reg, 2-29
Receptacle, Lamp [Speaker], 2-11
Regulator, 6-29
Regulator [Ep], 2-41, 2-43
Regulator, Lpg, 2-35
Regulator, Press, Electronic [Epr], 6-30
Relay, 12vdc, 20a, Spdt, 2-225
Relay, 12vdc, 40a, Spdt, 2-225
Relay, 12vdc, 40a, Spdt N/O, 2-93, 3-19
Relay, 12vdc, 040a, Spdt No, 3-33, 3-45, 3-79, 3-83
Repair Kit, Mixer, 2-39, 6-30
Repair Kit, Vaporizer, 6-29
Reservoir, Hyd, 10.0Gal, Replmt, 2-173
Resistor, Ele, Plug [430, 2w], 3-58
Restrictor, Jet, Coolant, 2-35
Retainer, Boot, Steering Column, 2-21
Retainer, Camshaft, 5-11
Retainer, Motor, Hyd, 4-5
Retainer, Ring, Brake, 2-97
Retainer, Skirt, 2-111
Retainer, Skirt, Disk Head, 2-115
Retainer, Skirt, Front, 2-111
Retainer, Sparkplug, 2 Way, 5-12
Retainer, Sparkplug, 3 Way, 5-12
Retainer, Sqge, 3-7
Retainer, Sqge, Side, Lh, 2-131

Retainer, Sqge, Side, Rh, 2-127
 Retainer, Sqge, Wand [17b/E], 3-77
 Ring Kit, Piston, Std 78.95-79.02mm, 5-5
 Ring, Lock, 4-7
 Ring, Motor, Hyd, 4-5
 Ring, Mtg, Sqge, .50l, 2-119
 Ring, Retainer, Steering Valve, 4-23
 Ring, Retaining, 4-7, 6-17
 Ring, Retaining, Ext, 0.38d, [E-Ring],
 2-119, 2-125, 3-9
 Ring, Retaining, Ext, 0.50d, Hd, 2-21
 Ring, Retaining, Ext, 0.62d, Hd, 2-125
 Ring, Retaining, Ext, 0.98d, [E-Ring], 2-99
 Ring, Retaining, Ext, 1.00d, Basic, 2-105,
 2-107
 Ring, Retaining, Pump, Hyd, 4-7
 Rivet, Blind [S2500 Drvblock], 3-77
 Rivet, Blind, .125d X 0.54 X .25d, Alm,
 2-135, 2-136
 Rivet, Plstc, .250 X 0.898, 3-73
 Rivet, Plstc, .250d X 0.898, 2-21
 Rivet, Plstc, .250d X 0.90, 3-47, 3-79, 3-81
 Rod, 2-99
 Rod Assy, Connecting, 6-10
 Rod-End, .25-28rh Fem 0.25b [Teflon],
 2-101
 Rod-End, .50-20lh Fem 0.50-20stud,
 2-109
 Rod-End, .50-20rh Fem 0.50b, 2-109
 Rod-End, .50-20rh Mal 0.50b, 3-11
 Rod, Connecting, M08 X 45, 5-5
 Rod, Hanger, Isolator, 2-57, 2-81
 Rod, Latch, 2-121
 Rod, Thrd, 2 End, .50-20 04.9l, Rh / Lh,
 2-109
 Roller, Brg, 2-139, 2-147

S

Screen, Oil, 6-7
 Screen, Oil Pump, W/ Suc Pipe, 5-7
 Screen, Pump, 3-5
 Screen, Vacuum, 2-145
 Screw, 2-41, 2-43, 4-8, 6-5, 6-12
 Screw, Adj, Valve, Hyd, 5-3
 Screw, Btn, M8 X 1.25 X 16, Ss, 3-13
 Screw, Btn, M8 X 1.25 X 20, Blk, 2-127,
 2-131, 2-139, 2-147, 3-87
 Screw, Btn, M8 X 1.25 X 25, Ss, 2-109, 3-7
 Screw, Btn, M8 X 1.25 X 40, Ss, 2-123
 Screw, Cap, 4-7
 Screw, Cap, Motor, Hyd, 4-5, 4-11
 Screw, Flt, .25-20 X 1.00, Al, 2-149
 Screw, Flt, .38-16 X 0.75, Al, 2-53
 Screw, Flt, .38-16 X 1.00, Al, 2-53
 Screw, Flt, .38-16 X 1.50, Al, 2-149
 Screw, Flt, M10 X 1.5 X 25, 10.9, 2-127,
 2-131
 Screw, Flt, M8 X 1.25 X 25, 2-25
 Screw, Flt, M8 X 1.25 X 30, Ss, 2-139,
 2-147
 Screw, Flt, Soc, .38-16 X 1.00, Al, 2-79

Screw, Hex, .25-10 X 0.75, Fmg/a, Ss,
 2-145
 Screw, Hex, .25-20 X 0.50, 5, 2-27
 Screw, Hex, .25-20 X 0.50, G5, 2-31,
 2-33, 2-39, 2-71, 2-73
 Screw, Hex, .25-20 X 0.75, G5, 2-31,
 2-33, 2-39
 Screw, Hex, .25-20 X 1.00, 5, 3-7, 3-9
 Screw, Hex, .25-20 X 1.00, G5, 2-113
 Screw, Hex, .25-20 X 1.75, Ss, 2-101
 Screw, Hex, .25-20 X 2.25, Ss, 2-101
 Screw, Hex, .31-18 X 1.75, 5, 2-53
 Screw, Hex, .31-18 X 4.50, 5, 2-53
 Screw, Hex, .31-24 X 0.75, NI, 2-103
 Screw, Hex, .38-16 X 0.75, G5, 2-53
 Screw, Hex, .38-16 X 0.75, NI, 2-105,
 2-107, 3-7, 3-9
 Screw, Hex, .38-16 X 0.88, G5, 3-89
 Screw, Hex, .38-16 X 1.00, 5, 2-87, 2-103
 Screw, Hex, .38-16 X 1.00, G5, 2-113
 Screw, Hex, .38-16 X 1.25, 5, 2-169
 Screw, Hex, .38-16 X 1.25, G5, 3-79, 3-81
 Screw, Hex, .38-16 X 1.25, NI, 2-103
 Screw, Hex, .38-16 X 1.50, Ss, 3-11
 Screw, Hex, .38-16 X 2.00, Ss, 2-103
 Screw, Hex, .38-16 X 3.00, 5, 2-91
 Screw, Hex, .38-16 X 3.75, 5, 2-91
 Screw, Hex, .50-13 X 1.25, 5, 2-27
 Screw, Hex, .50-13 X 1.50, 5, 2-109
 Screw, Hex, .50-13 X 3.00, Ss18-8, 2-125
 Screw, Hex, .75-10 X 3.25, G5, 2-95
 Screw, Hex, .75-10 X 4.00, 5, 2-95
 Screw, Hex, #10-16 X 0.62, Fmg [Ab],
 3-83, 3-85
 Screw, Hex, #10-16 X 0.62, Fmg, [Ab],
 2-23
 Screw, Hex, #10-24 X 0.50, Ss, 2-53
 Screw, hex, H6 X 1.00 X 20, 9.8, Sems,
 3-69
 Screw, Hex, M07-1.00 X 20.0, 8.8, 2-27
 Screw, Hex, M10 X 1.25 X 25, 8.8, 2-67,
 2-69
 Screw, Hex, M10 X 1.5 X 16, 8.8, 2-21
 Screw, Hex, M10 X 1.5 X 20, 8.8, 2-53
 Screw, Hex, M10 X 1.5 X 25, 8.8, 2-13,
 2-27
 Screw, Hex, M10 X 1.5 X 25, Ss, 2-109,
 2-129, 2-133
 Screw, Hex, M10 X 1.5 X 30, 8.8, 3-67
 Screw, Hex, M10 X 1.5 X 30, Ss, 2-11,
 2-135, 3-13, 3-89
 Screw, Hex, M10 X 1.5 X 35, 8.8, 2-55,
 2-57, 2-81
 Screw, Hex, M10 X 1.5 X 35, Ss (Disk
 Scrub Head), 2-11
 Screw, Hex, M10 X 1.5 X 45, 8.8, 3-89
 Screw, Hex, M10 X 1.5 X 80, 8.8, 3-89
 Screw, Hex, M10 X 1.50 X 20, 8.8, 2-57
 Screw, Hex, M10 X 1.50 X 25, 8.8, 2-63
 Screw, Hex, M10 X 1.50 X 25, Ss, 3-71
 Screw, Hex, M10 X 1.50 X 30, 8.8, 3-71
 Screw, Hex, M10 X 1.50 X 45, 8.8, 2-63,
 2-83, 3-71

Screw, Hex, M12 X 1.75 X 30, 8.8, 3-11
 Screw, Hex, M12 X 1.75 X 30, Ss, 2-11,
 2-121
 Screw, Hex, M12 X 1.75 X 35, 8.8, 2-67,
 2-69
 Screw, Hex, M12 X 1.75 X 40, 8.8, 2-97,
 2-109, 2-115
 Screw, Hex, M12 X 1.75 X 40, Ss, 2-121
 Screw, Hex, M12 X 1.75 X 50, 8.8, 2-11
 Screw, Hex, M12 X 1.75 X 55, Ss, 2-121,
 2-129, 2-133
 Screw, Hex, M12 X 1.75 X 60, 8.8, 2-27,
 2-67, 2-69, 2-115
 Screw, Hex, M16 X 2.0 X 90, 8.8, 2-23
 Screw, Hex, M4 X 0.7 X 12, 8.8, 3-21
 Screw, Hex, M4 X 0.7 X 20, 8.8, 3-79, 3-81
 Screw, Hex, M4 X 0.70 X 10, Ss, 3-91
 Screw, Hex, M4 X 0.70 X 12, 8.8, 3-45
 Screw, Hex, M4 X 0.70 X 50, Ss, 4-27
 Screw, Hex, M5 X 0.8 X 10, Fmg, 2-109,
 3-89
 Screw, Hex, M5 X 0.8 X 12, Ss, 3-13
 Screw, Hex, M5 X 0.8 X 16, Fmg, 3-73
 Screw, Hex, M5 X 0.8 X 20, 8.8, 2-19,
 2-103
 Screw, Hex, M5 X 0.80 X 10, Fmg, 3-45
 Screw, Hex, M5 X 0.80 X 16, Ss, 3-69
 Screw, Hex, M5 X 0.80 X 20, 8.8, 3-45
 Screw, Hex, M6 X 1.0 X 12, Fmg, 2-59,
 2-171
 Screw, Hex, M6 X 1.0 X 12, Ss, 3-87
 Screw, Hex, M6 X 1.0 X 16, 8.8, 2-23,
 2-29, 2-35, 2-59, 2-93, 2-99
 Screw, Hex, M6 X 1.0 X 16, Fmg, 2-99,
 2-101, 2-111, 2-115, 3-19, 3-21
 Screw, Hex, M6 X 1.0 X 20, 8.8, 2-45,
 2-49, 2-59
 Screw, Hex, M6 X 1.0 X 20, 9.8, Sems,
 2-60
 Screw, Hex, M6 X 1.0 X 20, Ss, 2-55, 2-57,
 2-81, 2-111, 2-115, 2-121, 2-141,
 2-143, 2-145, 3-3
 Screw, Hex, M6 X 1.0 X 25, 8.8, 2-19
 Screw, Hex, M6 X 1.0 X 25, Ss, 2-121,
 2-129, 2-133
 Screw, Hex, M6 X 1.0 X 50, 8.8, 2-89
 Screw, Hex, M6 X 1.0 X 55, Ss, 2-113,
 2-145
 Screw, Hex, M6 X 1.0 X 60, 8.8, 2-99
 Screw, Hex, M6 X 1.00 X 12, Ss, 2-136,
 3-45
 Screw, Hex, M6 X 1.00 X 16, 8.8, 2-13,
 2-31, 2-33, 2-39, 2-41, 2-91
 Screw, Hex, M6 X 1.00 X 16, Fmg, 2-63,
 3-91
 Screw, Hex, M6 X 1.00 X 16, Ss, 3-33
 Screw, Hex, M6 X 1.00 X 20, 8.8, 2-27,
 2-81
 Screw, Hex, M6 X 1.00 X 20, 9.8, Sems,
 2-21, 2-23, 2-63, 2-83, 3-45
 Screw, Hex, M6 X 1.00 X 20, Ss, 2-129,
 2-133

CROSS REFERENCE

- Screw, Hex, M6 X 1.00 X 25, 9.8 Sems, 2-17, 2-47, 2-51, 2-63, 2-75, 2-77, 2-83
- Screw, Hex, M6 X 1.00 X 25, 9.8, Sems, 3-91
- Screw, Hex, M6 X 1.00 X 25, Ss, 2-145
- Screw, Hex, M6 X 1.00 X 35, 8.8, 2-31, 2-33, 2-39
- Screw, Hex, M6 X 1.00 X 35, Ss, 3-45
- Screw, Hex, M8 X 1.25 X 110, Ss, 2-119, 3-15
- Screw, Hex, M8 X 1.25 X 120, 8.8, Fl, 2-79
- Screw, Hex, M8 X 1.25 X 130, 8.8, 2-105, 2-107
- Screw, Hex, M8 X 1.25 X 16, 8.8, 2-53, 2-79, 2-145, 3-11
- Screw, Hex, M8 X 1.25 X 16, Ss, 2-105, 2-107
- Screw, Hex, M8 X 1.25 X 20, 8.8, 2-13, 2-19, 2-23, 2-25, 2-45, 2-49, 2-53, 2-63, 2-65, 2-79, 2-85, 2-87, 2-89, 2-91, 2-95, 2-99, 2-149
- Screw, Hex, M8 X 1.25 X 20, Ss, 2-11, 2-13, 2-19, 2-25, 2-59, 2-65, 2-91, 2-105, 2-107, 2-109, 2-111, 2-115, 2-121, 2-129, 2-133, 2-135, 2-136, 2-139, 2-145, 2-147, 2-149, 2-151, 2-175, 3-3, 3-5, 3-21, 3-33, 3-45, 3-59, 3-61, 3-63, 3-79, 3-83, 3-85
- Screw, Hex, M8 X 1.25 X 25, 8.8, 2-11, 2-13, 2-45, 2-47, 2-49, 2-51, 2-59, 2-63, 2-75, 2-77, 2-79, 2-83, 2-85, 2-87, 2-89, 2-91, 2-139, 2-147, 2-151, 2-171
- Screw, Hex, M8 X 1.25 X 25, 9.8, Sems, 2-63, 2-83, 2-93, 3-91
- Screw, Hex, M8 X 1.25 X 25, Fmg, 2-111, 3-21, 3-25, 3-29, 3-37, 3-41, 3-51, 3-55
- Screw, Hex, M8 X 1.25 X 25, Ss, 2-65, 2-103, 2-105, 2-107, 2-115, 2-121, 2-123, 2-135, 2-139, 2-143, 2-147, 2-151, 3-7, 3-11, 3-15
- Screw, Hex, M8 X 1.25 X 30, 8.8, 2-79, 2-139, 2-147
- Screw, Hex, M8 X 1.25 X 30, 9.8, Sems, 2-173, 3-91
- Screw, Hex, M8 X 1.25 X 30, Ss, 2-117, 2-121, 2-151
- Screw, Hex, M8 X 1.25 X 35, 8.8, 2-99, 2-139, 2-147
- Screw, Hex, M8 X 1.25 X 35, 9.8, Sems, 2-63, 2-83, 3-91
- Screw, Hex, M8 X 1.25 X 35, Fl, Ss, 2-151
- Screw, Hex, M8 X 1.25 X 40, 8.8, Fl, 2-79
- Screw, Hex, M8 X 1.25 X 40, Ss, NI, 2-103
- Screw, Hex, M8 X 1.25 X 45, 8.8, 2-87, 2-89
- Screw, Hex, M8 X 1.25 X 45, Ss, 2-55, 2-57, 2-81, 2-121, 2-125
- Screw, Hex, M8 X 1.25 X 50, 8.8, 2-103
- Screw, Hex, M8 X 1.25 X 50, Ss, 2-113
- Screw, Hex, M8 X 1.25 X 60, 8.8, Fl, 2-13, 2-53
- Screw, Hex, M8 X 1.25 X 60, Fl, 2-109
- Screw, Hex, M8 X 1.25 X 70, 8.8, 2-99
- Screw, Hex, M8 X 1.25 X 70, Ss, 2-117
- Screw, Hex, M8 X 1.25 X 90, 8.8, 2-79, 2-125
- Screw, Motor, Hyd [En], 4-9, 4-11
- Screw, Mtg [Ehpr98], 4-19, 4-21
- Screw, Pan, #12- 16 X 0.50, F/ Plstc, 2-145, 3-92
- Screw, Pan, 12- 16 X 0.50, F/ Plstc (ec-H20 only), 2-136
- Screw, Pan, M4 X 0.7 X 10, Ss, 2-127, 2-131
- Screw, Pan, M4 X 0.7 X 16, 4.8, 2-25
- Screw, Pan, M4 X 0.7 X 16, Ss, 2-25, 3-3
- Screw, Pan, M4 X 0.7 X 25, 4.8, 2-19
- Screw, Pan, M4 X 0.7 X 25, Ss, NI, 2-6
- Screw, Pan, M4 X 0.7 X 35, Ss, 2-6, 2-103
- Screw, Pan, M4 X 0.70 X 16, 4.8, 2-59
- Screw, Pan, M4 X 0.70 X 20, 4.8, 2-11
- Screw, Pan, M5 X 0.8 X 12, Ss, 2-19, 2-25, 2-91, 2-141, 3-19, 3-25, 3-29, 3-87
- Screw, Pan, M5 X 0.8 X 40, 4.8, 2-29, 2-35
- Screw, Pan, M5 X 0.8 X 40, Ss, 2-105, 2-107, 3-19
- Screw, Pan, M5 X 0.80 X 45, 4.8, 3-79, 3-83
- Screw, Pan, M6 X 1.0 X 12, Ss, NI, 2-123
- Screw, Pan, M6 X 1.0 X 16, Ss, 2-117, 3-79, 3-81
- Screw, Pan, M6 X 1.0 X 25, Ss, 2-123
- Screw, Pan, M6 X 1.0 X 35, Ss, 2-6
- Screw, Pan, M6 X 1.0 X 40, Ss, 2-6
- Screw, Pan, M6 X 1.00 X 16, 4.8, 2-53
- Screw, Pan, M8 X 1.25 X 25, Blk, 2-13, 2-17, 2-21
- Screw, Pan, M8 X 1.25 X 25, Ss, 2-121
- Screw, Pan, Phl, 06-20 X 0.50, Fmg/Ab, 2-25, 2-135, 2-136
- Screw, Pan, Phl, 12- 16 X 0.50, F/ Plstc, 2-135, 2-136
- Screw, Pan, Phl, M4 X 0.70 X 20, Ss, 3-45
- Screw, Pan, Phl, M5 X 0.80 X 12, Ss, 3-33, 3-37, 3-41, 3-55
- Screw, Pan, Phl, M5 X 0.80 X 16, Tcut, Ss, 4-27
- Screw, Pan, Phl, M5 X 0.80 X 20, Ss, 3-51, 3-59, 3-61, 3-63, 3-64, 3-65
- Screw, Pan, Phl, M6 X 1.00 X 35, Ss, 2-8
- Screw, Set, M6 X 1.00 X 40, Ss [Cuppt], 3-77
- Screw, Soc, .25-20 X 0.75, Al, 2-21
- Screw, Soc, .38- 16 X 1.50, Al, 2-27
- Screw, Soc, .50- 13 X 1.50, Al, 2-95
- Screw, Soc, M12 X 1.75 X 55, 10.9, 2-27
- Screw, Soc, M16 X 2.0 X 50, 12.9, 2-95
- Screw, Soc, M4 X 0.70 X 16, 6-30
- Screw, Soc, M6 X 1.0 X 25, 12.9, 2-29
- Screw, Soc, M6 X 1.0 X 45, 12.9, 2-29
- Screw, Soc, M6 X 1.00 X 25, 12.9, 2-31, 2-33, 2-39
- Screw, Soc, M6 X 1.00 X 45, 12.9, 2-31, 2-33
- Screw, Soc, M8 X 1.25 X 25, 12.9, 2-129, 2-133
- Screw, Soc, M8 X 1.25 X 35, 12.9, 2-129, 2-133
- Screw, Soc, M8 X 1.25 X 70, 12.9, 2-39
- Screw, Valve, Steering, 4-23
- Screw, Hex, M5 X 0.80 X 29, 8.8, 3-69
- Seal Kit, Cartridge, 4-13, 4-15, 4-17, 4-19, 4-21
- Seal Kit, Motor [Cl], 3-9, 4-9, 4-11
- Seal Kit, Pump, Hyd, 4-7
- Seal Kit, Steering [Cl], 4-23
- Seal Kit, Valve [Ehpr98], 4-19, 4-21
- Seal Replmt Kit, 4-8
- Seal, Sponge, 0.88 1.00W 43.0L, 2-23
- Seal, Afmkt, Bulb, 90, 0.50d, 02ft, 2-19
- Seal, Afmkt, Bulb, 90, 0.75d F/11ga 02ft, 2-19, 2-25
- Seal, Afmkt, Bulb, 90, 0.75d F/11ga 08ft, 2-13
- Seal, Afmkt, Bulb, Str, 0.58d 08ft, 2-83, 3-91
- Seal, Afmkt, Bulb, Str, 1.0d F/11ga 08ft, 2-23
- Seal, Afmkt, Ure, Adh, 0.38, 0.38w 02ft, 2-83
- Seal, Bulb, Str, .50Hi .50W 047.2L, Adh, 2-135, 2-136
- Seal, Cam Shaft, Front, 6-5
- Seal, Cap, 6-5
- Seal, Case, Oil, Rear, 6-3
- Seal, Drive, Rear, Grease Cav, 2-95
- Seal, Foam, 0.50, 2-13
- Seal, Oil, 6-3, 6-12
- Seal, Oil, Cshft, 5-5
- Seal, Org, 2-35
- Seal, Org, .069 X 3.06id, 2-169
- Seal, Org, .072 X 00.35id #04, 4-15, 4-21
- Seal, Org, .078 X 00.47id #06, 4-13, 4-15, 4-21
- Seal, Org, .078 X 00.47id 06, 4-17, 4-19
- Seal, Org, .087 X 00.64id #08, 4-15, 4-21
- Seal, Org, Bolt, Cover, Camshaft Hsng, 5-11
- Seal, Org, Cap, 5-3
- Seal, Org, Cap, Fltr, Oil, 5-8
- Seal, Org, Hsng, Oil Pump, 5-7
- Seal, Org, Lpg, Mixer, 6-28
- Seal, Org, Oil Pump, 5-7
- Seal, Org, Press Switch / Drain Plug, 5-7, 5-8
- Seal, Org, Sensor, Temp [Epr], 2-41, 2-43
- Seal, Org, Throttle Body, 2-35
- Seal, Org, Water Pump, 5-7
- Seal, Panl, Instmt, 2-13
- Seal, Plug, Drain [Nitrile], 2-145
- Seal, Radiator, 2-59
- Seal, Radiator, Upper, 2-93
- Seal, Rbr, Clsd, 0.13, Instmt Panl, 2-17
- Seal, Ring, Pipe, Suc, Oil Pump, 5-7
- Seal, Seat, Valve, 5-3

- Seal, Shaft, Drain Plug, 2-145
 Seal, Wiper, 2-121
 Seal, Wire, 14/16ga [Wp / Mp280 Sealed], 4-25
 Sealant, Tube, Ds, 5-8
 Seat, 4-29
 Seat (See Breakdowns), 2-19
 Seat, Rotator, Valve, 5-3
 Seat, Spring, Valve, 5-3
 Seat, Spring, Valve, 0.333, 5-3
 Seat, Suspension, W/1 Arm And Belt, 2-19
 Seat, Valve, Exhaust, [+0.2mm], 5-3
 Seat, Valve, Exhaust, [+0.4mm], 5-3
 Seat, Valve, Exhaust, Std, 5-3
 Seat, Valve, Intake, [+0.2mm], 5-3
 Seat, Valve, Intake, [+0.4mm], 5-3
 Seat, Valve, Intake, Std, 5-3
 Seatbelt, 4-29
 Seatbelt, Retractable [Deluxe Seat], 2-19
 Send-Unit, Fuel, 2-87
 Send-Unit, Fuel [2007], 2-89
 Send-Unit, Water, Temp, 04npt 113oh/195d, 2-173
 Sensor [T Map], 2-31, 2-33, 2-39
 Sensor [Tmap], 2-29, 2-35, 6-25
 Sensor, Camshaft [Mit], 6-25
 Sensor, Exhaust, Tailpipe, 2-57, 2-81, 6-25
 Sensor, Level, Liq, 14vdc 01a .62- 11, 2-136, 2-145, 3-5
 Sensor, Oxygen, 2-55
 Sensor, Oxygen [Gm 1.6L/3.0L 2007], 2-57
 Sensor, Position, Cshft, 2-27, 5-7
 Sensor, Spd / Dir, 6-30vdc, 2-103
 Sensor, Spd, Timing Wheel [3.0], 6-25
 Sensor, Temp [Epr], 2-41, 2-43
 Sensor, Temp, Coolant, 2-27, 6-25
 Sensor, Temp, Water [Rework For 1.6GM], 2-27
 Shaft Wldt, Arm, Lift, 2-117
 Shaft Wldt, Brake, 2-99
 Shaft Wldt, Pedal, Brake, 2-99
 Shaft, Arm , Rocker, 6-9
 Shaft, Arm, Rocker, 6-9
 Shaft, Brush, Idler, 2-105, 2-107
 Shaft, Cap, Rocker, 6-9
 Shaft, Left, Balancer, 6-11
 Shaft, Motor, Hyd, 4-5
 Shaft, Output, 4-8
 Shaft, Output, Motor, Hyd, 4-11
 Shaft, Output, Motor, Hyd [En], 4-9
 Shaft, Pump, 4-7
 Shaft, Pump, Water, 4-3
 Shaft, Right, Balancer, 6-11
 Shaft, Spring, Rocker, 6-9
 Sheave Assy Kit, Repair, 2-53
 Sheave, 5.00dia [Gm1.6l 2007], 2-53
 Sheave, Cshft, 5-5
 Sheave, Mach [Gm1.6l 2615rpm Fan], 3-91
 Sheave, Mach [Gm1.6l], 2-53
 Sheave, Mach [Mit 2615rpm Fan], 2-79
 Shield Kit, Debris, Replmt [T20], 2-121
 Shield Kit, Side, Replmt [T20], 2-127, 2-131
 Shield Wldt, Switch, Float, 2-145
 Shield, Heat, Gas/Lpg, Replmt, 2-57
 Shield, Heat, Gas/Lpg, Replmt (Japan Only), 2-57
 Shield, Heat, Lower [Mit 20/24m], 6-16
 Shield, Heat, Upper [Mit 20/24m], 6-16
 Shield, Manifold, Exhaust, 5-9
 Shield, Starter [1.6], 2-27
 Shield, Tray, Debris [Trimmed], 2-121
 Shield, Tray, Drip [Mit 2013], 2-81
 Shim Kit, 4-7
 Shim, Washer, 0.88d 0.51b .020, 2-149
 Shim, Washer, 0.88d 0.51b .060, 2-149
 Shock Absorber, 2.3 Strk, 2-103
 Shoe, Brake, 180 X 30mm, 2-97
 Shoe, Plstc, Sqge, 14.0, 3-73
 Shrd Wldt, Fan, G/Lp, Replmt [M20/M30/T20], 2-63, 2-83
 Shrd Wldt, Fan, G/Lp, Replmt [TJ] (Japan Only), 2-63, 2-83
 Shroud Assy, Eng, 2-25
 Shroud Wldt, Fan, 16.25d [Side X Side], 2-63
 Shroud, Fan, 2-83, 3-91
 Shroud, Front, Trimmed, 2-23
 Shroud, Seat, 2-19
 Skirt, Debris, Eng Radiator, 2-59
 Skirt, Eng Fan, Gas / Lp, 2-63, 2-83
 Skirt, Front, Disk Head, 1-1, 2-115
 Skirt, Neo, .06, 06.85w 27.95l, 08 Hole, 1-1
 Skirt, Neo, .06, 07.63w 51.52l, 11 Hole, 2-111
 Skirt, Neo, .06, 12.00w 45.88l, 07 Hole, 1-1, 2-111
 Skirt, Neo, .18, 10.37w 27.95l, 12 H&S, 1-1
 Sleeve, 0.31b 0.50d 0.3l, Ss, 2-129, 2-133, 2-145
 Sleeve, 0.49b 0.68d 1.2l [304ss], 2-121, 2-129, 2-133
 Sleeve, Dashpo, Pump, Hyd, Gear, 4-5
 Sleeve, Fing, 0.48b 1.25/0.88d 0.6l, Stl, 2-121
 Sleeve, Nyl, #37 05.0l, 2-95
 Sleeve, Nyl, 1.22id 14.0l, 2-167
 Sleeve, Nyl, 2.38id 25.0l, 2-95
 Sleeve, P/M, 0.31B 0.44D 1.2L [430Ss], 2-123
 Sleeve, P/M, 0.31b 0.50d 0.3l [430ss], 2-139, 2-147
 Sleeve, P/M, 0.31b 0.50d 0.7l [430ss], 2-119, 2-139, 2-147
 Sleeve, P/M, 0.31b 0.50d 0.9l [430ss], 2-55, 2-57, 2-81, 2-105, 2-107, 2-113
 Sleeve, P/M, 0.34b 0.63d 0.6l, Bnz, 2-125
 Sleeve, P/M, 0.34b 0.63d 1.2l, Bnz, 2-119
 Sleeve, P/M, 0.37b 0.50d 0.6l [430ss], 3-11
 Sleeve, P/M, 0.43b 1.00d 1.0l, Stl, 2-87
 Sleeve, P/M, 0.47b 0.75d 0.5l [430ss], 2-109, 2-115
 Sleeve, Pump, Water, 4-3
 Sleeve, Rbr, 3.50b 3.58d 1.8l, 3-5
 Sleeve, Throttle, Plstc [Bosch], 2-35
 Solenoid, #10, 12vdc, 4-13, 4-15, 4-17, 4-19, 4-21
 Solenoid, #8, 12vdc, 4-13, 4-15, 4-17, 4-19, 4-21
 Solenoid, 12v, Valve, Hyd [Cec], 4-10
 Spacer, 2-113, 3-7, 3-9
 Spacer Plate, 4-8
 Spacer, Alternator [Mit 2.0/2.4], 6-20
 Spacer, Belt, Balancer, Train, 6-11
 Spacer, Crankshaft, 2-79
 Spacer, Fan, 2-53
 Spacer, Fan, Taper [2007], 2-53
 Spacer, Fan, Taper [Mit 2013], 2-79
 Spacer, Hub, Keyed, 2-113, 3-7, 3-9
 Spacer, Plstc, Ny, 2-19
 Spacer, Pump, Water, 2-79
 Spacer, Ring, Throttle [Mit 40mm], 6-28
 Spacer, Rlr, 2-121
 Spacer, Sppt, Fltr Lock Off, 2-35
 Spacer, Sqge, Side Brush, Rbr, 3-9
 Spacer, Strap, Adj, Alternator, 2-53
 Spacer, Valve, Steering, 4-23
 Sparkplug, 5-12
 Sparkplug [Gm], 1-1
 Sparkplug [Gm, 1pick=1plug], 1-1
 Spool, Pilot, Hyd, 4-13, 4-15, 4-17, 4-19, 4-21
 Spring, 4-5
 Spring Kit, Flat, Replmt [T20], 2-117
 Spring Kit, Scu [Cl], 4-23
 Spring, 3/4 X 16 [Gm1.6L 2010 Lpg], 2-43
 Spring, Cmpr, 0.97od .11wir 2.5l, 2-121
 Spring, Cmpr, 0.40od .04wir 00.6l, Ss, 3-77
 Spring, Cmpr, 0.42od .06wir 1.50l, 2-113
 Spring, Cmpr, 0.9od .042wir 02.0l, 2-119
 Spring, Cmpr, 18.8d, 1.6w, 57.1l, 2-21
 Spring, Dsl, 1.00od 0.50id 1.7l, 2-125
 Spring, Extn, 0.75od X 0.09wir, 2.5l, 2-129, 2-133
 Spring, Extn, 0.75od X 0.12wir, 4.3l, 2-103
 Spring, Extn, 1.69od X 0.20wir, 9.5l, 2-117
 Spring, Extn, 2.00od 0.25wir 07.5l, 2-109
 Spring, Flat, .06 X 4.13 X 6.5l 4 Hole, 2-117
 Spring, Flat, Retainer, Screen, 2-123
 Spring, Keeper, 2-125
 Spring, Motor, Hyd, 4-5
 Spring, Tors, 0.75id .06wir 02.8coil, 2-99
 Spring, Tors, 1.13id .12wir 02.3coil Rh, 2-99
 Spring, Valve, 5-3
 Spring, Valve, Relief, Oil Press, 5-7
 Spring, Wir, 0.08d, Brake, Parking, 2-99
 Spring, Wir, 0.16d, Brush Retaining, 2-6, 2-8

CROSS REFERENCE

- Spring, Wir, 0.16d, Brush Retaining [T5], 2-6
Spring, Wir, 0.25d, Return, Brake, 2-97
Sprocket Assy, Cshft, 6-9
Sprocket, Camshaft, 5-11, 6-9
Sprocket, Crankshaft, 5-11
Sprocket, Cshft, 6-11
Sprocket, Pump, Oil, 6-9
Sprocket, Shaft, Balancer, 6-11
Squeegee Assy, Sba, Linatex, 1-2, 3-7
Squeegee Assy, Sba, Ure, 1-2, 3-7
Squeegee Kit, Rear, Replmt [M20/T20], 2-119
Squeegee Wldt, Rear, 2-119
Stand-Off, Hex, M8 X M8, Metal, 2-67, 2-69
Starter, 12vdc [Delco] (Mar. 2006 and Newer), 5-5
Starter, 12vdc [Gm] (Before Mar. 2006), 5-5
Starter, Motor [Mit 2.0/2.4], 6-20
Steer-Control, Hyd#05, 06.1 2030 (See Breakdowns), 2-21
Steer-Control, Hyd05, 06.1 2030, 4-23
Stem, Valve, Hyd, 4-13, 4-15, 4-17, 4-19, 4-21
Stem, Valve, Hyd [4w2p], 4-17, 4-19
Stem, Valve, Hyd, 4w2p, 4-13, 4-15, 4-21
Stop, Rotation, 2-125
Strainer Wldt, Trough, Debris 4.3w 15.L, 2-123
Strainer, Hyd, 25gpm 100mesh Psi, 2-173
Strainer, Hyd, 025gpm 100mesh 03psi, 1-1
Strainer, Hyd, 25 Gpm 100 Mesh, 1-1
Strainer, Soltn, 20 Mesh, Cyl 3.5d 9.5l, 3-5
Strap, Adj, Alternator, 2-53
Strap, Mtg, Tank, Lpg, 2-91
Strap, Mtg, Tank, Lpg, Hinge, 2-91
Strap, Rbr, 13.2l [2/S Hooks], 3-79, 3-81
Strap, Rbr, Tie-Down, 2/Hooks 19.0l, 2-93
Strap, Sppt, 2-103
Strap, Static, .19 1.1w 25.0l W/ Grommet, 2-121
Strap, Static, W/Grommet, .19 1.1w 25.0l (Disk Scrub Head), 2-11
Strap, Tank, Gas, 2-87, 2-89
Strip Mtg, Seal, 2-23
Strip, Non-Slip, 0.50w 06.0l, 2-119
Strip, Rbr, 0.06 03.54w 03.5l [Neo/60], 3-45
Stud, 6-5
Stud, .31-18 2.75l M8 X 1.25, Ss, 2-119
Stud, Ball, .39d .31-16, Gasspring, 2-19
Stud, M05-0.8, 2-39, 6-30
Stud, M10 X 1.50 [35], 2-53, 2-55, 2-57
Stud, M10-1.25 X 50, Full Thrd [Mit], 6-25
Stud, M8-1.25 X 30 [Mit Double End], 6-15
Stud, M8-1.25 X 35 [Mit Double End], 6-15
Stud, M8-1.25 X 40 [Mit], 6-16
Stud, M8-1.25 X 50 Full Thrd [Mit], 6-15
Stud, Manifold, Intake, M8 X 28, 6-16
Stud, Manifold, M8 X 28, 5-9
Stud, Manifold, M8 X 96, 5-9
Stud, Starter, M08 X 1.25, 5-5
Stud, Wheel, .50-20 X 1.50l, 0.370th, 2-95
Support Wldt, Sqge, Lh Rear, 3-89
Support Wldt, Sqge, Rh Rear, 3-89
Switch Assy, Press, 3.0, 17.5l Tube, 3-5
Switch Kit, Pump, Repair,, 4-25
Switch, Ignition [Ku], 2-17
Switch, Indicator, Oil Press, 2-27, 5-7
Switch, Indicator, Oil Press [2010], 2-27, 5-7
Switch, Press, 0006psi Dpdt, 2-27
Switch, Press, 10psi, Spst, 3-19
Switch, Press, 12vdc 08a Spst Nc 0070psi, 2-91
Switch, Press, 50 Psi, Pm02, 3-47
Switch, Pressure, Oil, 6-12
Switch, Rocker, Dpdt On/Off/On, 2-17
Switch, Rocker, Dpdt, On / None / On, 3-79, 3-83
Switch, Rocker, Spst, Mom, 3-45
Switch, Seat, 4-29
Switch, Seat, No [Delta 6440-04], 2-19
- T**
- Tank Kit, Soltn, W/ Bracket, Replmt, 2-135
Tank, Coolant, 03.30w 4.7hi 04.7l, 1liter, 2-65
Tank, Coolant, 03.6w 04.1hi 05.5l, 1liter, 2-65, 2-85
Tank, Coolant, 04.7 03.3 4.7deep, 1liter, 2-59
Tank, Detgt, Trimmed, 3-5
Tank, Fuel, 11.26Gal, gas, Replmt, 2-87
Tank, Fuel, 11.2gal, Gas, Replmt [2007], 2-89
Tank, Lpg, 33lb, W/ Gauge [Empty, Liq], 2-91
Tank, Recvy, Trimmed, 2-145
Tank, Soltn, W/ Es [T20], 2-135
Tank, Soltn, W/ Label, 2-135
Tensioner, 6-9
Tensioner, Timing, Belt, 6-11
Terminal, Bullet, Mal, .157d, 12ga, 3-61, 3-63, 3-64, 3-65
Terminal, Fem, Mp280, Sealed, 18-16ga, 4-25
Thermostat Kit, Coolant, Replmt [Mitsub], 6-22
Thermostat, W/ Hsng And Seal, 5-3
Thrust Bearing, 4-8
Thurst, Case, 6-5
Tie, Cable, 6.0l, 1.25d Max, 3-64, 3-65
Tie, Cable, 11.3l, 2.75d Max, 3-19
Tie, Cable, Nyl, 07.3l .19w 1.8 Max D, 2-17, 2-29, 2-31, 2-63, 2-95, 2-107, 2-167, 3-19, 3-47, 3-64, 3-65
Tie, Cable, Nyl, 14.5l .30w 4.0 Max D, 4-27
Tie, Cable, Nyl, 15.3l . W 4.5 Max D, 3-19, 3-25, 3-37, 3-51
Tire Assy, Solid, 18.0x6.0 4.5bc/5bolt, 1-2
Tire, Drive, Scrbr, Non-Skid, 18.0X6.0, 2-95
Tire, Drive, Scrbr, Pu, Grey, 18.0X6.0 (Optional Polyurethane), 2-95
Tire, Idler, Scrbr, Blk, 16.0X3.5, 2-97
Tire, Idler, Scrbr, Non-Skid, 16.0x3.5 (Optional), 2-97
Tire, Idler, Scrbr, Pu, Grey, 16.0X3.5 (Optional Polyurethane), 2-97
Track Assy, Slide, 4-29
Transport Kit, Ci [T20], 3-87
Tray, 3-79, 3-81
Tray Kit, Debris, Replmt [T20], 2-123
Tray Wldt, Fuel, 2-87, 2-89
Tray Wldt, Lpg, 2-91
Tray, Debris, Trimmed, 2-123
Tread, Non-Skid, 01.9w 08.0l, 2-11
Tread, Non-Skid, 02.2w 11.5l, 3-13
Tread, Non-Skid, 03.0w 11.6l, 2-11, 2-13, 2-101
Tube [Pcv], 5-3
Tube Assy, Plug, Drain, 2-145
Tube Kit, Hyd, Case Drain [M20/T20], 2-107
Tube Kit, Tank, Recvy, Replmt, 2-147
Tube Kit, Tank, Soltn, Replmt, 2-139
Tube Wldt, Exhaust, Gas/Lpg, 2-55
Tube Wldt, Leg, Ohg, Lh, Pntd, 3-67
Tube Wldt, Leg, Ohg, Rh, Pntd, 3-67
Tube Wldt, Plug, Drain, 2-145
Tube Wldt, Tee, 2-45, 2-47, 2-49, 2-51
Tube Wldt, Tee [Mit 2013], 2-75, 2-77
Tube Wldt, Torque, 2-109, 2-115
Tube Wldt, Vacuum, 2-123
Tube, 0.50d 0.32b 00.4l, Ss, 2-139, 2-147
Tube, 00.38d 00.26b 00.3l Stl Plt, 2-101
Tube, 00.50d 00.38b 00.6l Stl, 2-103
Tube, Air Bleed, .62d 2.2l .12npt Alm, 2-29, 2-36
Tube, Bleed, Air, .62od 2.2l .12npt, Alm, 2-31, 2-41
Tube, Coolant, 1.3d, Lower, 2-65
Tube, Coolant, 1.3d, Lower [Mit 2013], 2-85
Tube, Coolant, Lower, 1.3d, 2-59
Tube, Cooling, Line [Mit], 6-23, 6-26
Tube, Distribution, Water, 2-141
Tube, Ds, 5-8
Tube, Exhaust, 1.5d, 2-55
Tube, Exhaust, Fling, 1.5d [M20/T20 2007], 2-57, 2-81
Tube, Hyd, 08 Jf08/Jf08, 3-15
Tube, Hyd, 08 Jf08/Jm08, 2-105
Tube, Hyd, Brush Return, W/ Cd [M20/T20], 2-107
Tube, Hyd, Main Return [G/Lp Mit2013], 2-171
Tube, Hyd, Main Return [M20], 2-171
Tube, Hyd, Sqge, 2-171

Tube, Pump, Water, 6-22
 Tube, Pvc, Clr, 4.0I [Shc80], 3-23, 3-25, 3-27, 3-29
 Tube, Rnd, 1.75d 0.77b 01.1I, Stl, Pntd, 2-95
 Tube, Rnd, 3.00d 2.90b 02.0I, Ss, 2-139, 2-147
 Tube, Vacuum, 2-11
 Tube, Vinyl, Pump, Water, 4-3
 Tube, Wand, Vacuum, Metal [1pick=1box], 3-73
 Tube, Water, Line [Mit], 6-22
 Tubing Connctr.Kit, Gorman Pmp, 4-24

U

Upper Hsg Kit, Pump, Repair,, 4-25

V

Valve Assy [Proportional], 4-19, 4-21
 Valve Assy, Relief [CI], 4-23
 Valve Assy, Water, Solenoid , 12vdc, 2-141, 2-143
 Valve Assy, Water, Solenoid, 12vdc, 3-13, 3-51
 Valve Kit, Poppet, Gorman Rupp, 4-24
 Valve Stem, N.O.Valve, Hyd, 4-10
 Valve, Ball, 04pf, Chm W/ Handle, 2-87
 Valve, Body, Throttle, Lpg, 2-36
 Valve, By- Pass, Oil Fltr, 5-8
 Valve, Check, 2-35, 4-13, 4-15, 4-17, 4-19, 4-21
 Valve, Check, 0002psi [FaST li+], 4-30
 Valve, Check, 0002psi Bm04/Bm04, 3-21
 Valve, Check, 0005psi [FaST li+], 4-30
 Valve, Check, 0005psi Bm06/Bm08, 3-33
 Valve, Check, 0005psi Pm04/Bm06, 3-47
 Valve, Check, 2Gpm .5Psi Bm08/Bm08, 3-51, 3-55
 Valve, Check, Pump, Water, 4-3
 Valve, Cntrl, Hyd, 4-15
 Valve, Cntrl, Hyd (See Breakdowns), 2-175
 Valve, Cntrl, Hyd [M20 And T20] (Repaced by 1037805), 4-13
 Valve, Cntrl, Hyd [M20 And T20] (See Breakdowns), 3-15
 Valve, Cntrl, Hyd, Solenoid, 03/16gpm, 4-17, 4-19
 Valve, Cntrl, Hyd, Solenoid, 03/16gpm (See Breakdowns), 3-15
 Valve, Cntrl, Hyd, Solenoid, 12vdc 08gpm, 4-21
 Valve, Cntrl, Hyd, Solenoid, 12vdc 08gpm (See Breakdowns), 2-175
 Valve, Cntrl, Water, 3-77
 Valve, Exhaust, 5-3, 6-9
 Valve, Fuelock, Lpg, Wire Connector, 2-35
 Valve, Gasket, Pcv, 6-4
 Valve, Hyd Cartridge 10no/-0, 4-10
 Valve, Hyd, Check, Jm08/Om08 5000psi, 3-15

Valve, Hyd, Solenoid 12vdc 3000psi (See Breakdowns), 3-15
 Valve, Inlet, 6-9
 Valve, Intake, 5-3
 Valve, Lock Off, 2-41
 Valve, Lock Off [Gm 1.6L 2010], 2-43
 Valve, Lpg, Press Relief [Rego], 2-91
 Valve, Motor, Hyd, 4-5
 Valve, Pcv, 6-4
 Valve, Relief, 4-13, 4-15, 4-17, 4-19, 4-21
 Valve, Relief, 3000 Psi, 4-7
 Valve, Relief, 4000 Psi, 4-7
 Valve, Relief, Oil Press, 5-7
 Valve, Seal, Stem, 6-9
 Valve, Shutoff, 3-83, 3-85
 Valve, Solenoid, 12vdc, Water Flow, 3-25, 3-29, 3-37, 3-41, 3-55
 Valve, Spring, 6-9
 Valve, Spring, Lock, 6-9
 Valve, Spring, Retainer, 6-9
 Valve, Spring, Seat, 6-9
 Valve, Stem, No, 4-13, 4-15, 4-17, 4-19, 4-21
 Valve, Trim, Fuel, Normal Flow, 2-36
 Valve, Vent, Air, Float Type, 3-47
 Valve, Water, 12vdc, 6.0mm, 04pf, 3-19
 Valve, Water, Solenoid, 12vdc 0.08pf, 3-3
 Valve, Water, Solenoid, 12vdc 6.0mm Pf04, 3-33
 Video, Oprtr, Dvd [W/Checklist T20], 3-93

W

Wand Assy, Power, 3-77
 Wand Kit, Vac, Sqge, Ci [T20], 3-73
 Wand, Clean- Out, 3-83, 3-85
 Wand, Dbl Bend, 38.1mmd, 3-77
 Washer, 6-9, 6-21
 Washer, 1/4 Flat [Mit], 6-27
 Washer, Belleville, .31, 2-103
 Washer, Belt, Balancer, Train, 6-11
 Washer, Bolt, 6-7
 Washer, Flat 3/8, Sae, 6-17
 Washer, Flat, .781b 1.63od .16, Stl, Blk, 2-95
 Washer, Flat, .78b 1.75d .18, Ss, 2-145
 Washer, Flat, #06, 2-59, 3-73, 3-79, 3-81
 Washer, Flat, #08, 2-19
 Washer, Flat, #08, Ss, 2-6
 Washer, Flat, #10, 2-19, 2-25, 2-53, 2-93, 3-79, 3-83
 Washer, Flat, #10 Ss, 2-103
 Washer, Flat, #10, Ss, 2-29, 2-35, 3-3, 3-19, 3-25, 3-29, 3-83, 3-85
 Washer, Flat, 0.25 Fendr, 2-19
 Washer, Flat, 0.25 Sae, 2-19, 2-21, 2-29, 2-35, 2-45, 2-49, 2-55, 2-59, 2-87
 Washer, Flat, 0.25 Std, 2-27, 2-59, 2-93, 2-99, 2-101, 2-103, 3-19, 3-21
 Washer, Flat, 0.25, Fendr, 2-60, 2-63, 2-83
 Washer, Flat, 0.25, Sae, 2-31, 2-33, 2-39, 2-57, 2-63, 2-81, 2-89, 2-91, 3-45, 3-91

Washer, Flat, 0.25, Ss, 2-111, 2-113, 2-115, 2-121, 2-123, 2-141, 2-143, 2-145, 3-3, 3-87
 Washer, Flat, 0.25, Std, 2-13, 2-27, 2-31, 2-33, 2-39, 2-41, 2-63, 2-71, 2-73, 2-81, 2-83
 Washer, Flat, 0.27B 0.69D .05, Ss, 2-8, 2-136, 3-33, 3-45, 3-69
 Washer, Flat, 0.31 Sae, 2-13, 2-53, 2-103, 2-129, 2-133
 Washer, Flat, 0.31, Hardened, 2-53
 Washer, Flat, 0.31, Sae, 2-53, 2-79, 2-81, 2-123, 2-139, 2-147
 Washer, Flat, 0.31, Ss, 2-55, 2-59, 2-111, 2-113, 2-117, 2-119, 2-121, 2-125, 2-129, 2-133, 3-3, 3-7, 3-11
 Washer, Flat, 0.31, Std, 2-11, 2-13, 2-19, 2-21, 2-23, 2-25, 2-45, 2-47, 2-49, 2-51, 2-53, 2-57, 2-59, 2-63, 2-65, 2-75, 2-77, 2-79, 2-83, 2-85, 2-87, 2-89, 2-91, 2-95, 2-99, 2-105, 2-107, 2-109, 2-115, 2-117, 2-135, 2-139, 2-143, 2-145, 2-147, 2-171, 3-11, 3-13, 3-15, 3-67, 3-79, 3-83, 3-87, 3-91
 Washer, Flat, 0.32b 1.00d .12, Ss, 2-13, 2-19, 2-25, 2-79, 2-121, 2-123, 2-135, 2-136, 2-139, 2-145, 2-147, 2-149, 2-151, 2-175, 3-5, 3-21, 3-33, 3-45, 3-59, 3-61, 3-63, 3-83, 3-85
 Washer, Flat, 0.34b 0.75d .12 [Viton], 3-19
 Washer, Flat, 0.38 Sae, 2-27, 2-53, 2-67, 2-69, 2-103, 2-109, 2-125, 2-169
 Washer, Flat, 0.38 Std, 2-19, 2-87, 2-91, 2-103, 2-125, 3-7, 3-9, 3-67
 Washer, Flat, 0.38, Hardened, 2-27, 2-41, 2-43
 Washer, Flat, 0.38, Sae, 2-53, 2-57
 Washer, Flat, 0.38, Std, 2-57, 2-63, 2-81, 2-83, 2-113, 2-135, 3-71, 3-79, 3-81, 3-89
 Washer, Flat, 0.38, Std (Disk Scrub Head), 2-11
 Washer, Flat, 0.38b 0.88d .08, Ss, 2-57, 2-65, 2-81, 2-125, 2-151
 Washer, Flat, 0.38b 1.25d .12, Neo, 2-123
 Washer, Flat, 0.40b 1.12d .12, Ss, 2-53, 2-59, 2-63, 2-83, 2-149, 3-67
 Washer, Flat, 0.41b 1.25d .12, Pye, 2-19
 Washer, Flat, 0.44b 1.00d .08, Ss, 2-11, 2-121, 2-123, 3-13, 3-89
 Washer, Flat, 0.50 Sae, 2-21, 2-27, 2-59, 2-67, 2-69, 2-97, 3-11
 Washer, Flat, 0.50 Std, 2-27, 2-67, 2-69
 Washer, Flat, 0.50, Std, 2-11, 2-27, 2-121
 Washer, Flat, 0.50, Std (Disk Scrub Head), 2-11
 Washer, Flat, 0.53b 1.88d .12, Stl, Pl, 2-13, 2-27, 2-67, 2-69, 2-119
 Washer, Flat, 0.56b 1.38d .11, Ss, 2-109, 2-115, 2-117, 2-129, 2-133
 Washer, Flat, 0.62 Sae, 2-23

CROSS REFERENCE

Washer, Flat, 0.66b 1.00d .12, Rbr, 3-3, 3-83, 3-85
Washer, Flat, 0.69b 1.19d .06, Stl, Pl, 2-125
Washer, Flat, 0.75 Sae, 2-95
Washer, Flat, 0.76b 1.50d .06, Ss, 2-97
Washer, Flat, 0.79b 1.18d .06, Nyl, 2-139, 2-147
Washer, Flat, 0.81b 1.06d .06, Stl, 2-59, 2-63, 2-83
Washer, Flat, 08, 3-45
Washer, Flat, 08, Ss, 4-27
Washer, Flat, 1.15b 1.75d .08, Stl, 2-17
Washer, Flat, 1.26b 1.88d .13, Stl, 3-13
Washer, Flat, 1.26B 1.88D .13, Stl, Pl, 2-11
Washer, Flat, 1.39b 2.12d .13, Stl, 2-95
Washer, Flat, 10, 3-45, 3-59, 3-61, 3-63, 3-64, 3-65
Washer, Flat, 10, Ss, 3-33, 3-37, 3-41, 3-51, 3-55, 3-69
Washer, Flat, 2.16b 3.50d .16, Felt, 2-95
Washer, Flat, Belleville, .25, 2-121, 2-129, 2-133
Washer, Flat, Belleville, .31, 2-53, 2-79, 2-139, 2-147, 2-149, 3-11
Washer, Flat, Belleville, .38, 2-57, 2-103, 2-129, 2-133
Washer, Flat, Belleville, .50, 2-121, 2-129, 2-133, 2-151
Washer, Flat, M21.0b X 37d X 3, 2-97
Washer, Flat, Pump, Hyd, 4-7
Washer, Lock, 0.38, 6-17
Washer, Lock, Int-Ext, 0.31, 2-121
Washer, Lock, Int-Ext, 0.31 (Disk Scrub Head), 2-11
Washer, Lock, Int-Ext, 0.38, 2-53
Washer, Lock, Int-Ext, 10, 2-25
Washer, Lock, Int, #10, Ss, 3-19
Washer, Lock, Int, 0.25, 3-45
Washer, Lock, Int, 0.38, 2-53
Washer, Lock, Int, 08, Ss, 4-27
Washer, Lock, M12 [Mit], 6-18
Washer, Lock, M6 [Mit], 6-28
Washer, Lock, M8 [Mit], 6-9, 6-21
Washer, Pump, Hyd [En], 4-7
Washer, Rbr, 4-3
Washer, Sealing, 0.28b 0.75d Ss, Neo, 2-145
Washer, Sheave, Cshft, 5-5
Washer, Shld, Nyl [8-32], 2-17
Washer, Special, 6-10
Washer, Spring, 6-13
Washer, Sprkt, Camshaft, 5-11
Washer, Star, M10 [Mit], 6-25
Washer, Strainer, 6-7
Washer, Thrust, 0.34b 1.50d .06, 2-139, 2-147
Washer, Thrust, 0.61b 1.25d .06, Fgl, 2-125, 2-127, 2-129, 2-131, 2-133, 3-7
Washer, Thrust, 1.00b 1.75d 0.13w, Fbr, 3-11
Washer, Flat 0.25, Ss, 2-6, 3-79, 3-81
Wheel, 06.0D 2.00W 1.19B, Gray Rbr, 2-11, 3-13
Wheel, 3.0d 0.87w 0.44b, Rbr, Pp Core, 2-123
Wheel, 3.0d 1.38w 0.50b, 1-1, 2-125
Wheel, 4.0d 0.89w 0.64b, 2-119
Wheel, 41.3d 19.1w, Rbr, 3-77
Wheel, Steering, 14.3d 0.81b 36tooth, 2-21
Wire Set, Sparkplug [1.6], 5-12
Wire, 10ga 16.0l Blk .25ring /.38ring, 2-53
Wire, 16ga 09.6l Brown Mp280/ #10ring, 2-27