

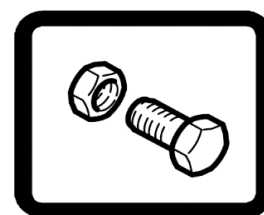
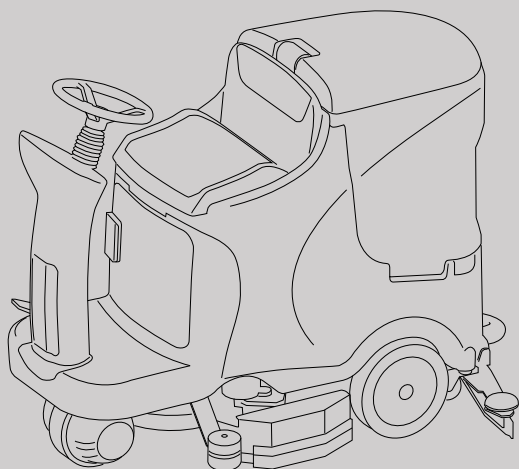


alfa
Uma Empresa Tennant

A780

(Bateria)

Lavadora Automática de Piso
Manual de Peças
(Operação a bordo)



Ref: LPTB03078

**Criando um mundo
mais limpo, seguro e saudável**

Peças Originais Alfa

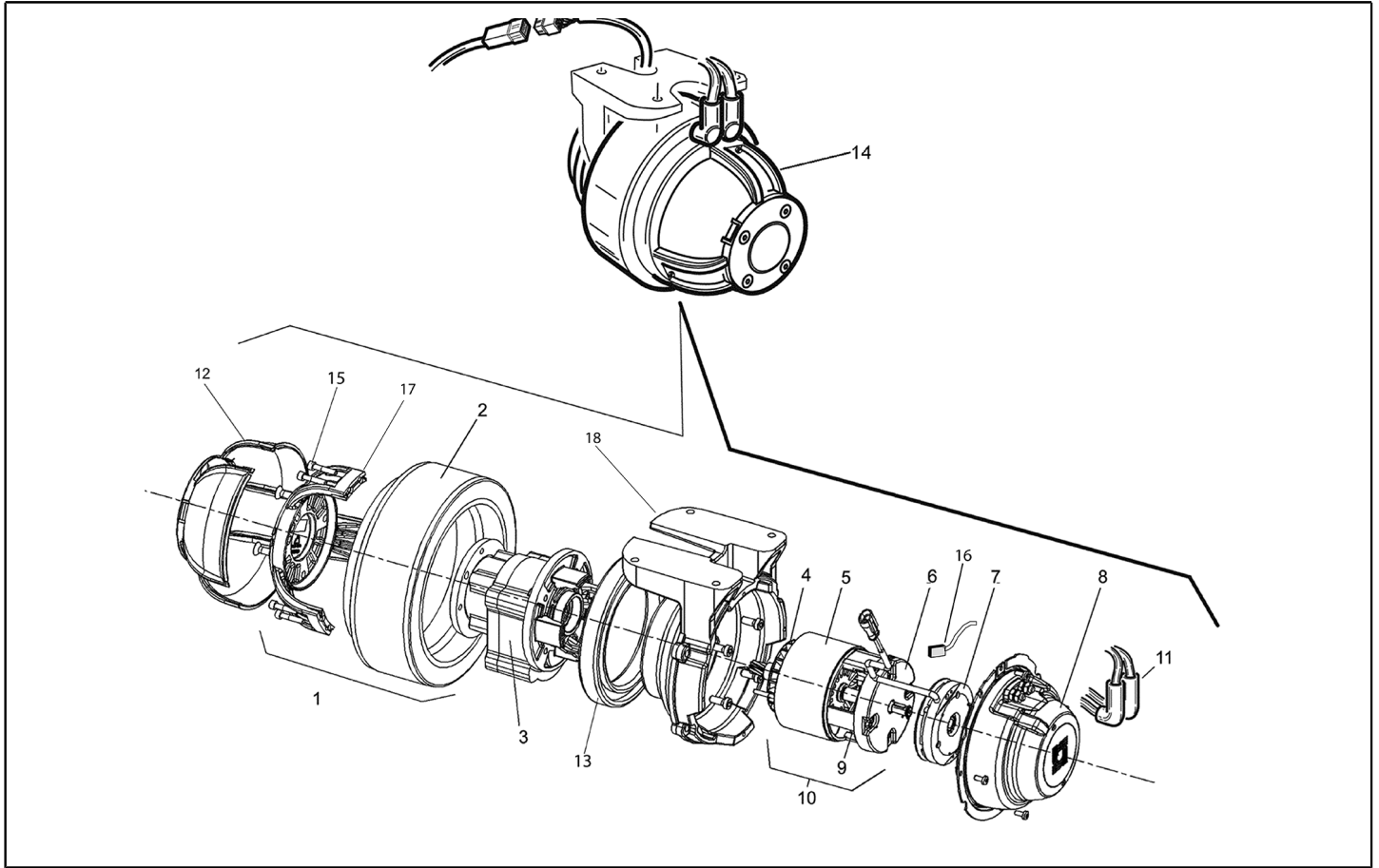


Brasil / América do Sul

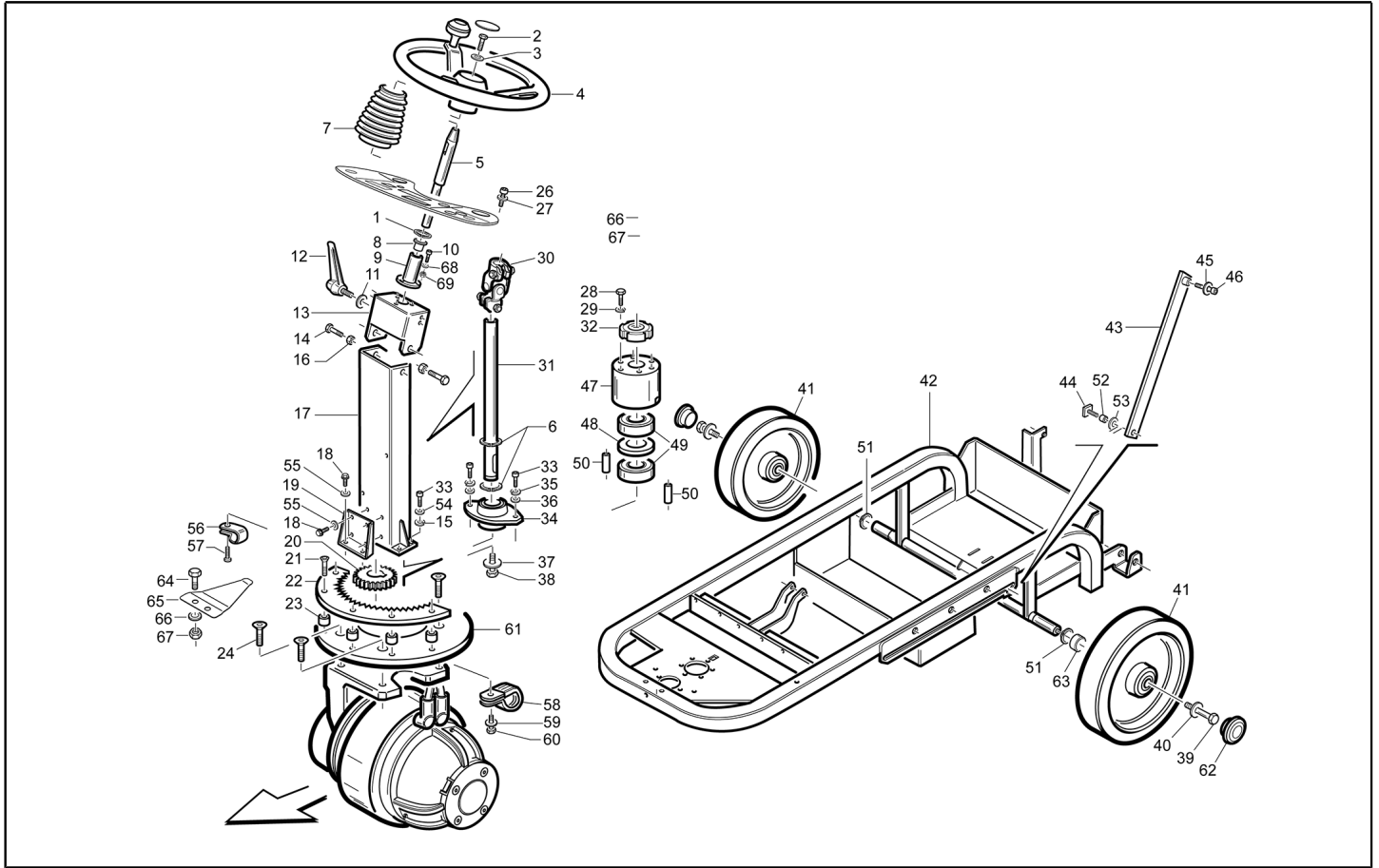
Para os mais recentes manuais de peças e outros manuais de operação, visite:

www.alfatennant.com.br/manuais

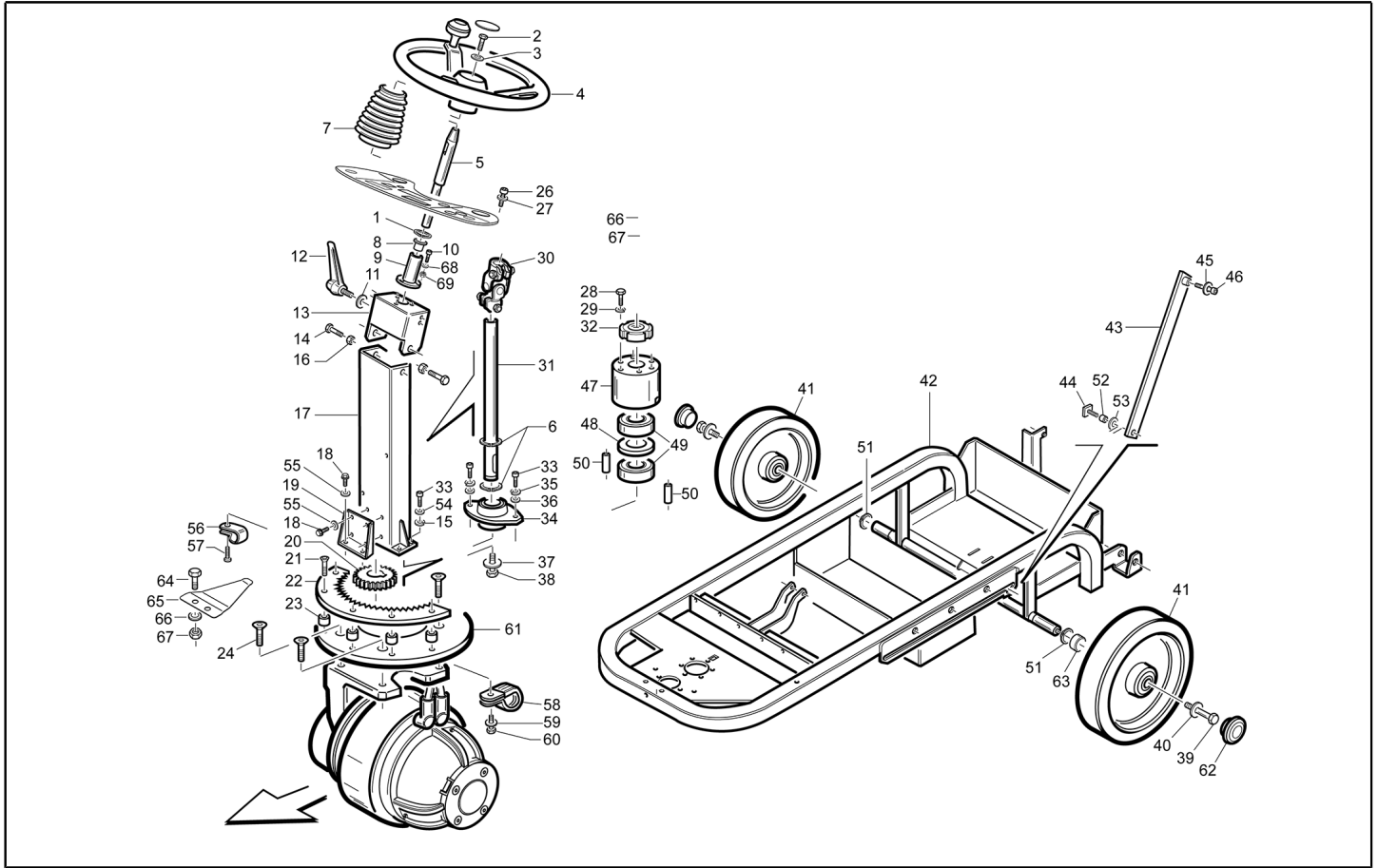
Rev. 00 (02/2021)



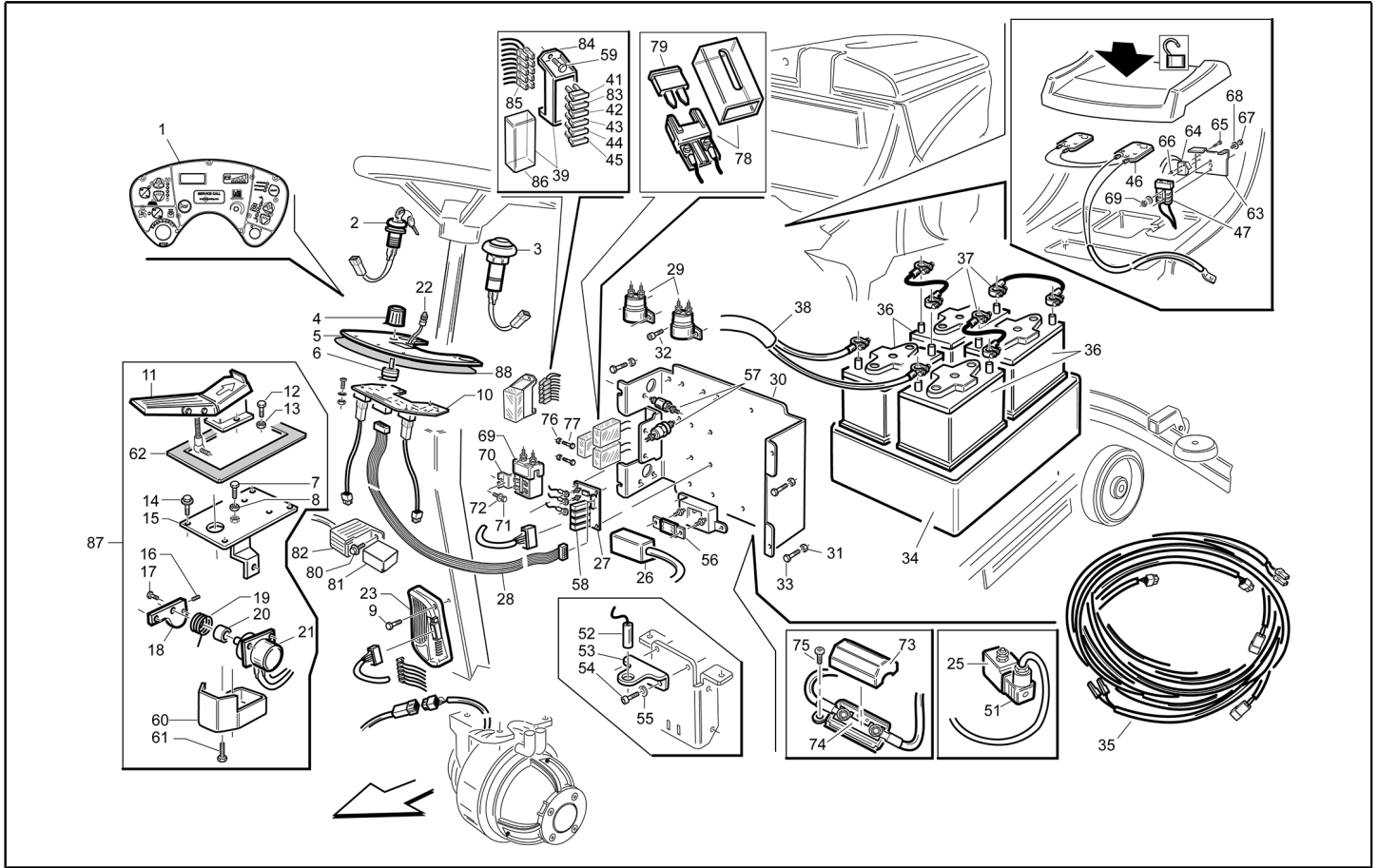
Ref. K	Part N.	Part N. 2	Description	Quantity	Validity		Price
					From	To	
0001	RTRT00533	N/A	RING MOTORWHEEL	1,00			--
0002	RTRT00533	N/A	RING MOTORWHEEL	1,00			--
0003	RDGR00040	N/A	REDUCTION UNIT CT110	1,00			--
0004	KTRI05043	N/A	KIT MOTORWHEEL CT110	1,00			--
0006	MEVR02084	N/A	TOP CT110	1,00			--
0007	MEVR02030	N/A	BRAKE ELECTRIC MOTORWHEEL CT110	1,00			--
0008	MPVR06031	N/A	COWLING MOTORUOTA	1,00			--
0009	MEVR00985	N/A	BRUSH CARBON 10X18	4,00			--
0010	MOCC00399	N/A	MOTOR MP80	1,00			--
0011	MEVR00889	N/A	PIPETTE	2,00			--
0012	MPVR08044	N/A	COVER MOTORWHEEL CT110-160-230	1,00			--
0013	CUVR00194	N/A	BEARING 61926 2RS	1,00			--
0014	KTRI02209	N/A	KIT MOTORWHEEL CT110	1,00			--
0015	VTVT16676	N/A	SCREW M6X60 A2 UNI5931	4,00			--
0016	MEVR02902	N/A	THERMAL PROTECTOR MOTORWHEEL	1,00			--
0017	MFVR00295	N/A	SUPPORT ALUMINIUM PU RING	1,00			--
0018	MFVR00296	N/A	SUPPORT -	1,00			--



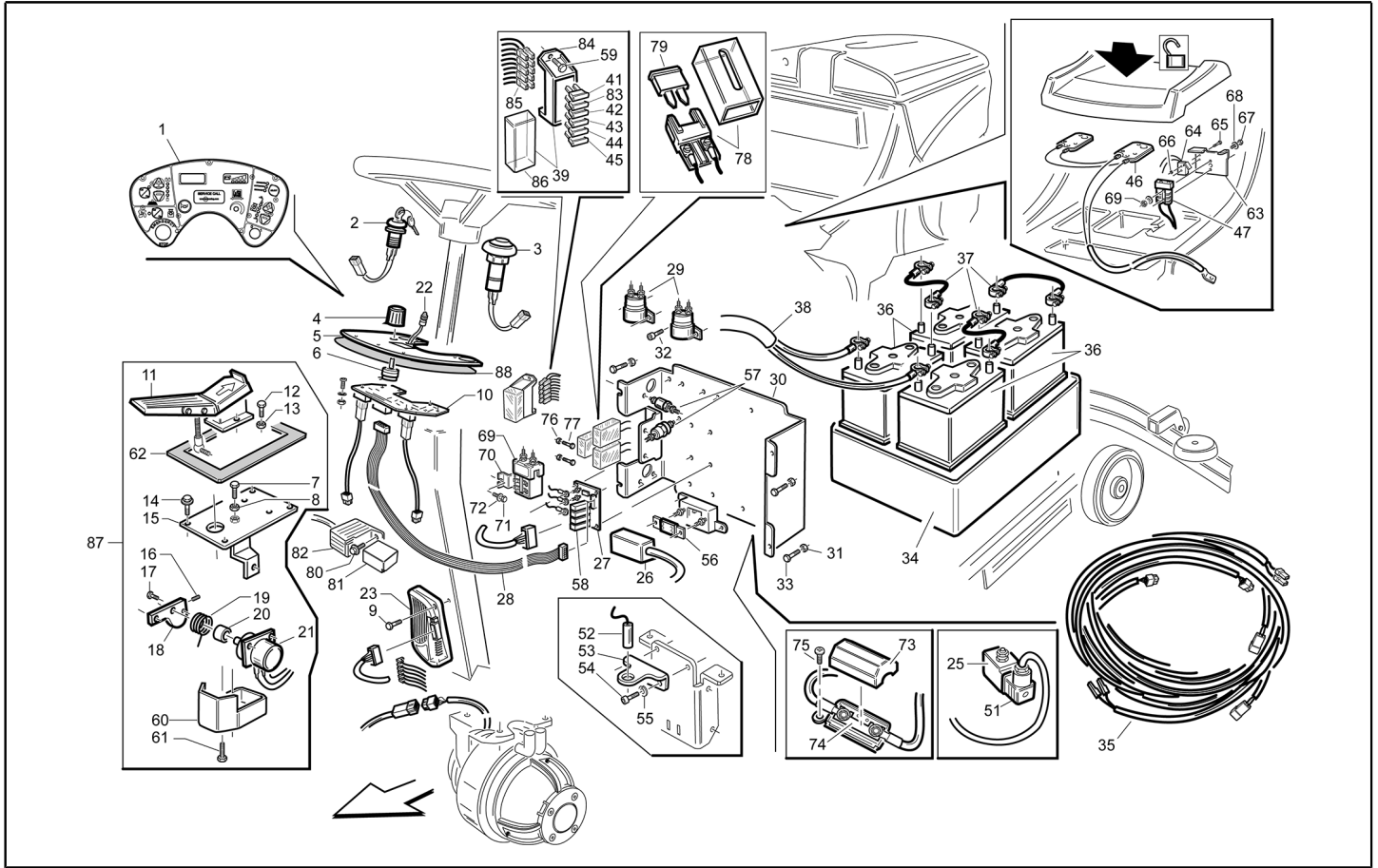
Ref. K	Part N.	Part N. 2	Description	Quantity	Validity		Price
					From	To	
0001	VTAE17003	VTAE17003	RING, RETAINING, 15MMD, OUTER SNAP	2,00			--
0002	VTVT00457	N/A	SCREW TE M 10X30 ZINC. UNI 5739	1,00			--
0003	VTRS44254	897401	WASHER, M10X40X2,5, UNI6593, ZB	1,00			--
0004	MPVR47027	897400	WHEEL, STEERING 320MM	1,00			--
0005	ALTR00031	ALTR00031	SHAFT PER VOLANTE TK 1050 ZINC.	1,00			--
0006	VTAE00032	N/A	SEEGER 20	2,00			--
0007	MPVR05237	N/A	PROTECTOR -	1,00			--
0008	LAFN75841	897398	BUSHING, 15B 24D 17.5	2,00			--
0009	LAFN00149	LAFN00149	BUSHING PORTA PIANTONE TK1050 ZIN	1,00			--
0010	VTVT09913	VTVT09913	SCREW TCCE UNI 5931 6X16 ZB	3,00			--
0011	VTRS13946	897120	WASHER, D.8X24, UNI6593, INOX	1,00			--
0012	MPVR05250	N/A	HANDLE M8X25	1,00			--
0013	KTRI02058	N/A	KIT REGOLAZIONE STERZO CT110	1,00			--
0014	VTVT13936	N/A	SCREW TE M 10X 20	2,00			--
0015	VTRS13947	897152	WASHER, D.8, UNI6592, INOX	4,00			--
0016	VTDD00493	N/A	NUT M10 TEF	2,00			--
0017	LAFN06362	N/A	UP STEERING CT110	1,00			--
0018	VTVT13939	897287	SCREW TE 6X20 UNI5739 INX	6,00			--
0019	LAFN06508	N/A	BRACKET PIANTONE	1,00			--
0020	LAFN06377	897396	SPROCKET, STEERING	1,00			--
0021	VTVT00062	N/A	SCREW TSCE UNI 5933 6X25 ZB	5,00			--
0022	LAFN06373	N/A	BRAKE CT110	1,00			--
0023	LAFN06844	897406	SPACER, RND, 6,5B 12D 10	5,00			--
0024	VTVT00263	N/A	SCREW TSPEI M10x30	4,00			--
0026	VTVT37012	897180	SCREW, M4X10, TCB, TC, INOX	5,00			--
0027	VTRS00515	897156	WASHER D. 4 INX	5,00			--
0028	VTVT00410	897243	SCREW TE M8x35 UNI5739 INOX	5,00			--
0029	VTRS15146	897216	WASHER, D. 8, GRW, UNI1751, INOX	5,00			--
0030	VTVR00057	897397	JOINT, STEERING	1,00			--
0031	LAFN06374	N/A	SHAFT STERZO	1,00			--
0032	VTVR75747	VTVR75747	RING NUT AUTOBLOK M35X1,5 GUK	1,00			--
0033	VTVT13938	897316	SCREW, TE, M8X20, UNI5739, INOX	4,00			--
0034	CUVR00105	897283	SUPPORT	1,00			--
0035	VTRS15146	897216	WASHER, D. 8, GRW, UNI1751, INOX	2,00			--
0036	VTRS13947	897152	WASHER, D.8, UNI6592, INOX	2,00			--
0037	VTRS16937	897305	WASHER, M6X24, UNI6593, INOX	1,00			--
0038	VTVT15143	897128	SCREW TE 6X16 UNI5739	1,00			--
0039	VTVT03640	897393	SCREW, TE, M10X25, UNI5740	2,00			--
0040	LAFN04144	N/A	WASHER RUOTE POSTERIORI	2,00			--
0041	RTRT00539	N/A	WHEEL REAR PU D.300 CT110	2,00			--
0042	LAFN06360	N/A	FRAME CT110	1,00			--
0043	LAFN06427	N/A	LEVER CT110	1,00			--
0044	VTVT15916	897184	SCREW, TE, M8X16, UNI5739, A2	1,00			--
0045	VTRS00502	VTRS00502	WASHER D. 5 0.466 UNI 6592	1,00			--



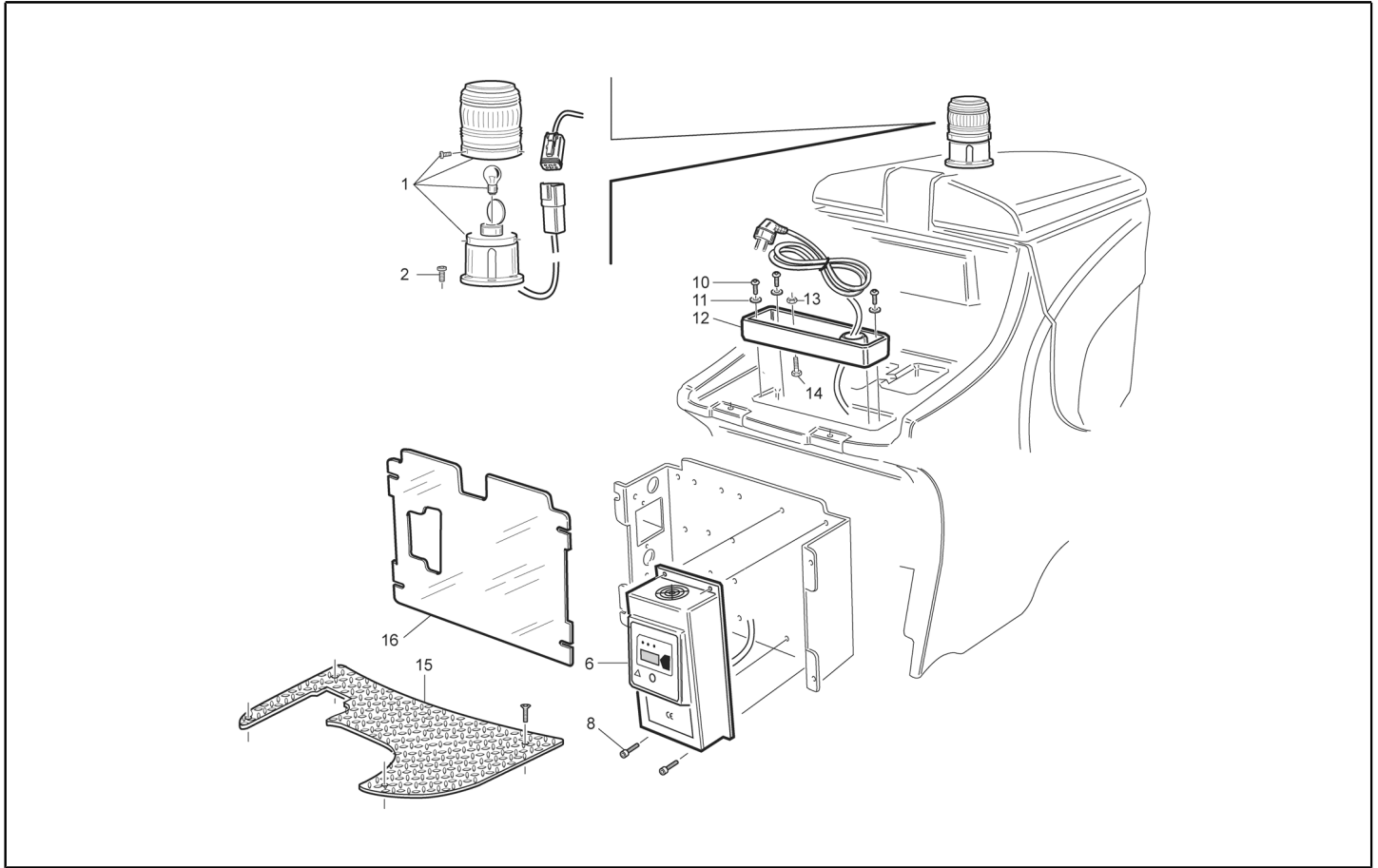
Ref. K	Part N.	Part N. 2	Description	Quantity	Validity		Price
					From	To	
0046	VTVT00005	VTVT00005	SCREW, HEX, M5 X 0.80 X 12	1,00			--
0047	LAFN06522	N/A	PLATE CT110	1,00			--
0048	LAFN06523	N/A	SPACER Ø48 X Ø36,5 X 20	1,00			--
0049	CUVR00120	N/A	BEARING 6007-2RS1	2,00			--
0050	LAFN06387	N/A	BUSHING STERZO	2,00			--
0051	VTAE00018	N/A	SEEGER E25x1,2 DIN471	2,00			--
0052	LAFN75911	LAFN75911	SPACER, D.12 H.7.	1,00			--
0053	VTRS13946	897120	WASHER, D.8X24, UNI6593, INOX	1,00			--
0054	VTRS13947	897152	WASHER, D.8, UNI6592, INOX	4,00			--
0055	VTRS00245	897106	WASHER D.6 UNI 6592 INOX	6,00			--
0056	MPVR02933	897334	DUCT LOCK D.9,5	2,00			--
0057	VTVT37012	897180	SCREW, M4X10, TCB, TC, INOX	2,00			--
0058	FSVR00043	897364	CLAMP, STL, 16D, INSULATED	1,00			--
0059	VTRS15144	897129	WASHER D. 6 INX GRW UNI 1751	1,00			--
0060	VTVT15906	897130	SCREW, TE, M6X12, UNI5739, A2	1,00			--
0061	LAFN06364	N/A	PLATE STERZO	1,00			--
0062	MPVR05951	897417	CAP, WHEEL, PYP	2,00			--
0063	LAFN08995	N/A	ARM PORTARUOTA TERGI P185	2,00			--
0064	VTVT15917	897232	SCREW, TE, M8X50, INOX, A2	1,00			--
0065	LAFN11085	N/A	PROTECTION -	1,00			--
0066	VTRS13947	897152	WASHER, D.8, UNI6592, INOX	1,00			--
0067	VTDD01695	897124	NUT, M8, INOX	1,00			--
0068	VTRS00503	VTRS00503	WASHER, D. 6	3,00			--
0069	VTDD00491	VTDD00491	NUT, M6	3,00			--



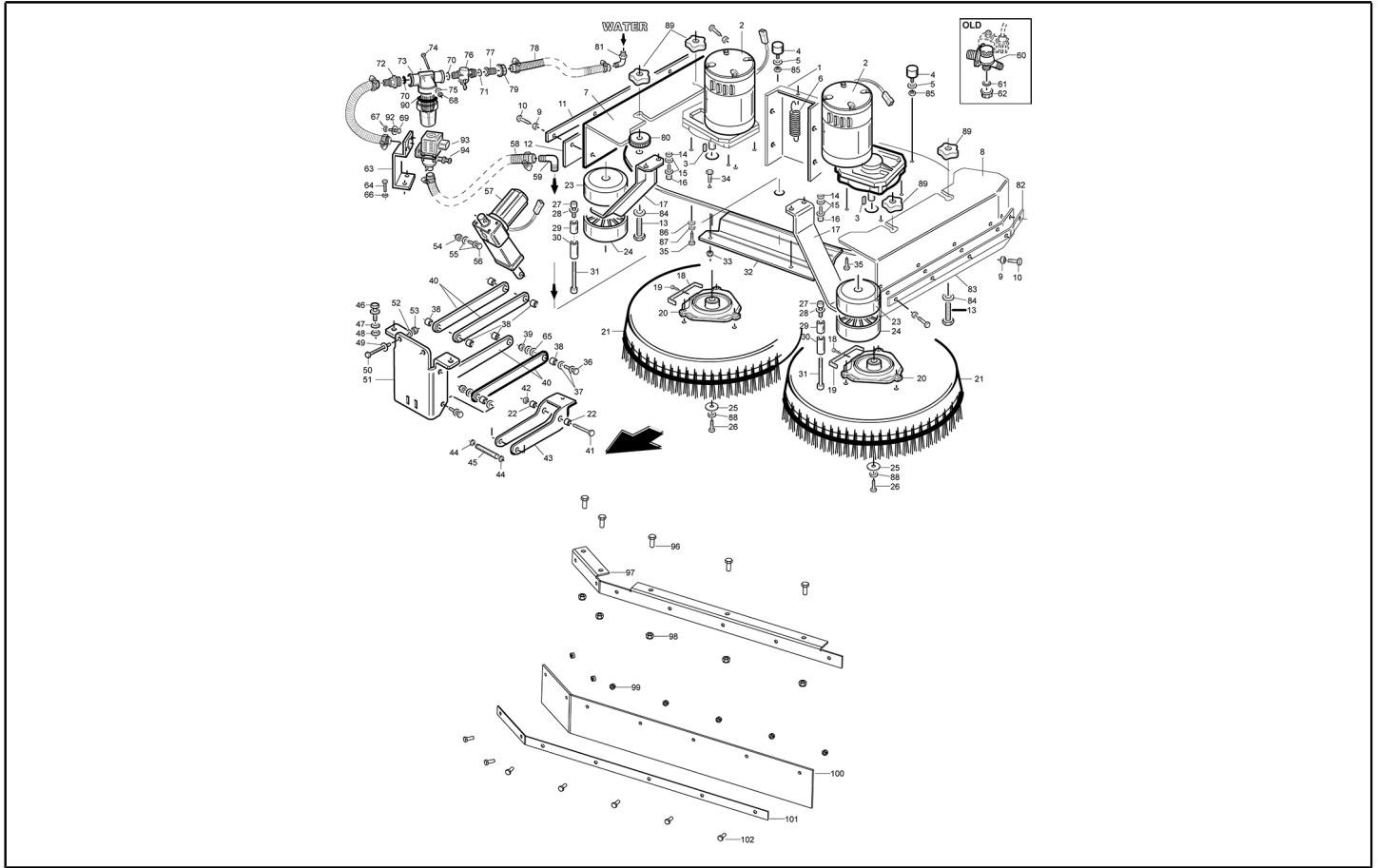
Ref. K	Part N.	Part N. 2	Description	Quantity	Validity		Price
					From	To	
0001	PMVR06655	N/A	BOARD CT110	1,00			--
0002	MECI75805	1017696	KEY SET, REPLMT [F/ KEYSWITCH 1011402]	1,00			--
0002	MEVR00093	N/A	KEY SPARE BATTERY VERSION	1,00			--
0003	MECI00028	MECI00028	SWITCH EMERGENCY 24V - RED	1,00			--
0004	KTRI01935	KTRI01935	KIT 1050-1202	1,00			--
0005	PMVR06655	N/A	BOARD CT110	1,00			--
0006	KTRI05576	KTRI05576	Speed limit potentiometer	1,00			--
0007	VTVT13937	897246	SCREW, TE, M8X30, UNI5739, INOX	1,00			--
0008	VTDD01701	N/A	NUT M8 INOX+ZIN.	1,00			--
0009	VTVT00727	VTVT00727	SCREW TE M. 4-20	2,00			--
0010	MECE00451	N/A	BOARD CONTROL PANEL CT110	1,00			--
0011	LAFN06429	N/A	PEDAL CT110	1,00			--
0012	VTVT15143	897128	SCREW TE 6X16 UNI5739	2,00			--
0013	VTDD15518	897125	NUT, M6, INOX	2,00			--
0014	VTVT00005	VTVT00005	SCREW, HEX, M5 X 0.80 X 12	4,00			--
0015	LAFN06521	N/A	SUPPORT ACCELERATORE	1,00			--
0016	VTVT00911	N/A	GRUB SCREW M4X8	1,00			--
0017	VTVT00727	VTVT00727	SCREW TE M. 4-20	2,00			--
0018	LAFN06371	N/A	CONNECTING ROD POTENZIOMETRO	1,00			--
0019	MLML00327	N/A	SPRING -	1,00			--
0020	MPVR05786	N/A	BUSHING	1,00			--
0021	MEVR01700	N/A	POTENTIOMETER 0-5K	1,00			--
0022	MEVR02058	N/A	LED -	1,00			--
0023	MECE00450	N/A	BOARD TRACTION CURTIS CT110	1,00			--
0025	MEEV00044	N/A	SOLENOID VALVE	1,00			--
0026	MEVR00146	MEVR00146	FUSE-HOLDER MEGA	1,00			--
0027	MECE00575	N/A	BOARD ACTUATORS/SLS CT110	1,00			--
0028	MECB01099	N/A	CABLE FLAT	1,00			--
0029	METT45116	METT45116	Remote Control Switch	2,00			--
0030	LAFN06503	N/A	PLATE ELETTRONICA	1,00			--
0032	VTVT00005	VTVT00005	SCREW, HEX, M5 X 0.80 X 12	8,00			--
0033	VTVT00005	VTVT00005	SCREW, HEX, M5 X 0.80 X 12	4,00			--
0034	MPVR05217	N/A	CONTAINER BATTERIA	1,00			--
0035	MECB02046	N/A	WIRING CT110	1,00			--
0036	BAAC00177	BAAC00177	Gel Battery 6V 180 Ah	4,00			--
0037	MEVR34820	897205	WIRING BATTERY BRIDGE W/TERMINAL	3,00			--
0038	MECB01015	N/A	WIRING CT110	1,00			--
0039	KTRI02222	N/A	KIT CT110	1,00			--
0041	MEVR01428	MEVR01428	FUSE 2A	1,00			--
0042	MEVR00327	897648	FUSE, 25A	1,00			--
0043	MEVR00584	MEVR00584	FUSE 3A	1,00			--
0044	MEVR00584	MEVR00584	FUSE 3A	1,00			--
0045	MEVR00584	MEVR00584	FUSE 3A	1,00			--
0046	MEVR00148	897445	SWITCH, SENSOR, SEAT	1,00			--



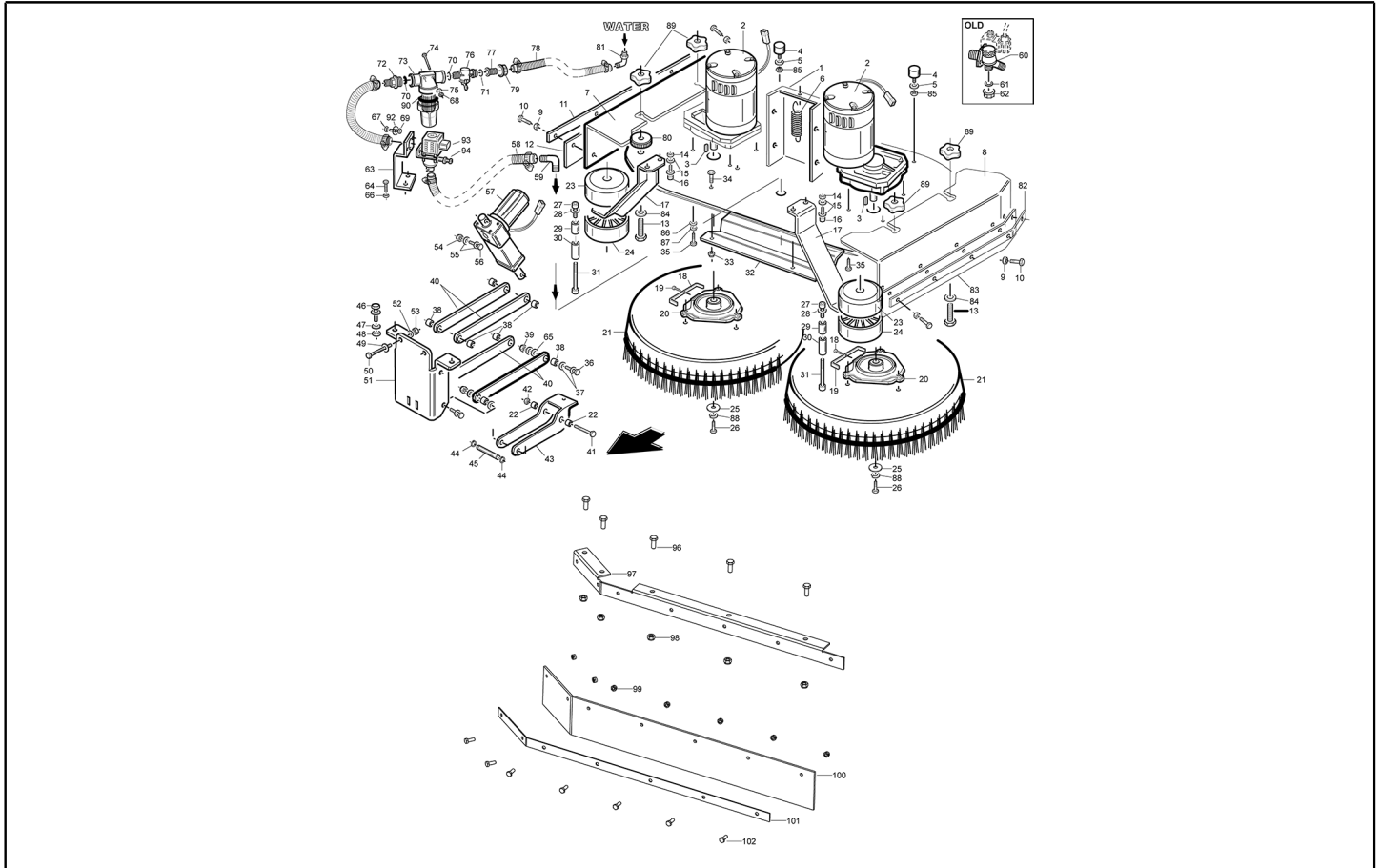
Ref. K	Part N.	Part N. 2	Description	Quantity	Validity		Price
					From	To	
0047	MEVR01079	897298	PLUG M CB50 A 600V RD.	1,00			--
0051	MECB01015	N/A	WIRING CT110	1,00			--
0052	MECI00535	N/A	SENSOR -	1,00			--
0053	LAFN06386	N/A	SUPPORT -	1,00			--
0054	VTVT15143	897128	SCREW TE 6X16 UNI5739	2,00			--
0055	VTRS15144	897129	WASHER D. 6 INX GRW UNI 1751	2,00			--
0056	MEVR00145	MEVR00145	MEGA fuse 100 Amp	1,00			--
0057	MEVR47082	MEVR47082	INSULATOR MM35 M6 CH 32	1,00			--
0058	MECE00456	MECE00456	RELAY CT110	4,00			--
0059	VTVT00005	VTVT00005	SCREW, HEX, M5 X 0.80 X 12	2,00			--
0060	MPVR05235	N/A	COVER -	1,00			--
0061	VTVT00005	VTVT00005	SCREW, HEX, M5 X 0.80 X 12	2,00			--
0062	GUVR00292	N/A	GASKET CT110	1,00			--
0063	LAFN07362	N/A	PLATE ANDERSON	1,00			--
0064	MECI00334	897199	MICROSWITCH CHARGING PLUG	1,00			--
0065	VTVT00671	897201	SCREW, TC, M.2X16, BRASS	2,00			--
0066	VTDD08634	897198	NUT, M2	2,00			--
0067	VTVT01350	VTVT01350	SCREW M3-20 INOX	2,00			--
0068	VTRS21116	897193	WASHER, D. 3, INOX	2,00			--
0069	MECI00532	MECI00532	Front main contactor	1,00			--
0070	LAFN07743	N/A	BRACKET -	1,00			--
0071	VTVT01669	VTVT01669	SCREW M4x6 UNI5739 znt cl.4.8	2,00			--
0072	VTRS00501	VTRS00501	WASHER D. 4 0.232 UNI 6592	2,00			--
0073	MEVR31036	897512	FUSE, HOLDER	1,00			--
0074	MEVR02042	N/A	FUSE 30A NST.	1,00			--
0075	VTVT00079	N/A	SCREW AUTOF.TC UNI6954 3,9X22	1,00			--
0076	VTDD01693	VTDD01693	NUT, M5, INOX	2,00			--
0077	VTVT01300	897459	SCREW, M5X12, TE, INOX	2,00			--
0078	MEVR00613	MEVR00613	FUSE CARRIER MAXIVAL with cover	3,00			--
0079	MEVR00644	MEVR00644	FUSE, 030A	3,00			--
0081	MECE00456	MECE00456	RELAY CT110	1,00			--
0082	MEVR02888	N/A	BASE TE V23333-Z1001-B045	1,00			--
0083	MEVR00344	N/A	FUSE 4A	1,00			--
0084	MEVR01387	MEVR01387	BOX FUSE	1,00			--
0085	MPVR06118	N/A	PIN FUSE HOLDER	1,00			--
0086	MEVR01383	N/A	COVER PVC TRASP.	1,00			--
0087	KTRIO1585	N/A	KIT ACCELERATOR PEDAL CT110	1,00			--
0088	GUVR00286	N/A	GASKET CT110	1,00			--
0089	MEVR00644	MEVR00644	FUSE, 030A	3,00			--



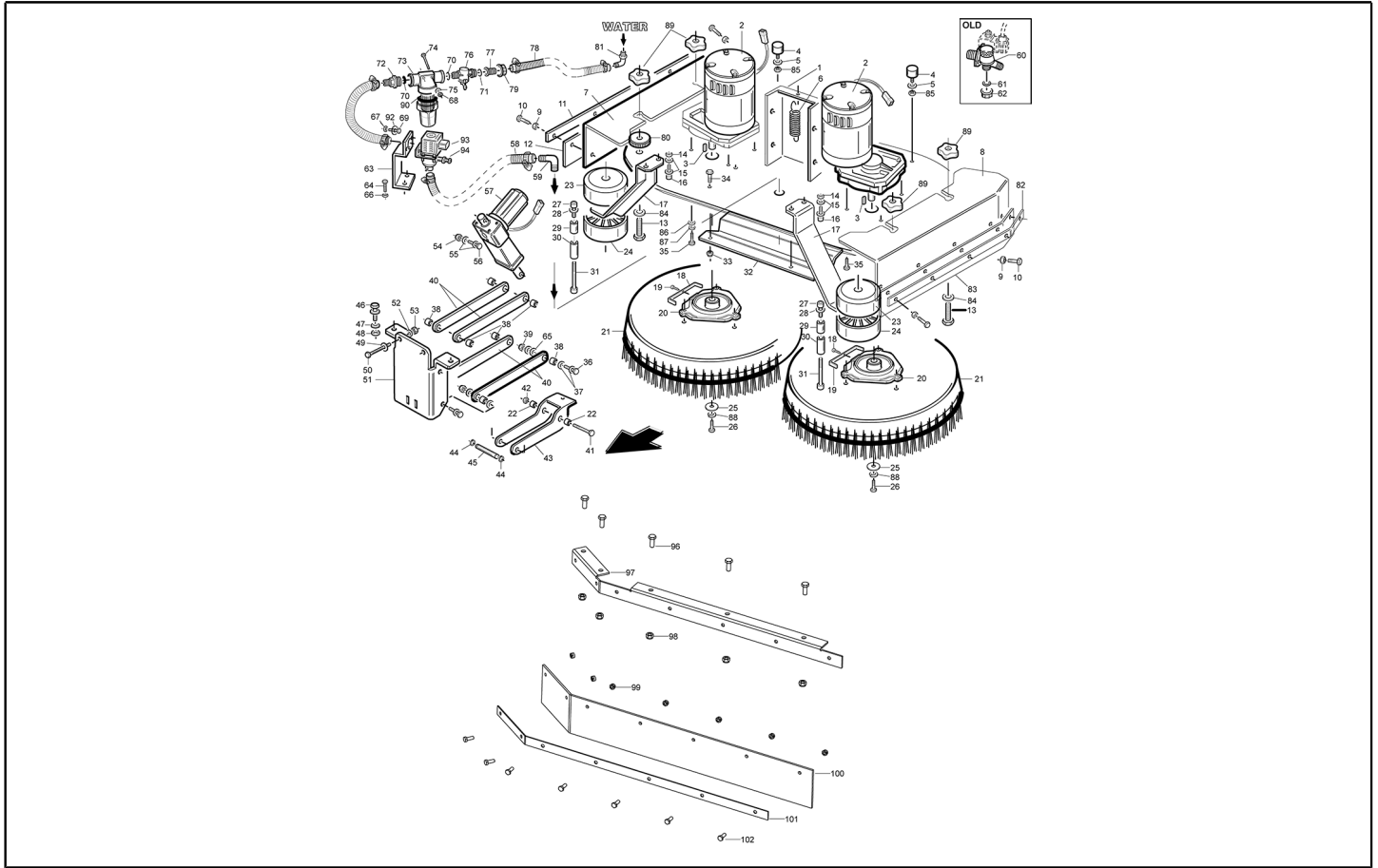
Ref. K	Part N.	Part N. 2	Description	Quantity	Validity		Price
					From	To	
0001	MEVR00935	MEVR00935	FLASHING LIGHT G1050	1,00			--
0002	VTVT35376	N/A	SCREW TCB-TC 3.5X25	3,00			--
0006	BACA00158	N/A	BATTERY-CHARGER CBHD3 24V 25A EU	1,00			--
0008	VTVT01300	897459	SCREW, M5X12, TE, INOX	3,00			--
0010	VTVT07852	N/A	SCREW TCB-TC 4,8X16 BRN	4,00			--
0011	VTRS00516	897166	WASHER, D. 5, INOX	4,00			--
0012	MPVR05213	N/A	CONTAINER -	1,00			--
0015	LAFN07414	N/A	PLANE CT110	1,00			--
0016	MPVR06433	N/A	PROTECTION -	1,00			--



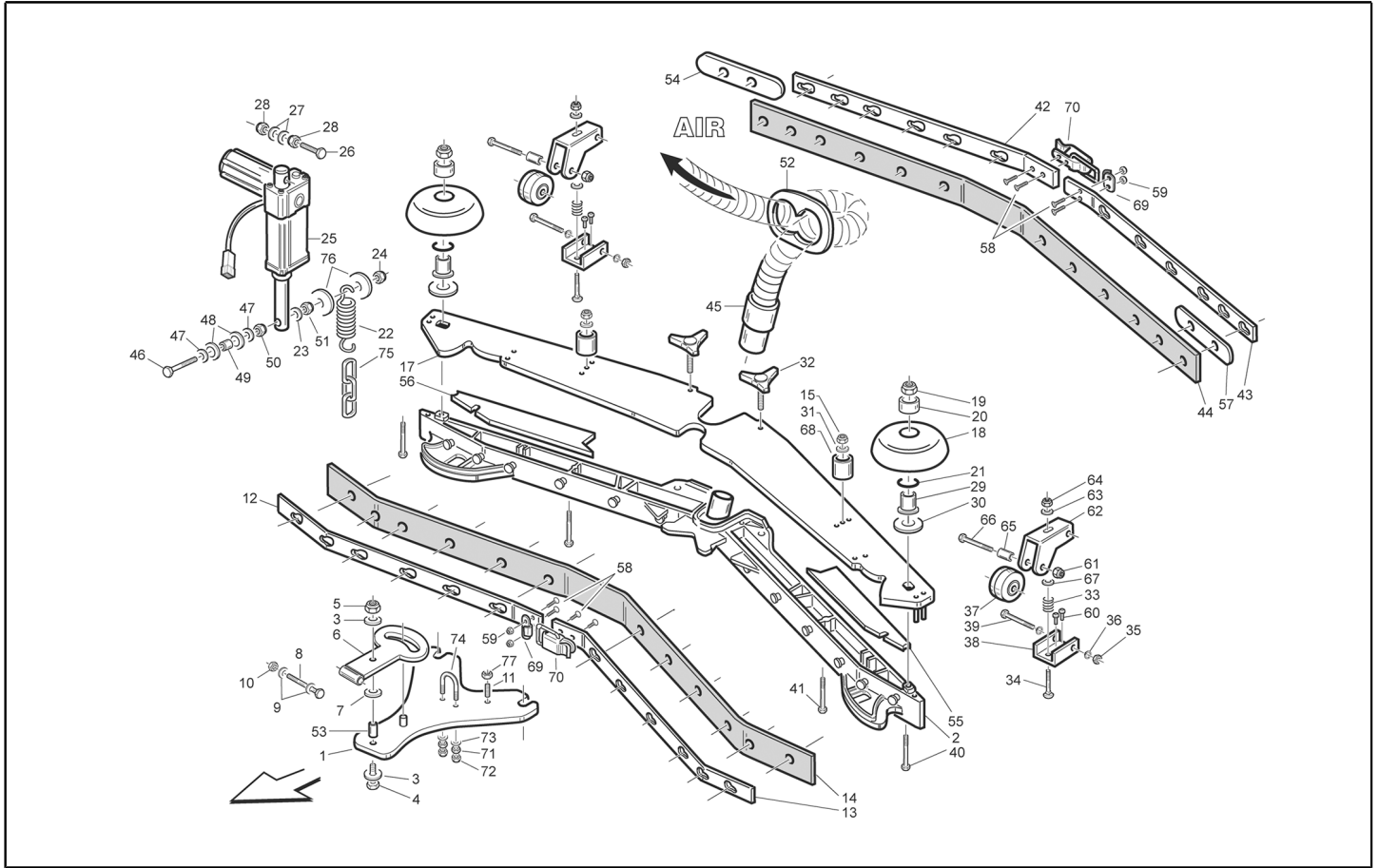
Ref. K	Part N.	Part N. 2	Description	Quantity	Validity		Price
					From	To	
0001	LAFN11038	N/A	PLATE -	1,00			--
0002	MOCC00330	N/A	MOTOR -	2,00			--
0002	MOCC00344	9017686	VR, BRUSH KIT, MOTOR, BRUSH [4 PC]	8,00			--
0003	VTVR16617	VTVR16617	WEDGE 6X 6X30 UNI 6604	2,00			--
0004	ABGO00019	N/A	VIBRATION DAMP. 40x30 M8x2845 SH	2,00			--
0005	VTRS15146	897216	WASHER, D. 8, GRW, UNI1751, INOX	2,00			--
0006	MLML00241	N/A	SPRING BRUSH PRES. CT110-160-230	1,00			--
0007	LAFN07047	N/A	FLANGE -	1,00			--
0008	LAFN07049	N/A	FLANGE -	1,00			--
0009	VTDD01694	897138	NUT M6 INOX	10,00			--
0010	VTVT15143	897128	SCREW TE 6X16 UNI5739	10,00			--
0011	LAFN07082	N/A	FLANGE -	1,00			--
0012	MPVR05168	N/A	FLAP RH SIDE SKIRT BT85	1,00			--
0013	VTVT01167	N/A	SCREW TCB T 5X30	4,00			--
0015	VTRS15146	897216	WASHER, D. 8, GRW, UNI1751, INOX	4,00			--
0016	VTVT13938	897316	SCREW, TE, M8X20, UNI5739, INOX	4,00			--
0017	LAFN06502	N/A	SUPPORT SIDE BUMPER WHEEL BT85	2,00			--
0018	VTVT21887	897313	SCREW, TCB, TC, M4X10	2,00			--
0019	MLML00328	897314	SPRING RETAINING, BRUSH DRIVER	2,00		24/11/2020	--
0019	MLML00350	N/A	SPRING ALUM. CONICAL DRIVER	2,00	25/11/2020		--
0020	LAFN09199	N/A	DRIVE DISK -	2,00		24/11/2020	--
0020	MFVR00327	N/A	CONE -	2,00	25/11/2020		--
0021	SPPV01516	N/A	BRUSH APC D. 410 PP 0,65	2,00		25/11/2020	--
0021	SPPV02648	N/A	BRUSH APC D. 410 PP 0,65	2,00	26/11/2020		--
0022	LAFN04187	N/A	SPACER PER RIDUTTORE	2,00			--
0023	RTRT00510	N/A	WHEEL BUMPER RAL7040	2,00			--
0024	RTRT00510	N/A	WHEEL BUMPER RAL7040	2,00			--
0025	VTRS13946	897120	WASHER, D.8X24, UNI6593, INOX	2,00			--
0026	VTVT13938	897316	SCREW, TE, M8X20, UNI5739, INOX	2,00			--
0027	VTVT01118	VTVT01118	SCREW TCEI M 8X16 ZC. UNI 5931	2,00			--
0028	VTRS13947	897152	WASHER, D.8, UNI6592, INOX	2,00			--
0029	LAFN06472	N/A	PIN RUOTA	2,00			--
0030	LAFN11995	N/A	SPACER LOLY 700	2,00			--
0031	VTVT09650	N/A	SCREW TCEI 8X50 UNI5931	2,00			--
0032	MPVR11548	N/A	CONVEYOR 820	1,00			--
0033	VTDD01694	897138	NUT M6 INOX	4,00			--
0034	VTVT15143	897128	SCREW TE 6X16 UNI5739	4,00			--
0035	VTVT15143	897128	SCREW TE 6X16 UNI5739	8,00			--
0036	VTVT13937	897246	SCREW, TE, M8X30, UNI5739, INOX	4,00			--
0037	VTRS13947	897152	WASHER, D.8, UNI6592, INOX	16,00			--
0038	CUVR00130	N/A	BEARING STRISCIAmento	8,00			--
0039	VTDD15521	897229	NUT, M8, UNI5888, INOX, A2	4,00			--
0040	LAFN11145	N/A	LEVER HEAD CT110	4,00			--
0041	VTVT01684	N/A	SCREW TE 6X45	2,00			--



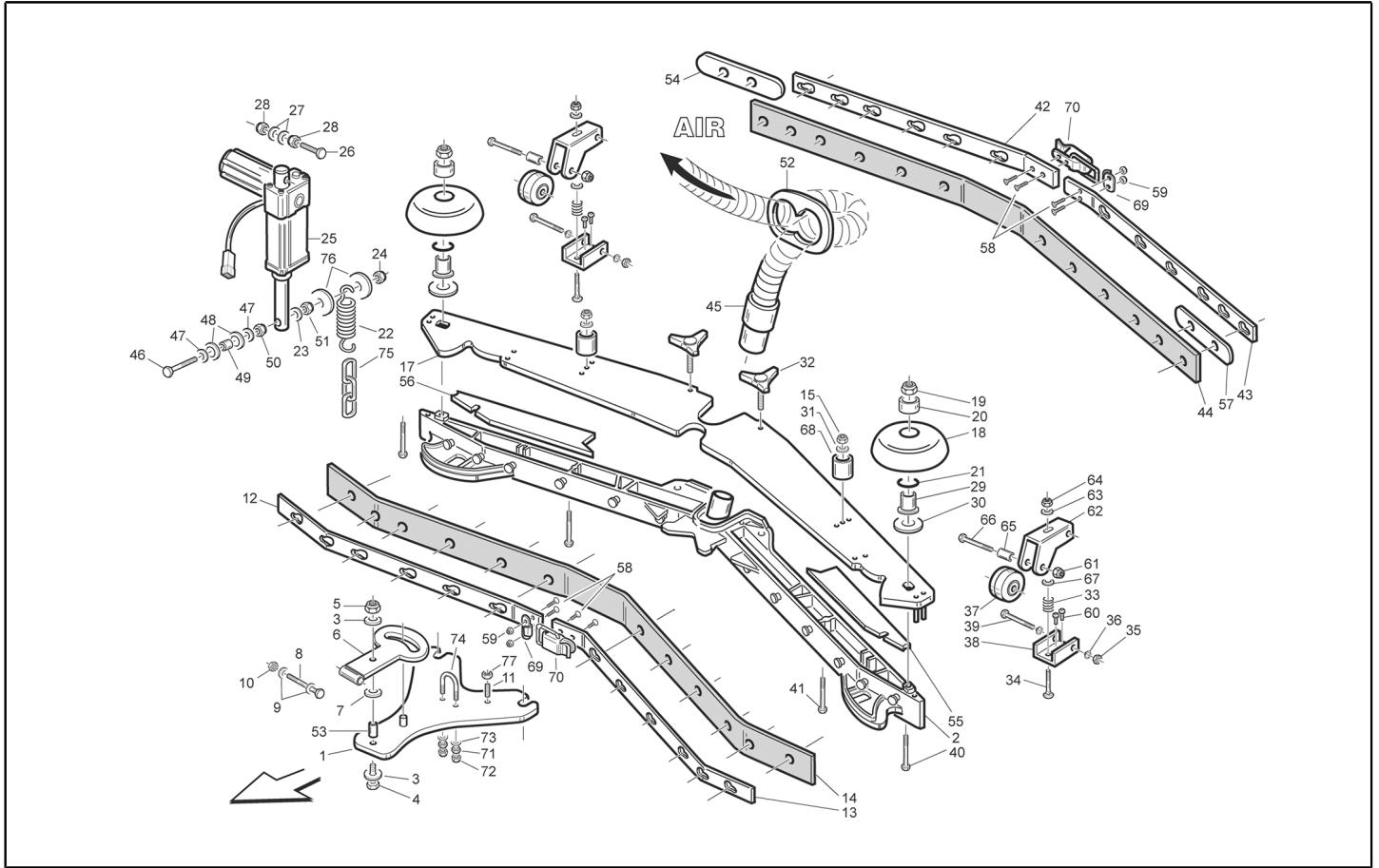
Ref. K	Part N.	Part N. 2	Description	Quantity	Validity		Price
					From	To	
0042	VTDD15518	897125	NUT, M6, INOX	1,00			--
0043	LAFN07636	N/A	ARM -	1,00			--
0044	VTAE13511	N/A	CIRCLIP D. 10 UNI 7435	2,00			--
0045	LAFN51065	N/A	PIN INFER.ATTUAT.TEST.	1,00			--
0046	VTVT13937	897246	SCREW, TE, M8X30, UNI5739, INOX	2,00			--
0047	VTRS13947	897152	WASHER, D.8, UNI6592, INOX	8,00			--
0048	VTDD01696	N/A	NUT M 8 INX	4,00			--
0049	VTRS13947	897152	WASHER, D.8, UNI6592, INOX	8,00			--
0050	VTVT13937	897246	SCREW, TE, M8X30, UNI5739, INOX	2,00			--
0051	LAFN06383	N/A	ARM TESTATA	1,00			--
0052	VTRS13947	897152	WASHER, D.8, UNI6592, INOX	2,00			--
0053	VTDD01694	897138	NUT M6 INOX	2,00			--
0054	VTDD15521	897229	NUT, M8, UNI5588, INOX, A2	1,00			--
0055	VTRS13946	897120	WASHER, D.8X24, UNI6593, INOX	2,00			--
0056	VTVT00410	897243	SCREW TE M8x35 UNI5739 INOX	1,00			--
0057	MOCC00323	N/A	ACTUATOR BRUSH HEAD CT110	1,00			--
0058	TBFX48011	897256	TUBE FLEX D.12X3 ARMORV.PVC TR	0,18			--
0059	RCVR45752	N/A	HOSE FITTING "L" 3/8M - D.10 PLS.	1,00			--
0063	LAFN05835	N/A	BRACKET PORTAELETTROVALVOLA	1,00			--
0064	VTVT15906	897130	SCREW, TE, M6X12, UNI5739, A2	1,00			--
0065	VTRS13946	897120	WASHER, D.8X24, UNI6593, INOX	2,00			--
0066	VTDD15518	897125	NUT, M6, INOX	1,00			--
0067	VTDD15925	897160	NUT, M4, INOX, ZN	2,00			--
0068	VTDD01694	897138	NUT M6 INOX	2,00			--
0069	VTVT00817	897453	SCREW TE M4x12 UNI 5739 INOX	2,00			--
0070	GUGO36290	N/A	O-RING D. 17.04 X 3.53 NBR 70SH	2,00			--
0071	GUGO00427	N/A	GASKET -	1,00			--
0072	RCVR00540	N/A	CONNECTOR	1,00			--
0073	FTAC00038	N/A	FILTER SOLUTION TANK G1/2	1,00			--
0074	VTVT00699	N/A	SCREW TE M. 6-70	2,00			--
0075	VTRS13945	897112	WASHER D. 6X18 INX UNI 6593	2,00			--
0076	RCGR00078	9018454	WATER, VALVE, SOLTN	1,00			--
0077	RCVR00744	N/A	CONNECTOR -	1,00			--
0078	TBFX48011	897256	TUBE FLEX D.12X3 ARMORV.PVC TR	0,45			--
0079	MPVR05240	N/A	RING NUT G1/2	1,00			--
0080	MPVR05312	N/A	ROD M12	4,00			--
0081	RCVR00109	N/A	CURVE 90°	1,00			--
0082	LAFN07083	N/A	FLANGE -	1,00			--
0083	MPVR05169	N/A	FLAP SX TESTATA 820	1,00			--
0084	VTRS15978	897215	WASHER, D.12X24, UNI6592, INOX	2,00			--
0085	VTDD15521	897229	NUT, M8, UNI5588, INOX, A2	2,00			--
0086	VTRS13945	897112	WASHER D. 6X18 INX UNI 6593	2,00			--
0087	VTRS15144	897129	WASHER D. 6 INX GRW UNI 1751	8,00			--
0088	VTRS15146	897216	WASHER, D. 8, GRW, UNI1751, INOX	2,00			--



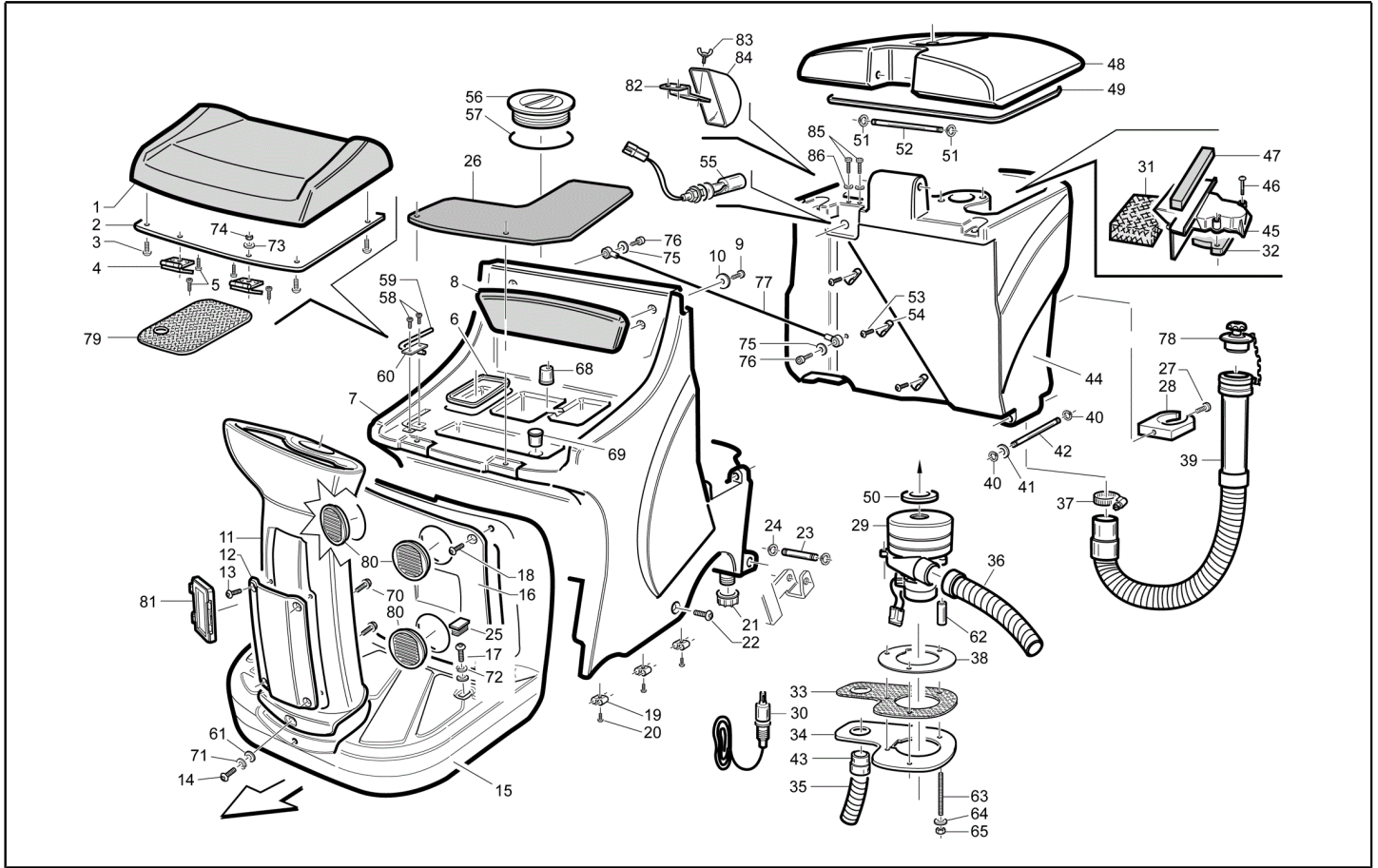
Ref. K	Part N.	Part N. 2	Description	Quantity	Validity		Price
					From	To	
0089	MPVR05461	N/A	KNOB -	4,00			--
0090	GUVR00311	N/A	GASKET FTAC00038	1,00			--
0093	MEEV00044	N/A	SOLENOID VALVE	1,00			--
0094	MEEV00044	N/A	SOLENOID VALVE	1,00			--
0095	LAFN08907	897526	BUSHING, SLEEVE, 8B 12D 15L	8,00			--
0096	VTVT13938	897316	SCREW, TE, M8X20, UNI5739, INOX	5,00			--
0097	LAFN07548	N/A	BRACKET -	1,00			--
0098	VTDD01701	N/A	NUT M8 INOX+ZIN.	5,00			--
0099	VTDD01700	897105	NUT M6 INOX+ZIN.	7,00			--
0100	MPVR05648	N/A	FLAP -	1,00			--
0101	LAFN07190	N/A	BRACKET -	1,00			--
0102	VTVT15143	897128	SCREW TE 6X16 UNI5739	7,00			--



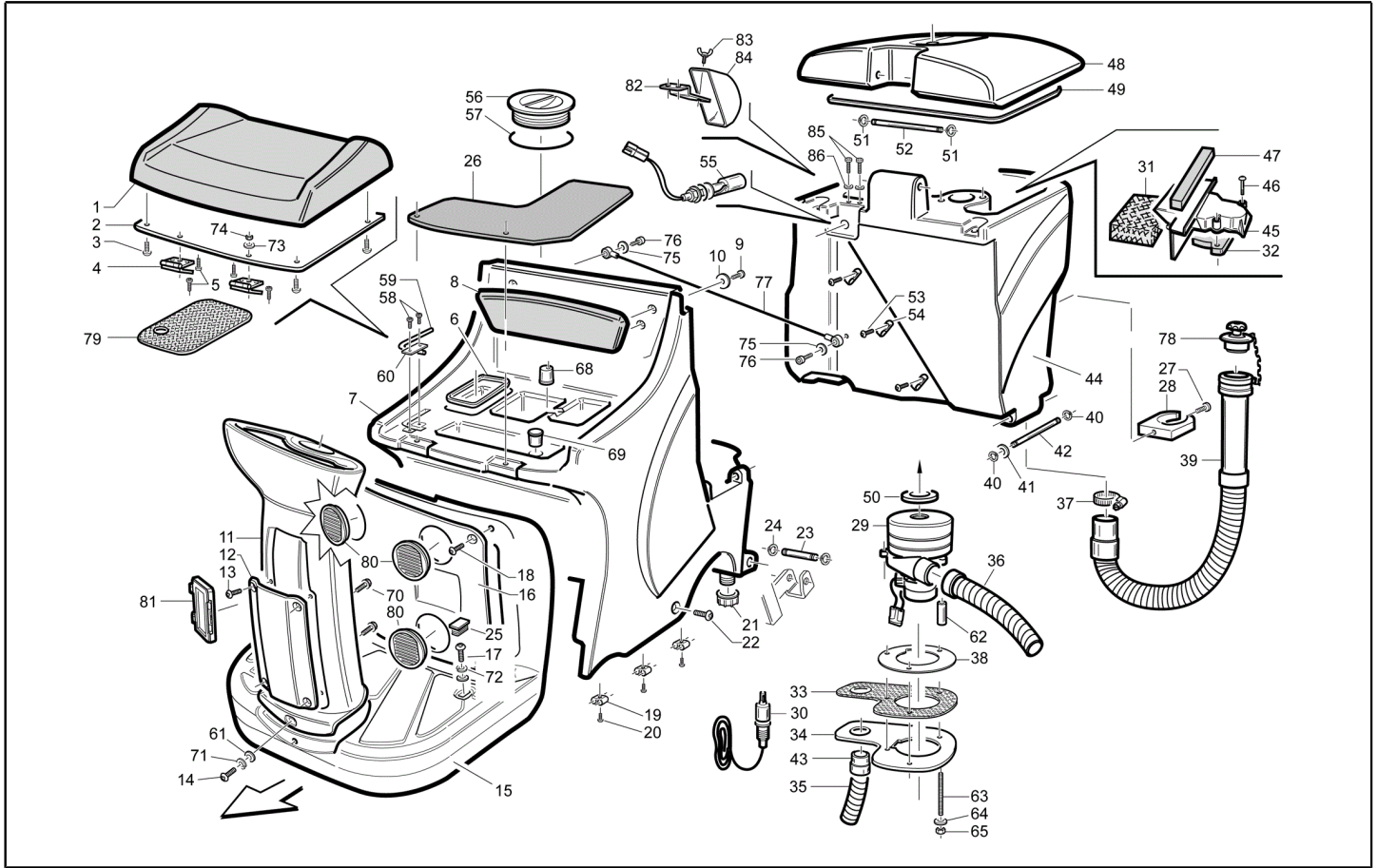
Ref. K	Part N.	Part N. 2	Description	Quantity	Validity		Price
					From	To	
0001	LAFN09241	N/A	PLATE -	1,00			--
0002	KTRI02050	N/A	BODY SQUEEGEE PRESSOFUSO "XL"	1,00			--
0003	VTRS13946	897120	WASHER, D.8X24, UNI6593, INOX	1,00			--
0004	VTVT00410	897243	SCREW TE M8x35 UNI5739 INOX	1,00			--
0005	VTDD01701	N/A	NUT M8 INOX+ZIN.	1,00			--
0006	LAFN09010	N/A	SUPPORT -	1,00			--
0007	VTRS15978	897215	WASHER, D.12X24, UNI6592, INOX	1,00			--
0008	VTVT00757	897535	SCREW	1,00			--
0009	VTRS13947	897152	WASHER, D.8, UNI6592, INOX	2,00			--
0010	VTDD01701	N/A	NUT M8 INOX+ZIN.	1,00			--
0011	VTVT01145	N/A		1,00			--
0012	LAFN09288	N/A	BLADE HOLDER FRONT RIGHT XL	1,00			--
0013	LAFN09289	N/A	BLADE HOLDER FRONT LEFT XL	1,00			--
0014	MPVR08041	N/A	BLADE XL LATEX	1,00			--
0015	VTDD01694	897138	NUT M6 INOX	4,00			--
0017	LAFN11267	N/A	PLATE SQUEEGEE XL	1,00			--
0018	MPVR05290	897101	WHEEL, BMPR, 98,5d X 21,5W	2,00			--
0019	VTDD01694	897138	NUT M6 INOX	2,00			--
0020	MPVR49229	897100	SLEEVE, NYLON, 0,314b 0,72d 0,35l	2,00			--
0021	GUGO00164	897102	O-RING, 13.00 Od X 10.00 Id	2,00			--
0022	MLML00342	N/A	SPRING -	1,00			--
0023	VTRS15144	897129	WASHER D. 6 INX GRW UNI 1751	2,00			--
0024	VTDD01694	897138	NUT M6 INOX	2,00			--
0025	MOCC00322	N/A	ACTUATOR SQUEEGEE CT110	1,00			--
0026	VTVT15917	897232	SCREW, TE, M8X50, INOX, A2	1,00			--
0027	VTRS13947	897152	WASHER, D.8, UNI6592, INOX	2,00			--
0028	VTDD01701	N/A	NUT M8 INOX+ZIN.	2,00			--
0029	LAFN04100	897103	SPACER, 6.00b 12.00d 16.5l, CPR	2,00			--
0030	VTRS16937	897305	WASHER, M6X24, UNI6593, INOX	2,00			--
0031	VTRS00245	897106	WASHER D.6 UNI 6592 INOX	2,00			--
0032	MPVR10569	9018577	KNOB, SQGE, 3EAR	2,00			--
0033	MLML49422	N/A	SPRING D.15X 45 X1	2,00			--
0034	VTVT01304	N/A	SCREW M 8X 40 TTQST UNI 5731	2,00			--
0035	VTDD01694	897138	NUT M6 INOX	2,00			--
0036	VTAE45707	N/A	SEEGER RADIALE TIPO H UNI7434 D6	4,00			--
0037	RTRT00540	N/A	WHEEL D.8X32	2,00			--
0038	LAFN51069	N/A	BRACKET SUPP.RUOTINO SQUEEGEE	2,00			--
0039	VTVT15515	897115	SCREW, M6X55, SS	2,00			--
0040	VTVT00841	897114	SCREW, M6X65, SS	2,00			--
0041	VTVT00841	897114	SCREW, M6X65, SS	2,00			--
0042	LAFN09290	N/A	BLADE HOLDER REAR RIGHT XL	1,00			--
0043	LAFN09291	N/A	BLADE HOLDER REAR LEFT XL	1,00			--
0044	MPVR08037	N/A	BLADE XL LATEX	1,00			--
0045	KTRI04699	N/A	KIT REPLACEMENT TBBP00402	1,00			--



Ref. K	Part N.	Part N. 2	Description	Quantity	Validity		Price
					From	To	
0046	VTVT17342	897421	SCREW TE M6X60 UNI5739 INOX	1,00			--
0047	VTRS07728	N/A	WASHER D. 6 INX	3,00			--
0048	VTRS13947	897152	WASHER, D.8, UNI6592, INOX	2,00			--
0049	LAFN03840	897231	BUSHING	1,00			--
0050	VTDD15518	897125	NUT, M6, INOX	1,00			--
0051	VTDD15518	897125	NUT, M6, INOX	1,00			--
0052	MPVR04659	N/A	FLANGE	1,00			--
0053	LAFN35608	N/A	SPACER S. BLOCK BT 530	1,00			--
0054	MPVR05898	897307	CLOSURE L	1,00			--
0055	GUVR00304	N/A	GASKET -	1,00			--
0056	GUVR00305	N/A	GASKET -	1,00			--
0057	MPVR05898	897307	CLOSURE L	1,00			--
0058	VTVT01070	9018497	BOLT, STRAP, SQGE	8,00			--
0059	VTDD00210	9018496	NUT M 3 AUTOBL.DIN 985 IX.A2	8,00			--
0060	VTVR01040	N/A	RIVET -	4,00			--
0061	VTDD01694	897138	NUT M6 INOX	2,00			--
0062	LAFN05559	N/A	SUPPORT RUOTINO	2,00			--
0063	VTRS13947	897152	WASHER, D.8, UNI6592, INOX	2,00			--
0064	VTDD01701	N/A	NUT M8 INOX+ZIN.	2,00			--
0065	TBBP00124	N/A	TUBE D 8/6	0,02			--
0066	VTVT15515	897115	SCREW, M6X55, SS	2,00			--
0067	VTRS13947	897152	WASHER, D.8, UNI6592, INOX	2,00			--
0068	MPVR06016	N/A	BRACKET -	2,00			--
0069	LAFN09301	9018495	HOOK, STRAP, SQGE	2,00			--
0070	LAFN09302	9018492	LATCH, STRAP, SQGE	2,00			--
0071	VTDD15520	897405	NUT M 6 A2 UNI 5588 INX	2,00			--
0072	VTDD01694	897138	NUT M6 INOX	2,00			--
0073	VTRS00245	897106	WASHER D.6 UNI 6592 INOX	2,00			--
0074	LAFN09231	897251	BRACKET, M6X11X29	1,00			--
0075	MTCR00029	MTCR00029	SMALL CHAIN	0,07			--
0076	VTRS13945	897112	WASHER D. 6X18 INX UNI 6593	2,00			--
0077	VTDD15521	897229	NUT, M8, UNI5588, INOX, A2	1,00			--



Ref. K	Part N.	Part N. 2	Description	Quantity	Validity		Price
					From	To	
0001	SESD00021	897444	SEAT [2180SR]	1,00			--
0002	LAFN06430	N/A	PLATE CT110	1,00			--
0003	VTVT15143	897128	SCREW TE 6X16 UNI5739	4,00			--
0004	CEVR00060	N/A	HINGE PORTA SEDILE P185	2,00			--
0005	VTVT01317	897658	SCREW M 5X 12 TSPEI UNI 5933	4,00			--
0006	GUVR00284	N/A	GASKET CT110	1,00			--
0007	MPVR05692	N/A	TANK CT110	1,00			--
0008	SESD00020	N/A	BACKREST CLEANTIME	1,00			--
0009	VTVT00433	N/A	SCREW TE M 6X 30 UNI 5739 INX	2,00			--
0010	VTRS13945	897112	WASHER D. 6X18 INX UNI 6593	4,00			--
0011	MPVR12814	N/A	SIDE PANEL CT110	1,00			--
0012	MPVR05205	N/A	COVER SCHEDE POTENZA	1,00			--
0013	VTVT00005	VTVT00005	SCREW, HEX, M5 X 0.80 X 12	4,00			--
0014	VTVT15142	897450	SCREW TE M 6x45 INOX	1,00			--
0015	MPVR05691	N/A	PLANE CT110	1,00			--
0016	MPVR05206	N/A	COVER PANNELLO ELETTRONICA	1,00			--
0017	VTVT00433	N/A	SCREW TE M 6X 30 UNI 5739 INX	2,00			--
0018	VTVT00005	VTVT00005	SCREW, HEX, M5 X 0.80 X 12	4,00			--
0019	FSVR00243	N/A	BASE CABLE TIE, PLASTIC	3,00			--
0020	VTVT37012	897180	SCREW, M4X10, TCB, TC, INOX	3,00			--
0021	MPVR10773	9017802	CAP KIT, DRAIN PLUG W/GASKET	1,00			--
0022	VTVT00005	VTVT00005	SCREW, HEX, M5 X 0.80 X 12	1,00			--
0023	LAFN06433	N/A	PIN ROTAZIONE	2,00			--
0024	VTAE06761	N/A	CIRCLIP D. 18 UNI 7435	4,00			--
0025	MPVR05314	N/A	CAP STR35X25	2,00			--
0026	MPVR05315	N/A	ROD CT110	1,00			--
0027	VTVT15924	897359	SCREW, TCTC, M4X16, ACCIAIO, INOX	1,00			--
0028	MPVR05252	N/A	CLIP D.60	1,00			--
0029	MEVR05200	9017687	VR, BRUSH, MOTOR, VACFAN	1,00			--
0029	MOCC00273	N/A	MOTOR VACUUM 3ST 24V	1,00			--
0030	MECI00533	9017790	SENSOR, LEVEL, LIQ	1,00			--
0031	FTDP00133	9017713	FILTER, VACUUM	1,00			--
0032	GUGO00417	897158	GASKET SCATOLA ASPIRAZIONE	1,00			--
0033	MPVR05103	897143	SOUND, PROOFING ASPIRATORE	1,00			--
0034	LAFN06363	897133	FLANGE ASPIRATORE	1,00			--
0035	TBFX00244	N/A	TUBE D 34 L200MM	1,00			--
0036	TBFX00244	N/A	TUBE D 34 L200MM	1,00			--
0037	FSVR00033	897448	CLAMP, HOSE, WORMDRIVE, 45 - 60D	1,00			--
0038	MPVR04724	897136	FLANGE, NYLON	1,00			--
0039	TBFX00362	N/A	TUBE PU	1,00			--
0040	VTAE14096	VTAE14096	SEEGER EXTERNAL DIN 471 D.8	2,00			--
0041	VTRS13947	897152	WASHER, D.8, UNI6592, INOX	1,00			--
0042	LAFN06434	N/A	PIN ROTAZIONE	1,00			--
0043	MPVR31077	N/A	BUSHING L.450	1,00			--



Ref. K	Part N.	Part N. 2	Description	Quantity	Validity		Price
					From	To	
0044	MPVR12812	N/A	TANK CT110	1,00			--
0045	MPVR05482	897159	BOX	1,00			--
0046	VTVT01325	N/A	SCREW TCEI 5X35 INOX UNI5931	2,00			--
0047	GUGO00418	897161	GASKET CONDOTTO ASPIRAZIONE	1,00		03/08/2020	--
0048	MPVR12813	N/A	COVER CT110	1,00			--
0049	GUVR00272	N/A	GASKET CT110	1,00			--
0050	GUGO00272	9017714	GASKET, MOTOR, VACUUM	1,00			--
0051	VTVR00536	N/A	SEEGER 8	2,00			--
0052	LAFN06509	N/A	PIN ROTAZIONE	1,00			--
0053	VTVT37012	897180	SCREW, M4X10, TCB, TC, INOX	3,00			--
0054	MPVR02933	897334	DUCT LOCK D.9,5	3,00			--
0055	MECI00516	9017737	FLOAT, SHUTOFF	1,00			--
0058	VTVT00849	N/A	SCREW M 4X 10 TSPEI INX U.5933	2,00			--
0059	LAFN06431	N/A	ROD CT110	1,00			--
0060	LAFN06432	N/A	PLATE CT110	1,00			--
0061	VTRS13945	897112	WASHER D. 6X18 INX UNI 6593	1,00			--
0062	LAFN51077	N/A	SPACER PH	3,00			--
0063	VTVT00785	N/A	ROD FILETTO	3,00			--
0064	VTRS13945	897112	WASHER D. 6X18 INX UNI 6593	3,00			--
0065	VTDD15518	897125	NUT, M6, INOX	3,00			--
0068	MPVR05273	N/A	CAP CT110	1,00			--
0069	MPVR07079	N/A	CAP D.55	1,00			--
0070	VTVT62920	VTVT62920	SCREW, HEX, M6 X 1.00 X 16, SS	4,00			--
0071	VTRS15144	897129	WASHER D. 6 INX GRW UNI 1751	1,00			--
0072	VTRS15144	897129	WASHER D. 6 INX GRW UNI 1751	2,00			--
0073	VTRS00502	VTRS00502	WASHER D. 5 0.466 UNI 6592	2,00			--
0074	VTDD15517	VTDD15517	NUT M 5 INX	2,00			--
0075	VTRS13947	897152	WASHER, D.8, UNI6592, INOX	4,00			--
0076	VTVT13938	897316	SCREW, TE, M8X20, UNI5739, INOX	2,00			--
0077	CMCV00427	N/A	CABLE CT 110	1,00			--
0078	MPVR05380	N/A	CAP REC.TANK DRAIN HOSE CT110	1,00			--
0079	GUGO00313	N/A	MOUSSE CT110	1,00			--
0080	LAFN02931	N/A	BRACKET FAN COOLER	2,00			--
0081	MEVR00232	MEVR00232	FUSE, INSPECTION BOX	1,00			--
0082	LAFN07737	N/A	BRACKET -	1,00			--
0083	VTVT01150	897169	SCREW, M4X10	1,00			--
0084	MPVR05596	897168	PROTECTION	1,00			--
0085	VTVT15961	VTVT15961	SCREW, M5X16, TCB, TC, UNI7687	2,00			--
0086	VTRS15908	897644	WASHER D. 5 INX GRW UNI 1751	2,00			--



Rua Barão de Campinas, 715 - Cep.: 01201-902

Campos Elíseos, São Paulo, SP

Tel: (011) 3320-8550

Assist Tec: (011) 3320-8555

SAC: (011) 3320-8552

www.alfatennant.com.br