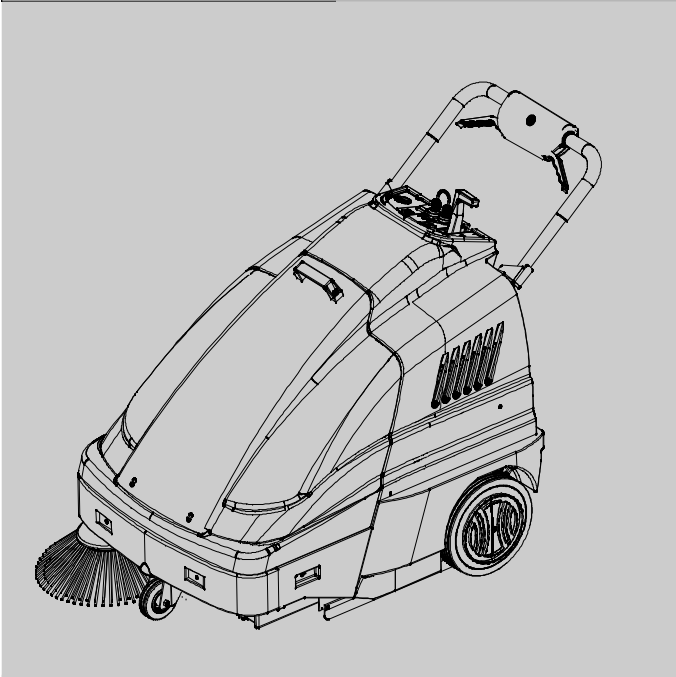




S7

**Battery Powered Automatic
Walk-behind Sweeper**

Parts Manual



Model Part No.:
1251272 - SWEEPER [S7 NA/JP]
1251275 - SWEEPER [S7 EMEA]
1251273 - SWEEPER [S7 EXPORT]

Global



To view, print or download
Tennant manuals, visit:

www.tennantco.com/manuals

9021087
Rev. 02 (07-2022)

Only use TENNANT Company supplied or equivalent parts. Parts and supplies may be ordered online, by phone or from any Tennant Authorized Service Center or Distributor.

Before Ordering any parts or supplies, be sure to have the machine model number and serial number available.

Serial Number/Manufacture Date Label Location



TABLE OF CONTENTS

RECOMMENDED SPARE PARTS LIST ...	3
FRAME AND HOPPER GROUP	4
DRIVE WHEEL AND VACUUM GROUP ...	6
ELECTRICAL COMPONENTS AND FILTRATION GROUP	8
FILTER SHAKER GROUP	10
SIDE BRUSH AND MAIN BRUSH GROUP	12
BATTERY CHARGER GROUP	14
ELECTRICAL DIAGRAM	17

Tennant Company

PO Box 1452
Minneapolis, MN 55440 USA
Phone: (800) 553-8033
www.tennantco.com

Tennant Company N.V.

Industrielaan 6 5405 AB
P.O. Box 6 5400 AA
Uden- The Netherlands
europe@tennantco.com
www.tennantco.com

TENNANT Cleaning Systems & Equipment (Shanghai) Co., Ltd

Building 1, No. 3777 Caoying Road
Qingpu Shanghai, China 201712
Phone: 86 21 6922 5333
Fax: 86 21 69225151
www.tennant.co.cn

TENNANT Company Japan

9F Industry & Trade Center
2 Yamashita- cho, Naka- ku
Yokohama, Kanagawa 231- 0023 Japan
Phone: 81-45-640-5630
Fax: 81-45-640-5604
www.tennant.co.jp

Specifications and parts are subject to change without notice.

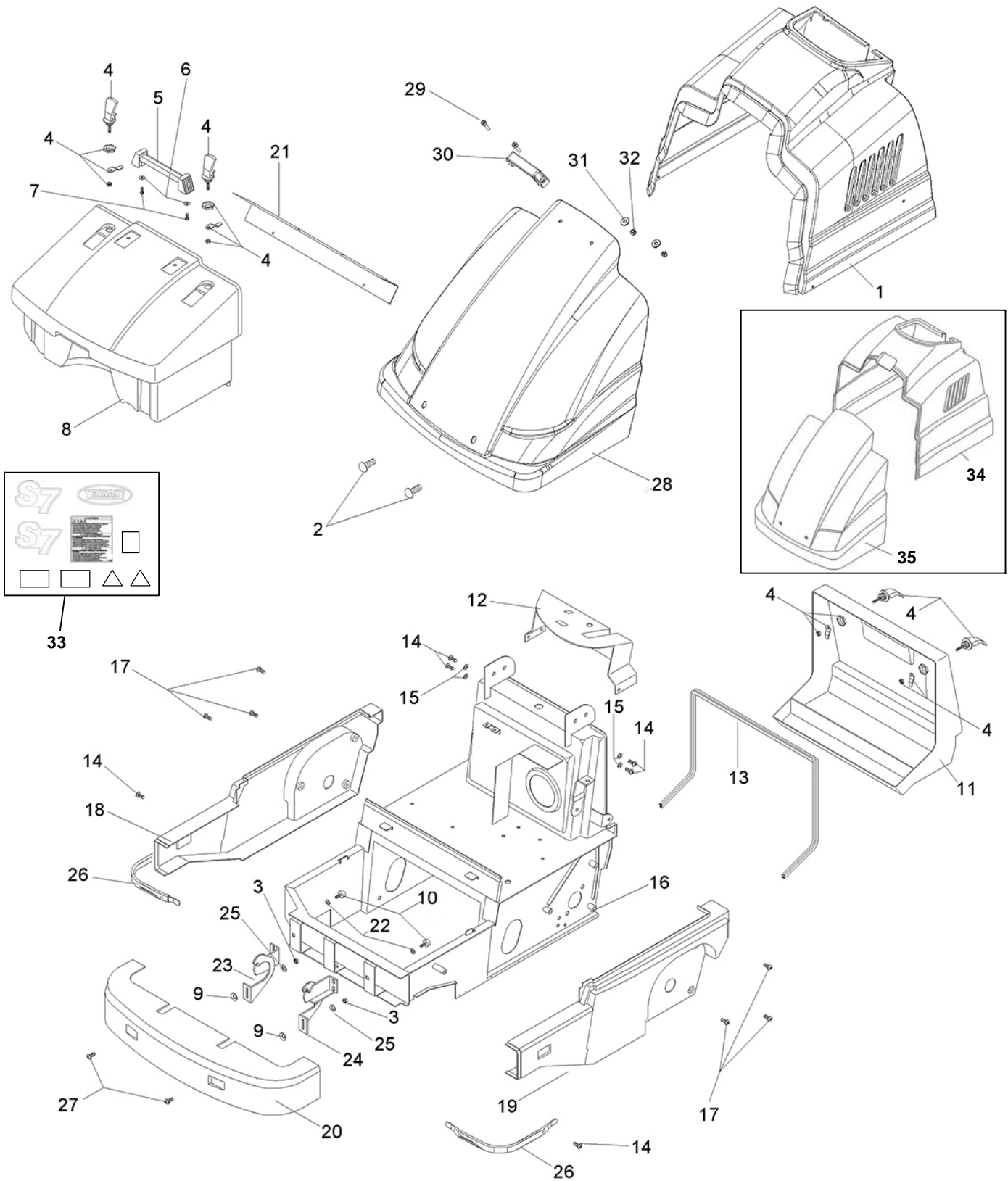
Copyright © 2020 TENNANT Company

RECOMMENDED SPARE PARTS LIST

WEAR PARTS	
PART NO.	DESCRIPTION
PMVR00248	BRUSH KIT, SWP, SIDE, STD
SPPV00051	BRUSH KIT, SWP, MAIN [COMPLETE]
FTDP76065	FILTER, PAPER, MAIN
FTDP00004	FILTER KIT, DUST, PRE-FILTER
MPVR76042	SKIRT KIT, FLAPS (includes *)
MPVR75928	*SKIRT, FLAP, LH, BLK
MPVR75922	*SKIRT, FLAP, RH, BLK
MPVR75927	*SKIRT, FLAP, INNER, GRAY
MPVR85933	*SKIRT, FLAP, BACKSIDE
MPVR87400	SKIRT, FLAP, MAIN FRONT, RBR
MPVR00731	SKIRT, FLAP, FRONT, RBR
1069835	CORD, POWER, CHARGER, 120V [NA]
989584	CORD, POWER, CHARGER, 100V [JP]
1044068	CORD, POWER, CHARGER, 230V [EU]
1026325	CORD, POWER, CHARGER, 240V [AUS]
1044069	CORD, POWER, CHARGER, 230V [UK]

SERVICE PARTS	
PART NO.	DESCRIPTION
1053408	BATTERY, AGM, 12VDC, 140AH/C20 [NA/EXP/JP]
994201	BATTERY, GEL, 12VDC, 105AH/C5 [EU/JP]
BACA00278	CHARGER, BATTERY, CBHD1 12V 10A [S7]
RDGR75782	MOTOR, ELE, GEAR*
MOCC75780	MOTOR, ELE, FAN, 12VDC, 77MMD*
MPVR87013	*CARBON BRUSHES, MOTOR
1017696	KEY SET, REPLMT
MPVR75836	BUSHING, LEVER [BELT TIGHTNER]
LAFN75834	BUSHING, ROCKER
RTRT24661	CASTER, SWIVEL, 100MMD, BLK
CUVR75814	BEARING, NEEDLE [HK 1012]
SFVR00002	BEARING, BALL, 0.34B
LAFN75826	RING, BRUSH, SIDE [TOOTHED]
LAFN75833	BUSHING, BRG
LAFN75838	BUSHING, HEX
RTRT75989	WHEEL, 250D 55W BLK
PMTR00008	WHEEL ASSY, RH, W/ BRG [S7]
PMTR00010	WHEEL ASSY, LEFT, W/ BRG [S7]
CUVR75815	VR, BEARING, FLNG [S7]
CUVR86373	BEARING, BALL [6000 2RS]
VEVR26677	IMPELLER, FAN, 200MMD
MECE75944	CIRCUITBOARD, MAIN
LAFN00188	BUSHING
MPVR00017	SIDE BRUSH LEVER
MOCC00500	MOTOR KIT, SHAKER [S7]
604257	FUSE, 001A, 250V
MTCG13166	BELT, DRIVE
MTCG85335	BELT, SIDE BRUSH, BLUE
KTRI75926	GASKET KIT, FLTR [4 PC]
KTRI86322	GASKET KIT, FRONT CONTAINER [3 PC]
GUGO00285	GASKET, REAR CONTAINER
CUVR71988	BEARING, BELT TENSIONER
CUVR00005	BEARING, BRUSH, MAIN
CUVR86893	BEARING, SIDE BRUSH
CUVR37344	BEARING, NEEDLE, WHEEL
CUVR37341	BEARING, NEEDLE, WHEEL

FRAME AND HOPPER GROUP



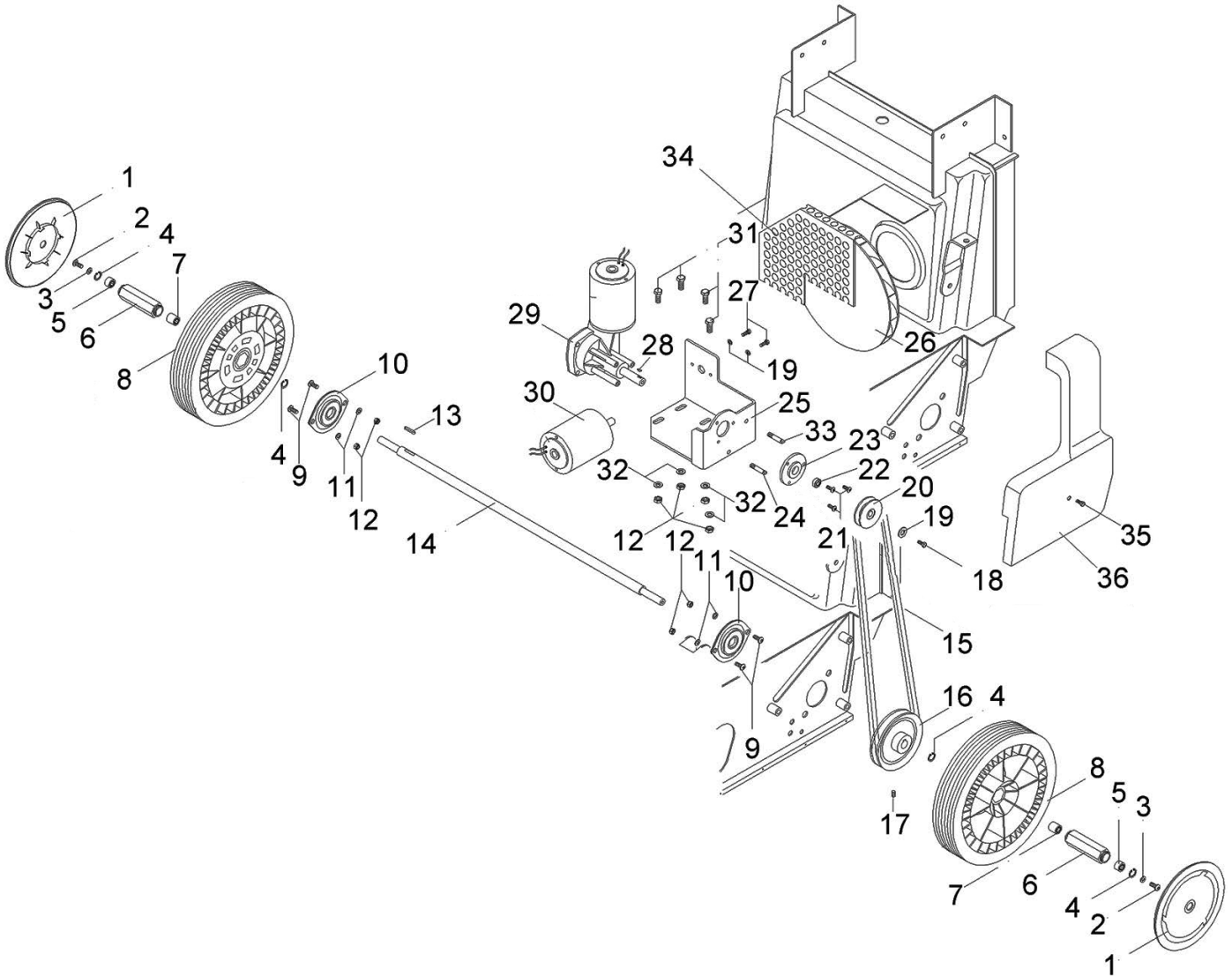
FRAME AND HOPPER GROUP

Ref.	Part No.	Mfr. Date	Description	Qty.	
1	MPVR12709	()	COVER, REAR [S7]	1	
2	PMVR00142	()	SCREW [FIXING]	2	
3	VTDD13261	()	NUT, HEX, M8	2	
4	CHVR26517	()	CAM, CLOSURE [S7]	4	
5	MPVR12849	()	HANDLE, COVER [S7]	1	
6	VTRS63242	()	WASHER, FLAT, 6 X 24	2	
7	VTVT85116	()	SCREW, HEX, M6 X 1.00 X 19, FLNG	2	
8	MPVR00657	()	HOPPER, FRONT	1	
9	LAFN00190	()	BUSHING WITH EXTERNAL CYLINDER	2	
10	MPVR75799	()	FASTENER, BMPR, 20 X 9 / M6 X 18	2	
11	MPVR00398	()	HOPPER, REAR [S7]	1	
12	LAFN11505	()	PANEL, CNTRL [S7]	1	
13	GUGO00285	()	GASKET, REAR CONTAINER	1.50	
14	VTVT87271	()	SCREW, BTN, M8 X 1.25 X 16	6	
15	VTRS76640	()	WASHER, FLAT, 8 X 17	4	
16	LAFN11761	(03/22 -)	FRAME, MACH [S7]	1	
16	LAFN01055	(01/20 - 02/22)	FRAME, MACH [S7]	1	
17	VTVT45395	()	SCREW, HEX, M8 X 1.25 X 10	8	
18	MPVR00625	()	SIDE ROOF HOUSING GRAY GRAIL RH	1	
19	MPVR00624	()	SIDE ROOF HOUSING GRAY GRAIL LH	1	
20	MPVR00626	()	FRONT TRAY GRAY CASING	1	
21	LAFN86615	()	SHEET METAL TK2260430	1	
22	VTDD00482	()	VR, NUT, M6, PL [UNI 5588]	2	
23	PMVR00148	()	HINGE FRONT HINGE 520 DX COMPL	1	
24	PMVR00149	()	FRONT HOOD HINGE 520 SX COMPL	1	
25	LAFN00191	()	BUSHING WITH INTERNAL CYLINDER	2	
26	PMLA00114	()	BUMPER	2	
27	VTVT75724	()	SCREW, HEX, M8 X 1.25 X 22	2	
▽	28	MPVR12711	(03/22 -)	COVER, FRONT [S7]	1
▲	29	897122	(03/22 -)	SCREW, TCEI, M8X30	2
▲	30	MPVR00411	(03/22 -)	HANDLE TRG	1
▲	31	897120	(03/22 -)	WASHER, D.8X24, UNI6593, INOX	2
▲	32	VTDD01701	(03/22 -)	NUT M8 INOX+ZIN.	2
	33	KTRI06136	()	LABEL KIT, MACHINE [S7]	1
	34	MPVR12709	(01/20 - 02/22)	COVER, REAR [S7] (Replaced by item 1)	1
	35	MPVR12711	(01/20 - 02/22)	COVER, FRONT [S7] (Replaced by item 28)	1

▽ KIT

▲ INCLUDED IN KIT

DRIVE WHEEL AND VACUUM GROUP



DRIVE WHEEL AND VACUUM GROUP

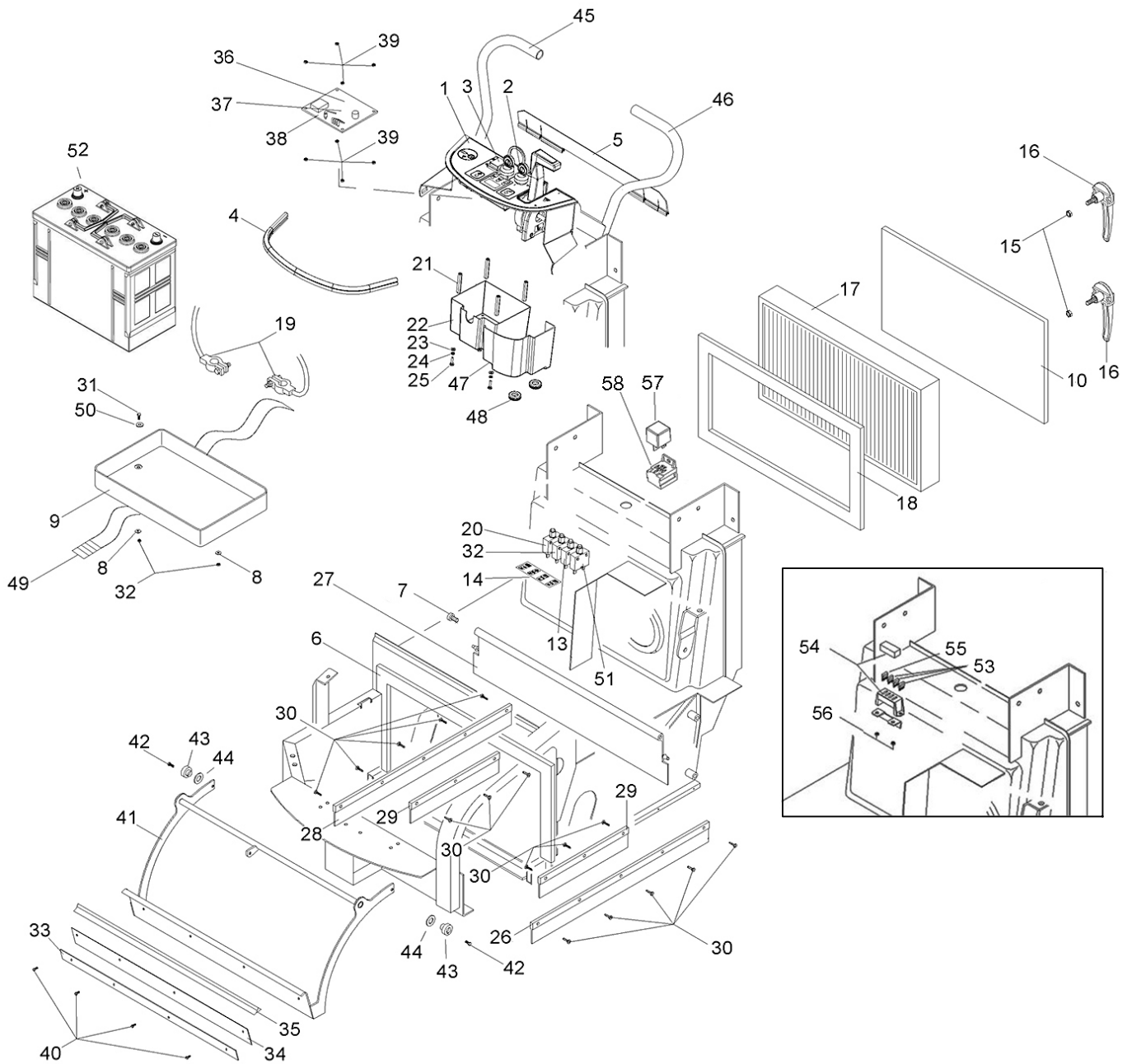
Ref.	Part No.	Mfr. Date	Description	Qty.	
1	MPVR00541	()	COVER, WHEEL, 200.0D	2	
2	VTVT75725	()	SCREW, BTN, M6 X 1.0 X 10	2	
3	VTRS63242	()	WASHER, FLAT, 6 X 24	2	
∇	PMTR00008	()	WHEEL ASSY, RIGHT, W/ BRG [S7]	1	
∇	PMTR00010	()	WHEEL ASSY, LEFT, W/ BRG [S7]	1	
▲	4	604079	()	RING, RETAINING, 28MMD, OUTER SNAP	4
▲	5	CUVR37341	()	BEARING, NEEDLE, WHEEL	2
▲	6	LAFN75838	()	BUSHING, HEX	2
▲	7	CUVR37344	()	BEARING, NEEDLE, WHEEL	2
▲	8	RTRT75989	()	WHEEL, 250D 55W BLK	2
9	VTVT75721	()	SCREW, M6 X 16	4	
10	CUVR75815	()	VR, BEARING, FLNG [S7]	2	
11	VTRS00503	()	WASHER, D. 6	4	
12	VTDD00491	()	NUT, M6	8	
13	VTVR26559	()	VR, KEY, SQ, 05MM X 05MM, 15MML	1	
14	ALTR75820	()	SHAFT, DRIVE	1	
15	MTCG13166	()	BELT, DRIVE	1	
16	MTPL75984	()	PULLEY, DRIVE	1	
17	VTVT86570	()	SCREW, SET, M6 X 1.00 X 10 [200252432]	1	
18	VTVT00003	()	SCREW, HEX, M4 X 0.70 X 12	1	
19	VTRS00291	()	WASHER, FLAT, 5 X 20	3	
20	MTPL75985	()	PULLEY, DRIVE, 55D	1	
21	VTVT85745	()	SCREW, 6 X 25 [TB CE]	3	
∇	PMTR00032	()	SUPPORT CUSCIN.6000 RIDUT.TRAZ.TK	1	
▲	22	CUVR86373	()	BEARING, BALL [6000 2RS]	1
▲	23	LAFN48900	()	SUPPORT, BRG	1
24	LAFN75969	()	PIN, SPPT, BELT	1	
25	LAFN00652	()	SUPPORT, MOTOR, DRIVE	1	
26	VEVR26677	()	IMPELLER, FAN, 200MMD	1	
27	VTVT14062	()	SCREW, HEX, M5 X 0.80 X 16 [223198]	2	
28	VTVR75730	()	VR, KEY, WOODRUFF, 03MM X 03MM, 3.7MML	1	
∇	29	RDGR75782	()	MOTOR, ELE, GEAR	1
▲		MPVR87013	()	CARBON BRUSH	1
∇	30	MOCC75780	()	MOTOR, ELE, FAN, 12VDC, 77MMD	1
▲		MPVR87013	()	CARBON BRUSH	1
31	VTVT62920	()	SCREW, HEX, M6 X 1.00 X 16, SS	4	
32	VTRS04026	()	WASHER, FLAT, 6 X 18	4	
33	LAFN00576	()	PIN, MTG, PULLEY GUARD	1	
34	606427	()	GUARD, FAN SCOUT 28	1	
35	VTVT00527	()	SCREW, 6 X 10 [TE FR]	1	
36	MPVR00611	()	DUCT, CONVEYOR, AIR	1	

∇ KIT

▲ INCLUDED IN KIT

PARTS LIST

ELECTRICAL COMPONENTS AND FILTRATION GROUP



Ref.	Part No.	Mfr. Date	Description	Qty.
1	KTRI06136	()	LABEL, CONTROL CONSOLE (Included in label kit)	1
2	MECI00723	()	SWITCH, KEY [S7]	1
2	1017696	()	KEY SET, REPLMT	1
3	MECI85331	()	SWITCH 0- 1 SW 540	1
4	MPVR00069	()	GASKET	1
5	MPVR12719	()	BUMPER, CONSOLE [S7]	1
6	KTRI86322	()	GASKET KIT, FRONT CONTAINER [3 PC]	1
7	VTVT47025	()	SCREW, BTN, M10 X 16	2
8	VTRS15958	()	WASHER UNI 6592 5X15X1,5 ZB	2
9	MPVR00610	()	TRAY, BATTERY, [S7]	1
10	FTDP00004	()	FILTER KIT, DUST, PRE- FILTER	1

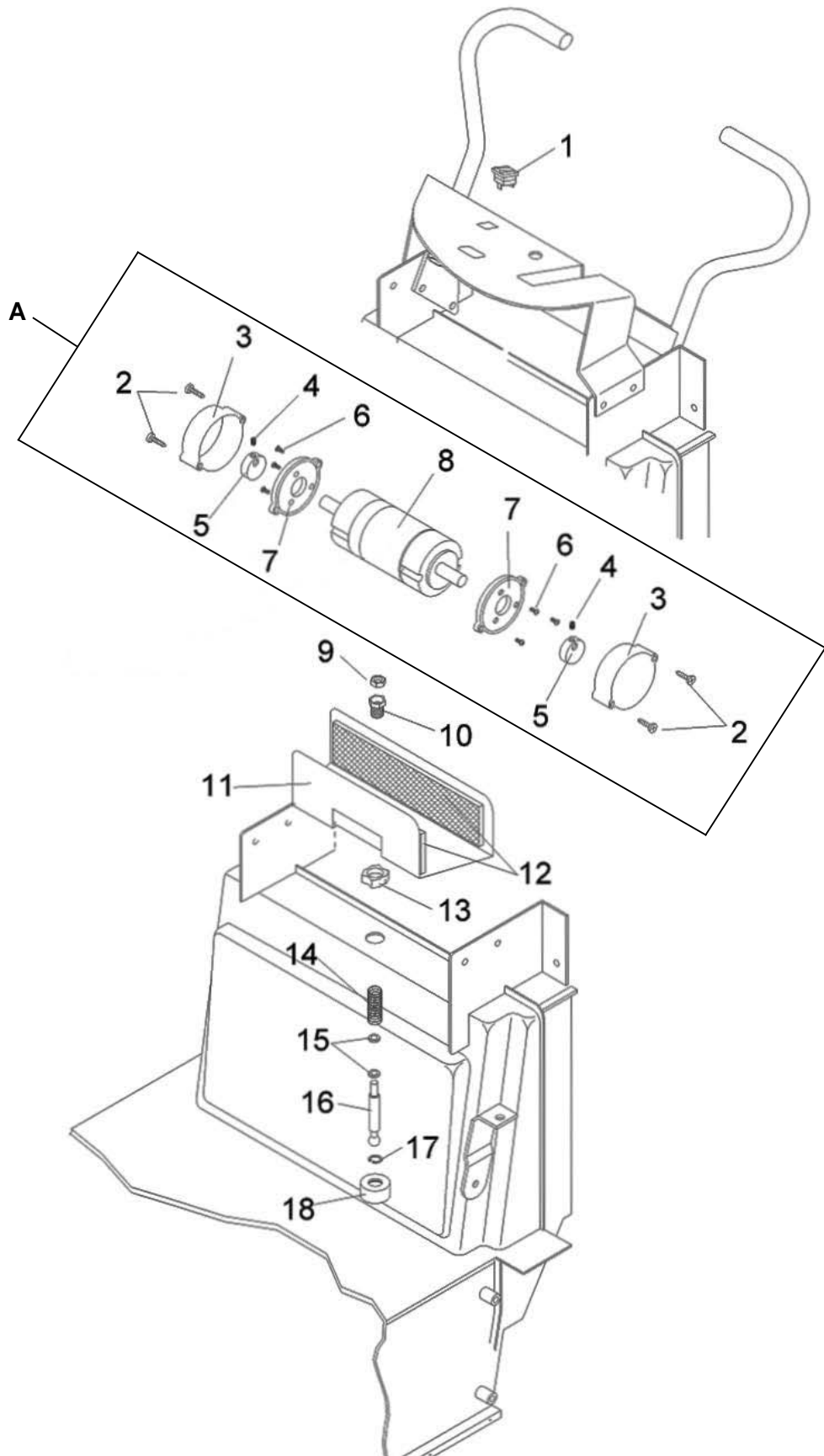
ELECTRICAL COMPONENTS AND FILTRATION GROUP

Ref.	Part No.	Mfr. Date	Description	Qty.	
11	VTDD04368	()	NUT, M4, ZIN, UNI5588	2	
13	METT00131	(03/22 -)	FUSE, CIRCUIT BREAKER, 14A	1	
14	N/A	(03/22 -)	LABEL, CIRCUIT PANEL (Included in Label Kit p/n TRI06136)	1	
15	VTDD00483	()	VR, NUT, M8 X 1.25	2	
16	PMVR00374	()	LATCH, HANDLE, FLTR	2	
17	FTDP76065	()	FILTER, PAPER, MAIN	1	
18	KTRI75926	()	GASKET KIT, FLTR [4 PC]	1	
19	MECB02299	(03/22 -)	CABLE, BATTERY	1	
19	MECB02170	()	CABLE, BATTERY	1	
20	METT00040	(03/22 -)	FUSE, CIRCUIT BREAKER, 5A	1	
21	LAFN11506	()	COLUMN, SPPT	4	
22	MPVR12721	()	CONTROLBOX [S7]	1	
23	VTRS00501	()	WASHER D. 4 0.232 UNI 6592	4	
24	VTRS08012	()	WASHER D. 4 GRW	4	
25	VTVT15965	()	SCREW, TCB- TC, M4X12, UNI7687, INX	4	
▽	MPVR76042	()	SKIRT KIT, FLAPS	1	
▲	26	MPVR75928	()	SKIRT, FLAP, LH, BLK	1
▲	27	MPVR85933	()	SKIRT, FLAP, BACKSIDE	1
▲	28	MPVR75922	()	SKIRT, FLAP, RH, BLK	1
▲	29	MPVR75927	()	SKIRT, FLAP, INNER, GRAY	2
30	VTVT01295	()	SCREW, FLT, M3.5 X 9.5, PHL	16	
31	604209	()	SCREW, M4x16	2	
32	METT00044	(03/22 -)	FUSE, CIRCUIT BREAKER, 10A	1	
33	LAFN00331	()	STRAP	1	
34	MPVR87400	()	SKIRT, FLAP, MAIN FRONT, RBR	1	
35	MPVR00731	()	SKIRT, FLAP, FRONT, RBR	1	
36	MEVR00049	()	BAR FUSE 50	1	
37	604257	()	FUSE, 001A, 250VOLT	1	
38	MECE75944	()	CIRCUITBOARD, MAIN	1	
39	VTDD04368	()	NUT, M4, ZIN, UNI5588	8	
40	VTVT00040	()	SCREW	4	
41	LAFN00074	()	FLAP [RISE ROCKER]	1	
42	VTVT75724	()	SCREW, HEX, M8 X 1.25 X 22	2	
43	LAFN00188	()	BUSHING	2	
44	897619	()	WASHER, D.8X24, ZC	2	
45	LAFN06282	()	HANDLE	1	
46	LAFN06279	()	HANDLE TUBE SERIES 20/30/50 ZIN	1	
47	MPVR12722	()	COVER, LEVER	1	
48	MEVR02601	()	GROMMET D.20	2	
49	9001475	()	STRAP, BATTERY	1	
50	VTRS15958	()	WASHER, UNI 6592 5X15X1.5 ZB	2	
51	METT00130	(03/22 -)	FUSE, 12A	1	
52	1053408	()	BATTERY, AGM, 12VDC, 140AH/C20 [NA/EXP/JP]	1	
52	994201	()	BATTERY, GEL, 12VDC, 105AH/C5 [EU/JP]	1	
53	897510	(01/20 - 02/22)	FUSE 30A	1	
54	MEVR00030	(01/20 - 02/22)	COVER, FUSE BOX	1	
55	MEVR01133	(01/20 - 02/22)	FUSE, 15A 32V	1	
56	VTDD04368	(01/20 - 02/22)	NUT, M4, ZIN, UNI5588	2	
57	9001469	()	RELAY	1	
58	9001470	()	ADAPTOR, MOUNT, RELAY	1	

▽ KIT

▲ INCLUDED IN KIT

FILTER SHAKER GROUP



FILTER SHAKER GROUP

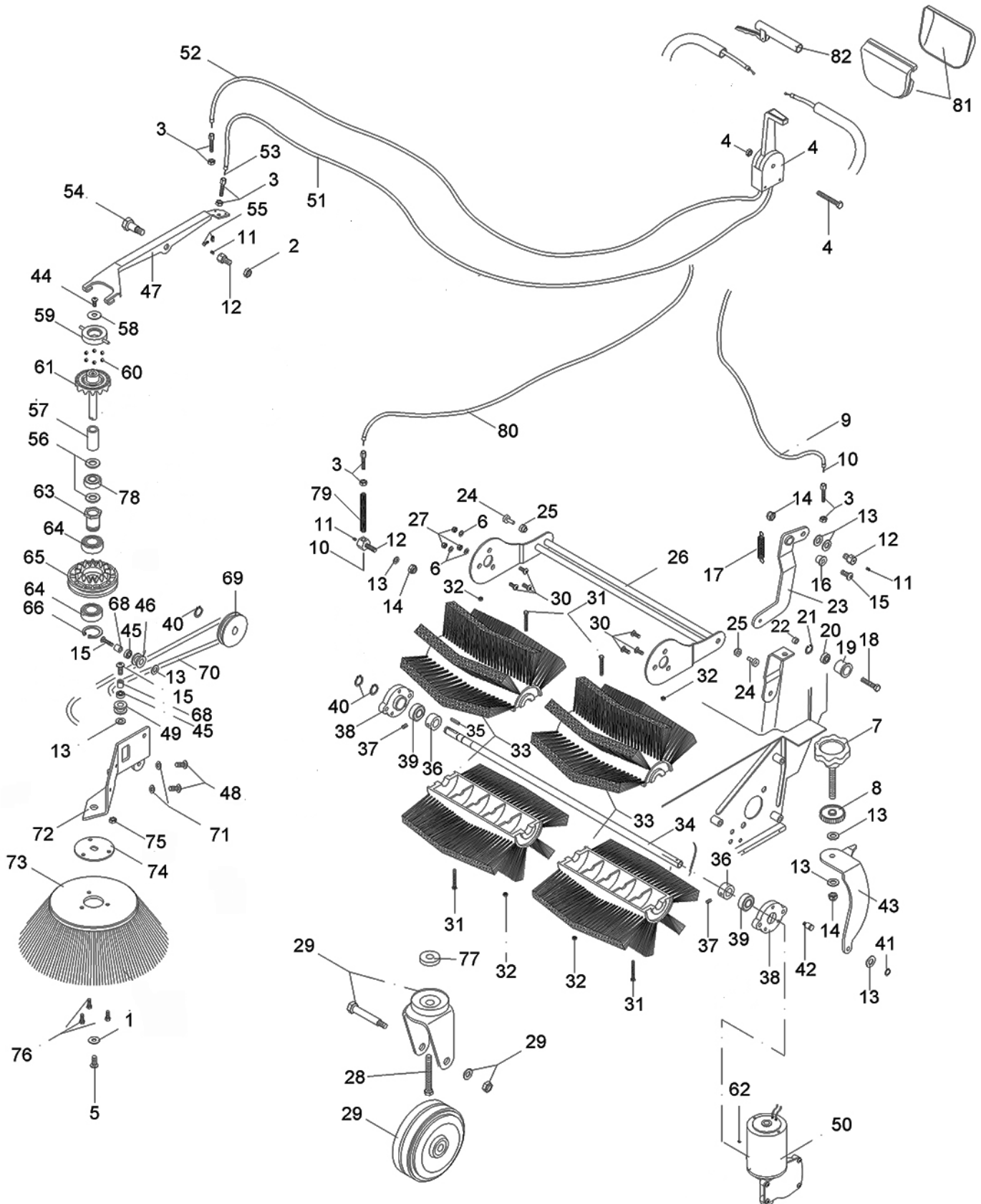
	Ref.	Part No.	Mfr. Date	Description	Qty.
▽	A	MOCC00500	()	MOTOR KIT, SHAKER [S7]	1
▲	1	MECI85331	()	SWITCH 0- 1 SW 540	1
▲	2	VTVT47138	()	SCREW AUTOF.TSP UNI 6955 3,9X32	4
▲	3	LAFN47139	()	MASS PROTECTION FILTER COVER	2
▲	4	VTVT75731	()	SCREW, SET, M6 X 1.00 X 5	2
▲	5	LAFN47140	()	BUSHING COUNTERWEIGHT FOR SHAKE FILTER	2
▲	6	VTVT76616	()	SCREW, FLT, M4 X 0.7 X 16, SOC	6
▲	7	MFVR47141	()	FLANGE X FILTER SHAKER MOTOR	2
▲	8	MOCC85526	()	MOTOR, FILTER SHAKER D.63 12V G3800 W35	1
	9	VTDD00008	()	NUT M10 UNI 5589 ZB	1
	10	ABGO00012	()	ANTIVIBRANT FOR SHAKE FILTER	1
	11	LAFN11507	()	BRACKET, SPPT, FILTER SHAKER MOTOR	1
	12	MPVR00728	()	GASKET PROTECTION. SHAKE FILTER	2
	13	LAFN36319	()	RING NUT M25X1.5- 10.3	1
	14	MLML85610	()	SPRING TK2205017	1
	15	GUGO19260	()	O- RING D. 8 X 1 NBR 70SH	2
	16	LAFN00428	()	PIN D.15 H.78 BALL SHAKE FILTER	1
	17	VTAE00007	()	RING, RETAINING, 16MMD, INNER SNAP	1
	18	LAFN00417	()	BAR, SHAKR, FLTR [ARTICULATER]	1

▽ KIT

▲ INCLUDED IN KIT

PARTS LIST

SIDE BRUSH AND MAIN BRUSH GROUP

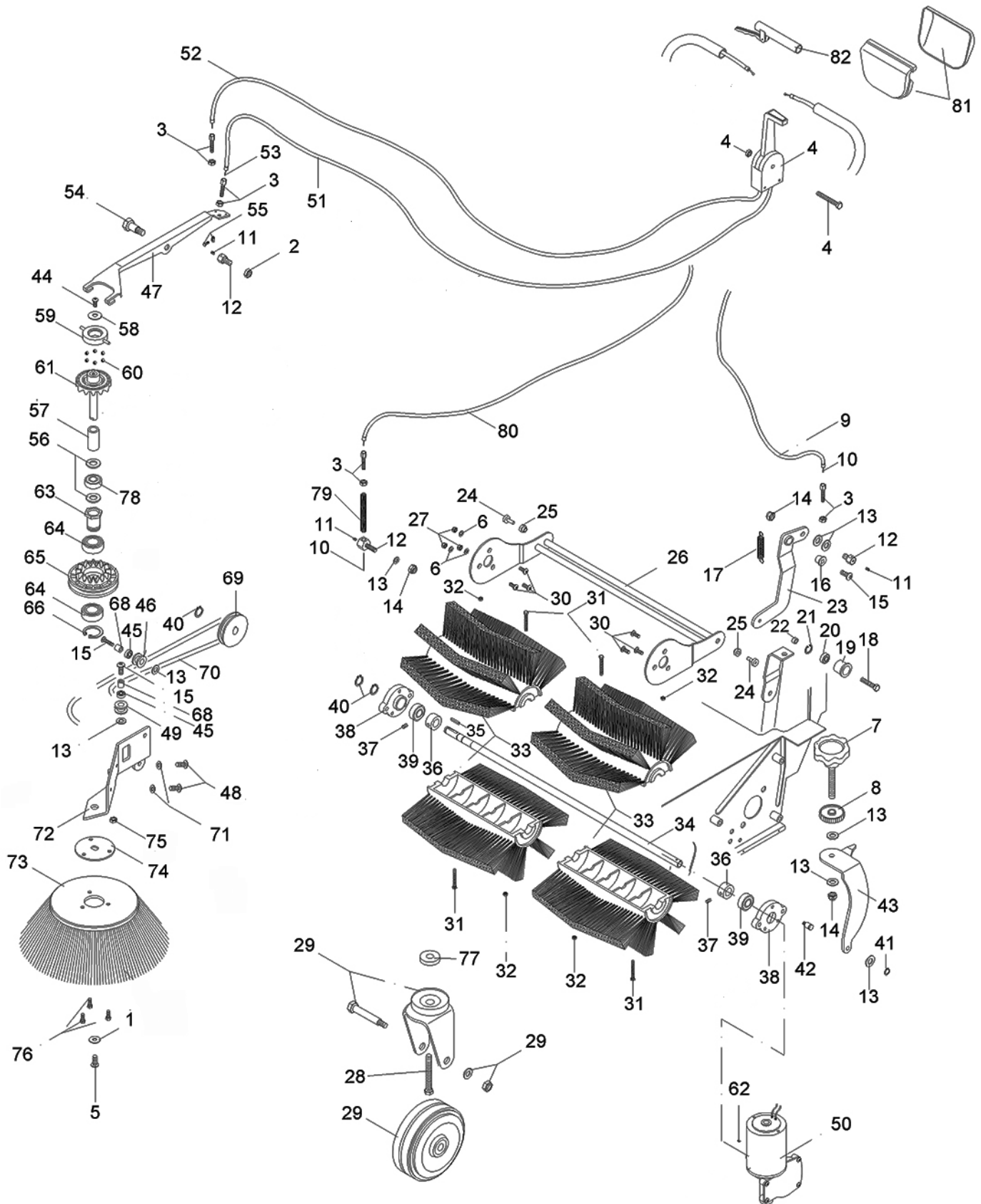


SIDE BRUSH AND MAIN BRUSH GROUP

Ref.	Part No.	Mfr. Date	Description	Qty.
1	VTRS63242	()	WASHER, FLAT, 6 X 24	1
2	VTDD13261	()	NUT, HEX, M8	1
3	CMCV75723	()	ADJUSTER, CABLE [TURNED 07]	3
4	MPVR00017	()	SIDE BRUSH LEVER	1
5	VTVT62920	()	SCREW, HEX, M6 X 1.00 X 16, SS	1
6	VTRS00503	()	WASHER, D. 6	3
7	VTVR75767	()	VR, KNOB, 60MMD, M12 X 67MML	1
8	LAFN75735	()	VR, NUT, RING, KNUURL, 40MMD X M12	1
9	CMCV85325	()	SHEATHING, CABLE, DRIVE, 876MM [34.5"]	1
10	CMCV00022	()	CABLE, DRIVE, 1048MM [41.25]	2
11	VTVT87456	()	SCREW, SET, SOC, M5 X 0.80 X 6	3
12	LAFN01068	()	SCREW [WIRE FIXING]	3
13	VTRS00504	()	WASHER, FLAT [SCOUT 28 AM, VTRS00504]	9
14	897598	()	NUT, M8, FLAT	4
15	VTVT75727	()	SCREW, HEX, M8 X 1.25 X 25, 8.8	3
16	MPVR75836	()	BUSHING, LEVER [BELT TIGHTNER]	1
17	MLML75960	()	SPRING, EXTN, TRACTION	1
18	VTVT76018	()	SCREW, RLR, BELT TIGHTENER	1
19	MTPL37338	()	ROLLER [BELT TIGHTENER, H15]	1
20	CUVR71988	()	BEARING, BELT TENSIONER	1
21	VTAE87082	()	RING, RETAINING, 22MMD, INNER SNAP	1
22	LAFN75909	()	SPACER	1
23	LAFN87609	()	BRACKET [BELT TIGHTENING]	1
24	LAFN76019	()	SCREW, BTN, M8	2
25	LAFN75834	()	BUSHING, ROCKER	2
26	LAFN00035	()	ROCKER	1
27	VTDD00491	()	NUT, M6	3
28	VTVT00028	()	SCREW TE UNI 5739 12X45 ZB	1
29	RTRT24661	()	CASTER, SWIVEL, 100MMD, BLK	1
30	1016421	()	SCREW, FLT, M6 X 1.0 X 20, SS	6
31	VTVT22102	()	SCREW, SOC, M5 X 0.80 X 70	4
32	604213	()	VR, NUT, M5	4
33	SPPV00051	()	BRUSH KIT, SWP, MAIN [COMPLETE]	1
34	ALTR75822	()	SHAFT, BRUSH [TK500]	1
35	VTVR26559	()	VR, KEY, SQ, 05MM X 05MM, 15MML	1
36	LAFN26588	()	SPACER, SHAFT, BRUSH	2
37	VTVT75731	()	SCREW, SET, M6 X 1.00 X 5	2
38	PMTR00026	()	SUPPORT D.90 RIGHT / LEFT (2 INS.) + CRU	2
39	CUVR00005	()	BEARING, BRUSH, MAIN	2
40	VTAE17003	()	RING, RETAINING, 15MMD, OUTER SNAP	3
41	VTAE14016	()	RING, RETAINING, 12MMD, OUTER SNAP	1
42	LAFN75971	()	PIN, PIVOT, BRUSH, ADJ	1
43	LAFN00342	()	BRACKET, BRUSH, ADJ	1
44	VTVT75724	()	SCREW, HEX, M8 X 1.25 X 22	1

PARTS LIST

SIDE BRUSH AND MAIN BRUSH GROUP - Continued



SIDE BRUSH AND MAIN BRUSH GROUP - Continued

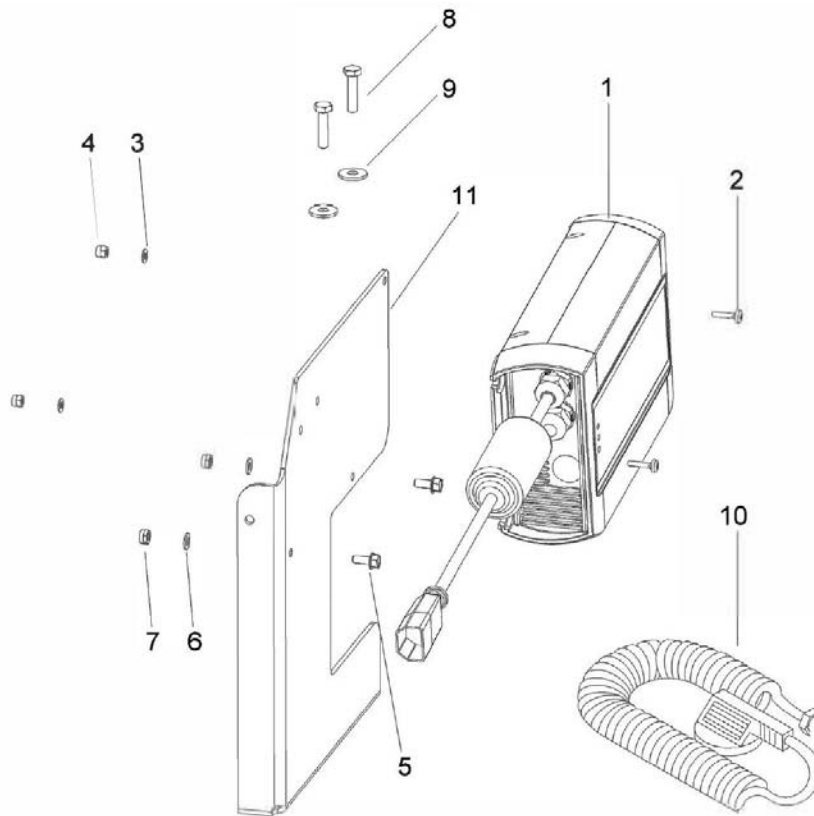
Ref.	Part No.	Mfr. Date	Description	Qty.
▽				
	PMTR00065	()	PULLEY D.30X15 BRAC.LAT.TIP.NUOV	1
▲	45	CUVR75814	() BEARING, NEEDLE [HK 1012]	1
▲	46	MTPL75997	() PULLEY, IDLER, 30D X 15	1
	47	LAFN75953	() LEVER, LIFT, SIDE BRUSH	1
	48	VTVT45395	() SCREW, HEX, M8 X 1.25 X 10	2
▽				
	PMTR00064	()	PULLEY D.27X15 BRAC.LAT.TIP.NUOV	1
▲	45	CUVR75814	() BEARING, NEEDLE [HK 1012]	1
▲	49	MTPL75996	() PULLEY, IDLER, 27D X 15	1
▽	50	RDGR75782	() MOTOR, ELE, GEAR	1
▲		MPVR87013	() CARBON BRUSH, MOTOR	1
▽				
	CMCV85333	()	SHEATH 2310262	1
▲	51	CMCV75902	() SHEATHING, CABLE, SIDE BRUSH, 940MM[37"]	1
▲	52	CMCV87452	() SHEATHING, CABLE, SIDE BRUSH, 851MM[33"]	1
▲	53	CMCV85329	() CABLE, SIDE BRUSH, 2242MM [88.25IN]	1
	54	LAFN75968	() BOLT, SHLD, 17MMD X 034MM	1
	55	CMCV75737	() CLAMP [07]	1
▽				
	MTIG85321	()	RING SW 500TK	1
▲	56	VTRS75831	() WASHER, SIDE BRUSH ARM, FELT	2
▲	57	LAFN75912	() SPACER, SHAFT, SIDE BRUSH	1
▲	58	VTRS00513	() WASHER, FLAT, 8 X 32	1
▲	59	LAFN75824	() RING, BRG, SIDE BRUSH	1
▲	60	SFVR00002	() BEARING, BALL, 0.34B	6
▲	61	LAFN75826	() RING, BRUSH, SIDE [TOOTHED]	1
	62	VTVR75730	() VR, KEY, WOODRUFF, 03MM X 03MM, 3.7MML	1
▽				
	PMVR00403	()	COMPLETE TK NEEDLE TOOTHED RING	1
▲	63	LAFN75833	() BUSHING, BRG	1
▲	64	CUVR86893	() BEARING, SIDE BRUSH	2
▲	65	LAFN75827	() RING, IDLER [TOOTHED, T82100020]	1
▲	66	VTAE09655	() RING, RETAINING, 25MMD, OUTER SNAP	1
	68	LAFN75840	() SPACER	2
	69	MTPL75980	() PULLEY, DRIVE	1
	70	MTCG85335	() BELT, SIDE BRUSH, BLUE	1
	71	897619	() WASHER, D.8X24, ZC	2
	72	LAFN76005	() SUPPORT, BRUSH, SIDE	1
▽				
	PMVR00248	()	BRUSH KIT, SWP, SIDE, STD	1
▲	73	SPPV76057	() BRUSH, SIDE, STD [W/O METAL FLANGE]	1
▲	74	LAFN75986	() FLANGE, SIDE BRUSH, DRAG	1
▲	75	VTDD13261	() NUT, HEX, M8	3
▲	76	VTVT00527	() SCREW, 6 X 10 [TE FR]	3
	77	LAFN75910	() SPACER, 10MM TH	1
	78	CUVR37344	() BEARING, NEEDLE, WHEEL	1
	79	MLML00033	() SPRING, CMPR	1
	80	CMCV85518	() SHEATHING, CABLE, DEBRIS FLAP, 1200MM	1
	81	MPVR00678	() CASING HANDLE TRAZ + AF TRAIL GR	1
	82	PMVR00391	() HOUSING ASSY, HANDLE [S7]	1

▽ KIT

▲ INCLUDED IN KIT

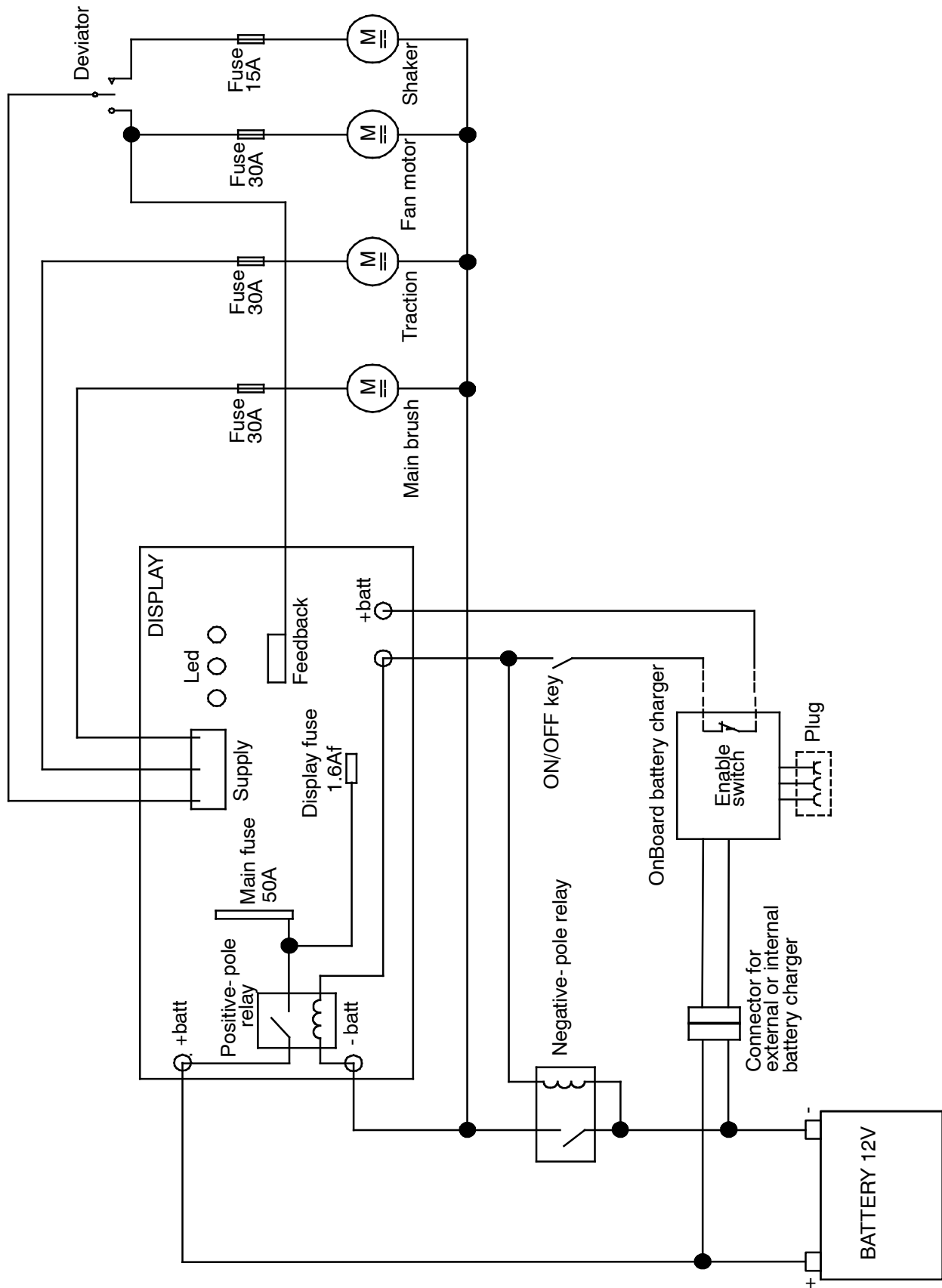
PARTS LIST

BATTERY CHARGER GROUP



Ref.	Part No.	Mfr. Date	Description	Qty.
1	BACA00278	()	CHARGER, BATTERY, CBHD1 12V 10A [S7]	1
2	VTVT72043	()	SCREW	2
3	VTRS00501	()	WASHER D. 4 0.232 UNI 6592	2
4	VTDD04369	()	NUT M 4 TEF UNI 7473	2
5	VTVT00005	()	SCREW, HEX, M5 X 0.80 X 12	2
6	VTRS00502	()	WASHER D. 5 0.466 UNI 6592	2
7	VTDD01693	()	NUT, M5, INOX	2
8	VTVT01532	()	SCREW, HEX, TE 6X25 UNI5739	2
9	VTRS04026	()	WASHER, FLAT, 6 X 18	2
10	1044068	()	CORD, POWER, CHRGR, 230VAC [S7 CE]	1
10	1044069	()	CORD, POWER, CHRGR [S7 UK]	1
10	1069835	()	CORD, POWER, CHRGR, 120VAC [S7- NA]	1
10	989584	()	CORD, POWER, W/ PLUG, 125V12A, 4.5m [S7- JP]	1
10	1026325	()	CORD, POWER, CHRGR [S7 ANZ]	1
11	LAFN11493	()	BRACKET, BATTERY CHARGER [S7]	1

ELECTRICAL DIAGRAM (Mfr. Date 01/20 - 02/22)



PARTS LIST

ELECTRICAL DIAGRAM (Mfr. Date 03/22 -)

