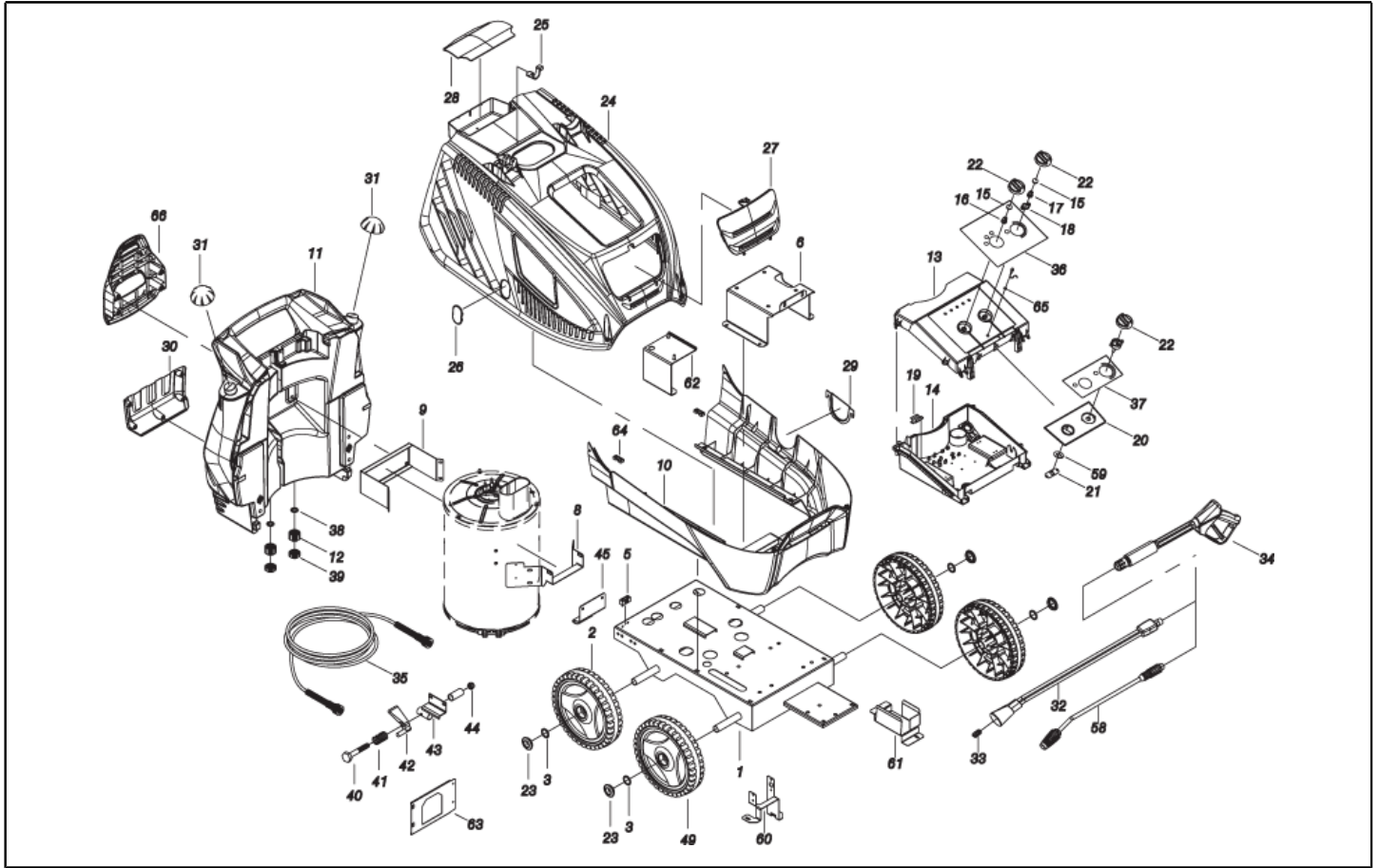
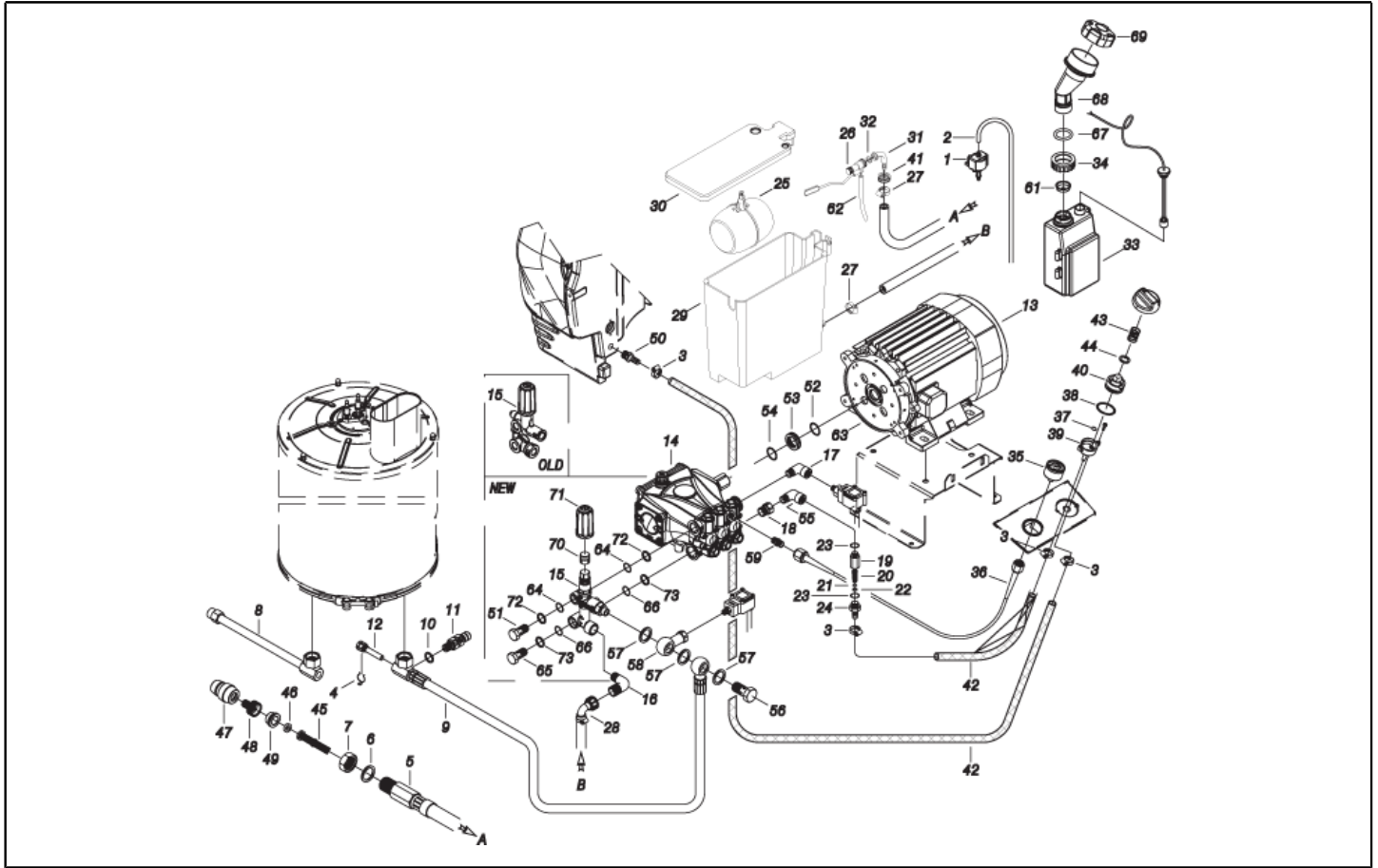


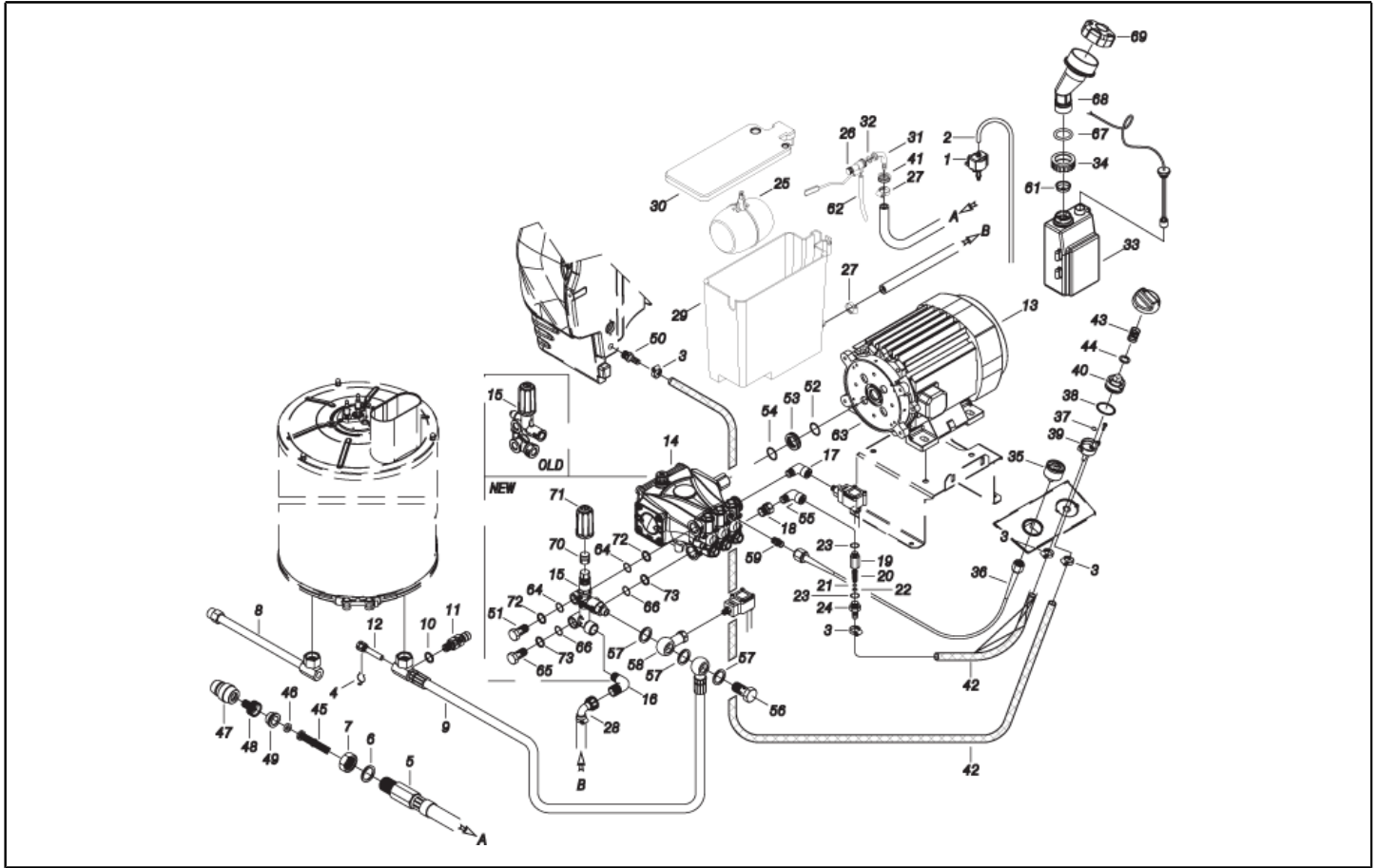
Ref. K	Part N.	Part N. 2	Description	Quantity	Validity		Price
					From	To	
0001	LAFN40761	N/A	CHASSIS PW-H50/7.5-4W BK.	1,00			--
0002	RTRT40042	N/A	WHEEL D.300-D.25 FLY-IPC	2,00			--
0003	VTRS09813	N/A	WASHER D.25	4,00			--
0005	MEVR20906	N/A	CABLE CLAMP KSM	1,00			--
0006	LAFN40683	N/A	MOTOR SUPPORT PW-H35 7.5Hp ZC.	1,00			--
0008	LAFN40685	N/A	SUPPORT PW-H35/7.5 PS ZC.	1,00			--
0009	LAFN40835	N/A	BRACKET PW-H35 PM.2 ZC	1,00			--
0010	MPVR40704	N/A	BLACK COVER PW-H35/7.5 INF.PP	1,00			--
0011	MPVR40519	N/A	TANK PW-H35 PEHD BK.	1,00			--
0012	PVVR11806	N/A	DISCHARGE CAP FLL	2,00			--
0013	MPVR40540	N/A	BOX COVER PW-H35 ABS BK.	1,00			--
0014	MPVR40818	N/A	CONTROL BOX PW-H50/7.5 C/F.TH.ABS BK.	1,00			--
0015	GUGO25527	N/A	O-RING D. 14 X 3 NBR 70SH	2,00			--
0016	MPVR23482	N/A	SWITCH TANG TEC. TUV	1,00			--
0017	MPVR23484	N/A	TAIL PIECE THERM.KSM TUV	1,00			--
0018	MPVR41903	N/A	THICKNESS TERM.IM.PA66	1,00			--
0019	LAFN46067	N/A	SUPPORT L.60 P176	2,00			--
0020	MPVR40542	N/A	ANT. PANEL PW-H35 ABS BK.	1,00			--
0021	LAFN40922	N/A	JUNCTION BOARD PW-H35 D.14 ZC.	1,00			--
0022	MPVR49057	N/A	BLACK KNOB P176-M.RACE PA6	3,00			--
0023	MPVR40782	N/A	HUB CAP D.50 G-48/IPC BK.	4,00			--
0024	MPVR40955	N/A	GREEN COVER PW-H35/7.5 SUP.PP GR.9472	1,00			--
0024	VTVR40048	N/A	HANDWHEEL M 5MAX10 THP20	1,00			--
0024	FSVR62795	N/A	PLATE DI FISSAGGIO RPD0074	2,00			--
0025	MPVR40485	N/A	RUBBER PW-H35 15-20BK.	1,00			--
0025	MPVR40534	N/A	PIN PW-H35 PP BK.	2,00			--
0026	MPVR40539	N/A	DOOR PW-H35 PPL NT.	1,00			--
0027	MPVR40660	N/A	DOOR PW-H35 PPL BK.	1,00			--
0028	MPVR40661	N/A	DOOR PW-H35 PPL BK. PST	1,00			--
0029	MPVR40532	N/A	DOOR PW-H35 PPL BK.INF.	1,00			--
0030	MPVR40533	N/A	TOOL HOLDER PW-H35 PP BK.	1,00			--
0031	MPVR40187	N/A	TANK CAP P215 PEHD C/F.	2,00			--
0032	LCPR40087	N/A	EXTENSION P 70 -P20.IX700 M22 M	1,00			--
0033	UGLN49987	N/A	NOZZLE LECH 1/4 15045	1,00			--
0034	IPPR40025	N/A	GRIP G 6000+P.330 +M22 SW.M 2V	1,00			--
0035	TBAP25324	N/A	H.P. HOSE R1 MT 10 5/16" C/2 IRV ZC	1,00			--
0036	ETET40726	N/A	LABEL PW-H35/7.5 RUNNER ELETT.	1,00			--
0037	ETET40590	N/A	LABEL PW-H35.RUNNER IDR.	1,00			--
0038	GUGO11489	N/A	GASKET D.22X1,5	2,00			--
0039	MPVR20187	N/A	RING NUT M 39 X 3	2,00			--
0040	VTVT14480	N/A	SCREW TE M 8X80 ZINC. UNI	1,00			--
0041	MLML11917	N/A	SPRING D. 14.5 X24 X2.2	1,00			--
0042	MPVR40751	N/A	TRIGGER H28/4W	1,00			--
0043	LAFN40762	N/A	BRACKET PW-H50/4W BK.	1,00			--



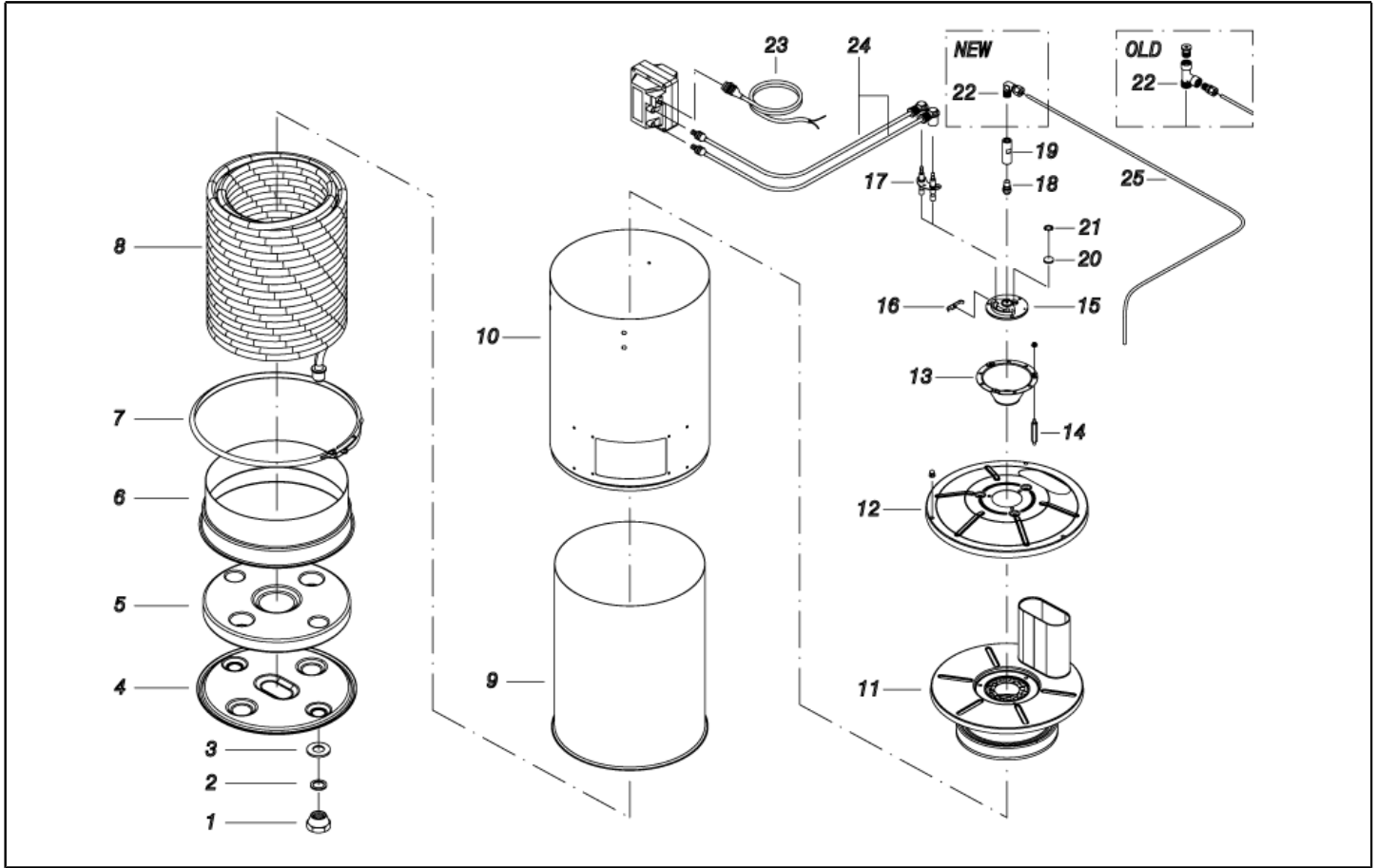
Ref. K	Part N.	Part N. 2	Description	Quantity	Validity		Price
					From	To	
0044	VTDD00492	N/A	NUT M 8 ZINC	1,00			--
0045	LAFN40609	N/A	FOOT PW-H35/4W	1,00			--
0049	RTRT40041	N/A	WHEEL D.250-D.25X 65 RES BK.	2,00			--
0059	LAFN40921	N/A	PLATE PW-H35 D.14 ZC.	1,00			--
0060	LAFN40687	N/A	BRACKET PW-H35/7.5 ZC.	1,00			--
0061	LAFN40686	N/A	SUPPORT BRACKET PW-H35/7.5 ZC.	1,00			--
0062	LAFN40695	N/A	B.TANK BRACKET PW-H35/7.5 BK.	1,00			--
0063	LAFN40684	N/A	SUPPORT PW-H35/7.5 AN.ZC.	1,00			--
0064	MPVR28554	N/A	CABLE FASTNER ELT	1,00			--
0064	VTVT13234	N/A	SCREW TCB-TC 3.5X19 NIK	2,00			--
0066	MPVR40701	N/A	HOSE SUPPORT PW-H35 PP BK.	1,00			--



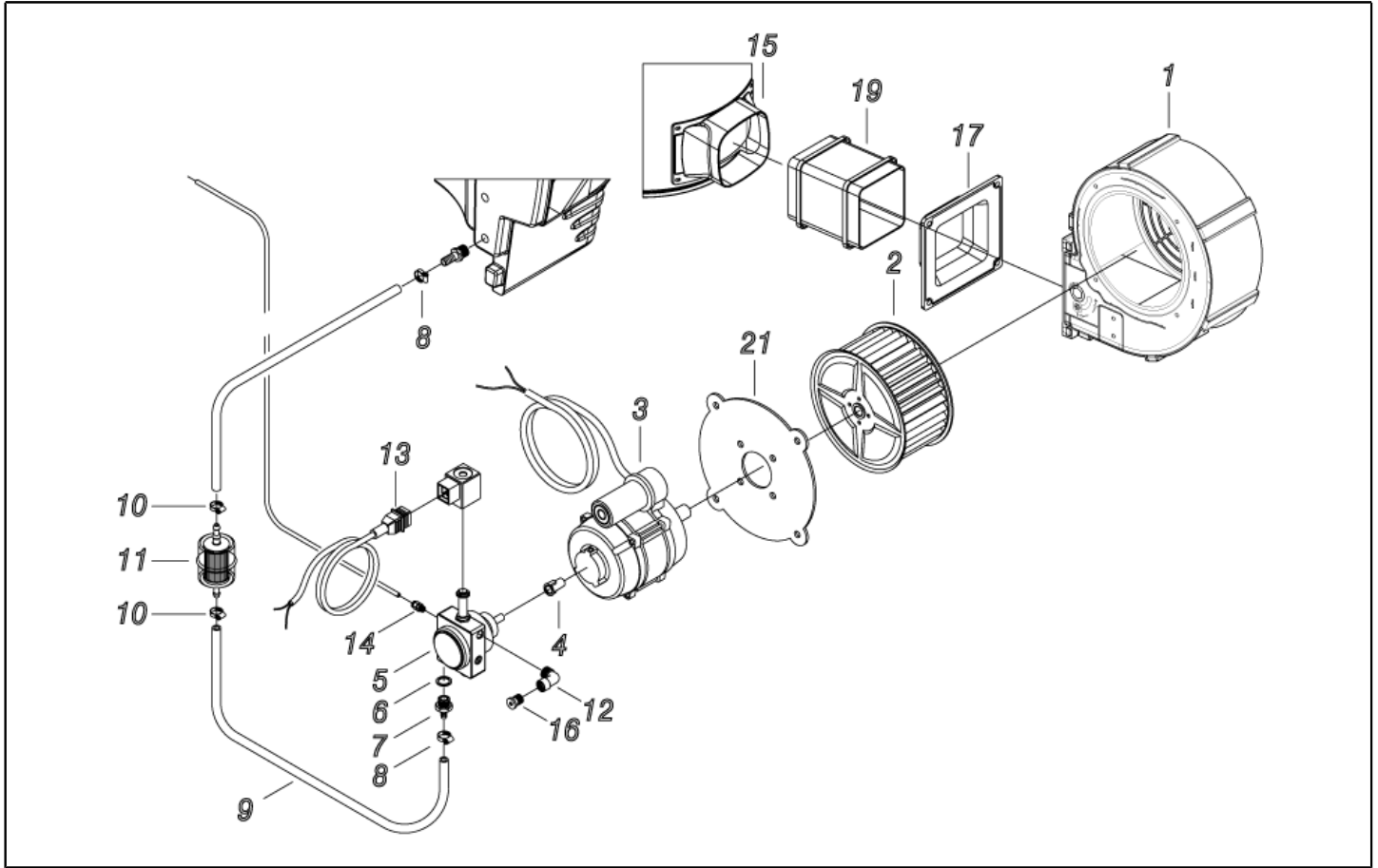
Ref. K	Part N.	Part N. 2	Description	Quantity	Validity		Price
					From	To	
0001	MEPD45940	N/A	DESCALING PUMP NME 1 24V 50/60HZ	1,00			--
0002	TBBP00058	N/A	L.P. HOSE D. 4- 7	0,90			--
0003	FSVR00427	N/A	CLAMP D. 12 CLIC 66-110	4,00			--
0004	MLML02623	N/A	SPRING IMT	1,00			--
0005	TBBP40082	N/A	L.P. HOSE L=1850 1/2M 0° -D.16X26	1,00			--
0006	RCDS49875	N/A	RING NUT 1/2"X 6 CH.27 OT.	1,00			--
0007	VTRS00549	N/A	WASHER D.21,5X27X1.5 (1/2) RM	1,00			--
0008	RCDS21118	N/A	CONNECTOR KSM	1,00			--
0008	RCDS21119	N/A	NUT KSM	1,00			--
0008	RCDS40045	N/A	CONNECTOR G 3/8F -1/4 +M14X1 C.27	1,00			--
0008	RCDS40164	N/A	CONNECTOR L=285 2X3/8M CN. ZC.	1,00			--
0008	RCIN03753	N/A	MALE COUPLING M22-3/8 M-FA	1,00			--
0009	TBAP40161	N/A	HOSE-FITTING 3/ 8 R2 L=755 3/8OC.-PM26	1,00			--
0010	VTRS40960	N/A	WASHER D.13.5X19 X4 AL.	1,00			--
0011	VVSC47427	N/A	VALVE MG 1000 G1/4M-M D.8 250B	1,00			--
0012	RCDS00593	N/A	SUMP IM 0-120 L=50	1,00			--
0013	MOTR40053	N/A	3PH MOTOR H35 HP7.5 23-400/50k RR/K	1,00			--
0014	PPAP40086	N/A	PUMP RR 13.20 DX N	1,00			--
0015	MPVR40589	N/A	BLACK KNOB ST 260 IPC	1,00			--
0015	VVAZ40062	N/A	VALVE VRF-2 AR-R AF S/I. RG	1,00			--
0016	RCDS87610	N/A	NIPPLE 3/4 - 1/2 CB D.13.0	1,00		10/05/2015	--
0016	RCVR40153	N/A	ELBOW 3/4"-1/2" M OT.	1,00	11/05/2015		--
0017	RCVR72833	N/A	ELBOW 3/8"-1/4" M/F A.P.Cn OTT.	1,00			--
0018	RCVR02606	N/A	REDUCTION 1/2-1/4 M/F	1,00			--
0019	RCDS46072	N/A	VALVE BODY N/R 1/4F-1/4 P176 OT	1,00			--
0020	MLML21505	N/A	SPRING D. 8 X5 X0.3	1,00			--
0021	SFVR04274	N/A	BALL D. 7/32	1,00			--
0022	GUGO01055	N/A	O-RING D. 5.28 X 1.78 VIT 70SH	1,00			--
0023	GUGO01036	N/A	O-RING D. 10.82 X 1.78 NBR 70SH	1,00			--
0024	RCDS10546	N/A	VALVE SEAT 1/4M + PG. D.3-7.5 OTT	1,00			--
0025	RCGR01387	N/A	PLASITC BALL D.104	1,00			--
0026	RCGR10358	N/A	TAP UG. D. 7	1,00			--
0027	FSVR00431	N/A	CLAMP D. 16-25	1,00			--
0028	TBBP40081	N/A	L.P. HOSE L=1130 3/4F 0°-LIB.	1,00			--
0029	MPVR22117	N/A	WATER TANK FUT PPL BK.	1,00			--
0030	MPVR40699	N/A	TANK COVER FUT PPL C/FR.BK.	1,00			--
0031	RCDS10357	N/A	HOSE FITTING FUT 90°	1,00			--
0033	MPVR40698	N/A	TANK KSM C/PE.	1,00			--
0034	MPVR40739	N/A	TANK CAP KSM D.36.2	1,00			--
0035	MNMN40007	N/A	PRESSURE GAUGE 0-30MPa D.40 1/8	1,00			--
0036	TBAP40113	N/A	POLYAMIDE HOSE L=420 1/4F GR.-1/8F MN.	1,00			--
0037	GUGO08071	N/A	O-RING D. 4.48 X 1.78 NBR 70SH	1,00			--
0038	GUGO12183	N/A	O-RING D. 23.4 X 3.53 VIT 70SH	1,00			--
0039	RCGR08069	N/A	TAP BODY DET. PRT	1,00			--



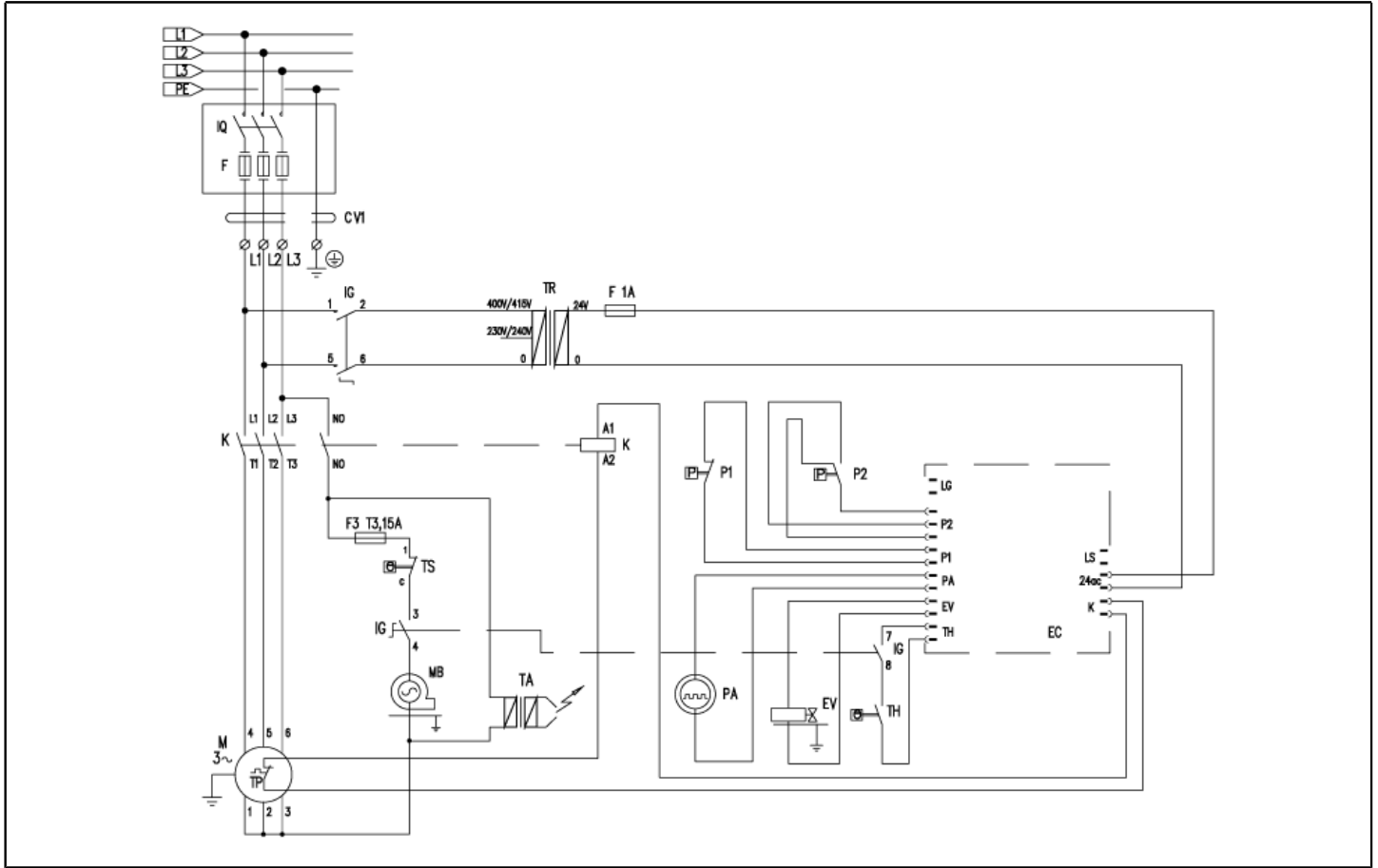
Ref. K	Part N.	Part N. 2	Description	Quantity	Validity		Price
					From	To	
0040	RCGR08070	N/A	ADJUSTER PRT	1,00			--
0041	RCDS10356	N/A	RING NUT FUT	1,00			--
0042	TBBP00051	N/A	DETERGENT HOSE D. 6-12	1,20			--
0042	TBBP00051	N/A	DETERGENT HOSE D. 6-12	0,77			--
0043	MLML08068	N/A	SPRING D.1,5 L.23	1,00			--
0044	VTRS00548	N/A	WASHER D.17,5X23X1,5 (3/8)RM	1,00			--
0045	FTAC30214	N/A	FILTER D.15X67	1,00			--
0046	GUGO37736	N/A	GASKET D. 10- 19 X 5 70SH	1,00			--
0047	RCVR29600	N/A	SOCKET PTC 3/4 F	1,00			--
0048	RCVR29602	N/A	CONNECTOR D. 1/2"-5/8" PTC	1,00			--
0049	RCVR37806	N/A	REDUCTION PTC 3/4-1/2 M/F	1,00			--
0050	RCVR40113	N/A	HOSE FITTING 1/8 M D. 5- 7 NIK	2,00			--
0051	RCDS40172	N/A	SCREW 3/8 VRF-2 OT 4F.	1,00			--
0052	GUGO21339	N/A	O-RING D. 29.82 X 2.62 VIT 70SH	1,00			--
0053	RCDS25578	N/A	BUSHING IP WW141 OT.	1,00			--
0054	GUGO21337	N/A	O-RING D. 25.07 X 2.62 VIT 70SH	1,00			--
0055	RCVR00573	N/A	ELBOW 1/4" M/F A10	1,00			--
0056	RCDS14384	N/A	SCREW G 3/8 VSP 180	1,00			--
0057	VTRS00548	N/A	WASHER D.17,5X23X1,5 (3/8)RM	3,00			--
0058	RCDS40692	N/A	CONNECTOR O. 3/8 - G1/4F L=28.5	1,00			--
0059	RCDS00607	N/A	NIPPLE 1/4 - 1/4 SV	1,00			--
0061	MPVR18582	N/A	CAP D.22	1,00			--
0062	TBBP17436	N/A	L.P. HOSE D.12-14 RILSAN NT.	0,17			--
0063	MFVR21309	N/A	COUNTERFLANGE MEC 90-100-112	1,00			--
0064	GUGO03510	N/A	O-RING D. 12.37 X 2.62 NBR 70SH	2,00			--
0065	RCDS40171	N/A	SCREW G 1/2 VRF-2 OT. 2F.	1,00			--
0066	GUGO01048	N/A	O-RING D. 15.88 X 2.62 NBR 70SH	2,00			--
0067	GUGO89386	N/A	O-RING D. 30 X 5 NBR 70SH	1,00			--
0068	MPVR40700	N/A	MANIFOLD A.CLCL PW-H35 PP NT.	1,00			--
0069	MPVR40187	N/A	TANK CAP P215 PEHD C/F.	1,00			--



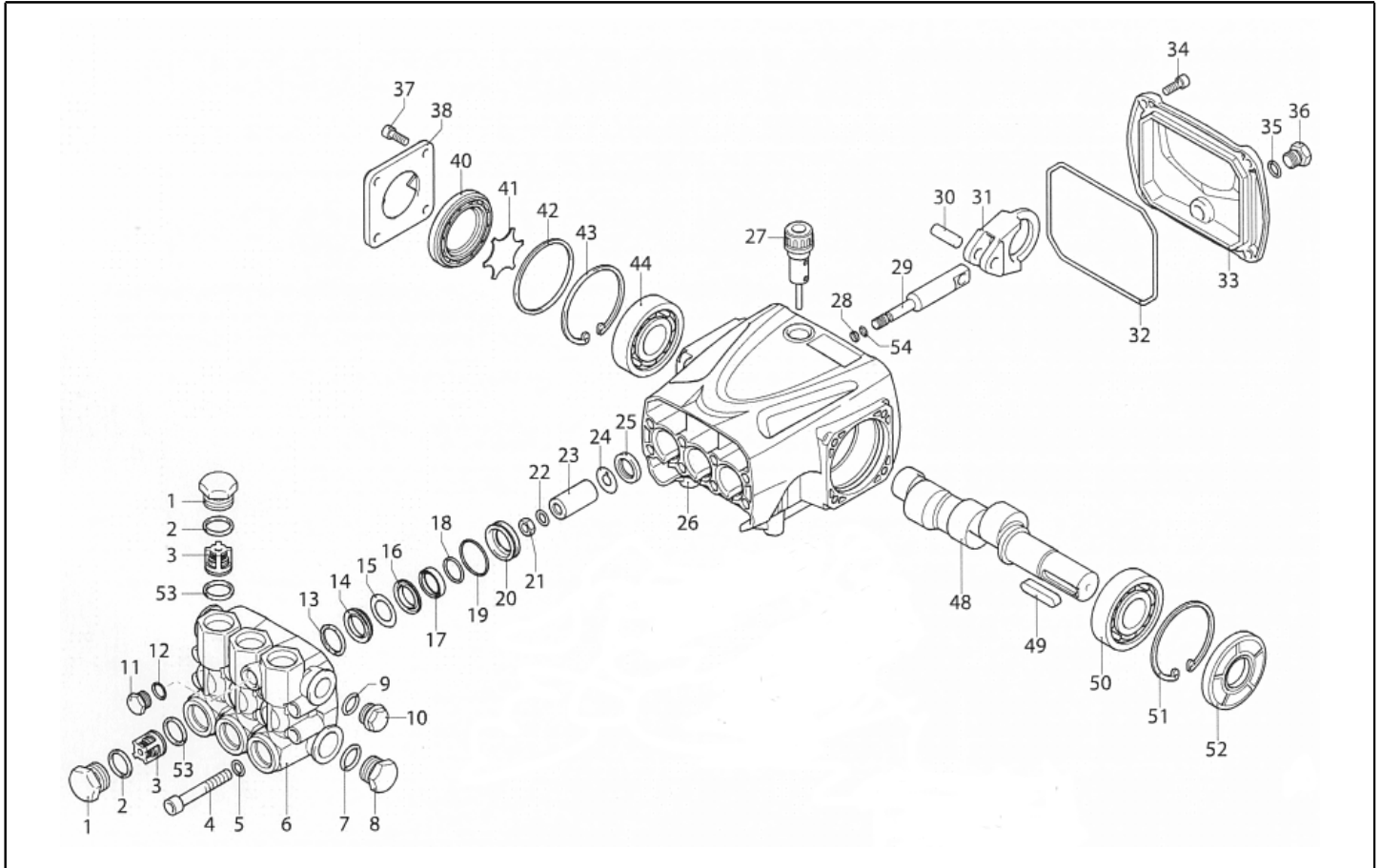
Ref. K	Part N.	Part N. 2	Description	Quantity	Validity		Price
					From	To	
0001	RCDS21120	N/A	RING NUT M 26 X 1,5	2,00			--
0002	GUGO21222	N/A	O-RING D. 15.54 X 2.62 VIT 80SH	2,00			--
0003	GUVR21021	N/A	ANTI-EXTR.RING D. 21 X17 TEF.	2,00			--
0004	LAFN44149	N/A	BOILER BOTTOM P176	1,00			--
0005	ITTE44175	N/A	BOTTOM P176 C.TE	1,00			--
0006	LAFN44151	N/A	BAND P176 INX	1,00			--
0007	LAFN40037	N/A	RING D.342 P176 ZN 2V.CPL.	1,00			--
0008	LAGR48101	N/A	DOUBLE COIL M26X1.5 P176 30MT. SP.2.6	1,00			--
0009	LASL40101	N/A	INT. CYLINDER PM INX	1,00			--
0010	LAFN40688	N/A	EXT. CYLINDER PM-H35/7.5 INX	1,00			--
0011	LAFN40269	N/A	BOILER COVER SI PM INX	1,00			--
0012	LAFN40270	N/A	BOILER COVER SE PM INX	1,00			--
0013	LAFN44244	N/A	BAFFLE P176 30M INX	1,00			--
0014	LAFN40271	N/A	PIN CH.10 X 67.7 M5M/M5M PM	3,00			--
0015	MFVR18226	N/A	ELECTR.HOLDER FUT 3°V	1,00			--
0016	LAFN07641	N/A	PLATE INX	1,00			--
0017	MECA12525	N/A	ELECTRODE FUT	1,00			--
0018	UGBR22576	N/A	BURNER NOZZLE 1.35 60 S	1,00			--
0019	RCDS07642	N/A	NOZZLE HOLDER FUT	1,00			--
0020	MPVR18228	N/A	OIL WARN-LIGHT D.17 X3	1,00			--
0021	VTAE22633	N/A	SEEGER 0.4 X18,30X10,5	1,00			--
0022	RCVR08954	N/A	ELBOW 1/8"-4 B5	1,00	01/03/2015		--
0022	RCVR40126	N/A	BI-CONE CONNec. T 1/8" M/F D. 4/ 6C NK.	1,00	01/11/2013	28/02/2015	--
0022	RCVR89230	N/A	CAP G 1/8 M C/O-RING.	1,00	01/07/2013	28/02/2015	--
0023	MECB34463	N/A	CABLE BT L=800 SP. FD	1,00			--
0024	MECV35335	N/A	CABLE A.T. 9,8-23KOHM/M L= 500P	2,00			--
0025	TBCO40057	N/A	DIESEL HOSE PW-H35/7.5 30MT D. 4 IX	1,00			--



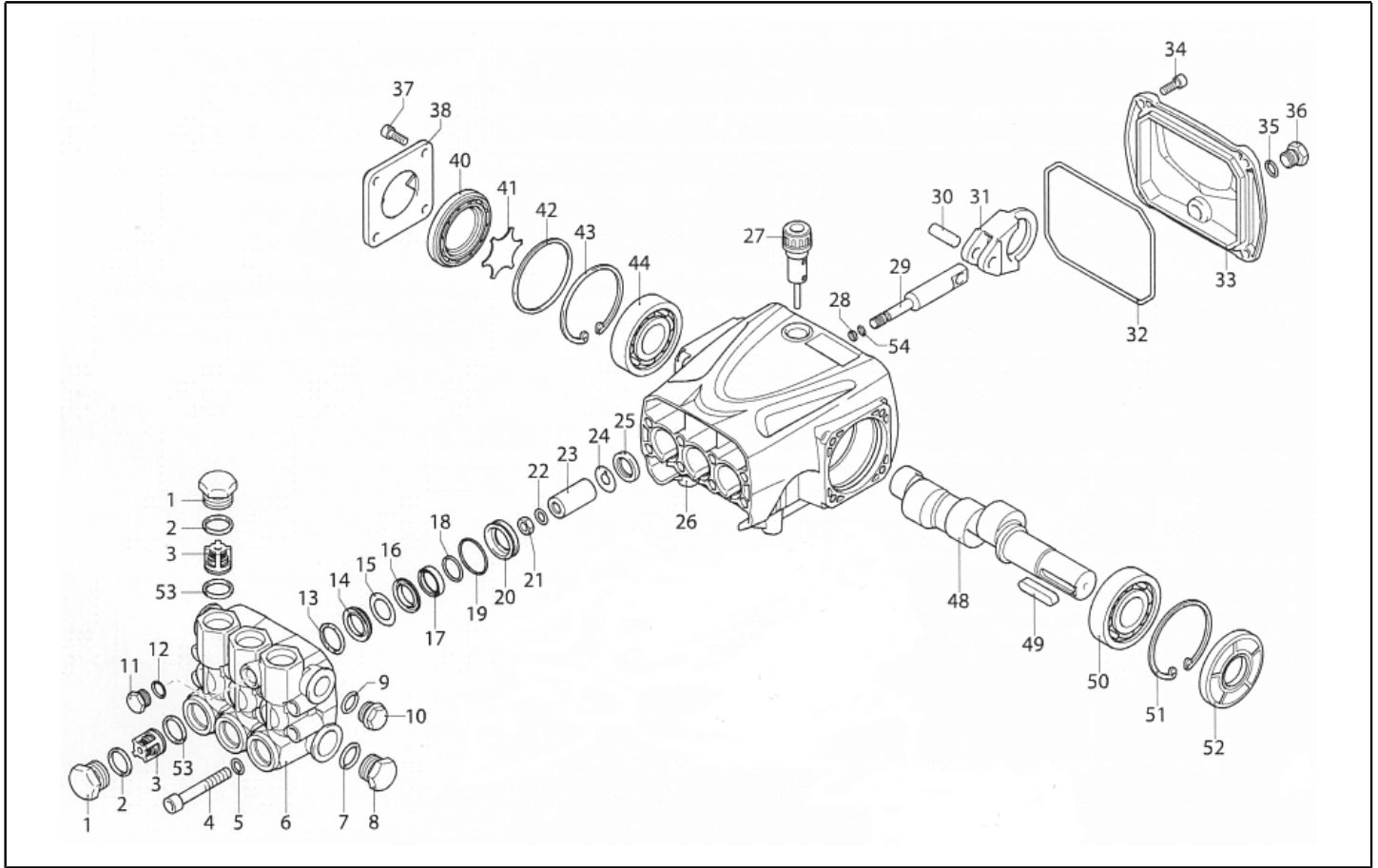
Ref. K	Part N.	Part N. 2	Description	Quantity	Validity		Price
					From	To	
0001	MPVR40665	N/A	SCROLL CB4 -2PZ.GR.	1,00			--
0002	VEVR34275	N/A	IMPELLER D.160-80 D.12.7 36P B.SX	1,00			--
0003	MOMB40014	N/A	BURNER MOTOR 230-60 IP44 200W AO/2	1,00			--
0004	FGGT36513	N/A	JOINT HP 0.25 AACO	1,00			--
0005	PPGS40010	N/A	FUEL PUMP DNF BFA 01L3R1	1,00			--
0006	VTRS04931	N/A	WASHER COPPER D.13X19X1.5	1,00			--
0007	RCDS00626	N/A	HOSE FITTING 1/4 M D. 5- 7	1,00			--
0008	FSVR00427	N/A	CLAMP D. 12 CLIC 66-110	2,00			--
0009	TBCO06945	N/A	L.P. HOSE D. 6-12 10BAR C.PRESS	0,70			--
0009	TBCO06945	N/A	L.P. HOSE D. 6-12 10BAR C.PRESS	0,43			--
0010	FSVR11197	N/A	CLAMP D.12.9-13.6	2,00			--
0011	FTCO10912	N/A	FILTER FB 13/T NYL.	1,00			--
0013	MECB46130	N/A	CABLE DLT L=1100	1,00			--
0014	RCVR14014	N/A	BI-CONE CONNEC. DTT 1/8" M B1 D. 2/ 4 NIK	1,00			--
0015	MPVR88426	N/A	CONVEYOR P176 PA6 BK.	1,00			--
0017	MPVR40014	N/A	CONVEYOR CB4-FBX PA6	1,00			--
0019	GUVR40009	N/A	SLEEVE SLV H=130	1,00			--
0019	FSVR01873	N/A	CLAMP LG 31920 9 X500	2,00			--
0021	LAFN10272	N/A	MOTOR PLATE CB 3	1,00			--



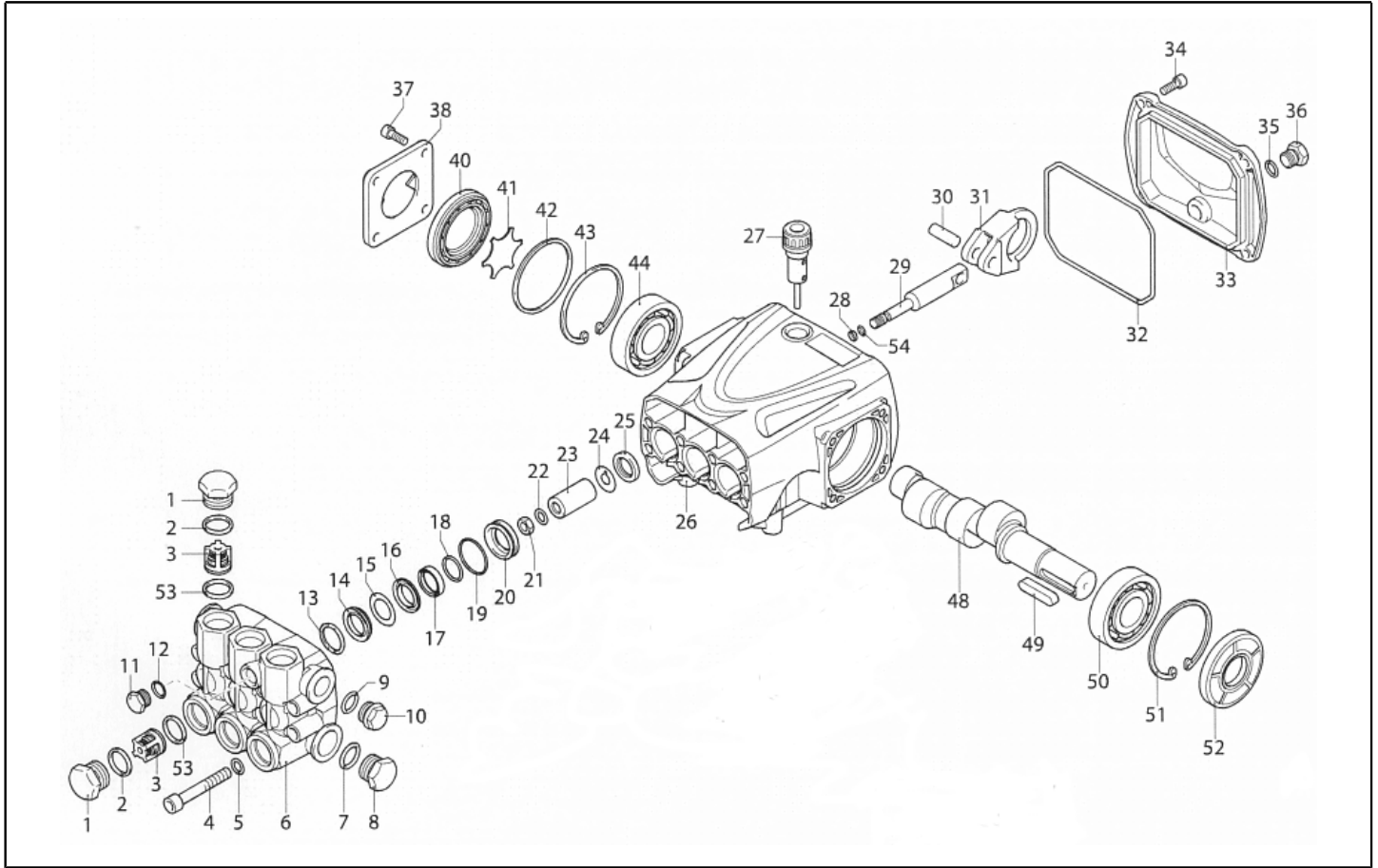
Ref. K	Part N.	Part N. 2	Description	Quantity	Validity		Price
					From	To	
F	MEVR00237	N/A	FUSE 5X20 3,15A	1,00			--
K	METT40010	N/A	CONTACTOR SIE 3RT 2017-1AB01 24V	1,00			--
EC	MECE40024	N/A	PCB PW-H35 TSI+CO+VRT MST-H	1,00			--
EV	MEBE43704	N/A	COIL DNF 24-50	1,00			--
IG	MECI40017	N/A	COMMUTAT.SWITCH 0-1-2 UN.	1,00			--
TA	METR88630	N/A	TRANSFORMER 23/240V-5/60HZ 2X26KV TR.	1,00			--
TH	METK40011	N/A	THERMOSTAT 0-150° L=1500 F&C	1,00			--
TR	METR40012	N/A	TRANSFORMER 25VA 230-400/24 5/60HZ FS	1,00			--
TS	METK34839	N/A	THERMOSTAT 60°C TR/711-N C.1.5	1,00			--
CV1	MECB17414	N/A	CABLE H07 RNF 4X2.5 L=6.500	1,00			--
CV1	MEVR01893	N/A	PLUG WMX 16A 3P+T 380 V T.2130	1,00			--
CV1	MEVR01891	N/A		1,00			--
P1,2	MEPF76254	N/A	PRESSURE SWITCH PR 5 1/4M 25BAR	2,00			--



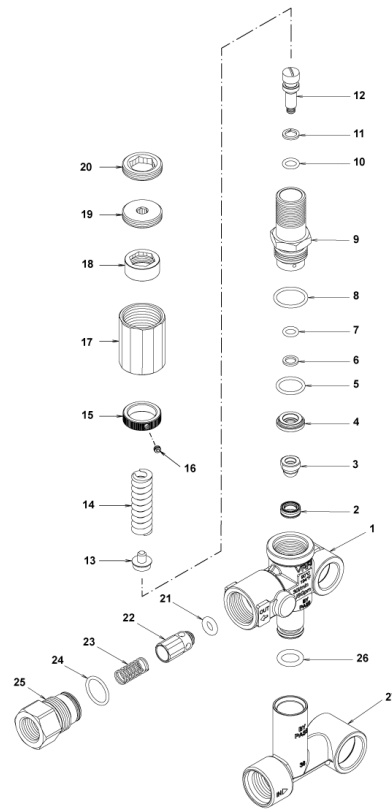
Ref. K	Part N.	Part N. 2	Description	Quantity	Validity		Price
					From	To	
0001	PVVR40161	N/A	CAP AR RR	6,00			--
0002	GUGO03502	N/A	O-RING D. 17.86 X 2.62 NBR 70SH	6,00			--
0003	S VVAM40003	N/A	VALVE UNIT RR	6,00			--
0004	VTVT63018	N/A	SCREW TCEI M 8X55 ZC U.5931	8,00			--
0005	VTRS14242	N/A	WASHER D. 8.4X13X0.8 UNI7064 SCH	8,00			--
0006	MFVR40028	N/A	HEAD AR RR OT.	1,00			--
0007	GUGO19245	N/A	O-RING D. 17.5 X 2 NBR 70SH	1,00			--
0008	PVVR40121	N/A	CAP 1/2 M RC	1,00			--
0009	GUGO09720	N/A	O-RING D. 14 X 1.78 NBR 70SH	1,00			--
0010	PVVR40099	N/A	CAP 3/8 M HRM	1,00			--
0011	PVVR40129	N/A	CAP 1/4 M RC	1,00			--
0012	GUGO01036	N/A	O-RING D. 10.82 X 1.78 NBR 70SH	1,00			--
0013	S PVVR40122	N/A	HEAD RING D. 18 RC	3,00			--
0014	S GUVR40035	N/A	PACKING D. 18 RC H.P.	3,00			--
0015	S GUVR40043	N/A	ANTI-EXTR.RING D.18X28	3,00			--
0016	S PVVR40162	N/A	INTERMED. RING D. 18 RR	3,00			--
0017	S GUVR40036	N/A	PACKING D. 18 RC L.P.	3,00			--
0018	S GUVR40037	N/A	ANTI-EXTR.RING D.21	3,00			--
0019	S GUGO19290	N/A	O-RING D. 23.52 X 1.78 NBR 70SH	3,00			--
0020	S PVVR40163	N/A	PACKING RETAIN. D. 18 RR	3,00			--
0021	VTDD00483	N/A	NUT M 8 ZIN UNI 5588	3,00			--
0022	VTRS19394	N/A	WASHER D. 8X13X0.5	3,00			--
0023	S PIVR40007	N/A	PISTON D.18 RR	3,00			--
0024	PVVR19233	N/A	DISC XTS	3,00			--
0025	S GUGO09690	N/A	OIL SEAL 15X 24X 5 NBR70	3,00			--
0026	MFVR40030	N/A	PUMP CRANKCASE AR RR	1,00			--
0027	PVVR19231	N/A	OIL CAP XTS	1,00			--
0028	GUGO08071	N/A	O-RING D. 4.48 X 1.78 NBR 70SH	3,00			--
0029	PVVR40176	N/A	PISTON GUIDE RR	3,00			--
0030	PVVR40178	N/A	GUDGEON D. 9 RR	3,00			--
0031	BLVR40002	N/A	CONNECTING ROD RR	3,00			--
0032	GUGO40017	N/A	O-RING D. 107.62 X 2.62 NBR 70SH	1,00			--
0033	MFVR40029	N/A	CRANKASE COVER AR RR	1,00			--
0034	VTVT09913	N/A	SCREW TCEI 6X16 UNI5931	4,00			--
0035	GUGO01036	N/A	O-RING D. 10.82 X 1.78 NBR 70SH	1,00			--
0036	PVVR40129	N/A	CAP 1/4 M RC	1,00			--
0037	VTVT09913	N/A	SCREW TCEI 6X16 UNI5931	4,00			--
0038	MFVR40021	N/A	CRANKASE COVER AR RC LT.	1,00			--
0040	PVVR40179	N/A	OIL INDICATOR RR	1,00			--
0041	PVVR40125	N/A	DISC RC	1,00			--
0042	GUGO09030	N/A	O-RING 56X82 X2.62 - NBR	1,00			--
0043	VTAE10405	N/A	CIRCLIP D. 62 UNI 7437	1,00			--
0044	CUVR09654	N/A	BALL BEARING 6305	1,00			--
0048	ALMO40034	N/A	SHAFT AR RR 13LT VRS. N	1,00			--



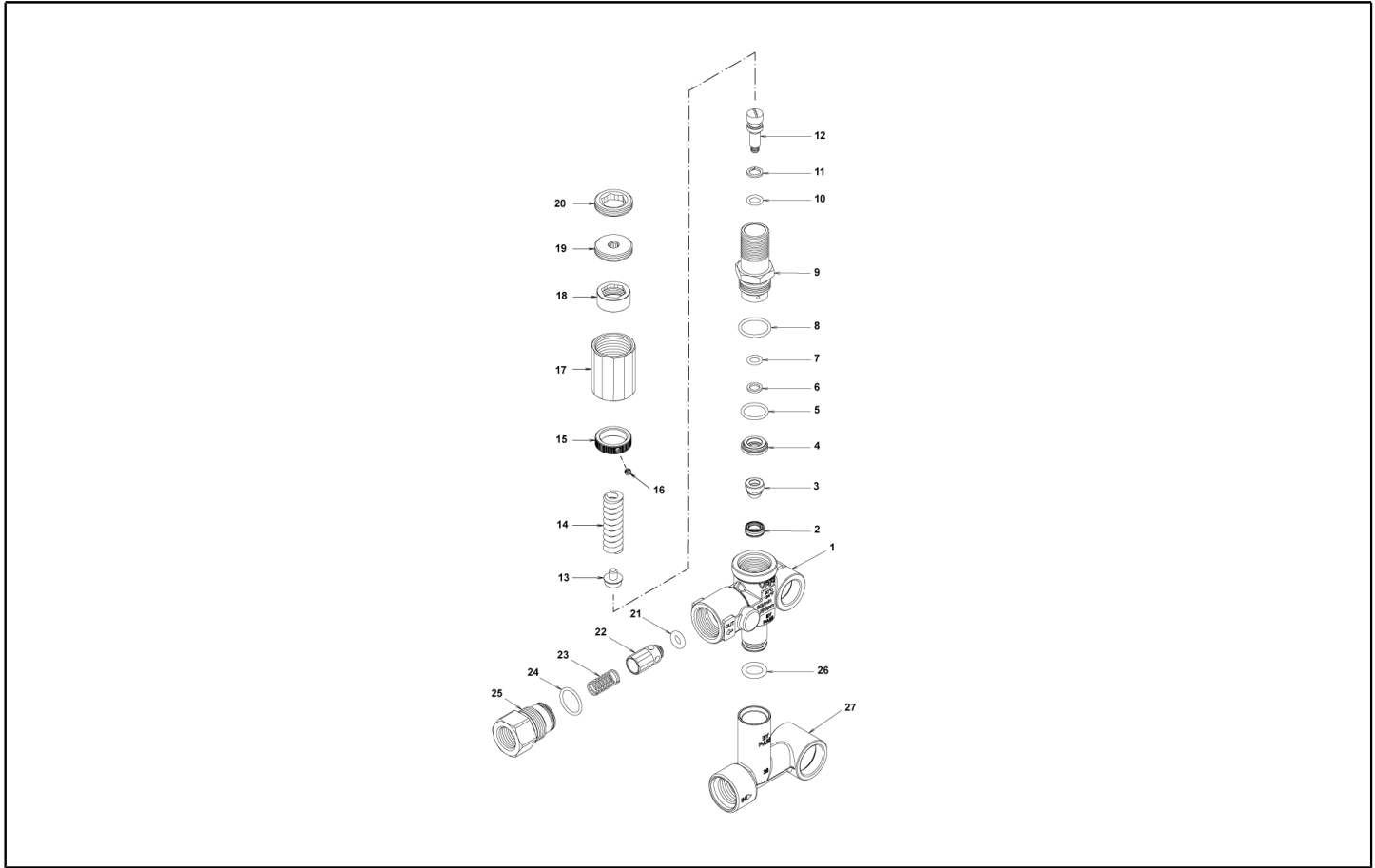
Ref. K	Part N.	Part N. 2	Description	Quantity	Validity		Price
					From	To	
0049	VTVR41531	N/A	KEY 8X 7X35 UNI 6604A	1,00			--
0050	CUVR09654	N/A	BALL BEARING 6305	1,00			--
0051	VTAE10405	N/A	CIRCLIP D. 62 UNI 7437	1,00			--
0052	S GUGO40018	N/A	OIL SEAL 25X 62X 8 NBR70	1,00			--
0053	S GUGO02259	N/A	O-RING D. 15.54 X 2.62 NBR 70SH	6,00			--
0054	GUVR40044	N/A	ANTI-EXTR.RING D. 5 X 8 X1	3,00			--



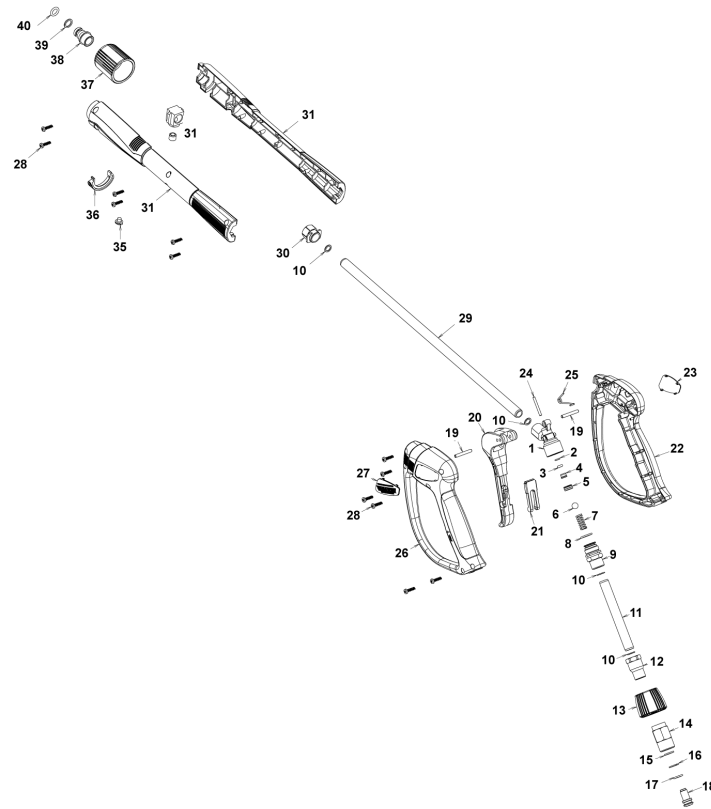
Ref. Part N.	Cust. Part N.	Description	Reference	Price
KTRI40095		KIT P 15-42903 D.18 RC	0013	--
KTRI40142		KIT P 15-42909 RR	0003 0053	--
KTRI40143		KIT P 15-42904 D.18 RR	0023	--
KTRI40144		KIT P 15-42922 RR	0025 0052	--
KTRI40145		KIT P 15-42924 D.18 RR	0014 0015 0017 0018 0019	--
KTRI40146		KIT P 15-42923 D.18 RR	0016 0020	--



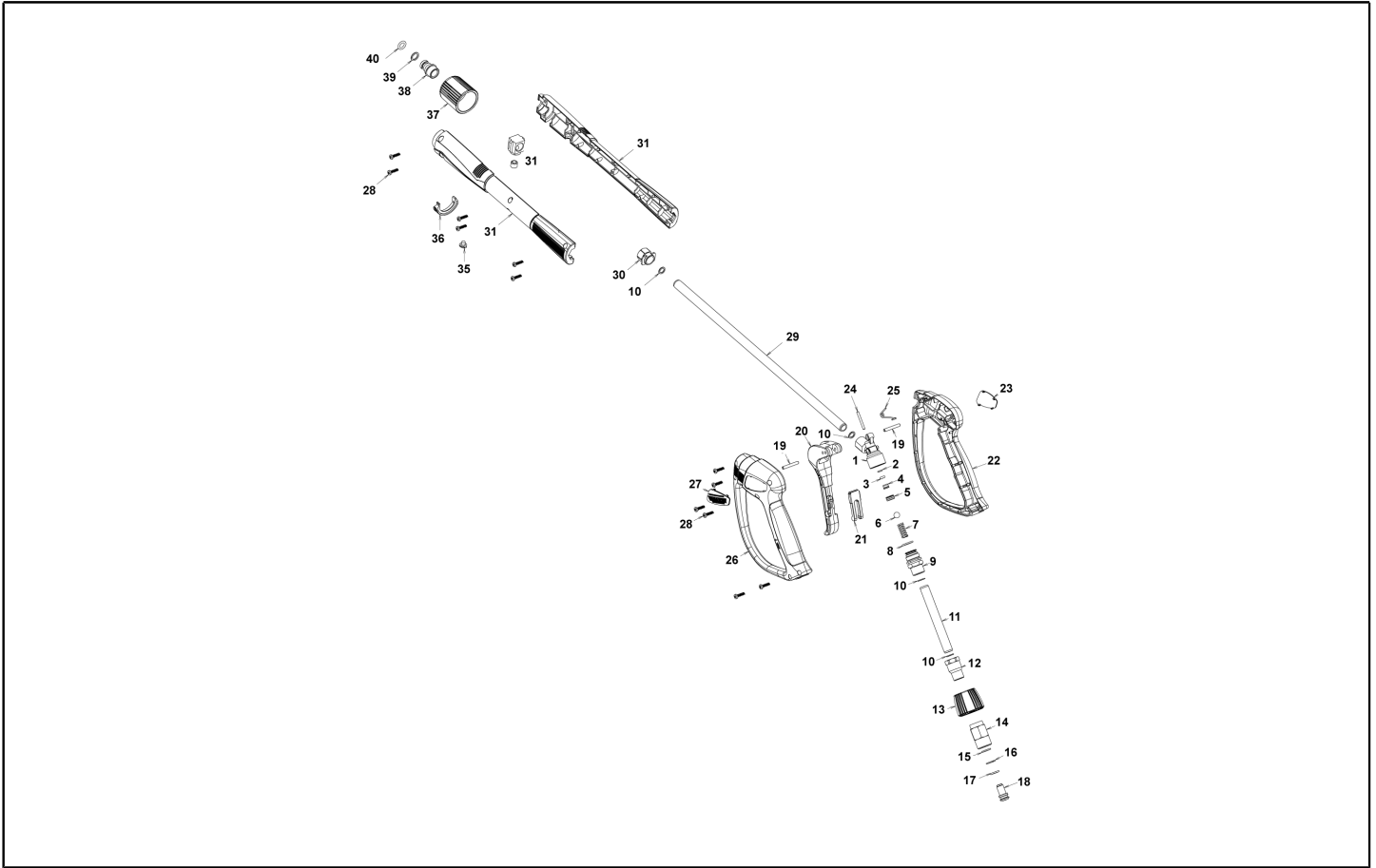
Ref. K	Part N.	Part N. 2	Description	Quantity	Validity		Price
					From	To	
0001	PVVR40362	N/A	VALVE BODY VRF2	1,00			--
0002	S PVVR40363	N/A	VALVE SEAT MV124 +OR	1,00			--
0003	S PVVR40364	N/A	COUPLING MV124	1,00			--
0004	S PVVR40365	N/A	SPACER MV124	1,00			--
0005	S GUGO12322	N/A	O-RING D. 14 X 1.78 NBR 90SH	1,00			--
0006	S GUVR40072	N/A	ANTI-EXTR.RING D. 6.5X 9.4	1,00			--
0007	S GUGO83861	N/A	O-RING D. 6.07 X 1.78 NBR 90SH	1,00			--
0008	S GUGO24913	N/A	O-RING D. 17.17 X 1.78 NBR 90SH	1,00			--
0009	S PVVR40388	N/A	CONNECTOR VRF2 RG.165 56A	1,00			--
0010	S GUGO03500	N/A	O-RING D. 6.75 X 1.78 NBR 70SH	1,00			--
0011	S GUVR40073	N/A	ANTI-EXTR.RING D. 7.1X10 X1.2 TBT	1,00			--
0012	S PVVR40367	N/A	SMALL PISTON D.10 VRF2	1,00			--
0013	S PVVR40368	N/A	SPRING PLATE MV124 25B	1,00			--
0014	S MLML47987	N/A	SPRING D. 3.25X41.1 MV 625	1,00			--
0015	S PVVR40369	N/A	RING NUT MV167.09	1,00			--
0016	S VTVT89696	N/A	SCREW EI-ST 4X 4 UNI5927 ZC	1,00			--
0017	S PVVR47989	N/A	CAP MV 625 REG.	1,00			--
0018	S PVVR47990	N/A	RING NUT MV 625 REG.	1,00			--
0019	S PVVR47991	N/A	REGISTER MV 625 REG.	1,00			--
0020	S PVVR47992	N/A	CLAMP MV 625 REG.	1,00			--
0021	S GUGO46053	N/A	O-RING D. 6 X 3 NBR 90SH	1,00			--
0022	PVVR40349	N/A	COUPLING VRT3	1,00			--
0023	MLML40026	N/A	SPRING VRT3	1,00			--
0024	S GUGO12321	N/A	O-RING D. 15.6 X 1.78 NBR 90SH	1,00			--
0025	PVVR40350	N/A	CONNECTOR VRT3 G 3/8F	1,00			--
0026	GUGO11225	N/A	O-RING D. 10.78 X 2.62 NBR 70SH	1,00			--
0027	PVVR40373	N/A	CONNECTOR VRF2.24	1,00			--



Ref. Part N.	Cust. Part N.	Description	Reference	Price
KTRI40256		KIT P 14-105 VRF2 Reg.	0002 0003 0004 0005 0006 0007 0008 0009 0010 0011 0012 0013 0014 0015 0016 0017 0018 0019 0020	--
KTRI40237		KIT P 14-104 SEAL VRF2	0002 0003 0005 0006 0007 0008 0010 0011 0021 0024	--



Ref. K	Part N.	Part N. 2	Description	Quantity	Validity		Price
					From	To	
0001	PVVR40381	N/A	GUN BODY G 5100 G1/4F	1,00			--
0002	S GUVR40074	N/A	ANTI-EXTR.RING D. 3 X 7.4X1.3	1,00			--
0003	S GUGO21835	N/A	O-RING D. 2.84 X 2.62 VIT. 80SH	1,00			--
0004	PVVR40382	N/A	PISTON GUIDE G 5100	1,00			--
0005	S PVVR40563	N/A	BALL SEAT AL36 G6000 + OR	1,00			--
0006	S SFVR40004	N/A	BALL D. 5/16" ALL.GR16	1,00			--
0007	MLML40047	N/A	SPRING D. 9.4 x23.5x1.6 G6000	1,00			--
0008	GUGO12322	N/A	O-RING D. 14 X 1.78 NBR 90SH	1,00			--
0009	PVVR40383	N/A	CONNECTOR COLL.G5100 1/4F	1,00			--
0010	VTRS40017	N/A	WASHER D. 8,2X11,4X1,00	4,00			--
0011	PVVR40384	N/A	TUBE G 1/4" L.105	1,00			--
0012	RCIN40022	N/A	CONNECTOR SWIV G5100 1/4F	1,00			--
0013	MPVR40967	N/A	RING NUT G 6000 SW. GR.	1,00			--
0014	RCIN40021	N/A	JOINT SWIV 5100 M22	1,00			--
0015	S GUVR40075	N/A	ANTI-EXTR.RING D. 10 X14X1.5	1,00			--
0016	S GUVR40076	N/A	ANTI-EXTR.RING D. 11.2X14X1.2	1,00			--
0017	S GUGO15295	N/A	O-RING D. 10.82 X 1.78 VIT 75SH	1,00			--
0018	PVVR40386	N/A	SCREW SW. G 5100	1,00			--
0019	VTVR40047	N/A	PLUG D. 4X29	2,00			--
0020	MPVR40820	N/A	TRIGGER G 6000-SW	1,00			--
0021	MPVR40821	N/A	SAFETY-DEVICE G 6000-SW	1,00			--
0022	MPVR40822	N/A	SHELL G 6000-SW DX	1,00			--
0023	MPVR40968	N/A	PLATE G 6000/2 GR.DX	1,00			--
0024	PVVR40564	N/A	SMALL PISTON G 6000 AL36 SP.	1,00			--
0025	MLML40029	N/A	SPRING G 5100	1,00			--
0026	MPVR40824	N/A	SHELL G 6000-SW SX	1,00			--
0027	MPVR40825	N/A	PLATE G 6000 GR.SX	1,00			--
0028	VTVT40043	N/A	SCREW AF 4X 14 HILO ZN.N	12,00			--
0029	LCPR40086	N/A	TUBE 1/4 L=420 ZC. 0°	1,00			--
0030	MPVR40493	N/A	CONNECTOR G 5100-SW	1,00			--
0031	MPVR40494	N/A	PROTECTION P 420 C/AN.	1,00			--
0035	MPVR40198	N/A	CAP G 5000	1,00			--
0036	MPVR40495	N/A	CAP G 5100 REM.	1,00			--
0037	PVVR40119	N/A	CONNECTION M22X1,5 IRV G5000	1,00			--
0038	RCIN40009	N/A	GUDGEON G 1/4 F IRV G5000	1,00			--
0039	GUVR40034	N/A	ANTI-EXTR.RING D. 10 X14	1,00			--
0040	GUGO01946	N/A	O-RING D. 9.13 X 2.62 VIT 70SH	1,00			--



Ref. Part N.	Cust. Part N.	Description	Reference	Price
KTRI40243		KIT P 26- 26 SWIVEL G 5100	0015 0016 0017	--
KTRI40513		KIT P 26- 36 G 6000/II	0002 0003 0005 0006	--